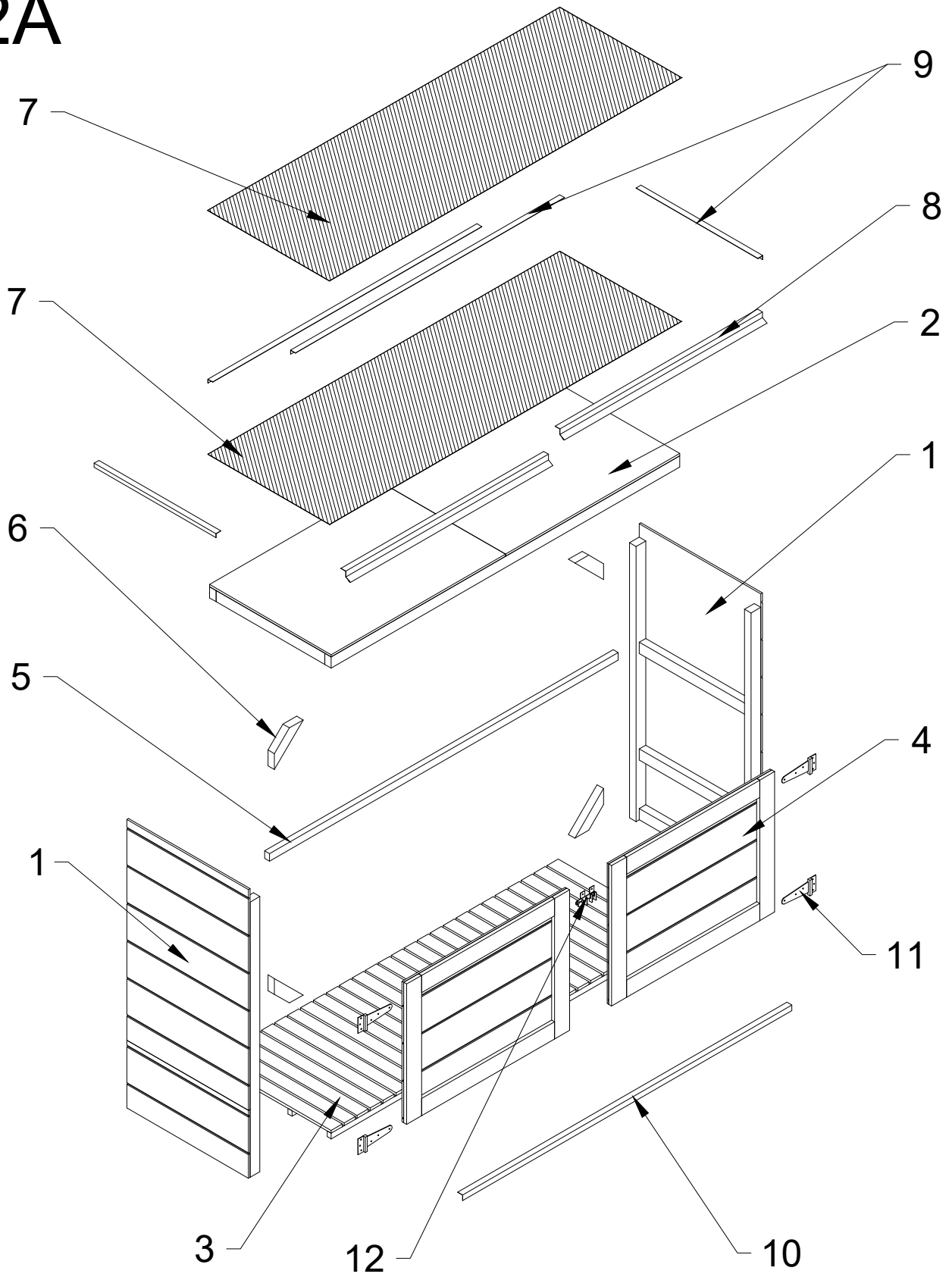

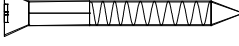

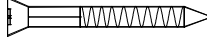

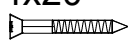


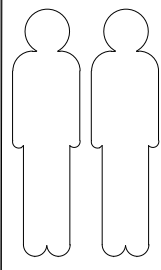

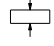
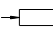


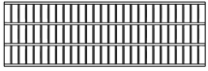
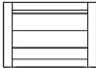


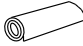
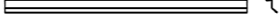
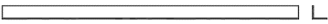

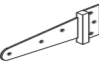





M982A

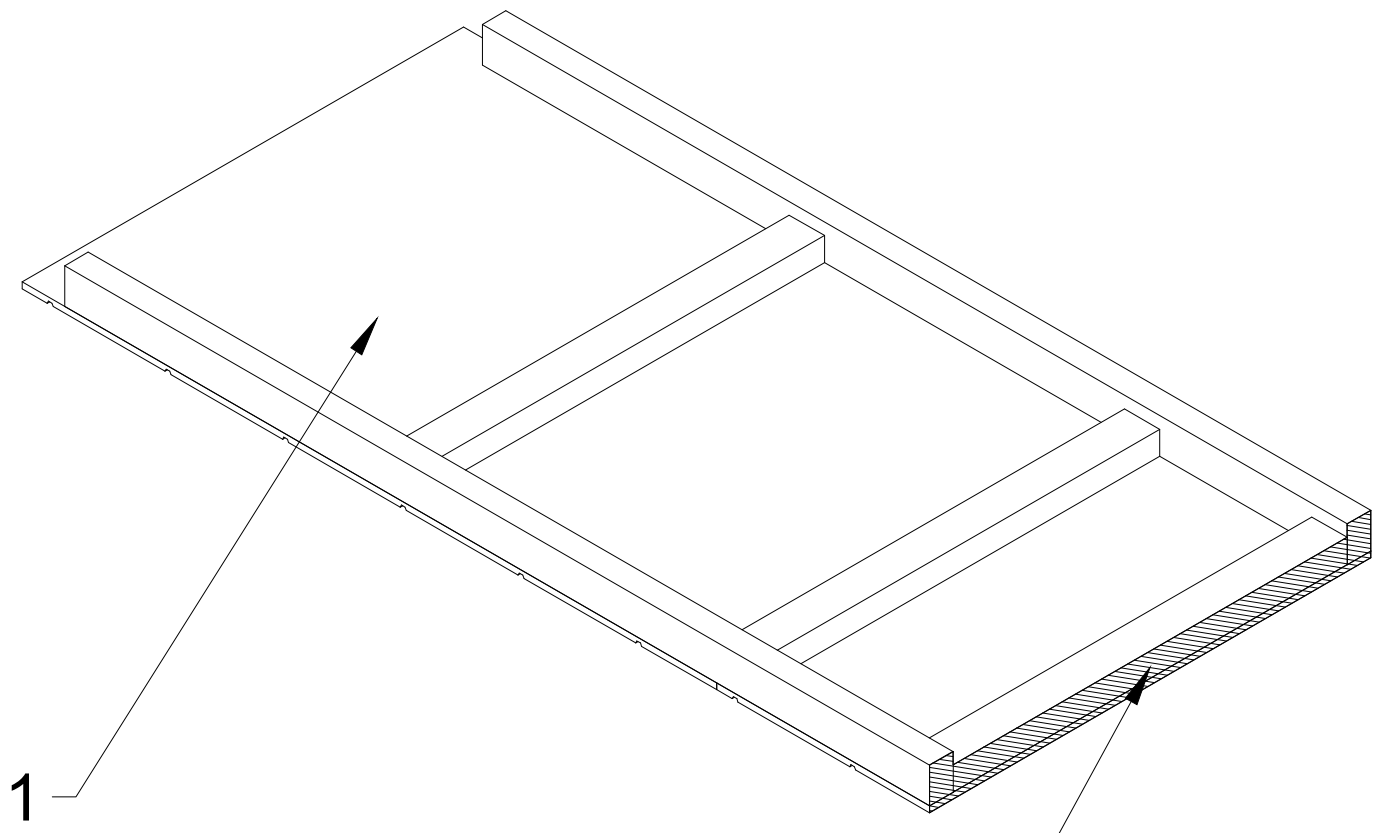


- | | | | |
|----------|---|----------------|---|
| A |  | 5x100 T25 x 16 |  |
| B |  | 4x60 T20 x 12 |  |
| C |  | 4x20 T20 x 16 |  |
| D |  | 4x40 T20 x 42 |  |



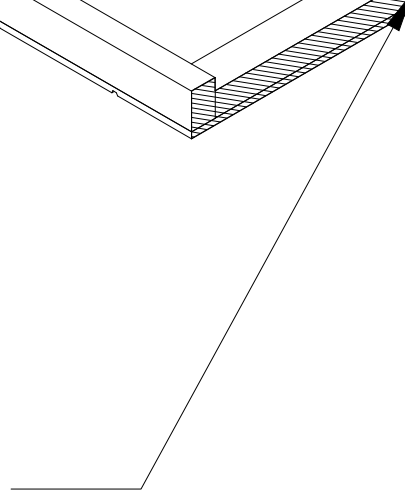
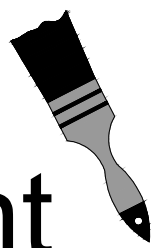
№		PCS	 mm	 mm	 mm
1		2		750	1542
2		1		750	2150
3		1		750	2150
4		2		1005	750
5		1	30	60	2150
6		4	40	60	250
7		2		780	2200
8		2			1250
9		3			1660
10		1			2030
11		4			
12		1			
13		1		T25	
14		1		T20	

1

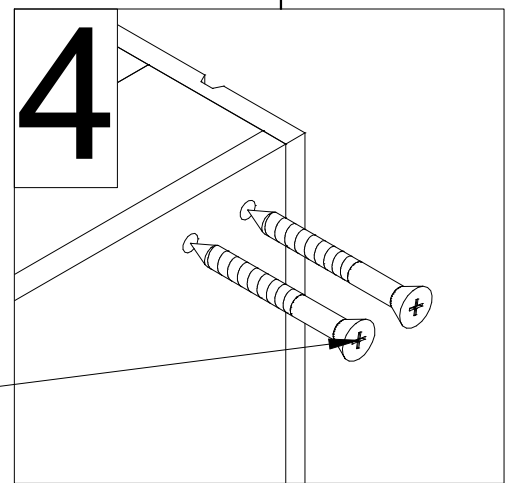
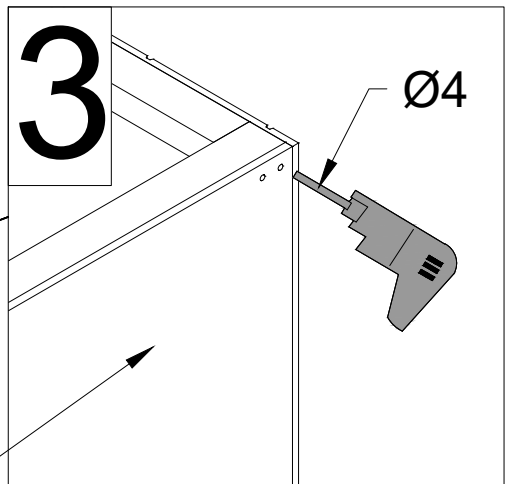
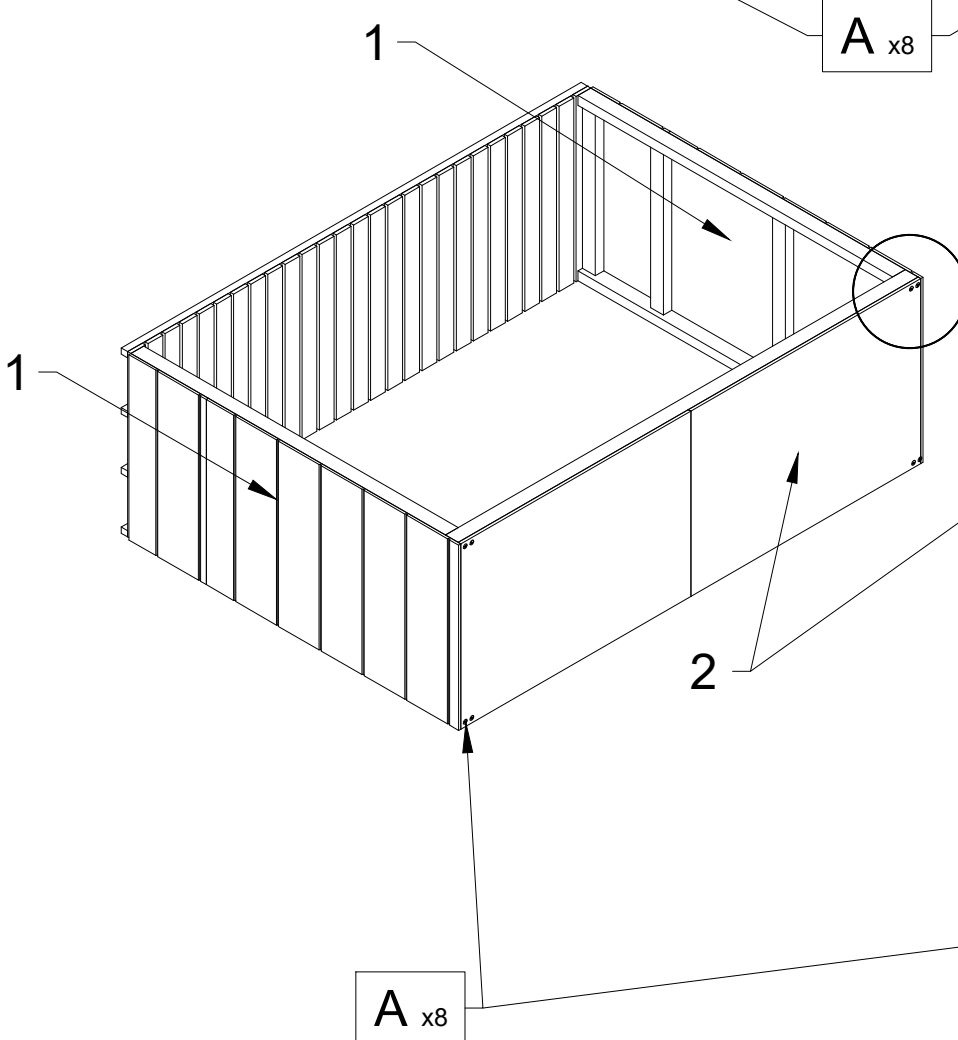
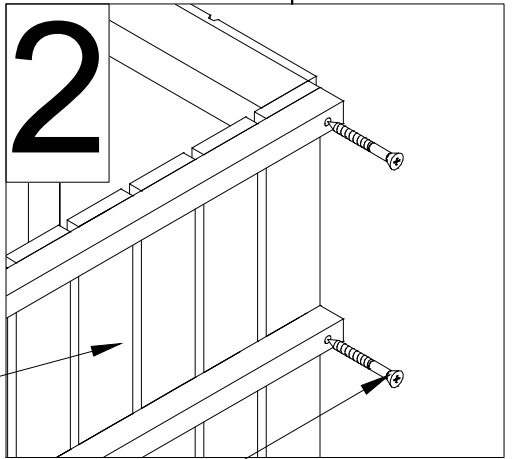
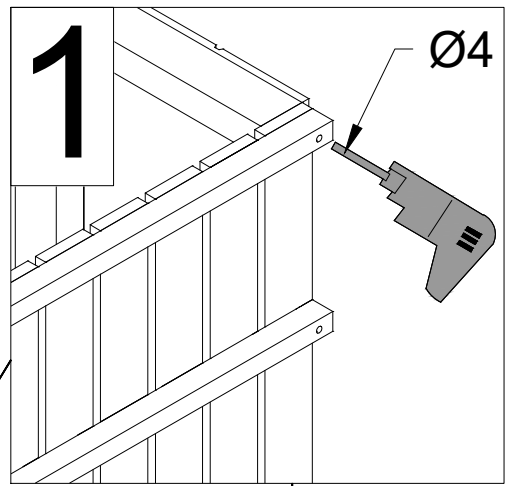
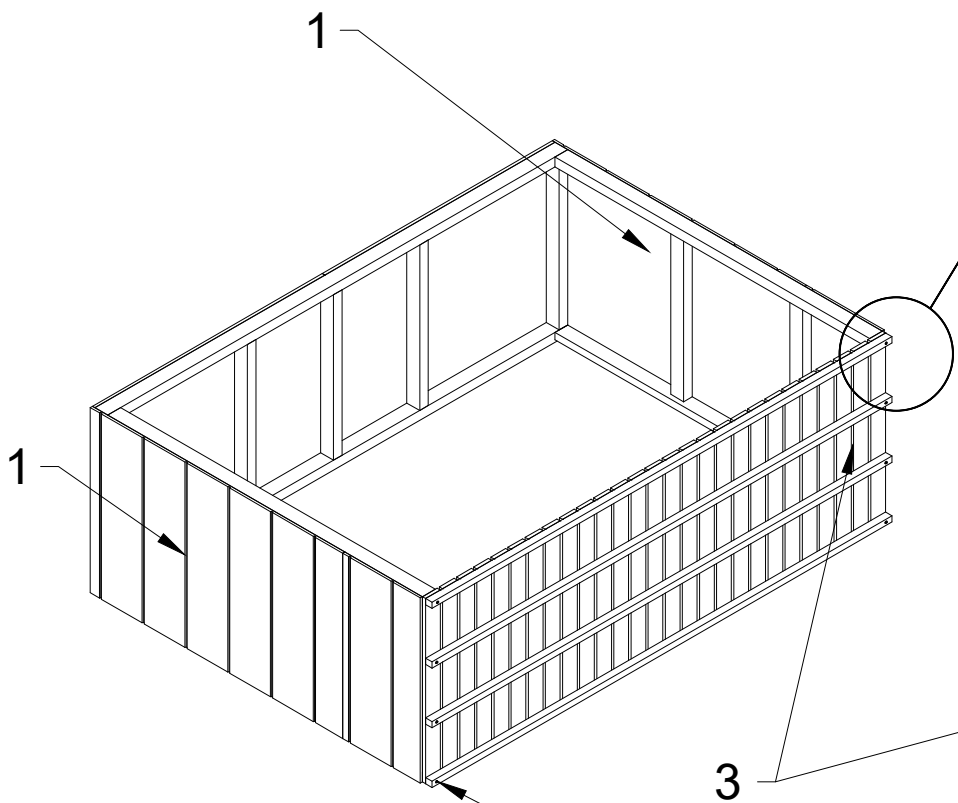


1

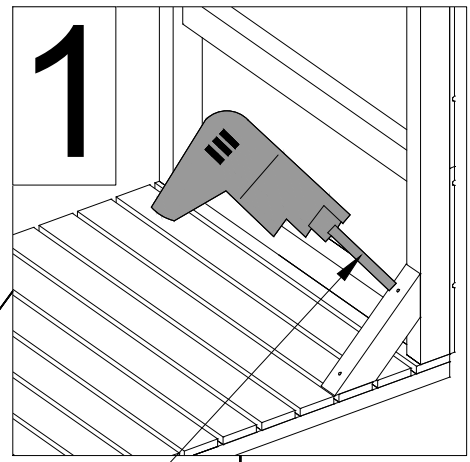
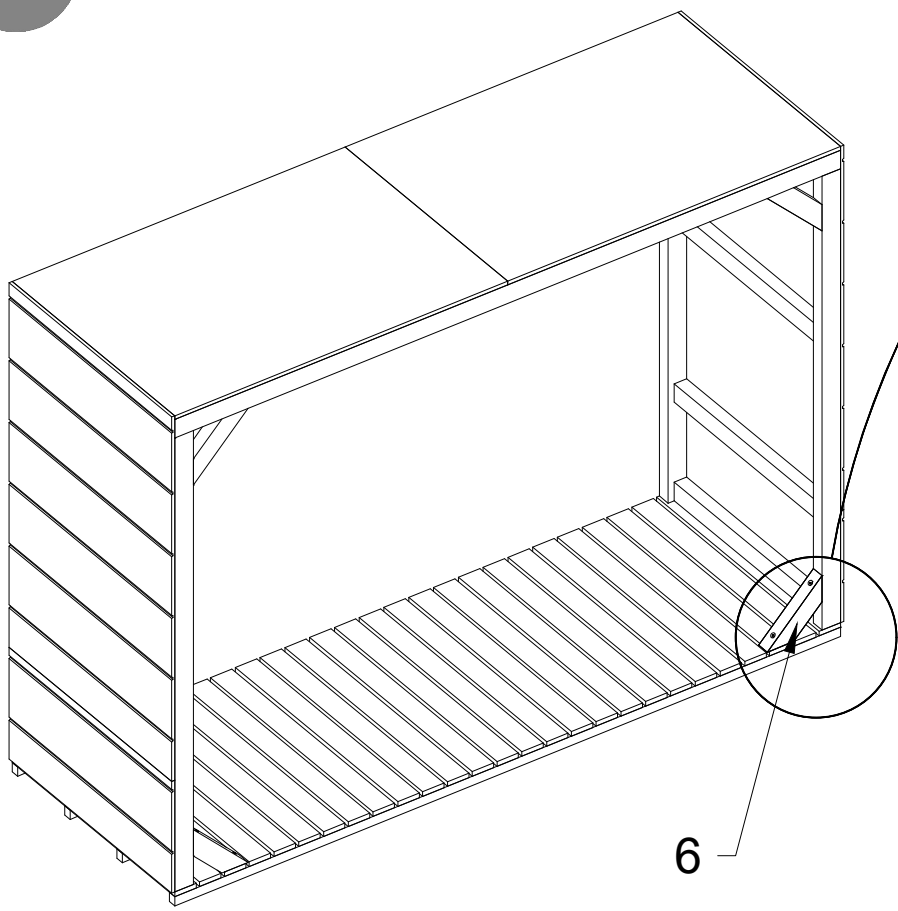
Paint



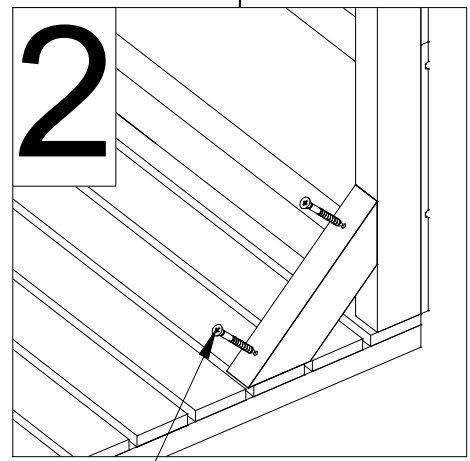
2



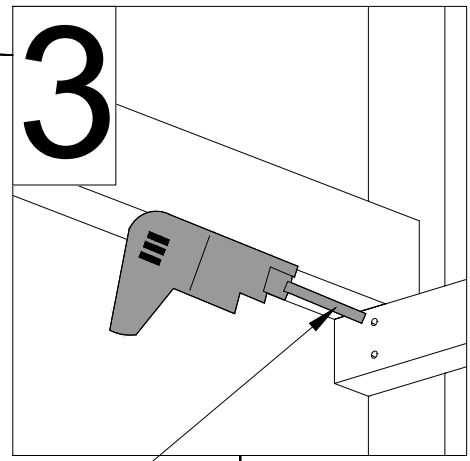
3



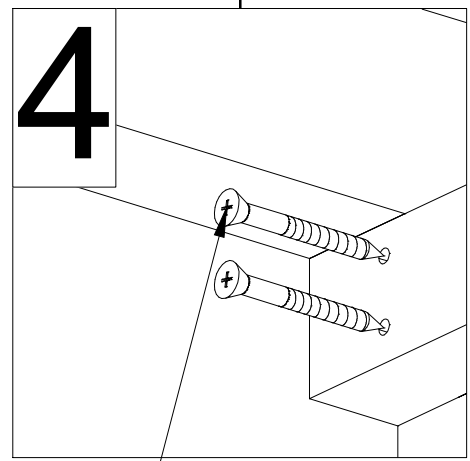
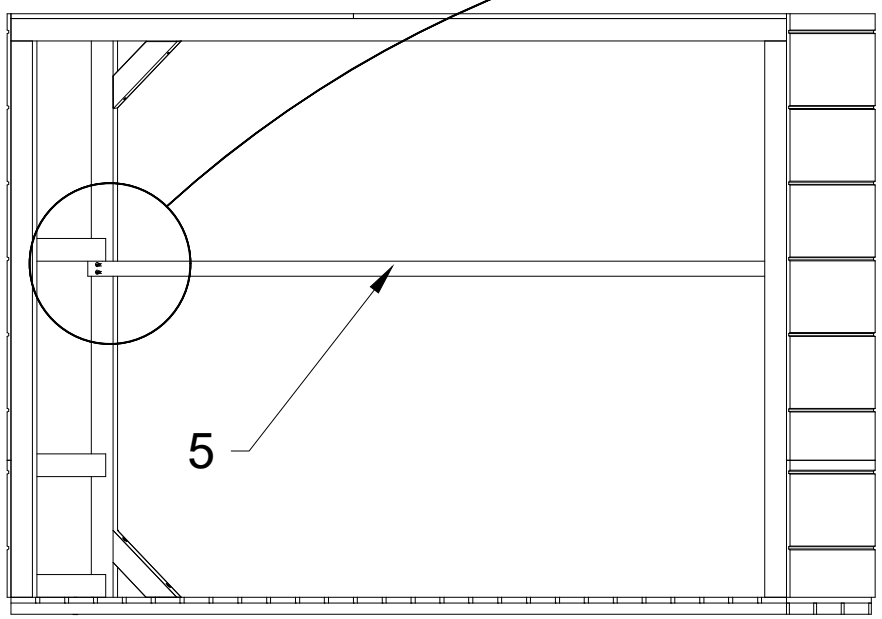
Ø4



B x8

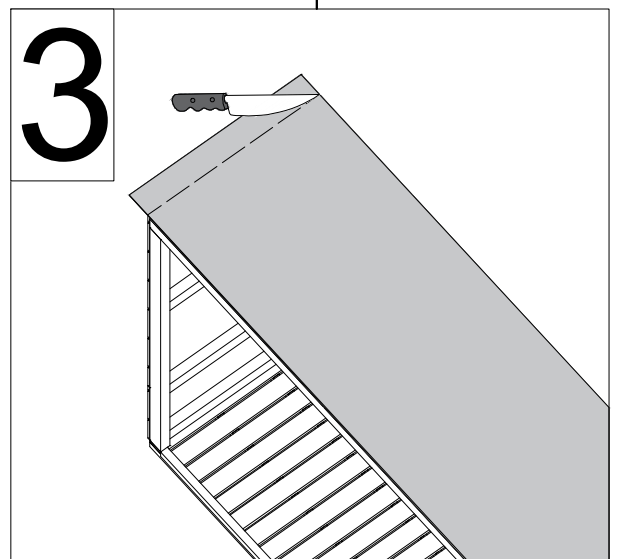
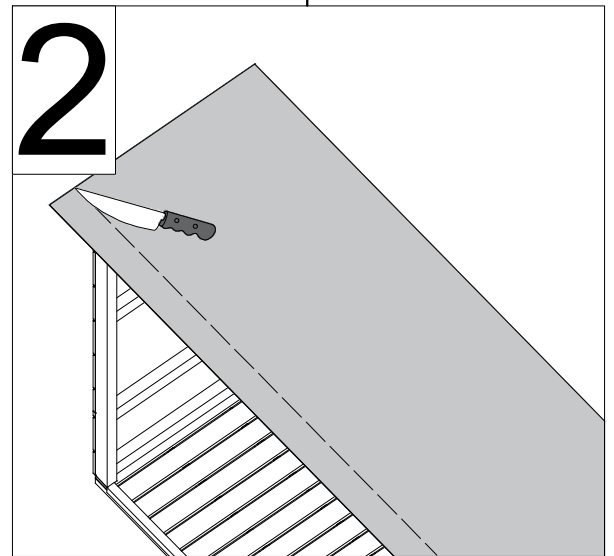
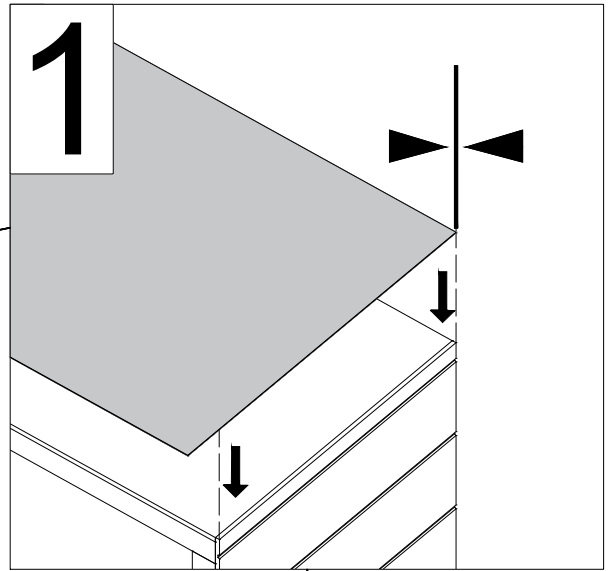
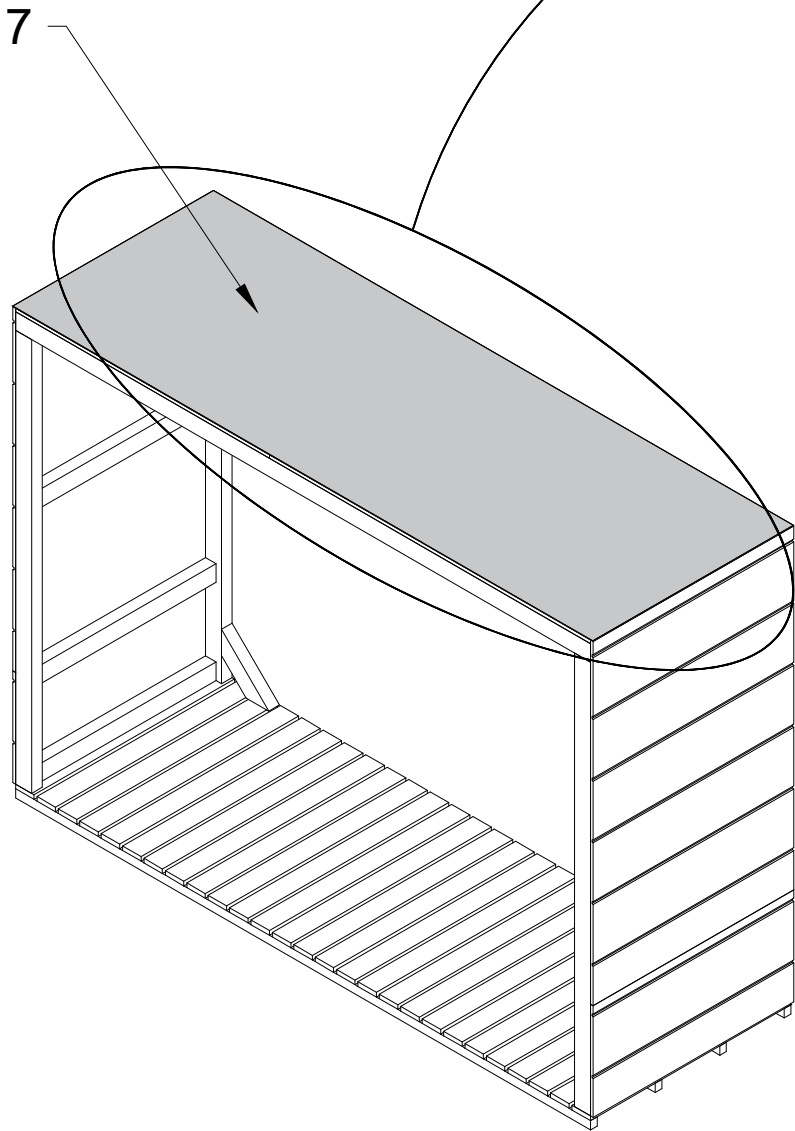


Ø4

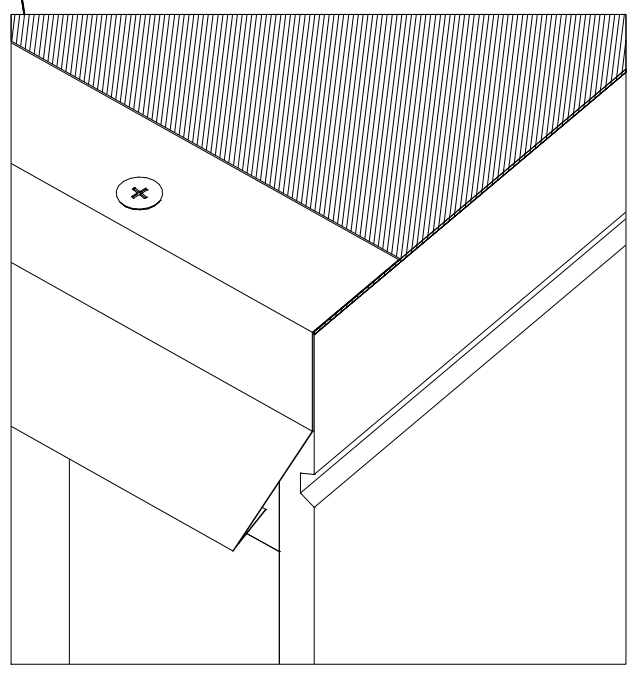
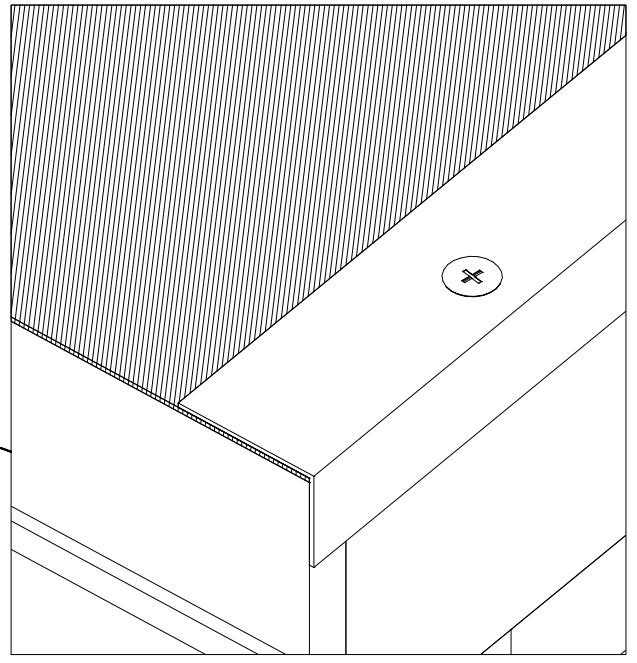
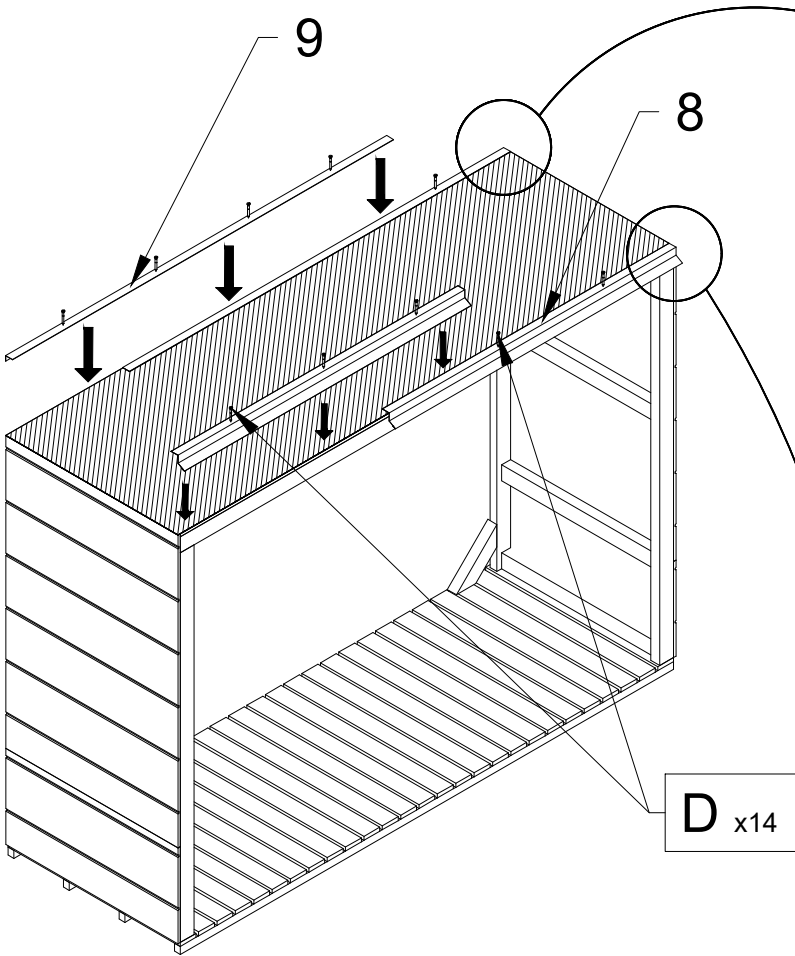


B x4

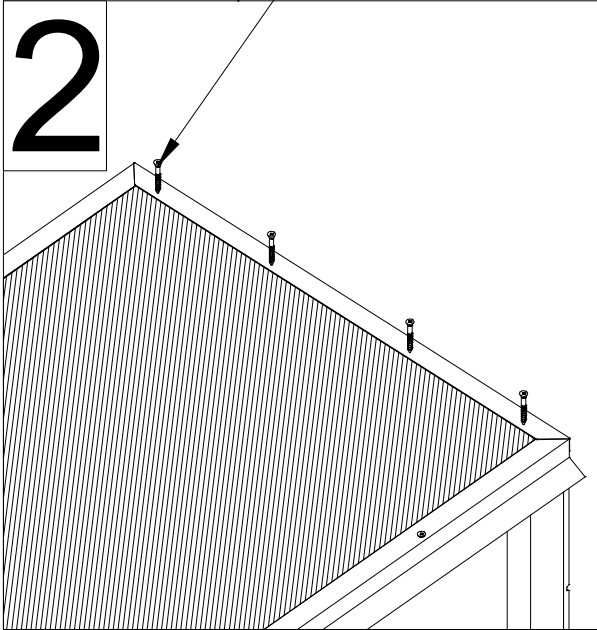
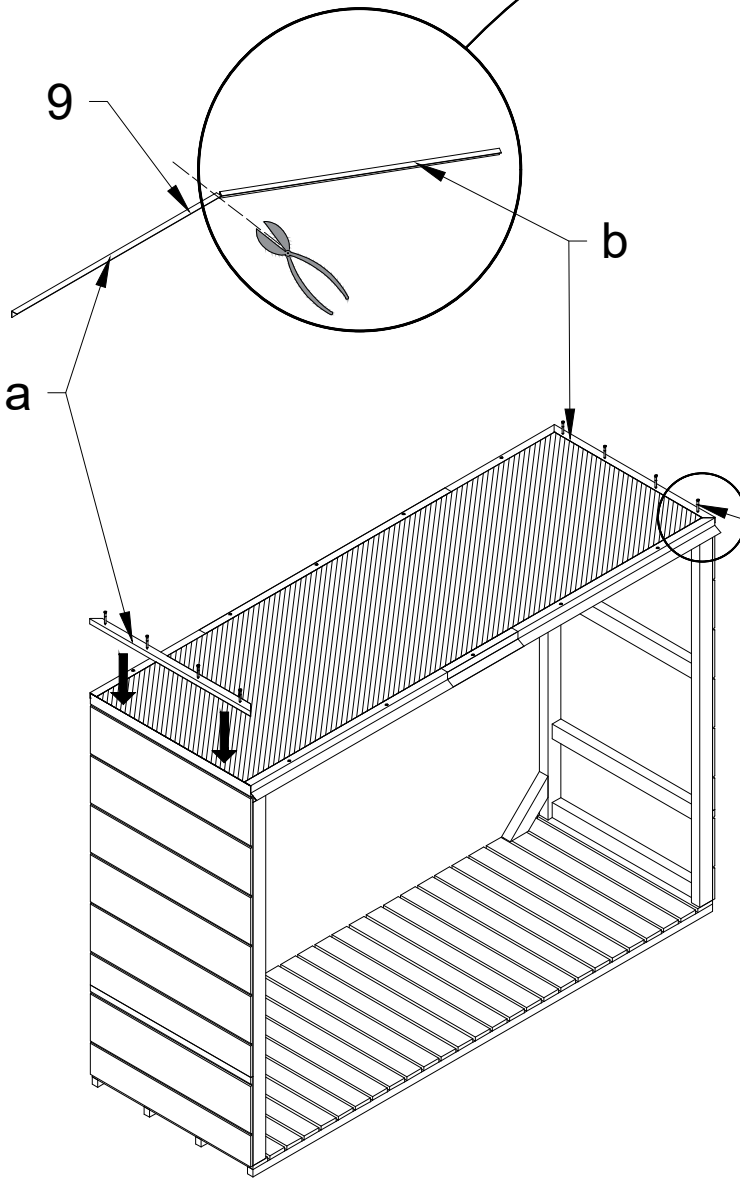
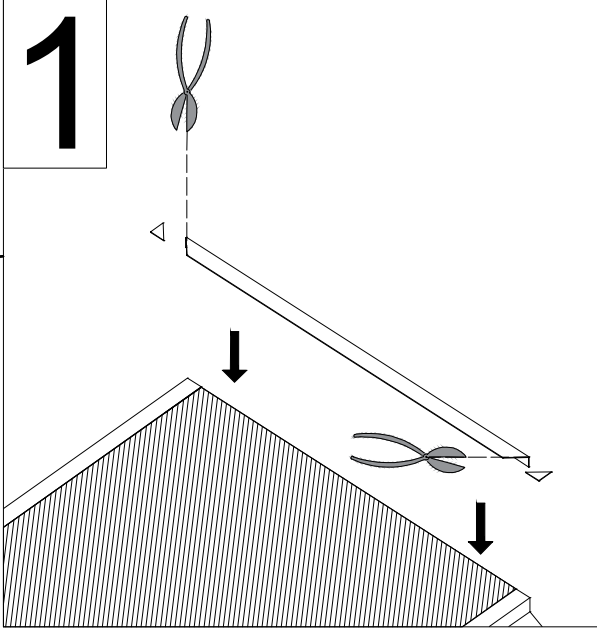
4



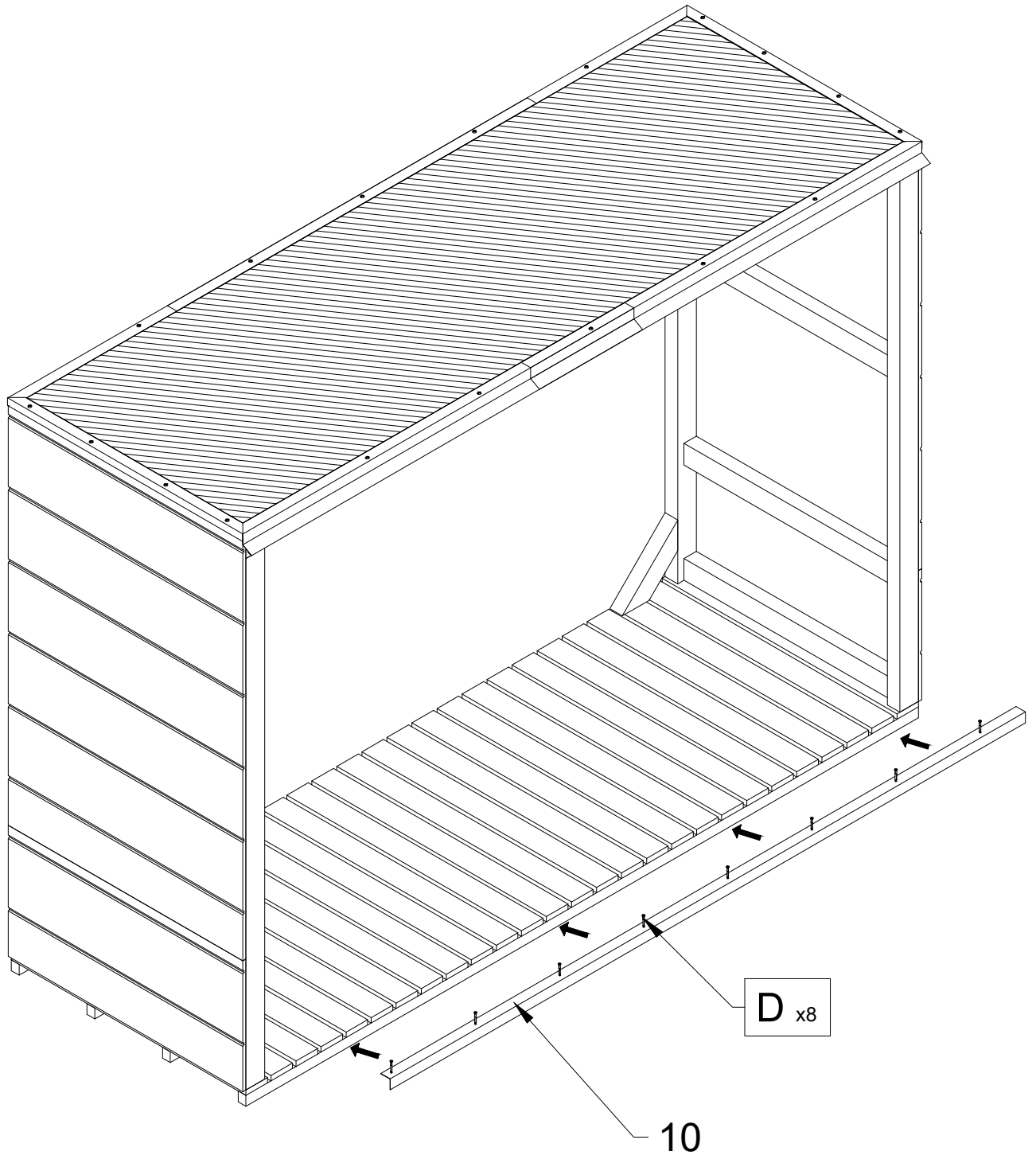
5

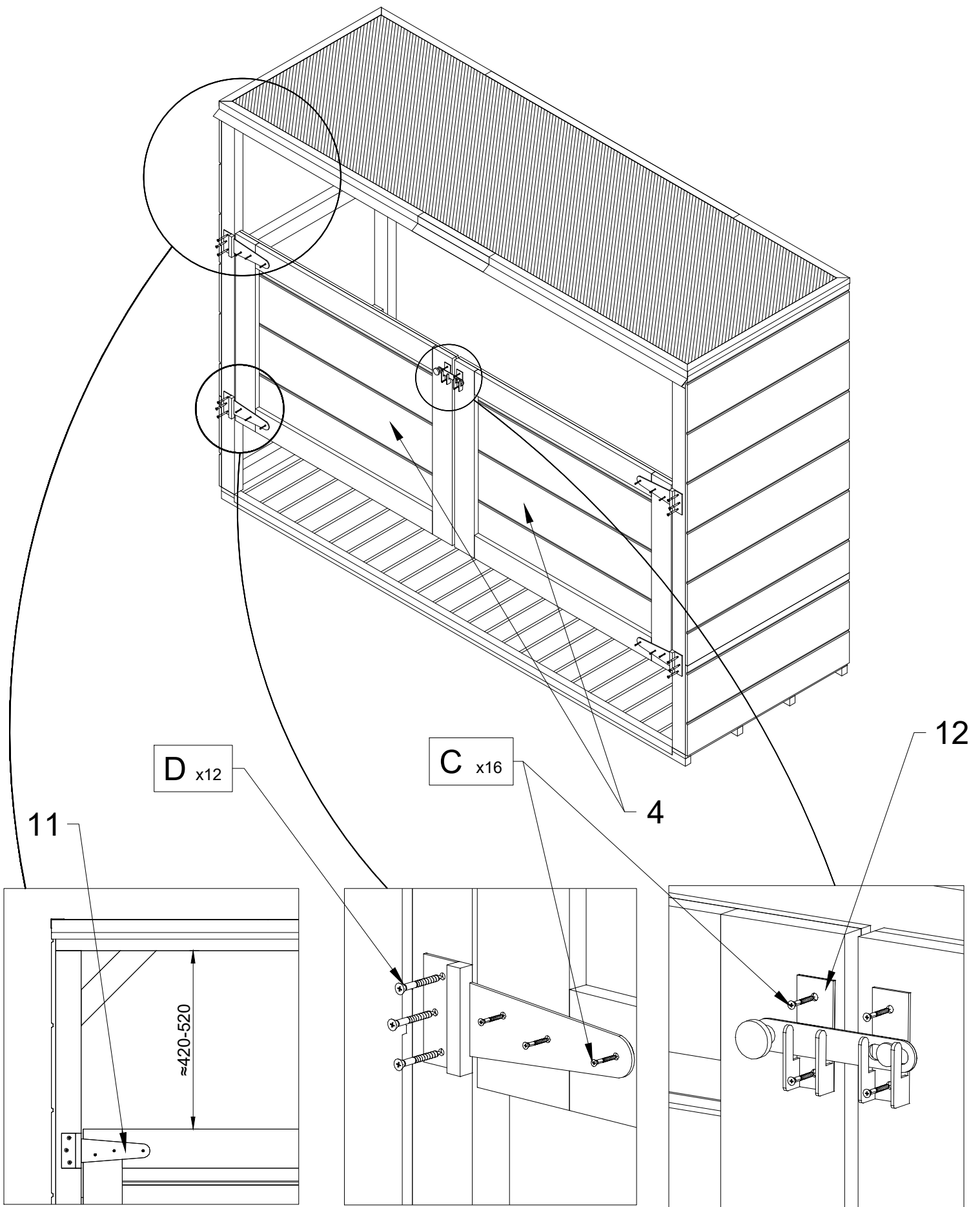


6



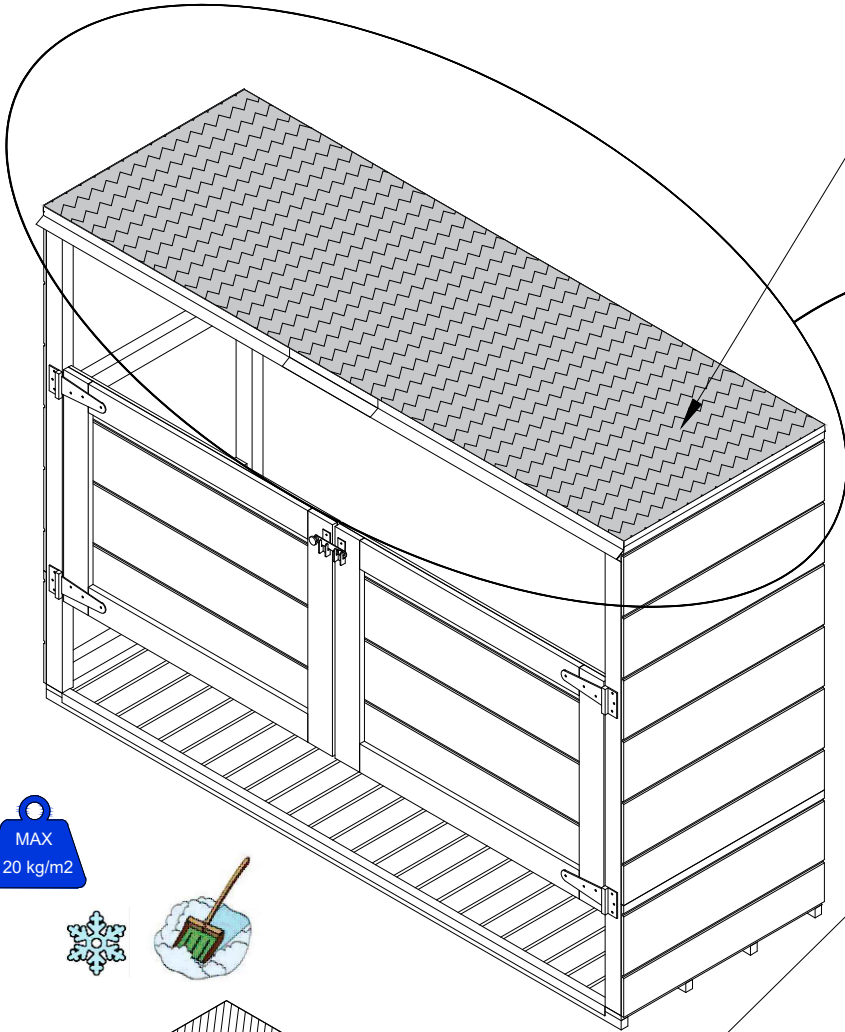
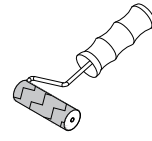
7





9

Bitum/Glue
not included



MAX
120 kg/m²

