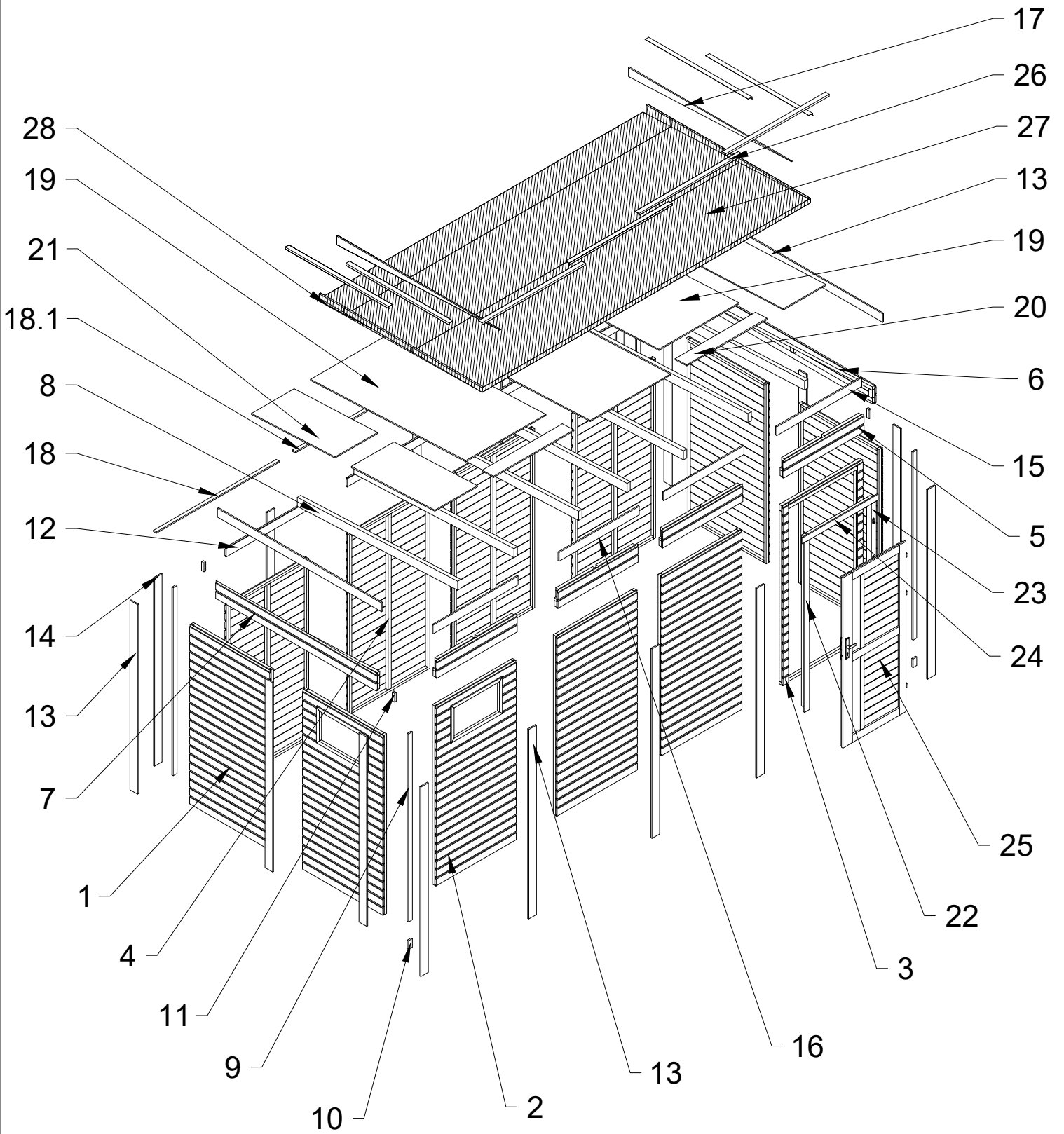
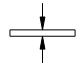
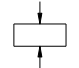
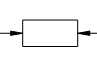
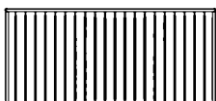
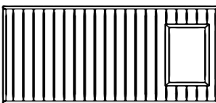


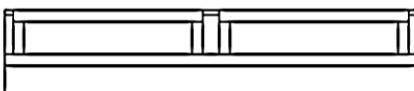









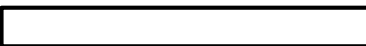



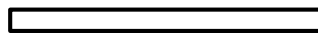



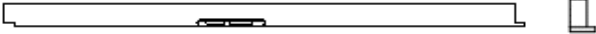
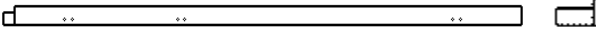
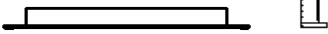
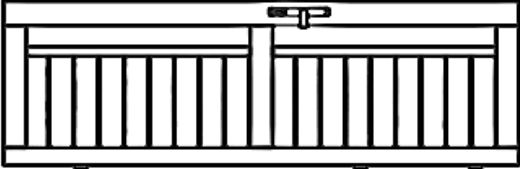


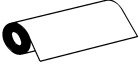



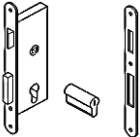
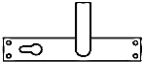



# M327F1

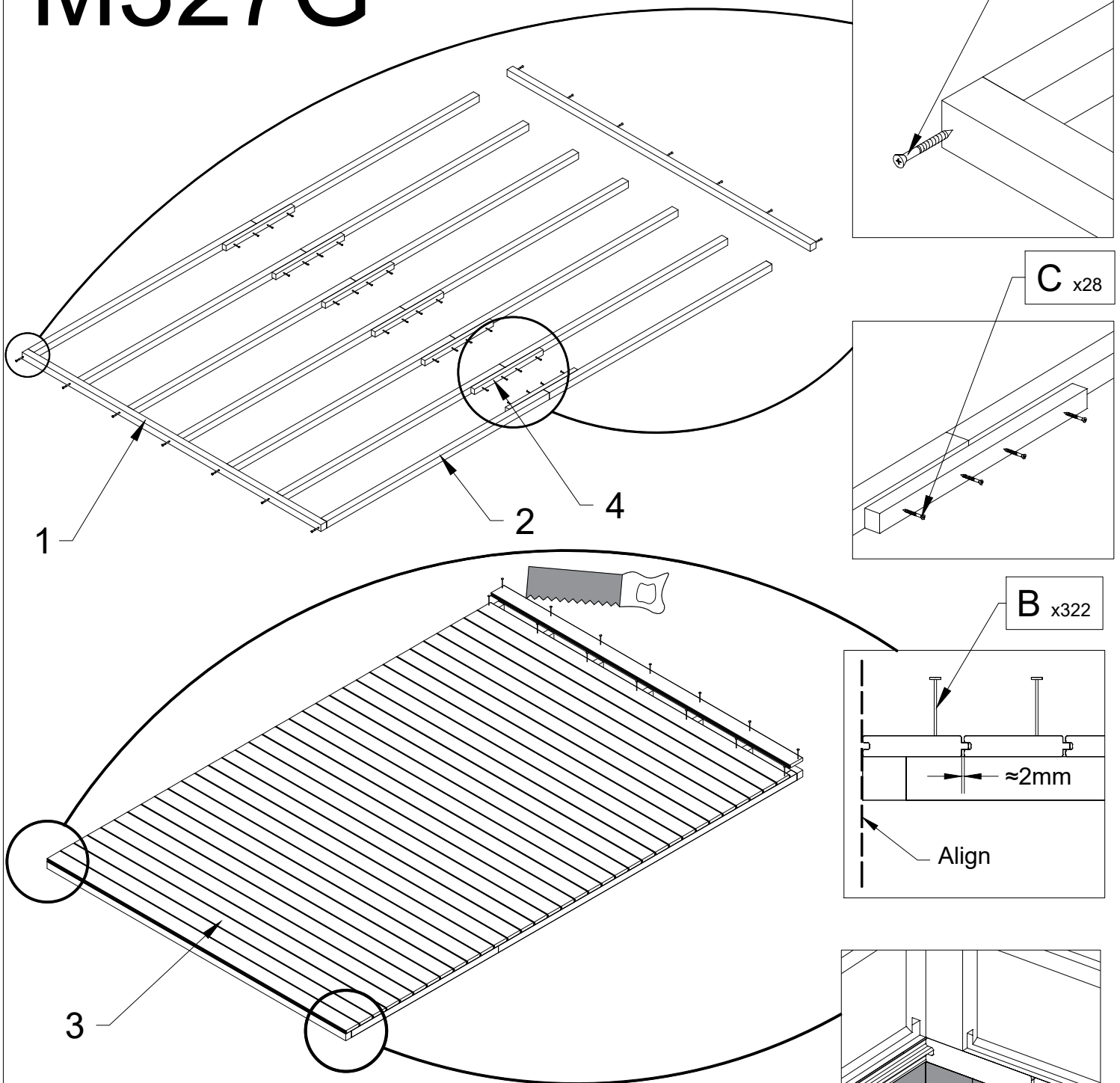



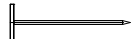

<b>A</b>	5x100, T25 x 3
<b>B</b>	4x70, T20 x 59
<b>C</b>	4x45, T20 x 84
<b>D</b>	3x25, T10 x 367
<b>E</b>	4,2x13 x 85

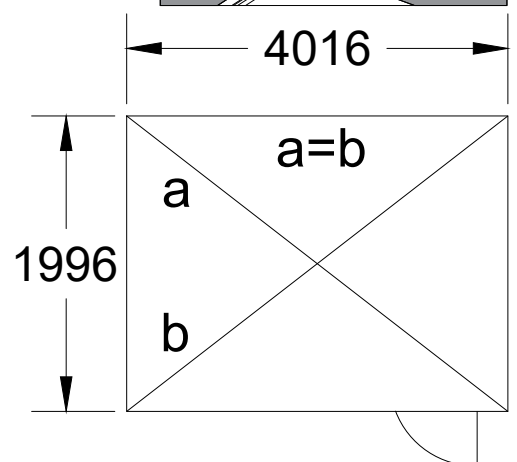
№		PCS			
			mm	mm	mm
1		9		980	1900
2		2		980	1900
3		1		980	1900
4		4	30	35	1850
5		4		188	980
6		1		188	1960
7		1		188	1960
8		7	40	96	1967
9		4	17	47	1990
10		2	17	47	90
11		4	20	30	94
12		4	17	96	980
13		13	13	92	2005
14		5	13	92	1990
15		2	13	92	1039
16		2	13	92	980
17		2	13	92	1990
18		2	15	35	1500
18.1		2	15	35	980

19		3	12	980	1900
20		3	12	142	980
21		4	12	520	1021
22		1	58	60	1839
23		1	58	60	1839
24		1	58	60	877
25		1		772	1801
26		8			1250
27		2		1000	4450
28		1		500	4450
29		9			
30		3			
31		3			
32		1			
33		1			
34		1			

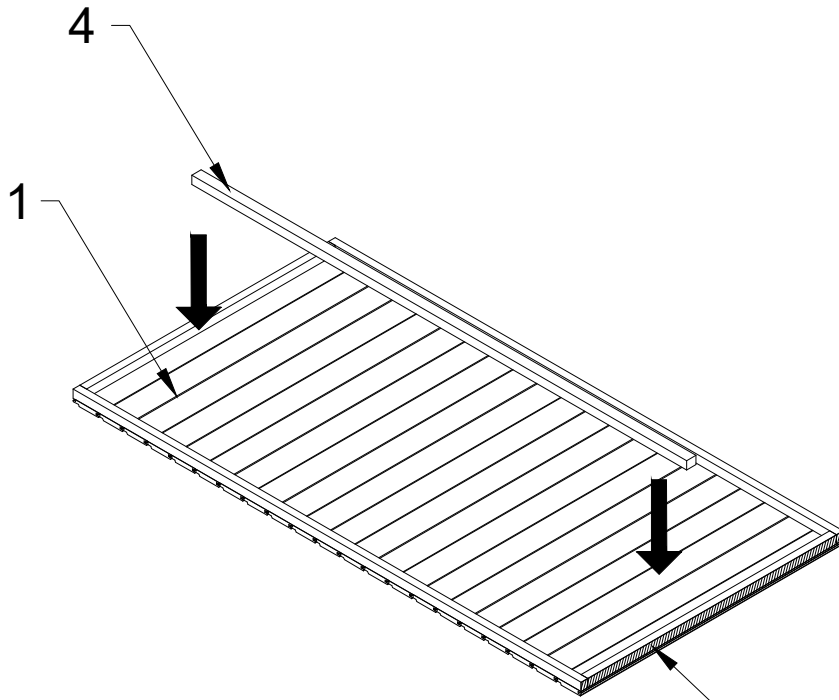
# M327G



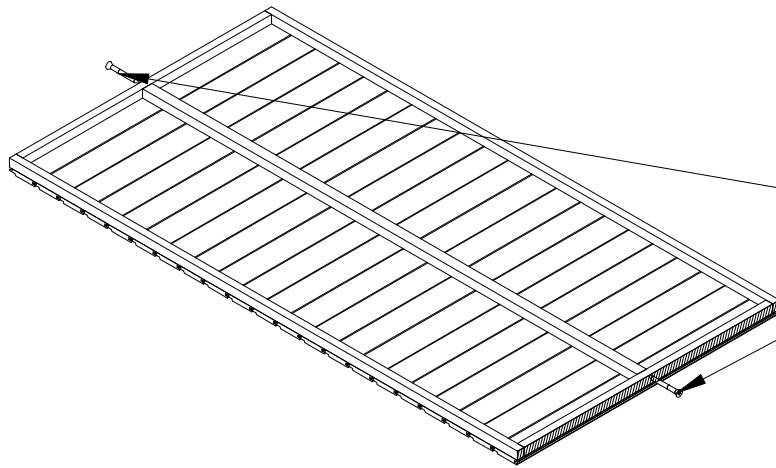
№	PCS	DIMENSIONS		
1	2	38	38	1996
2	14	38	38	964
3	46	19	92	1996
4	7	15	35	150
A	14		M4x70	
B	322			
C	28		M4x45	



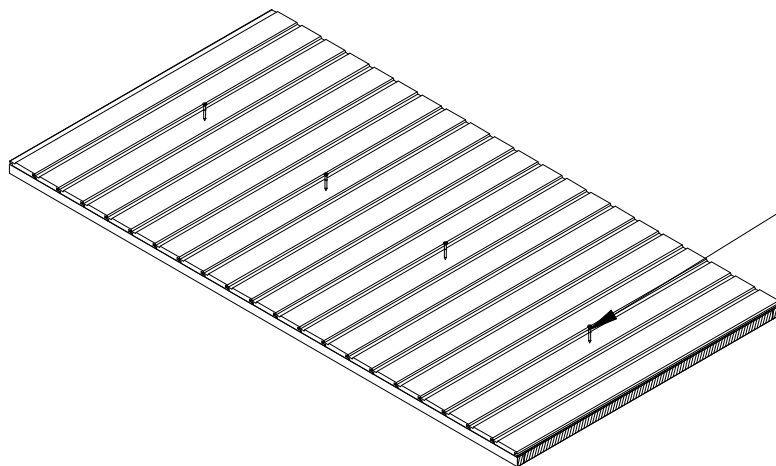
1



Paint

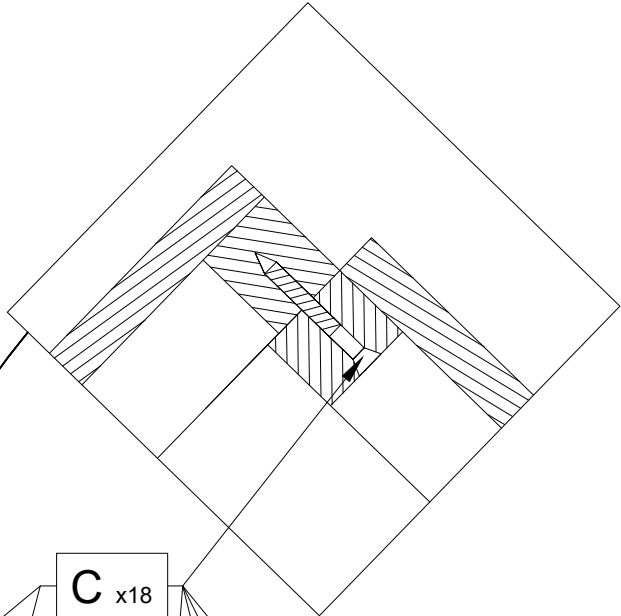
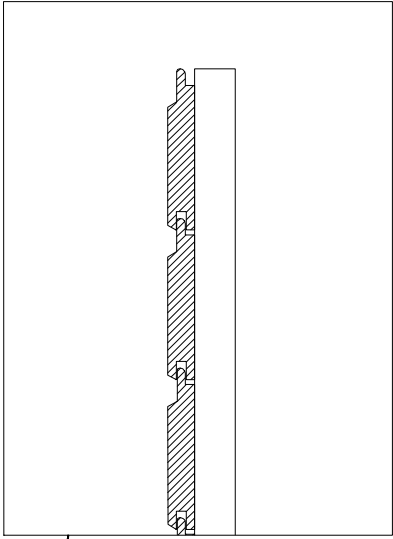


B x8

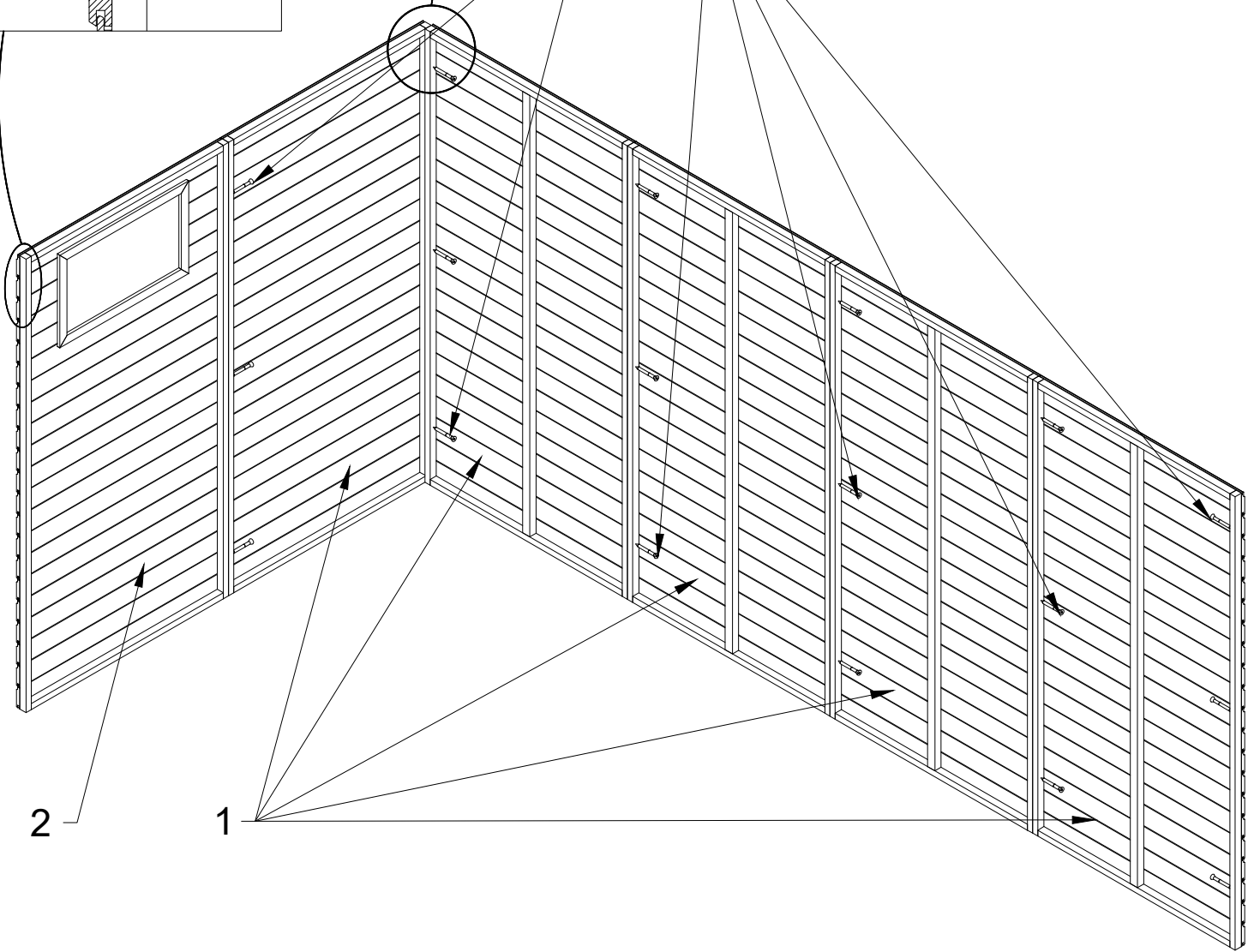


D x16

2



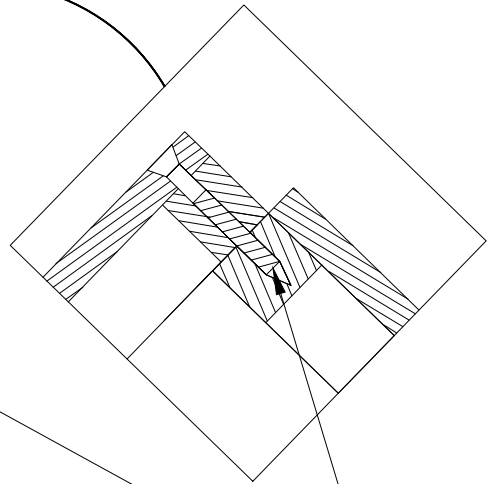
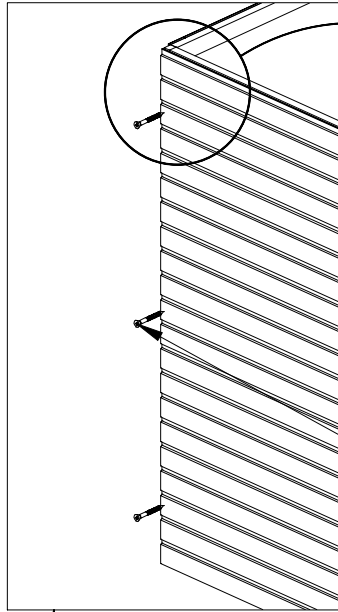
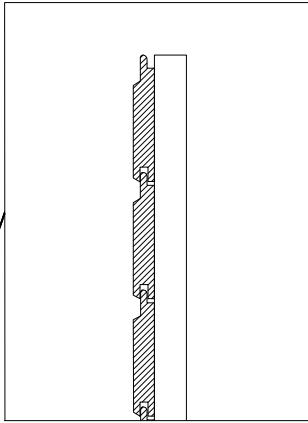
C x18



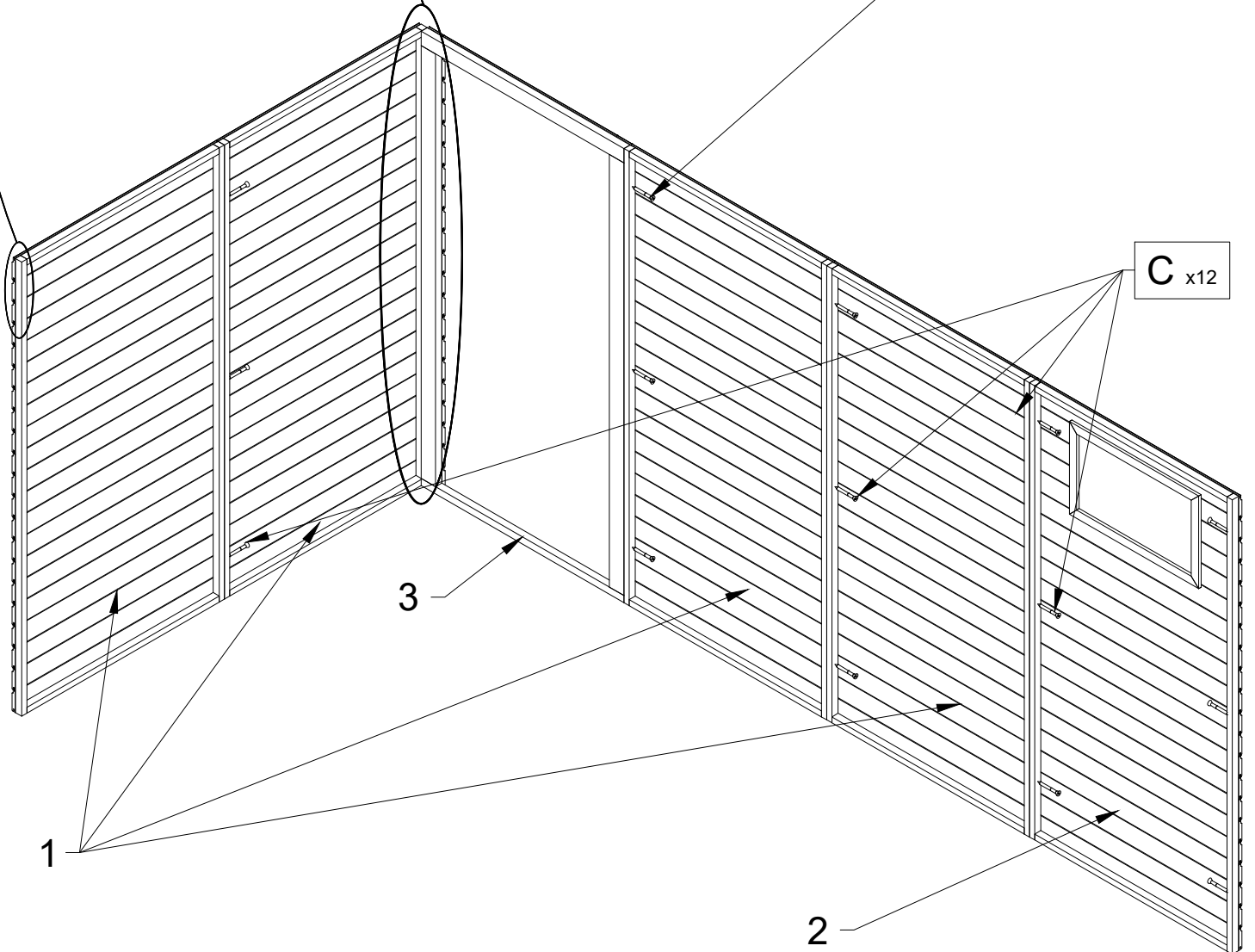
2

1

3



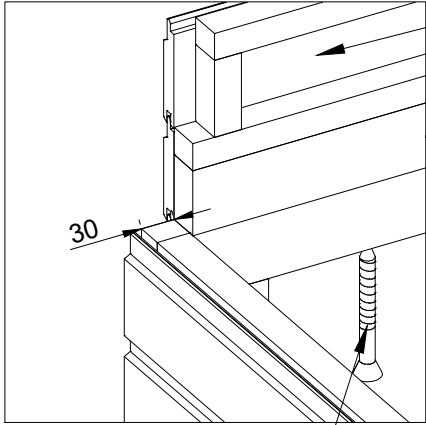
B x6



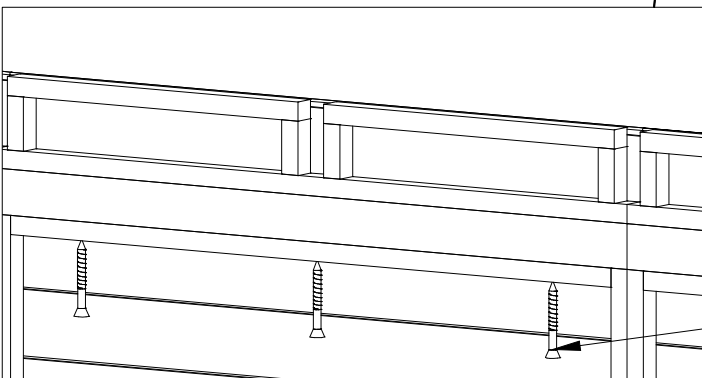
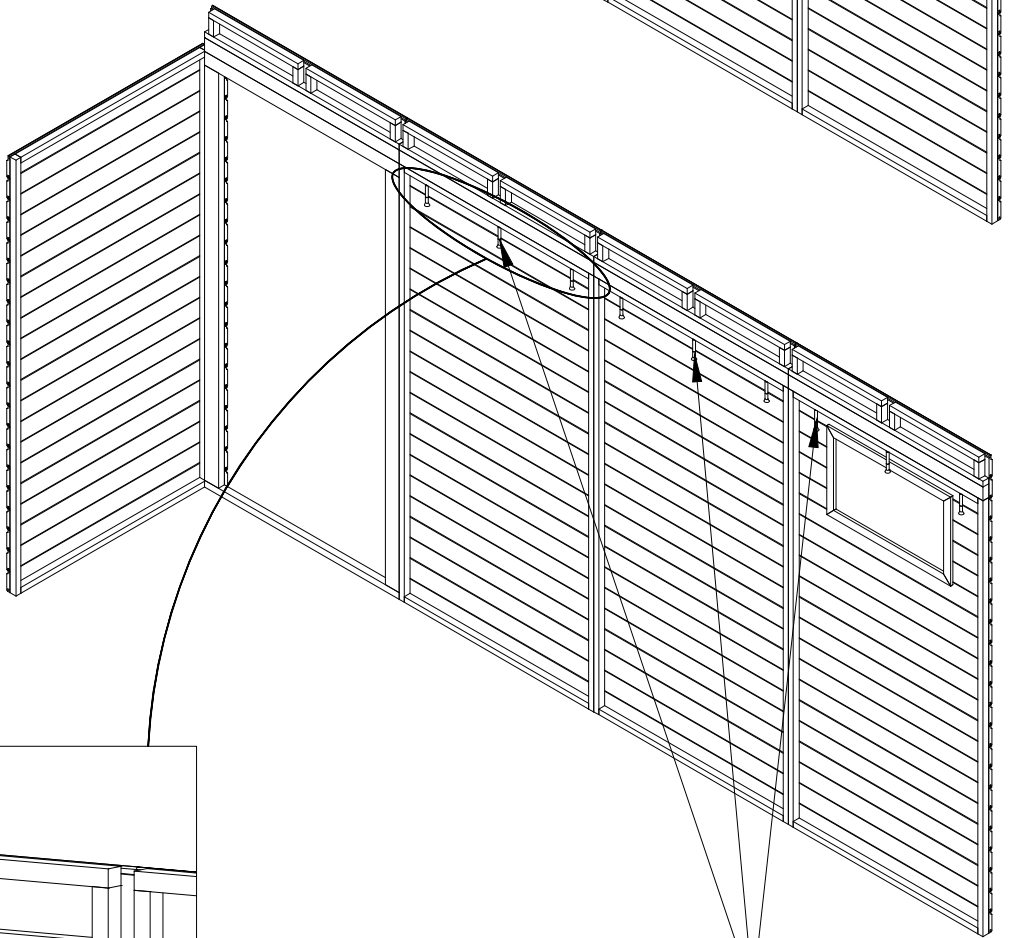
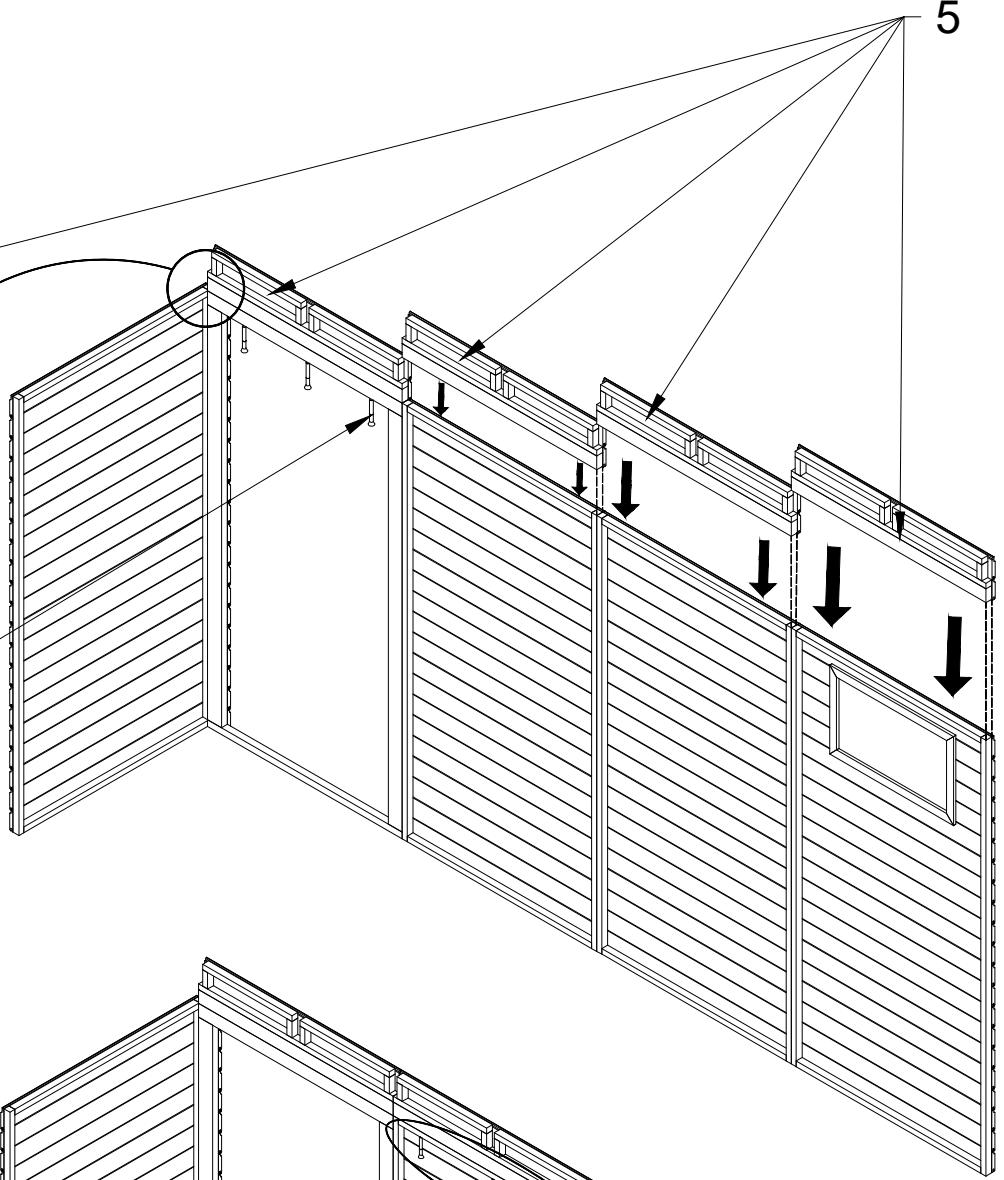
C x12

4

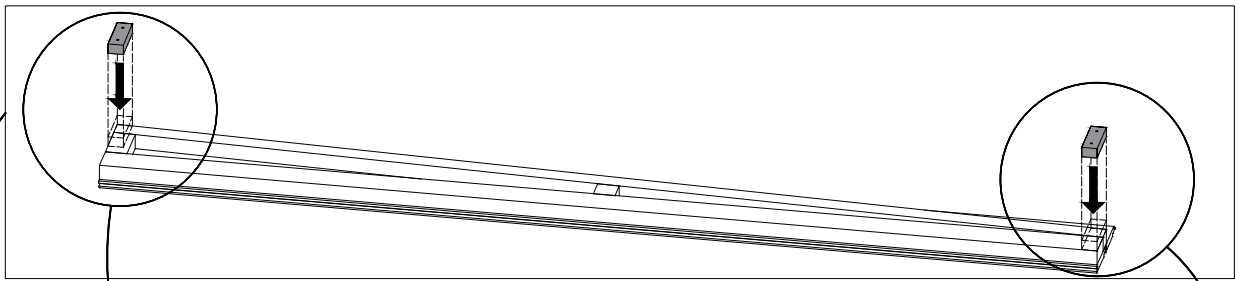
5



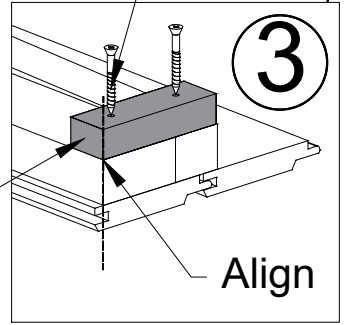
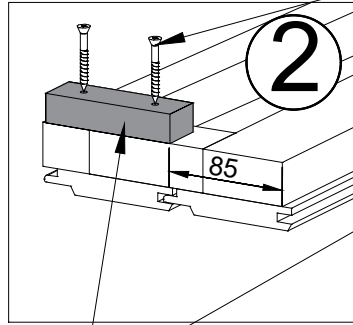
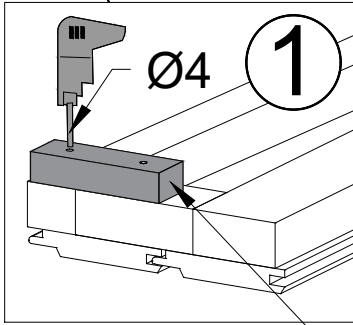
A x3



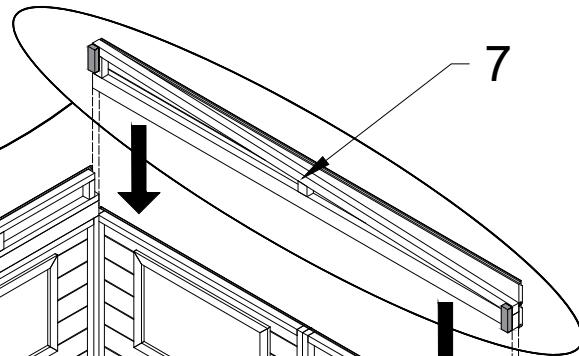
5



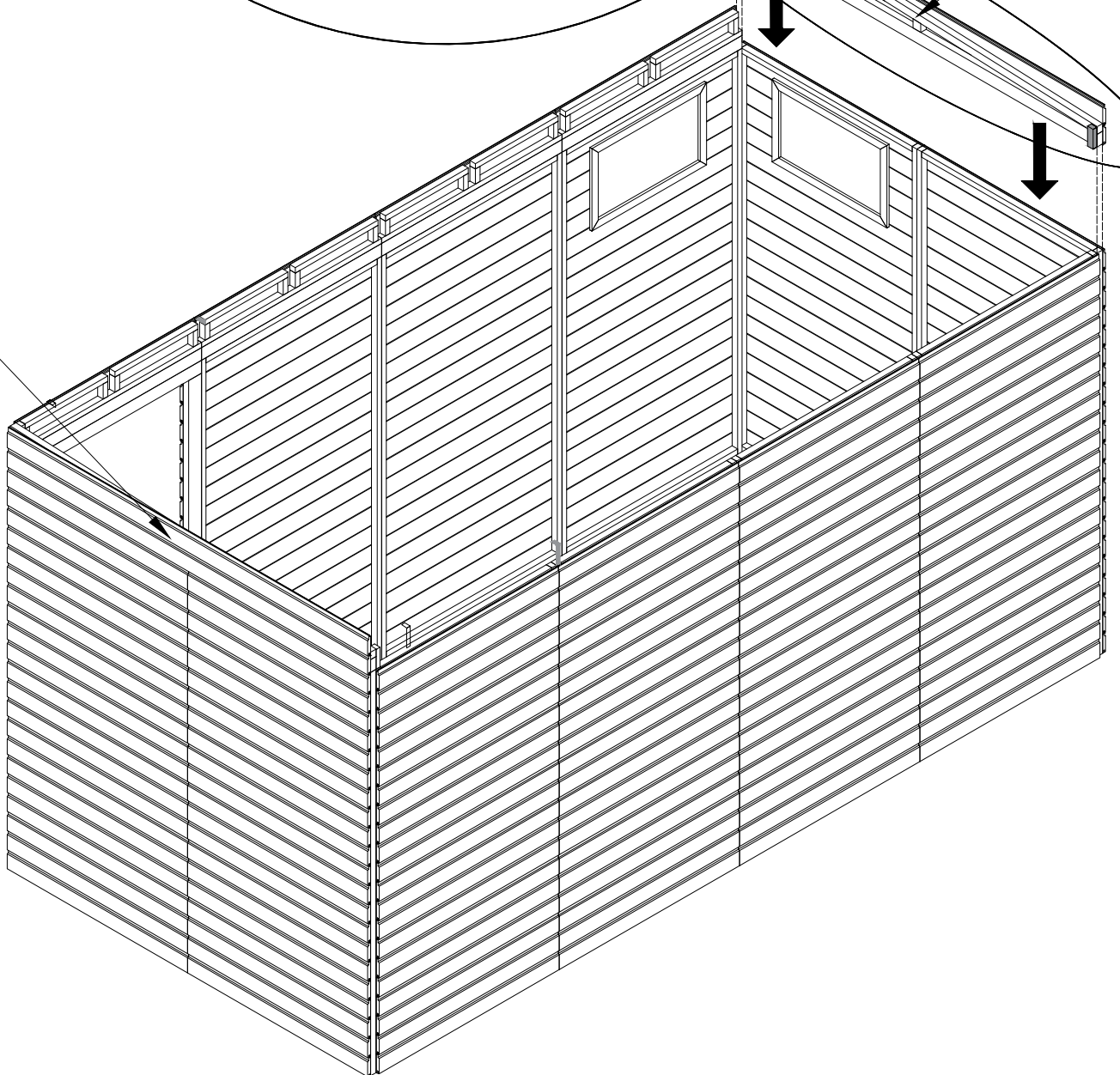
C x8



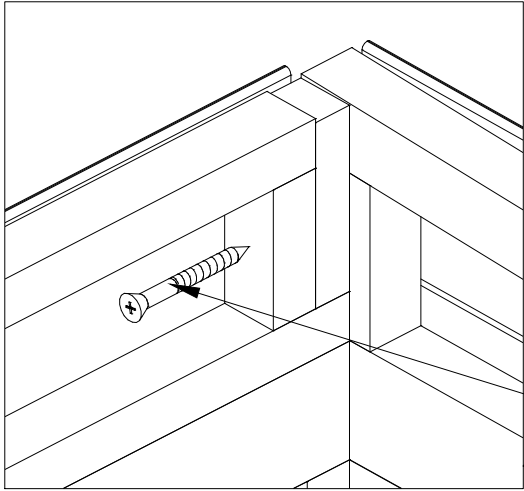
11



6

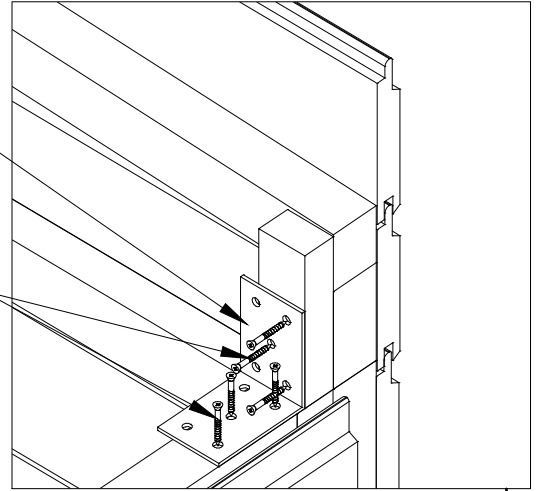


6

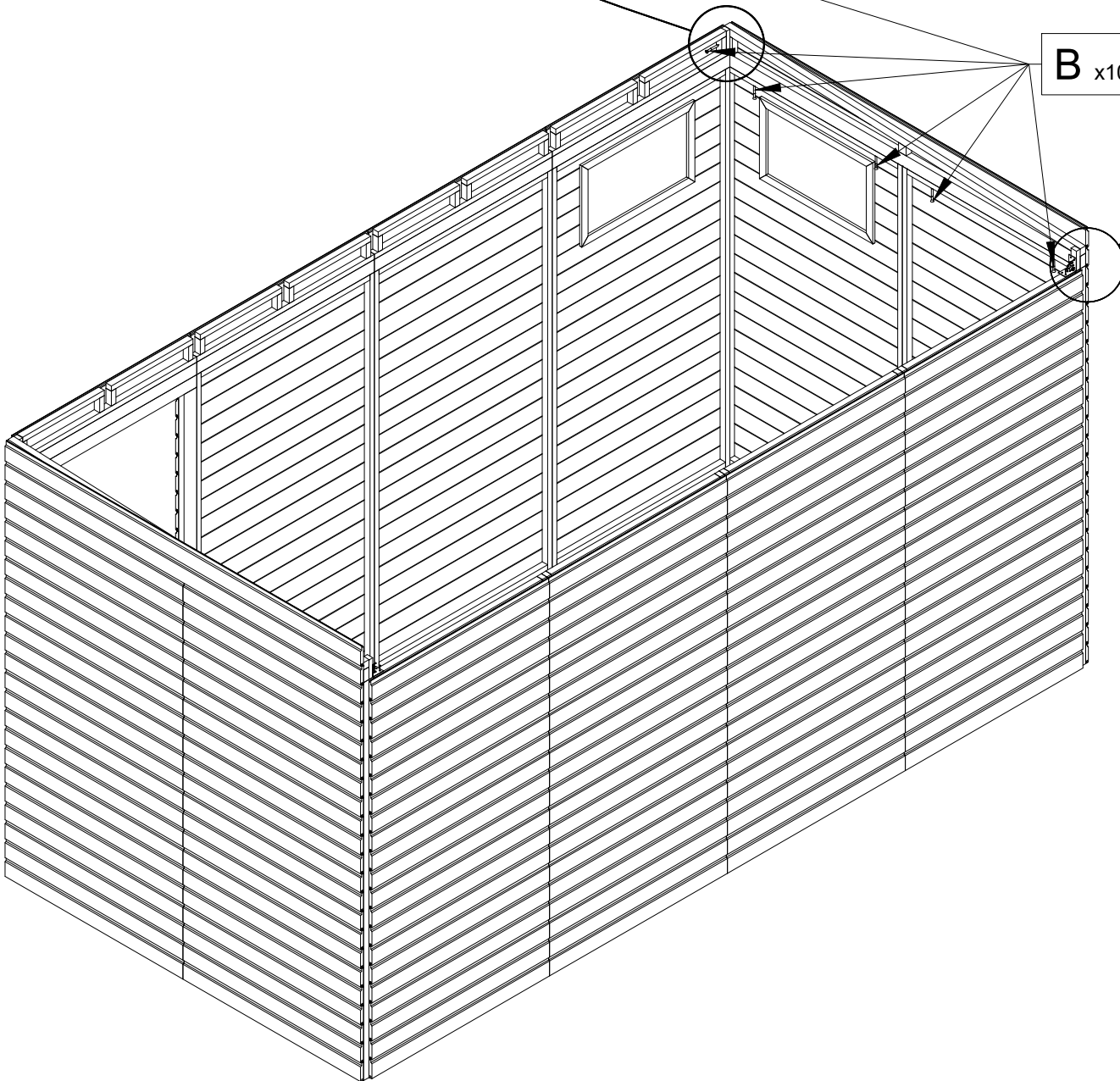


29

D x12

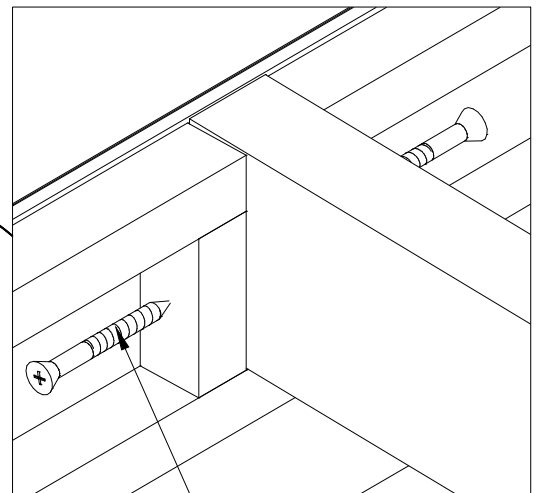
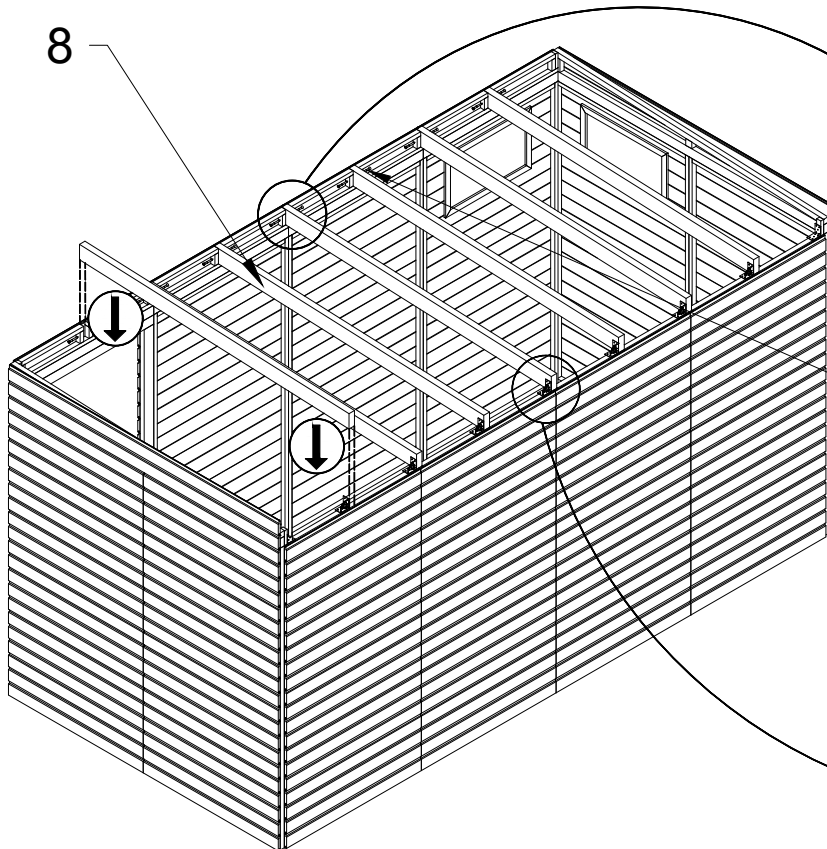
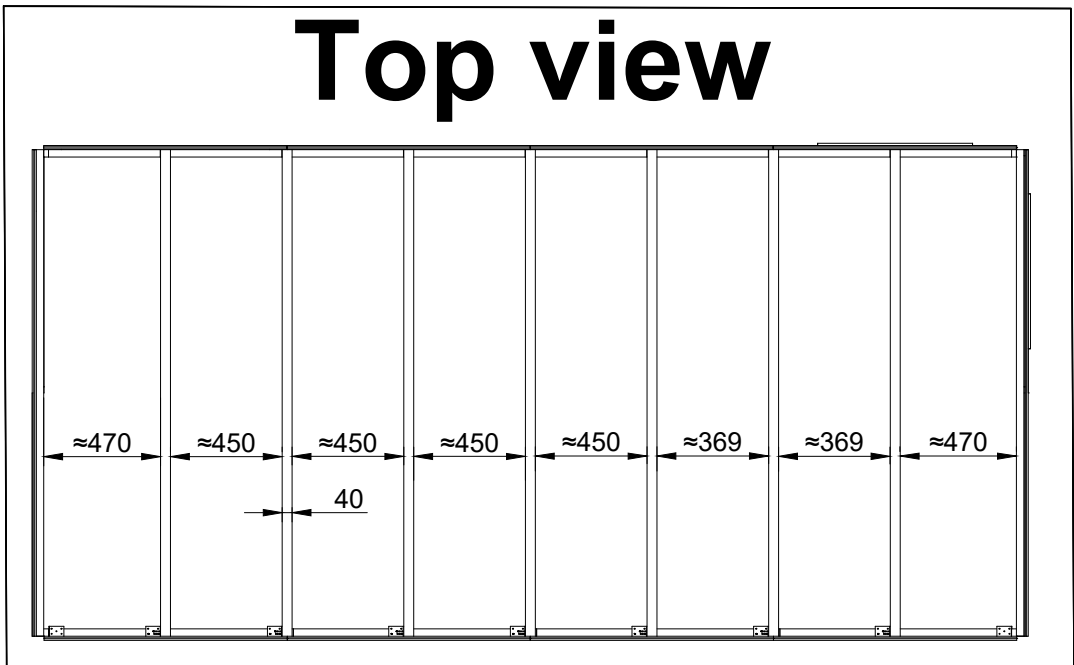


B x10



7

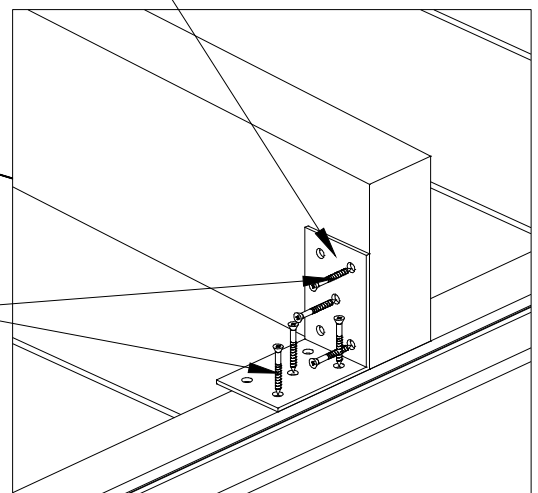
# Top view



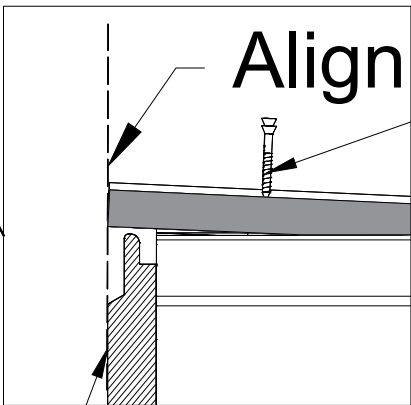
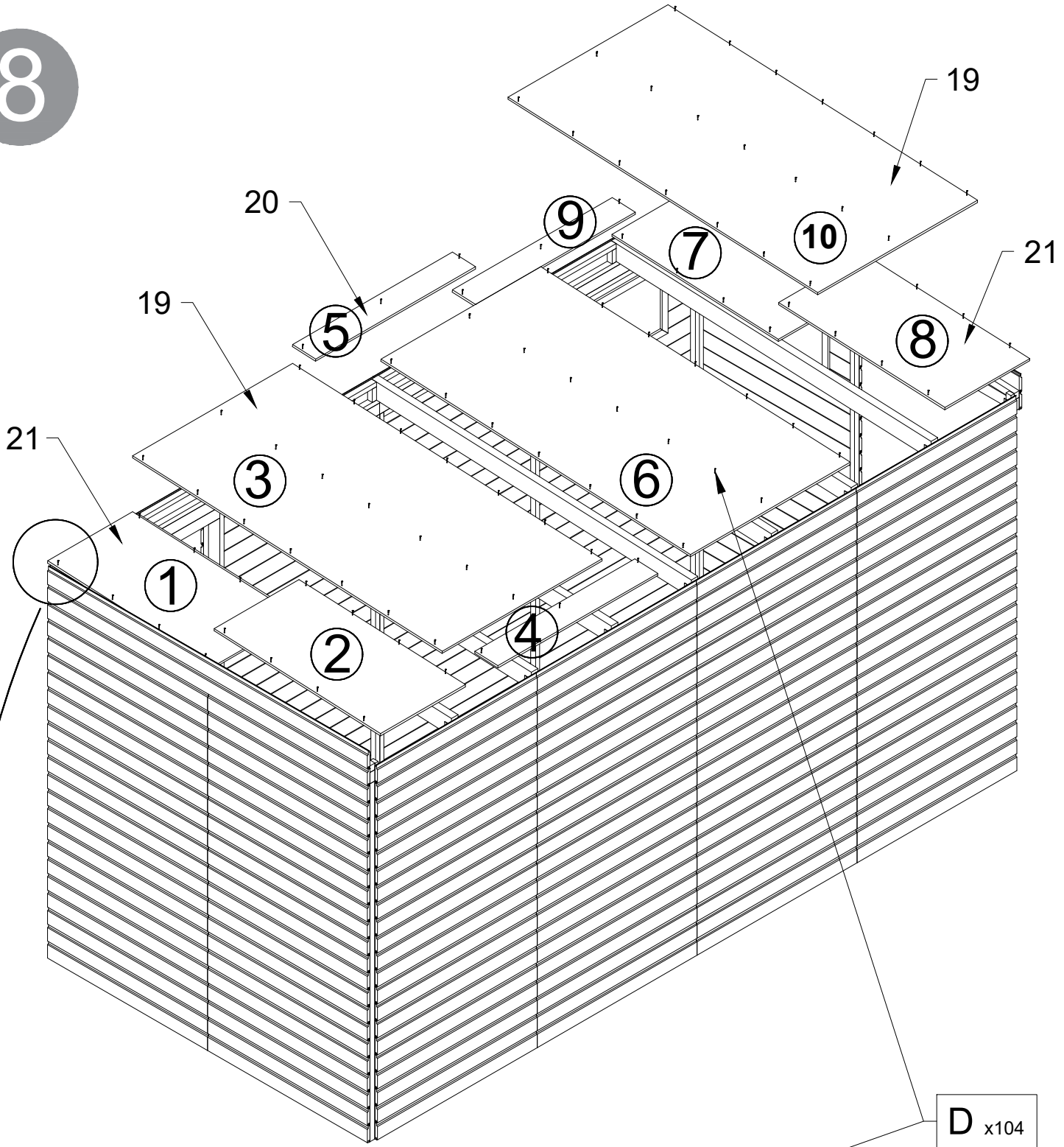
29

B x14

D x42

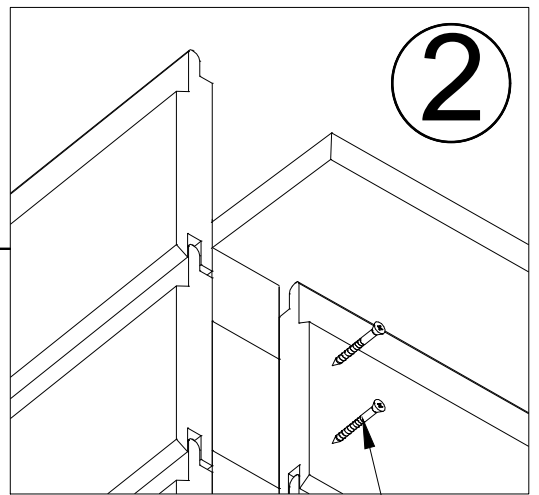
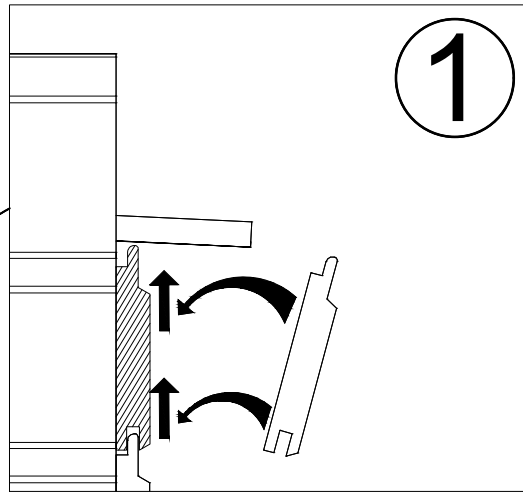


8

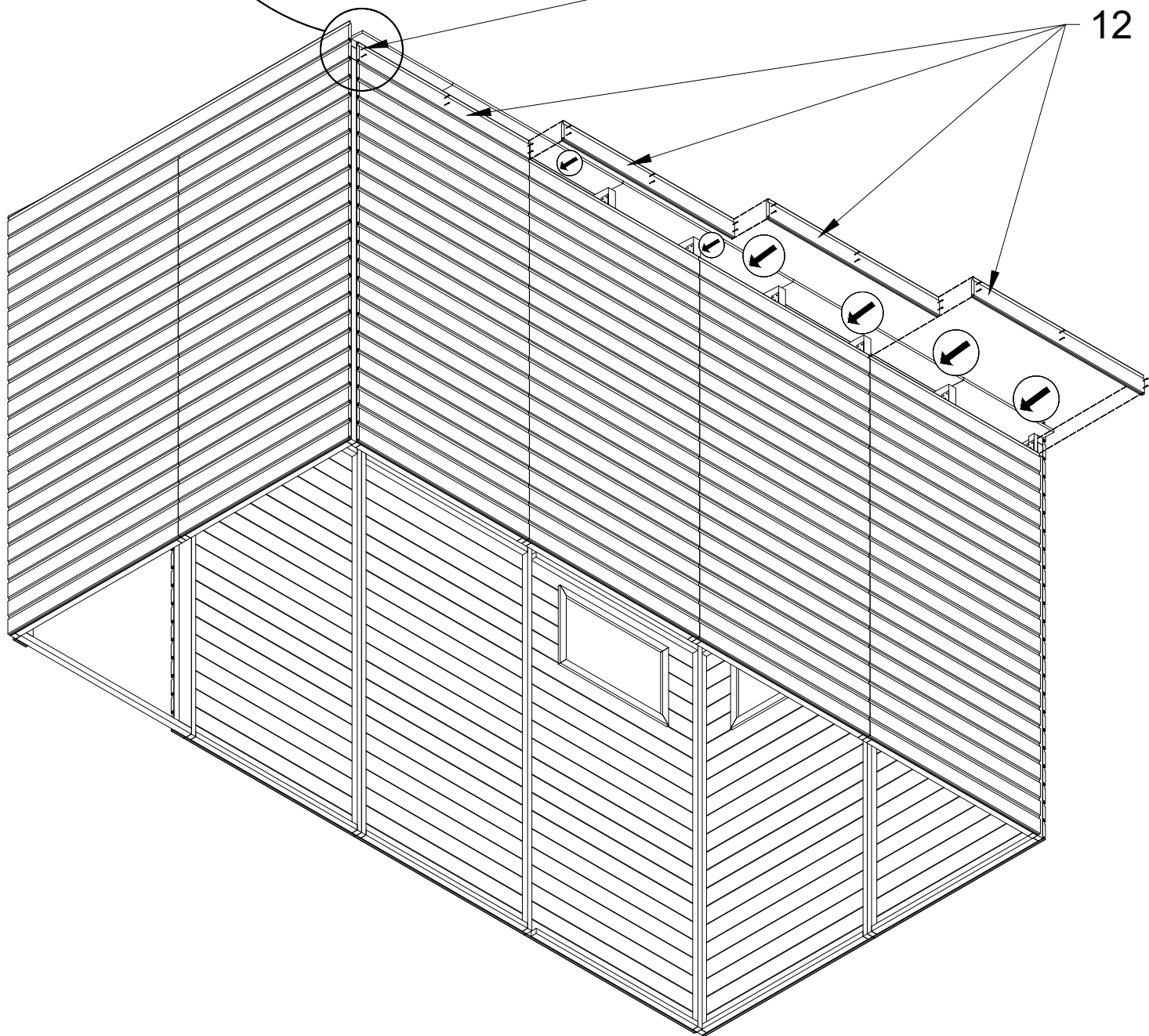


**Front**

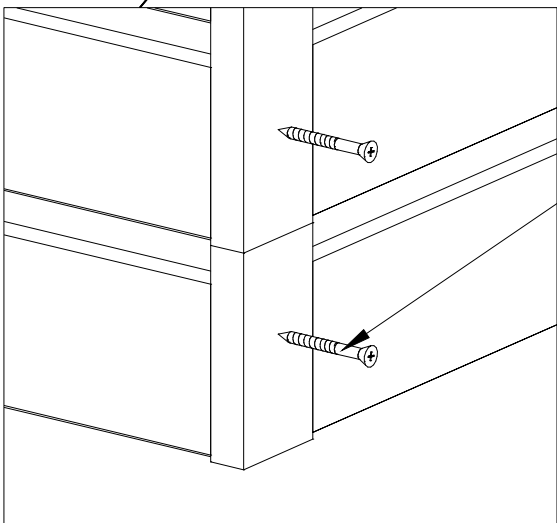
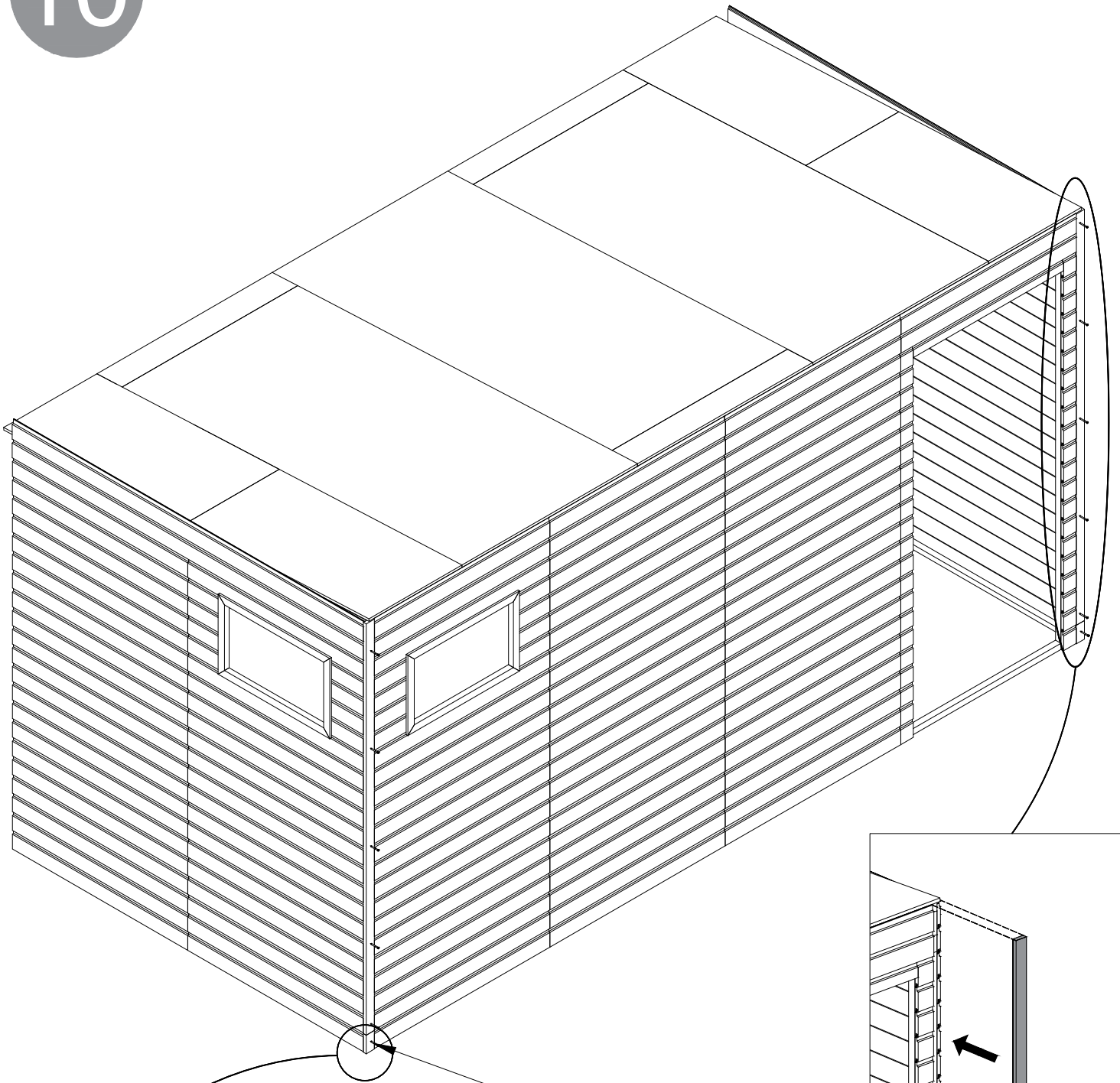
9



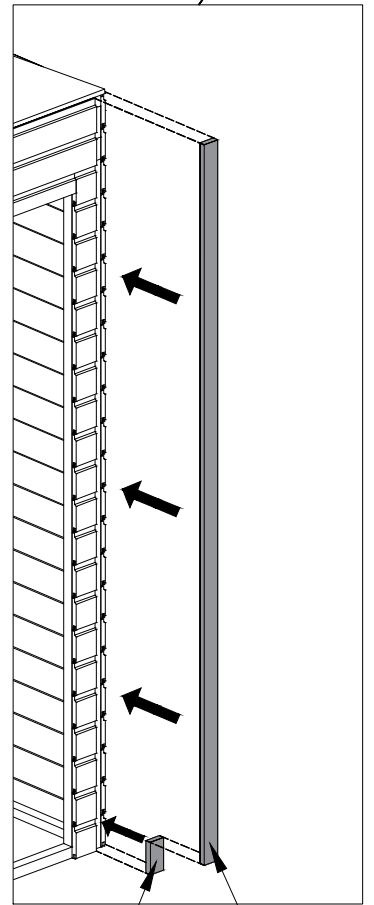
C x24



10



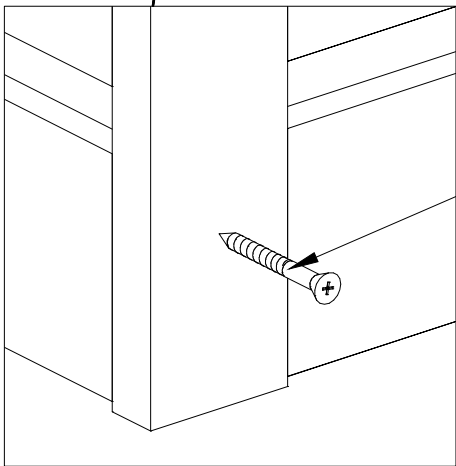
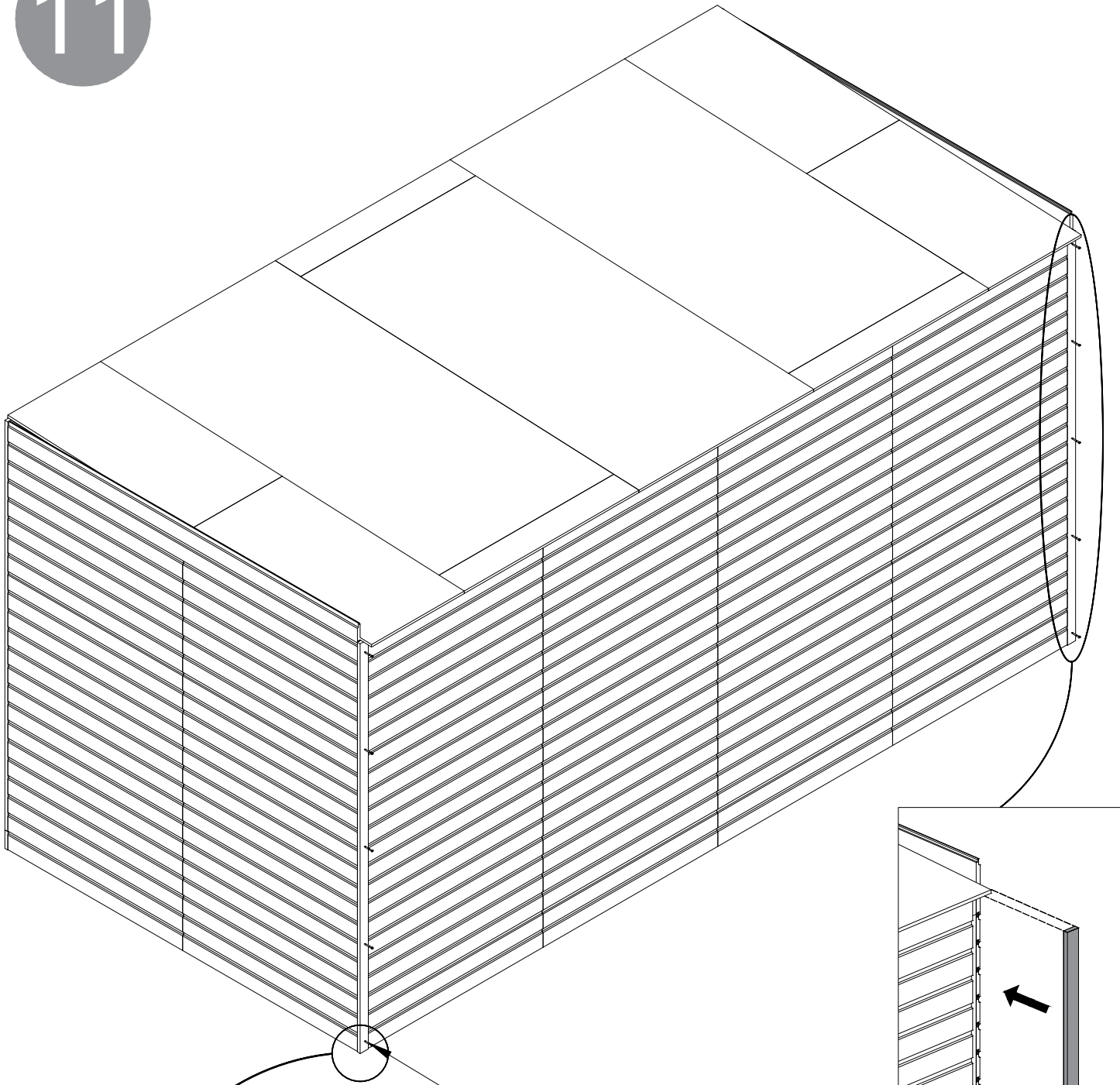
C x12



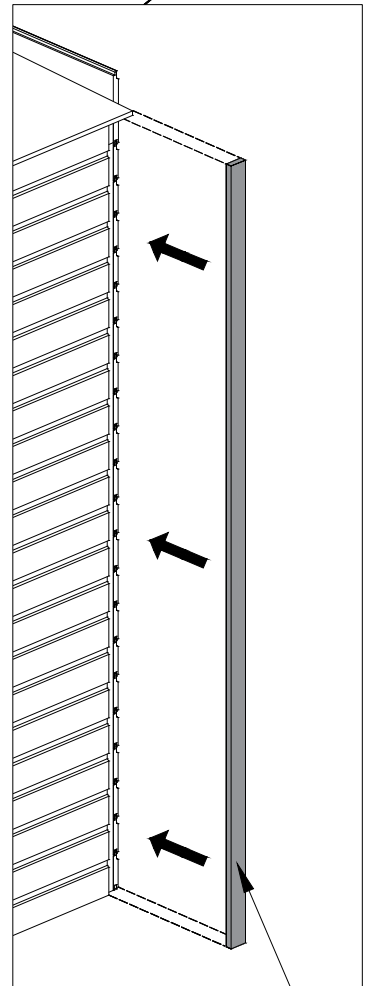
10

9

11

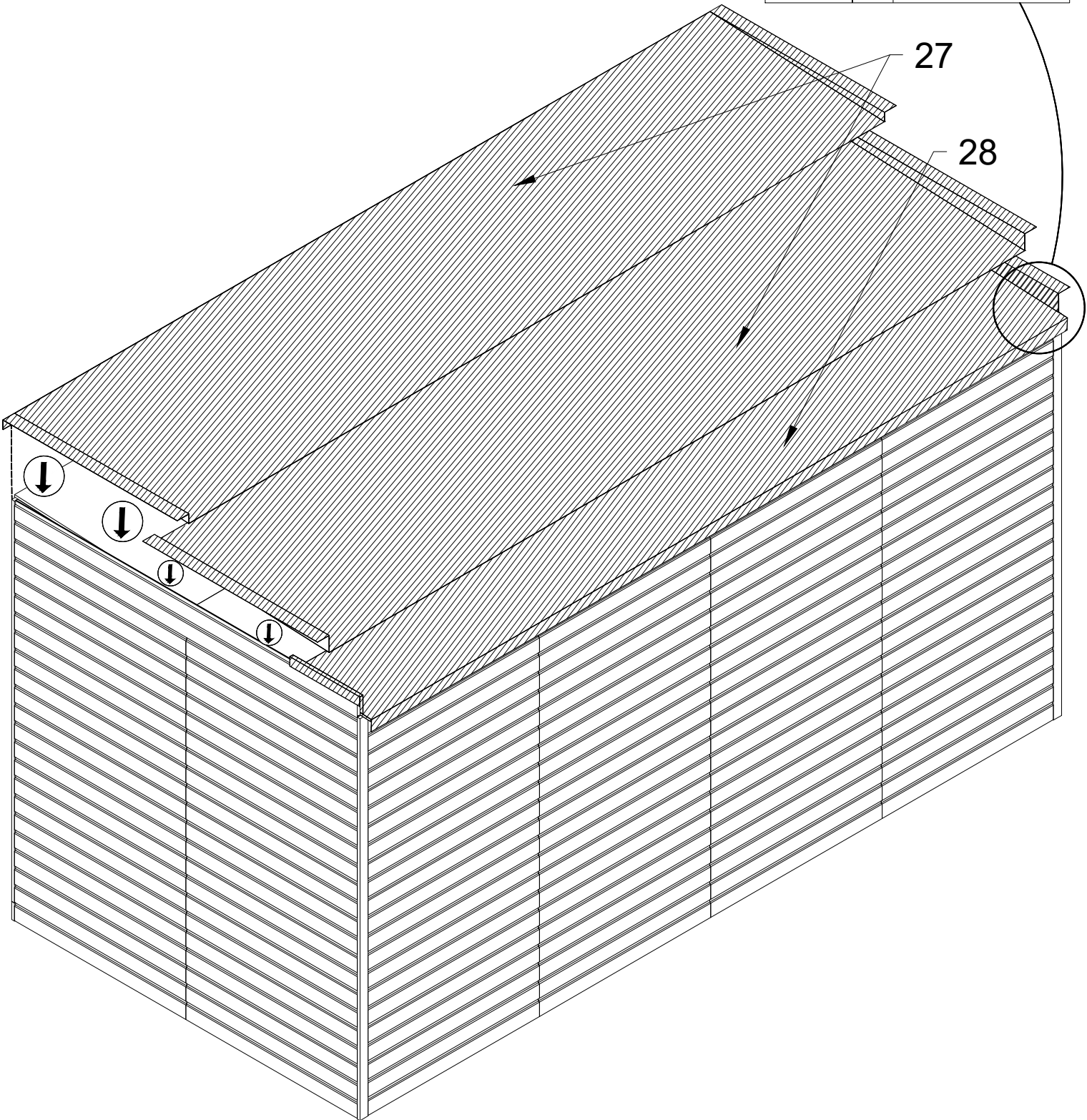
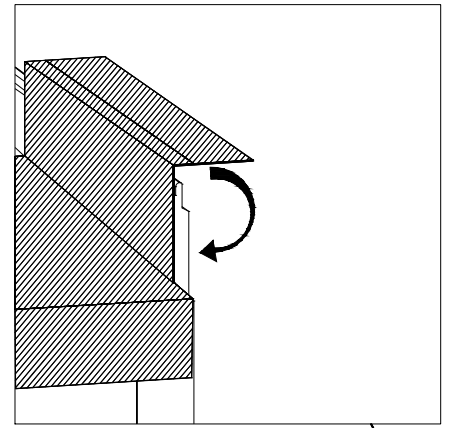


C x10

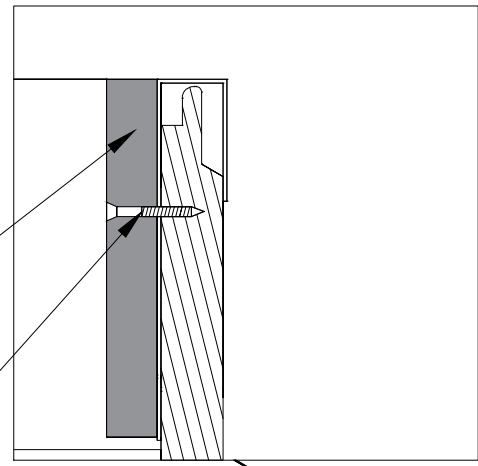


9

12

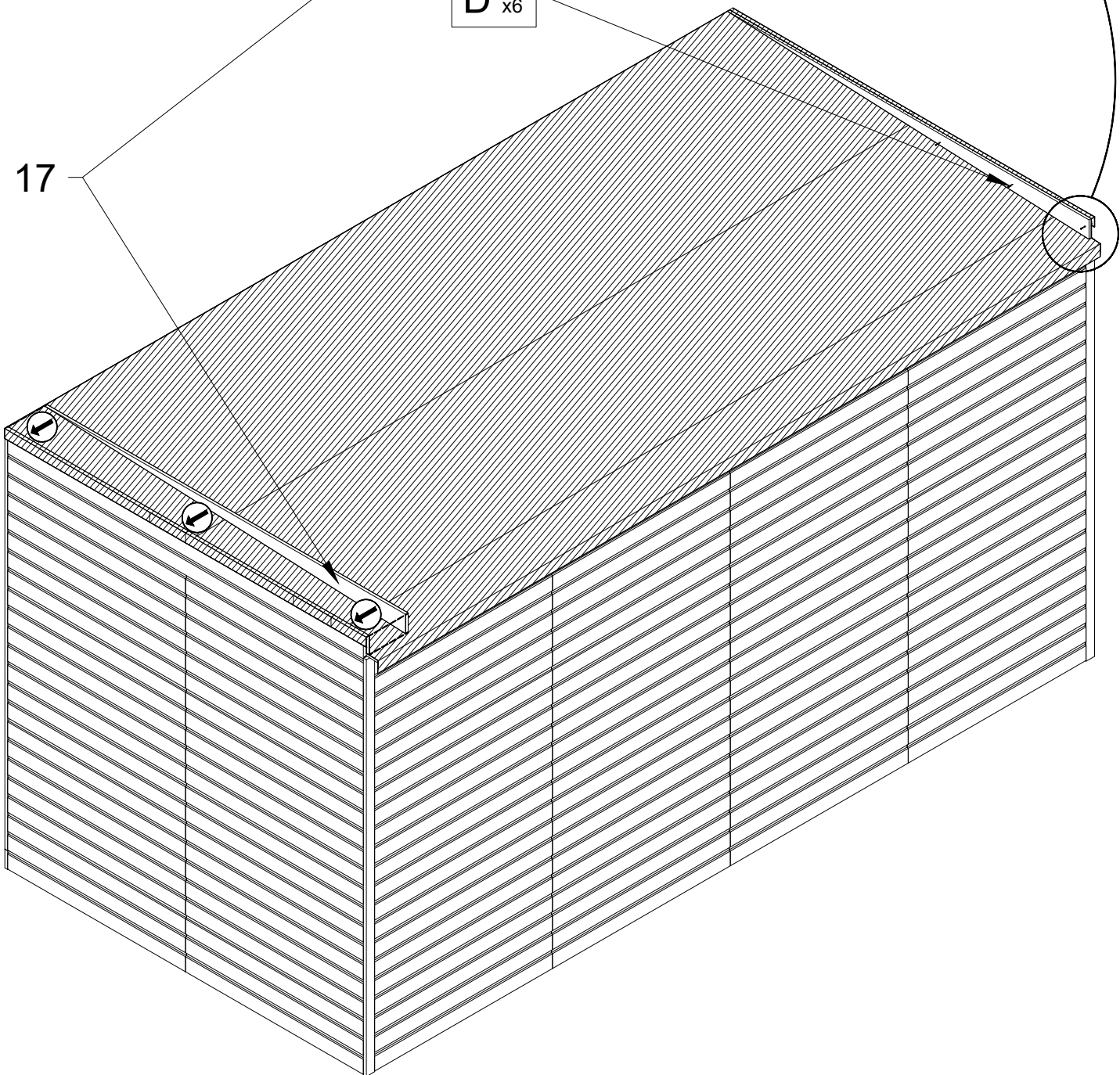


13

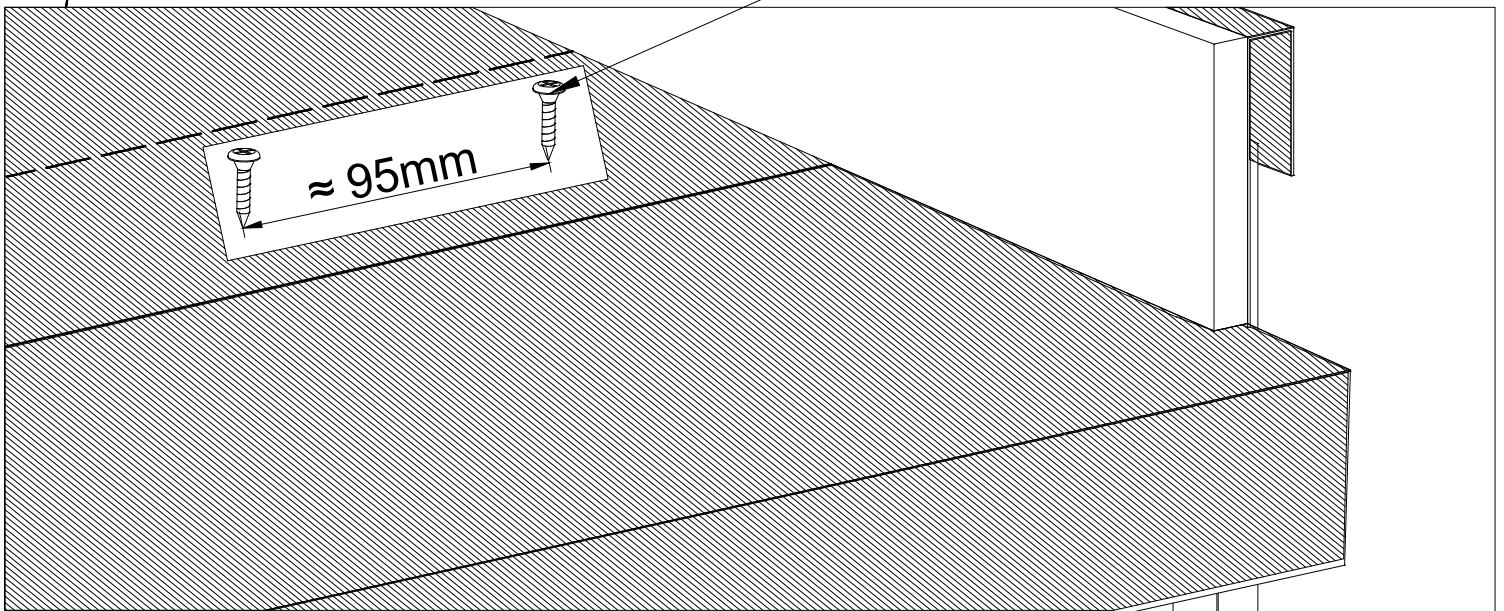
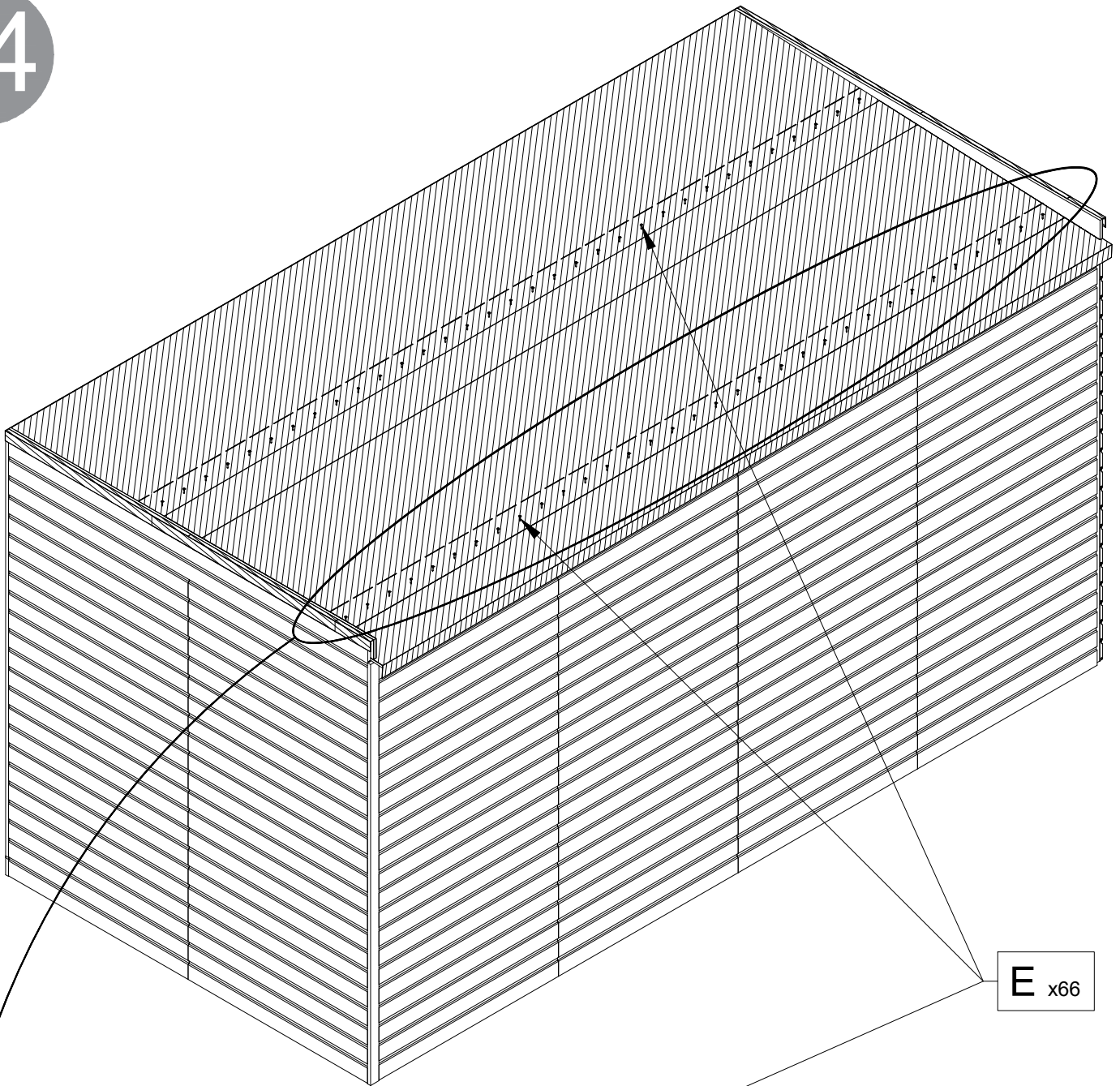


D x6

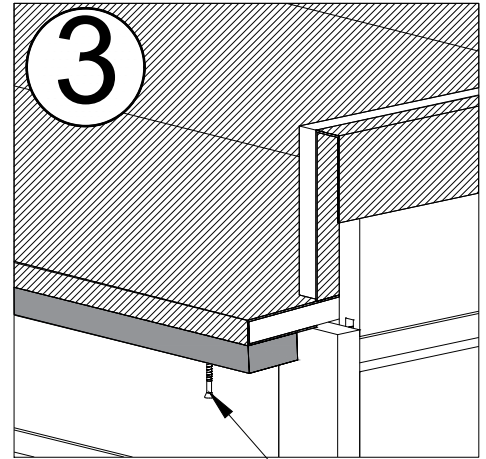
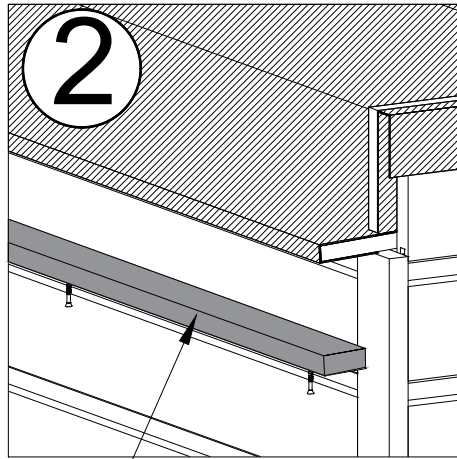
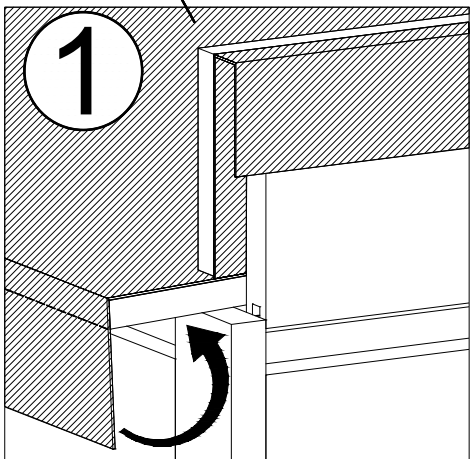
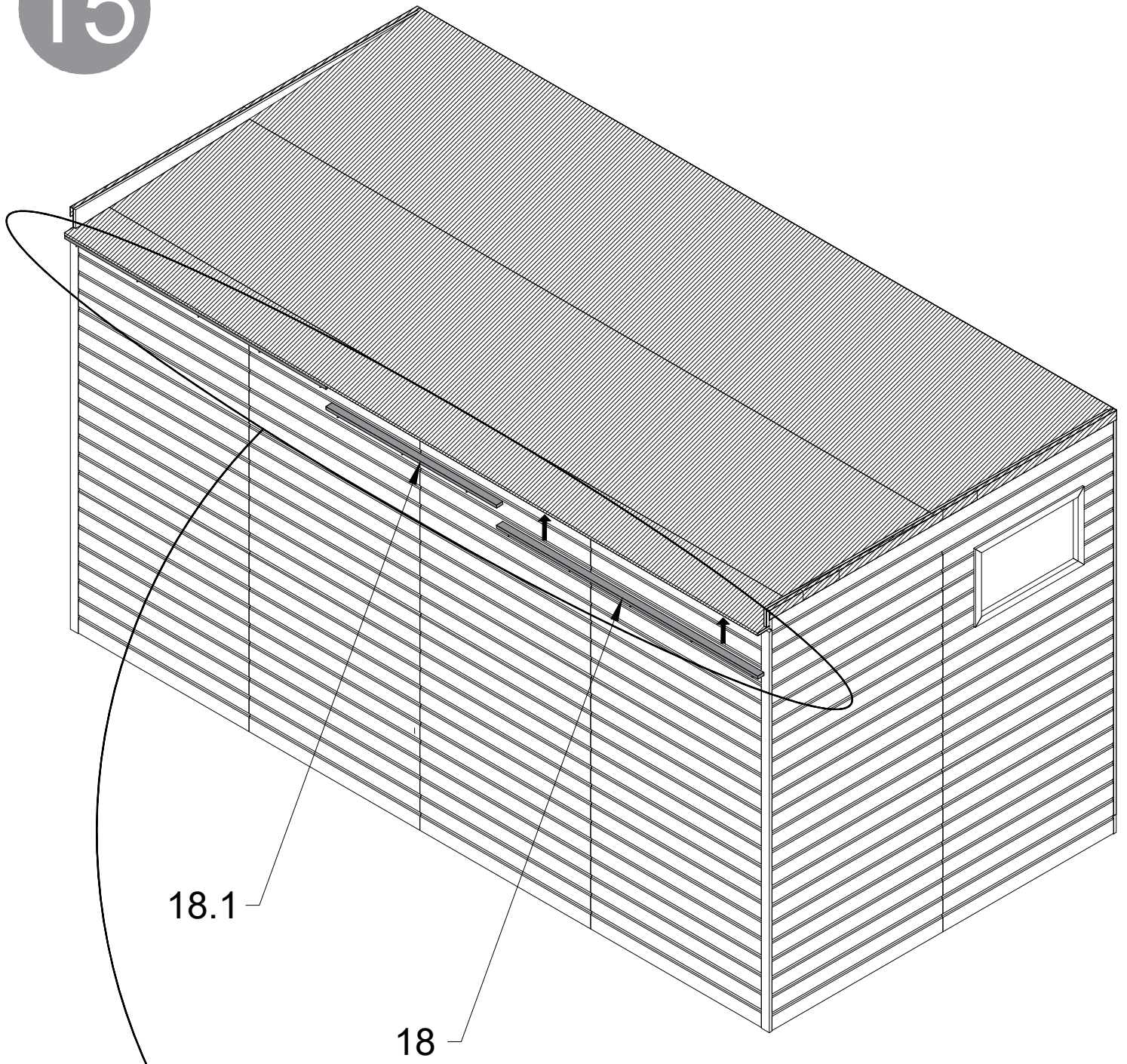
17



14



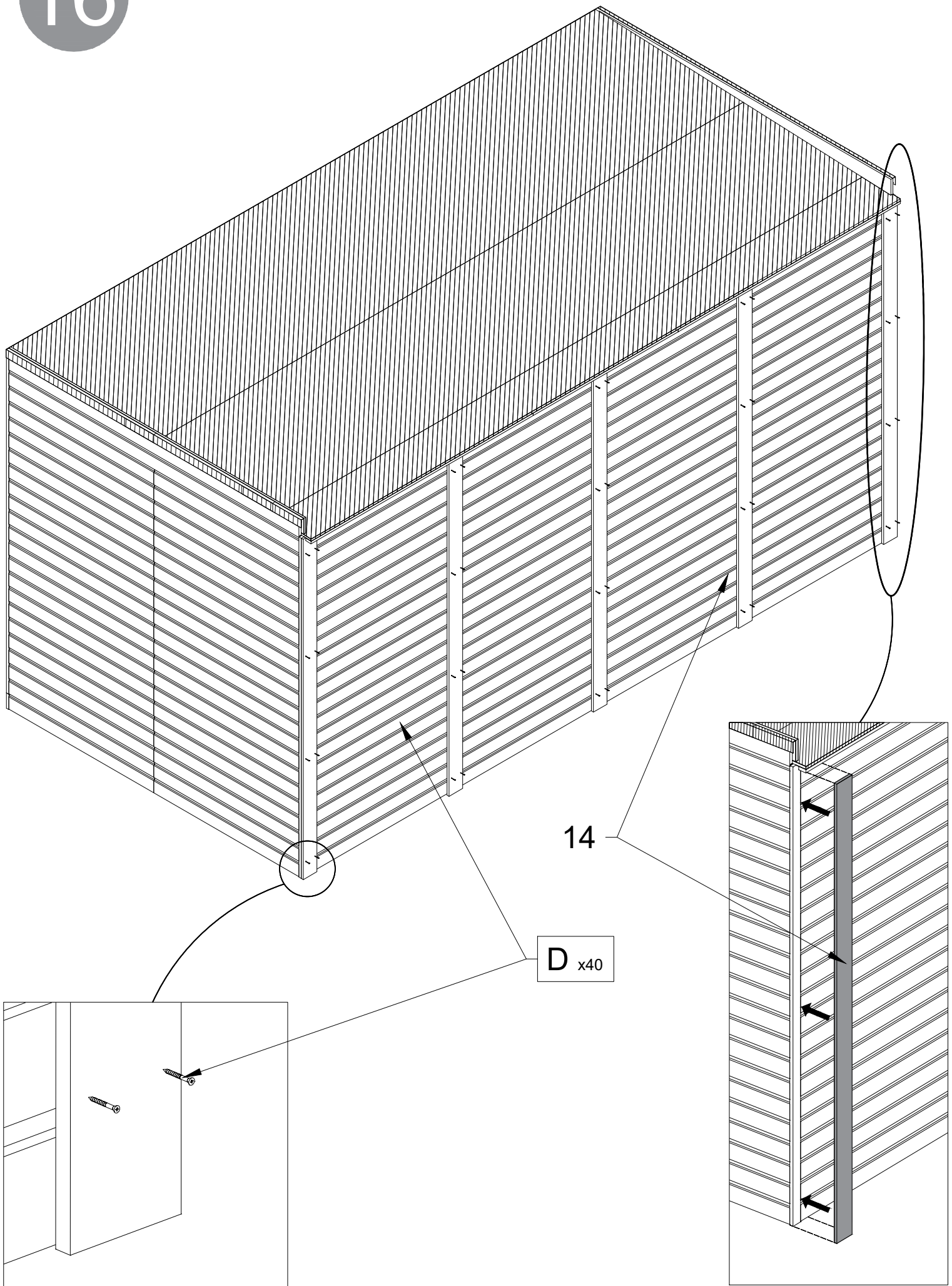
15



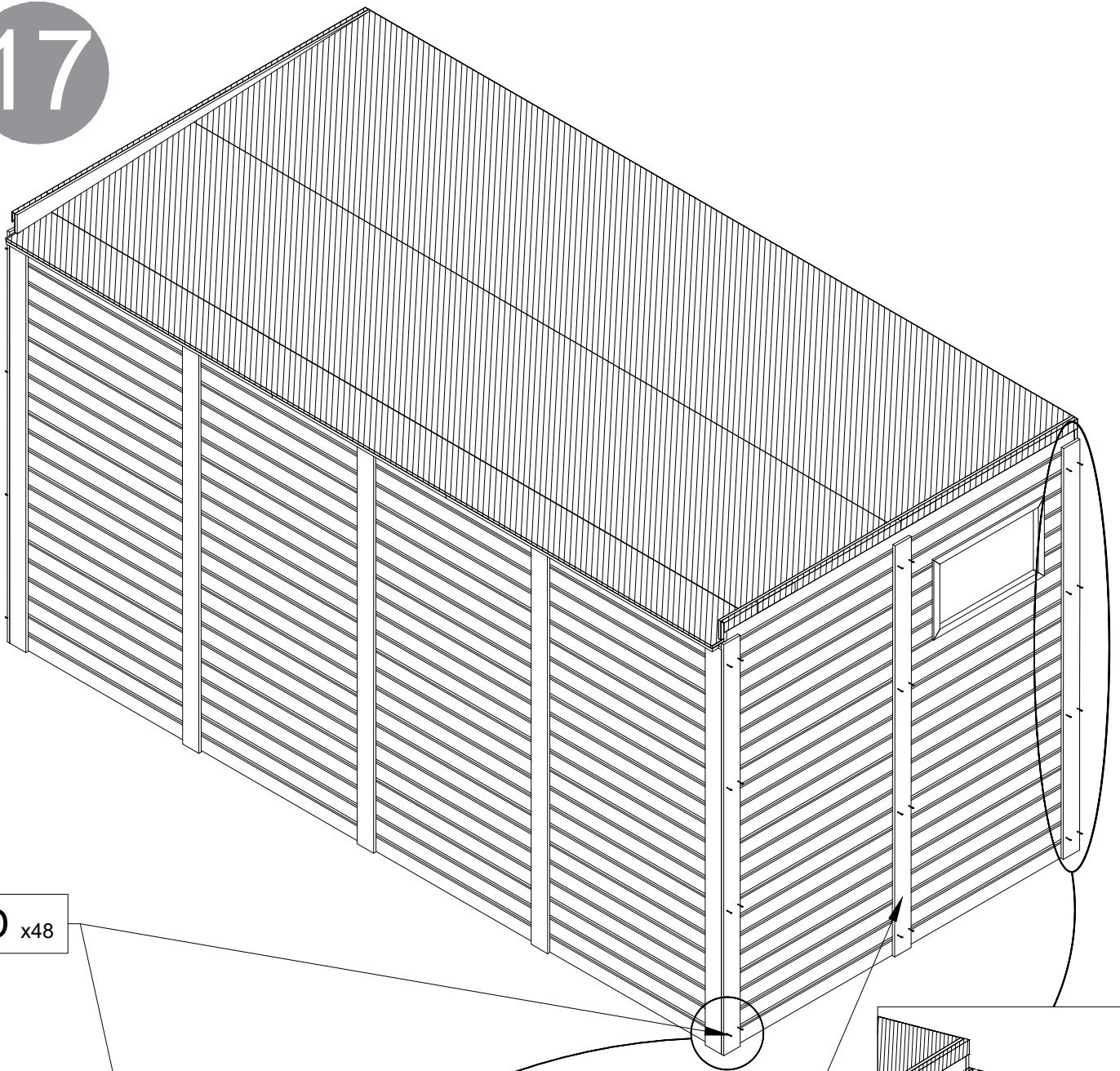
18

D x14

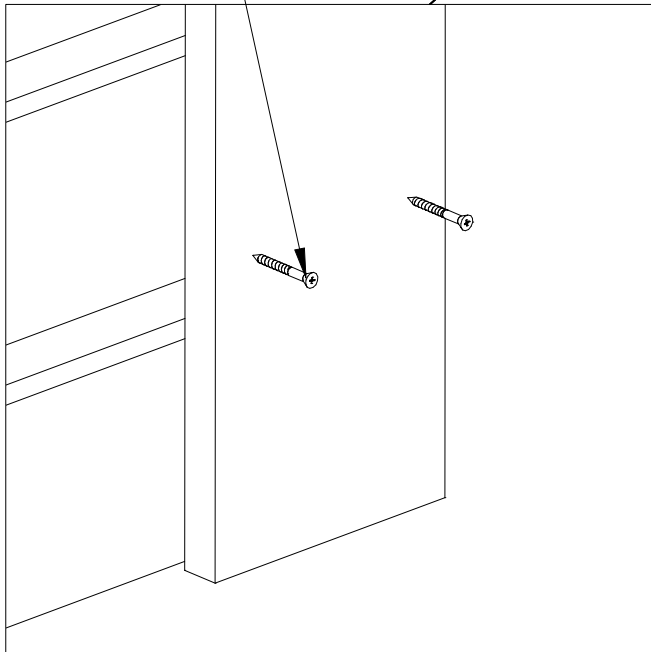
16



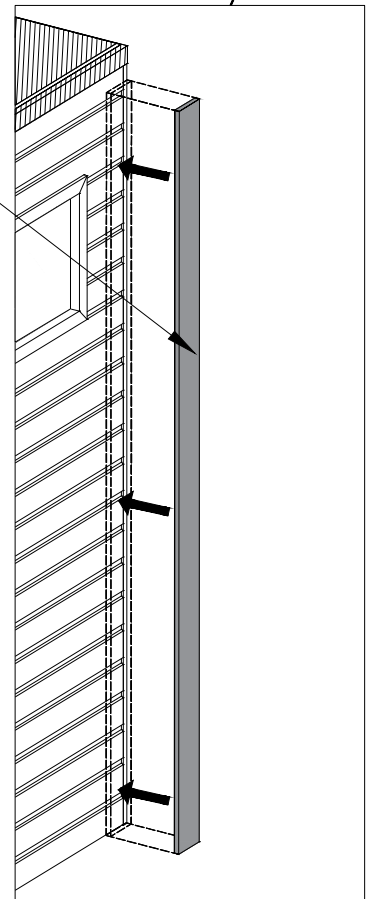
17



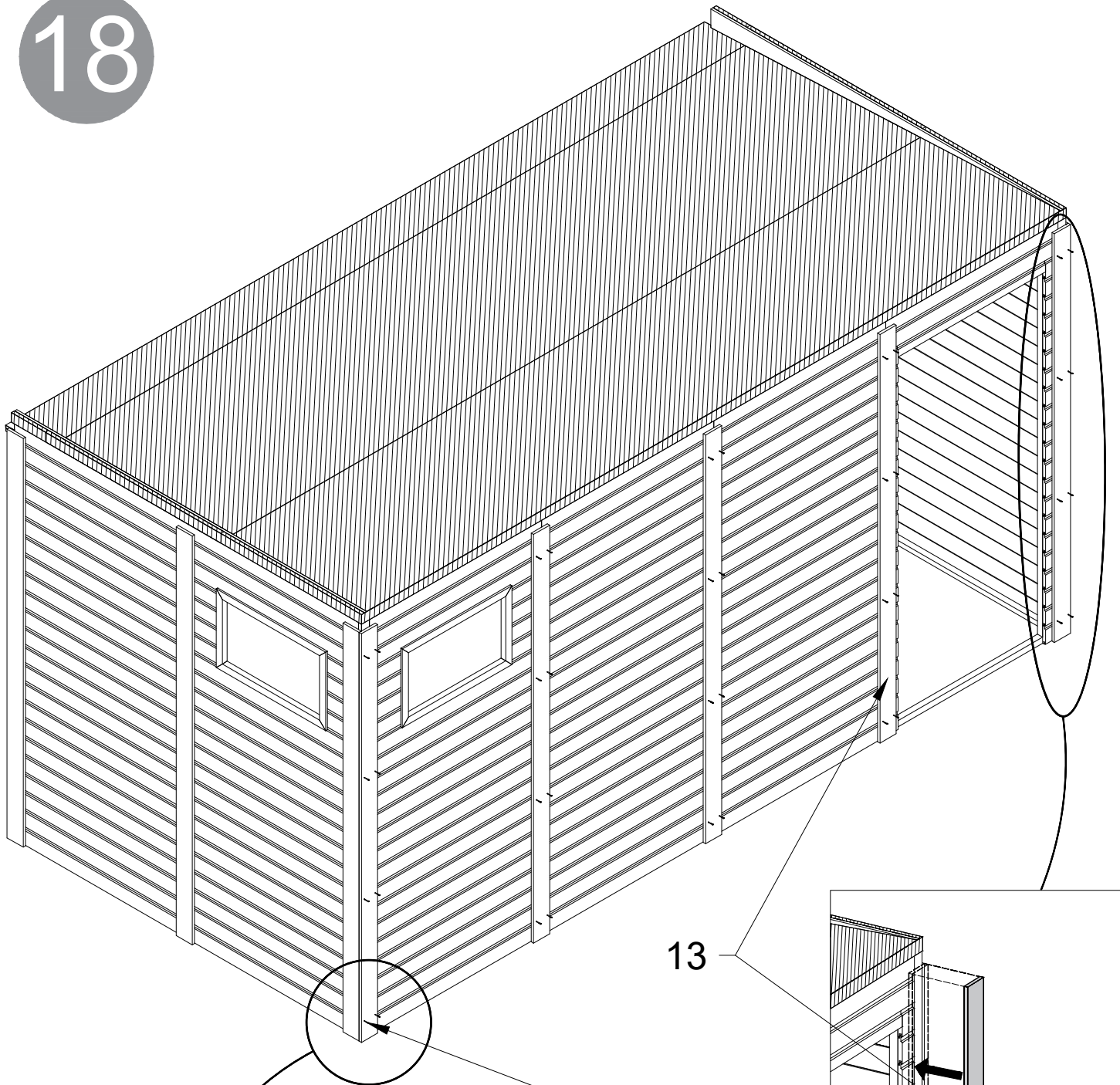
D x48



13

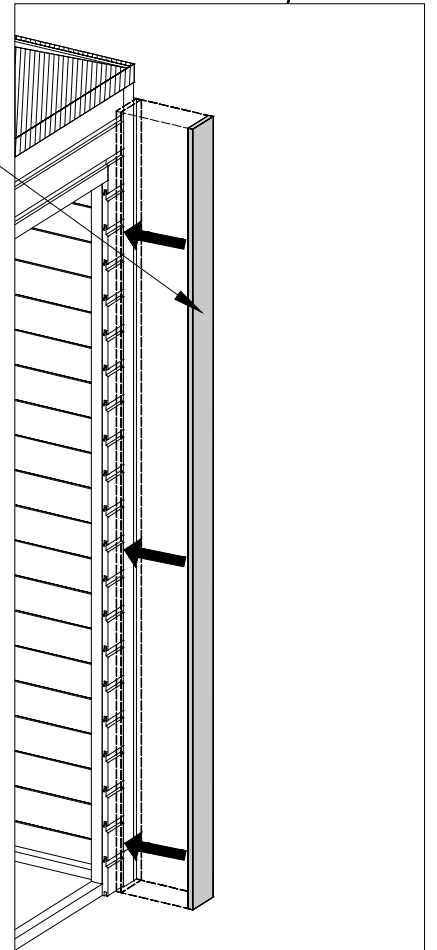
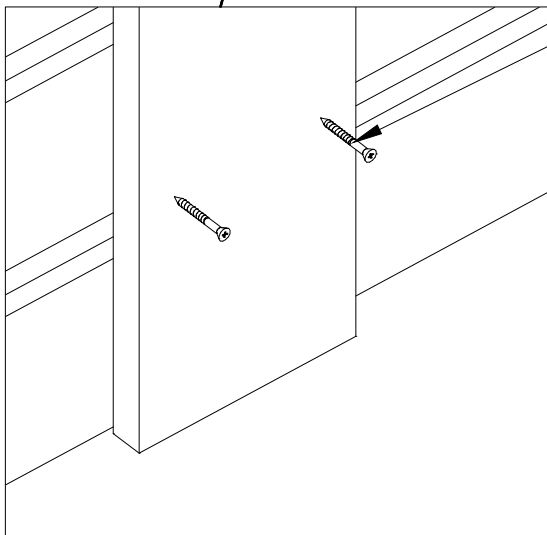


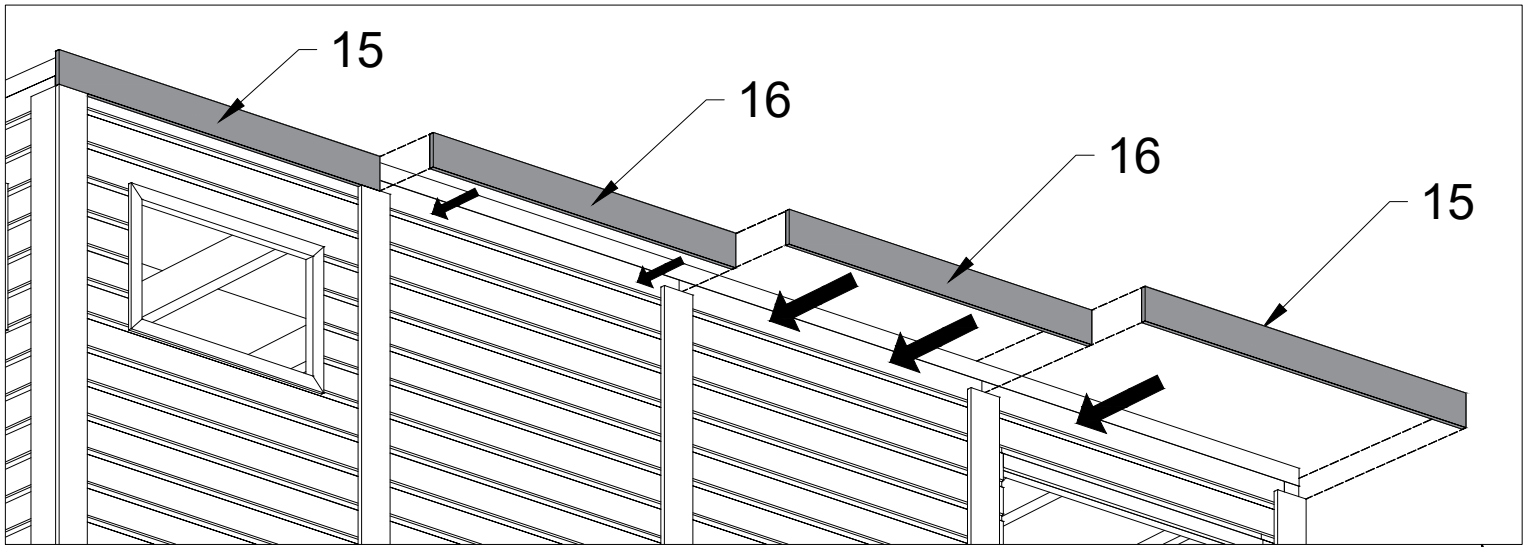
18



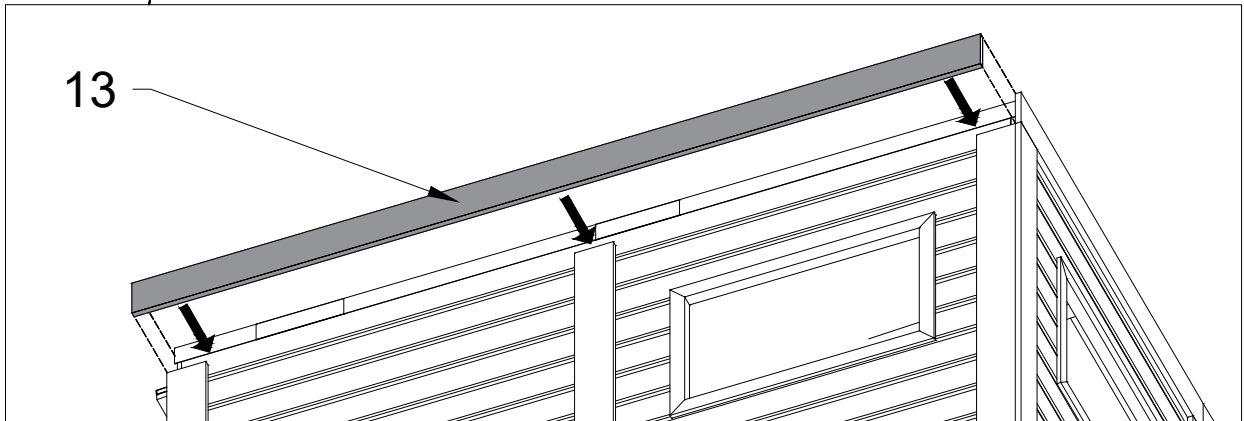
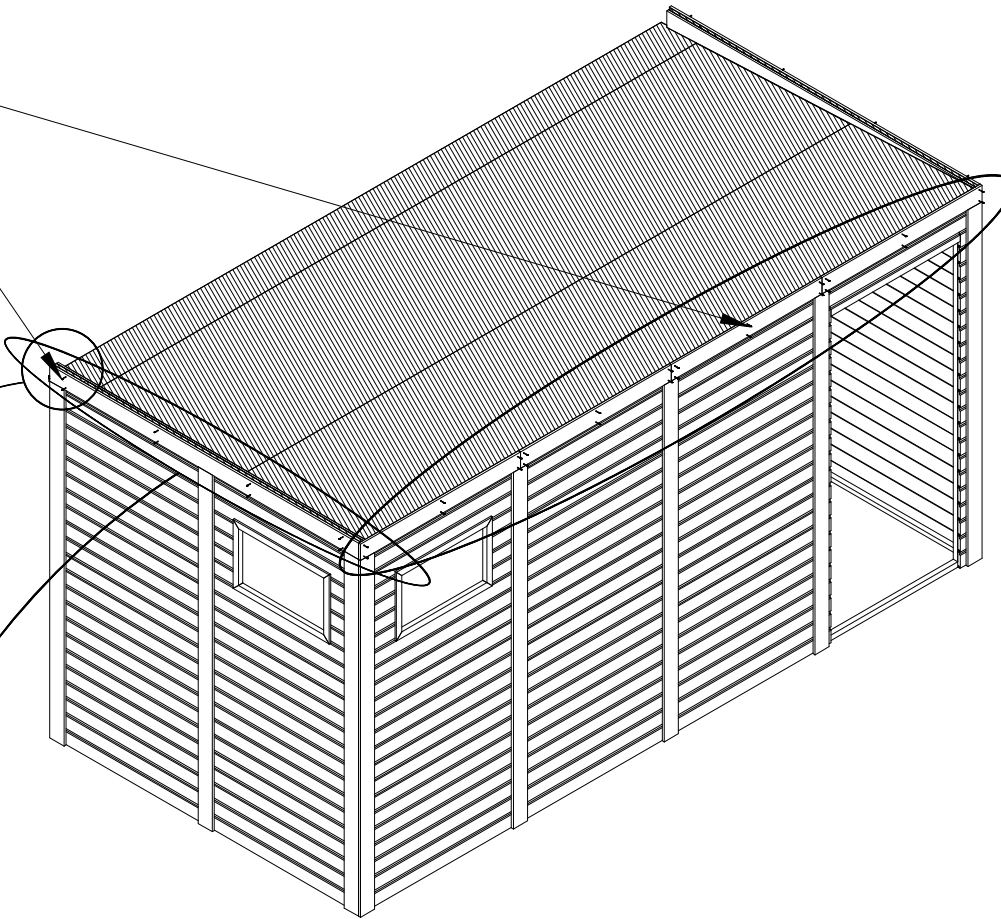
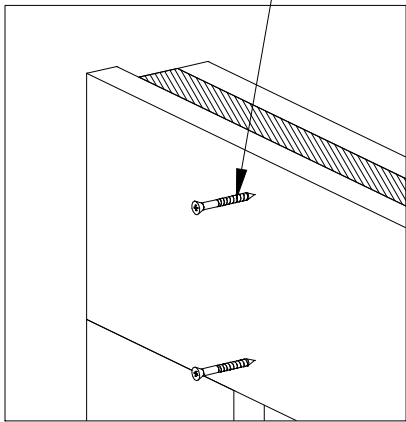
13

D x40

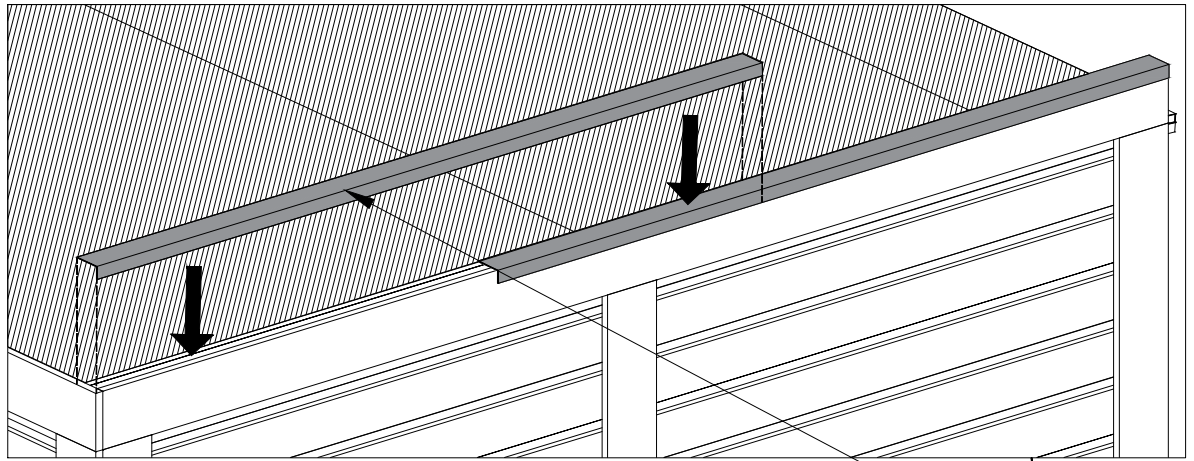




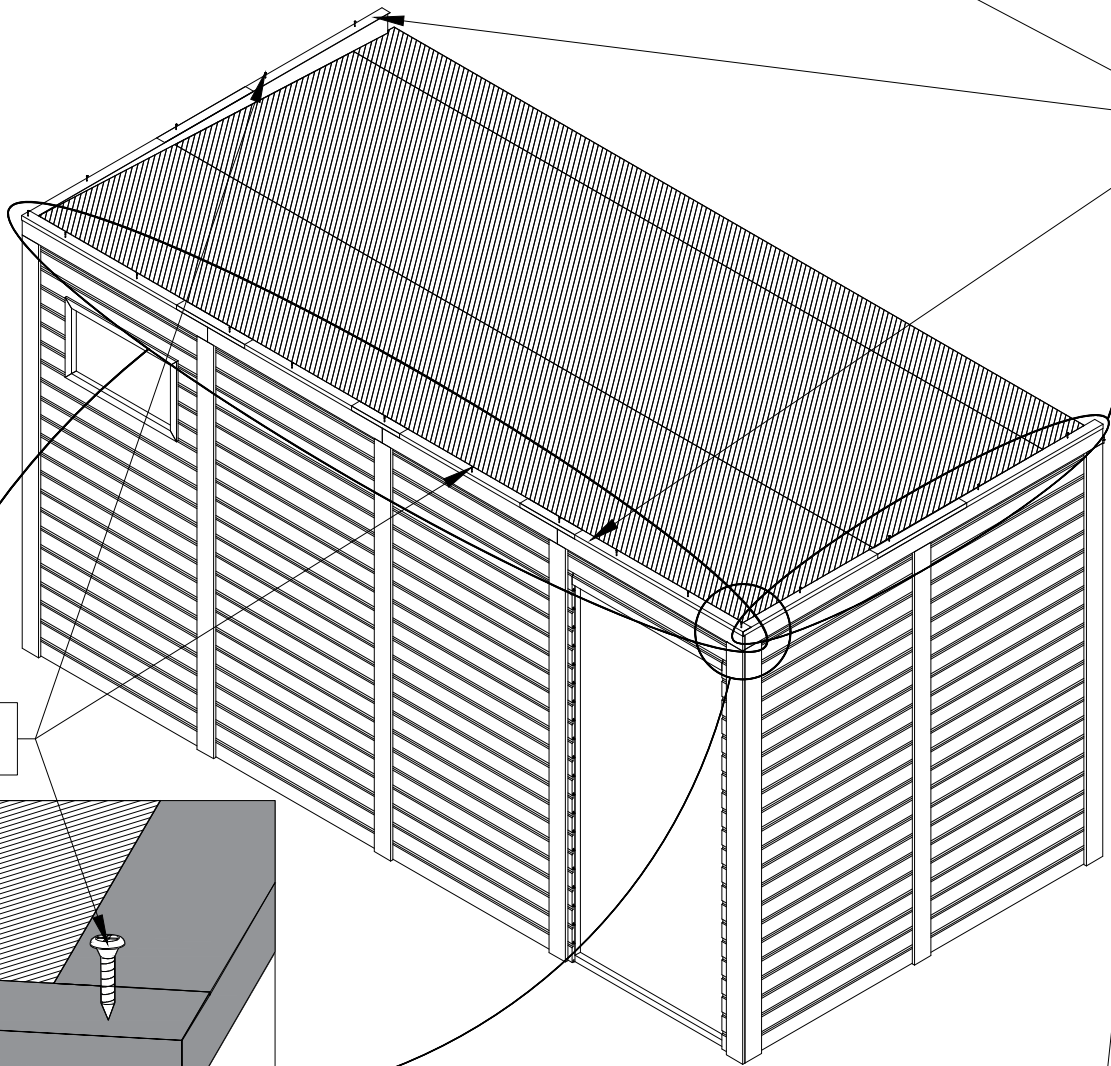
D x40



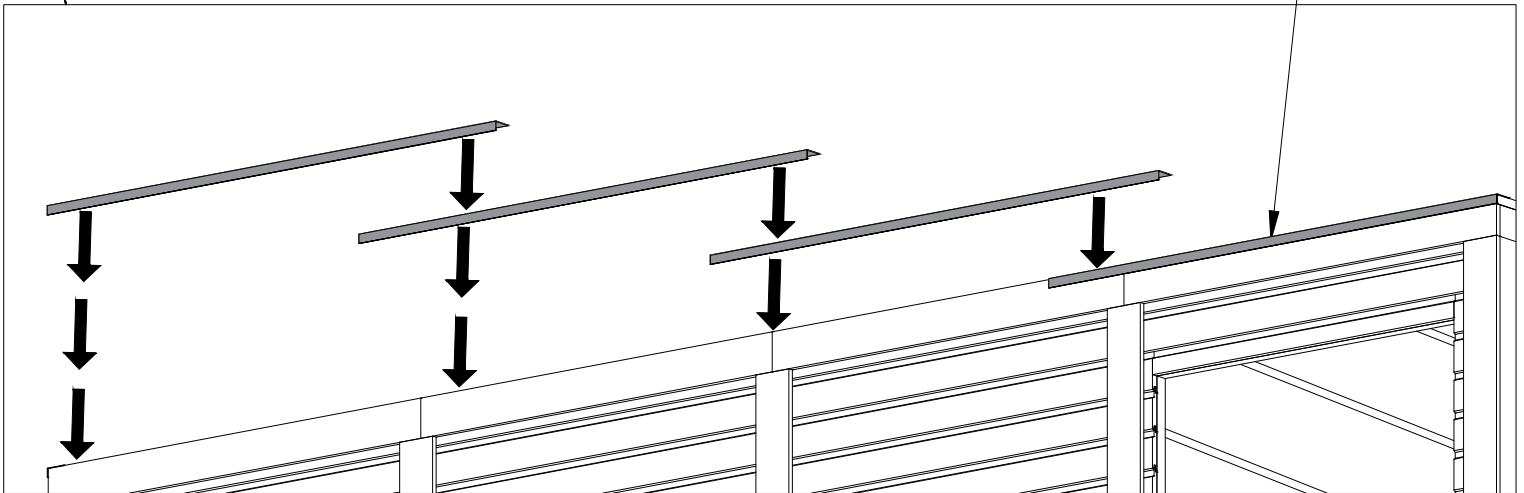
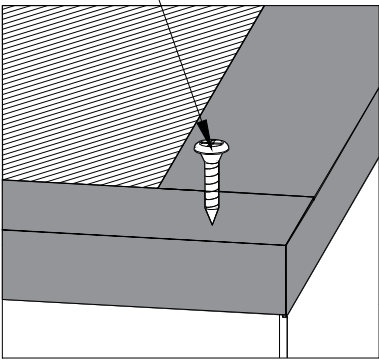
20



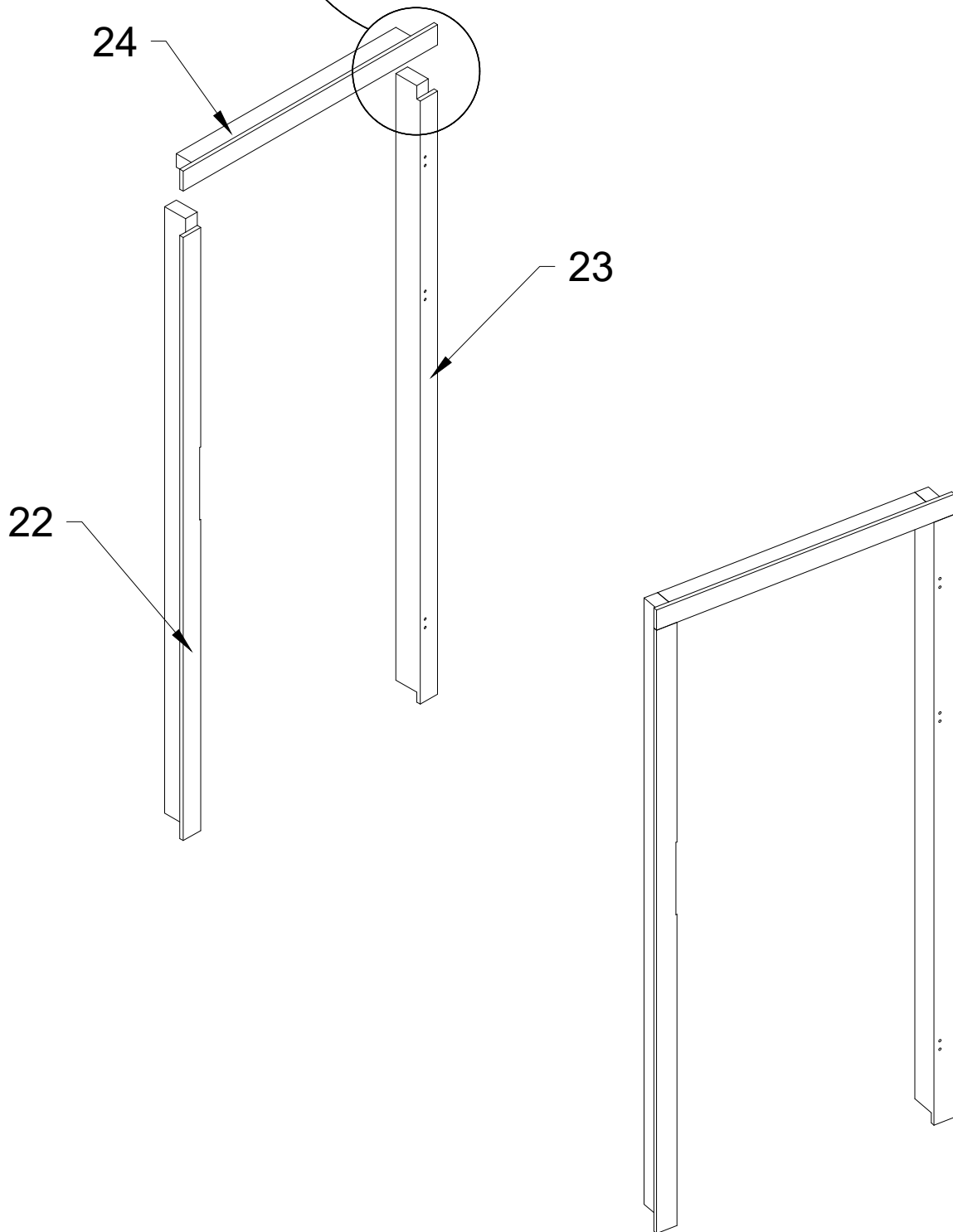
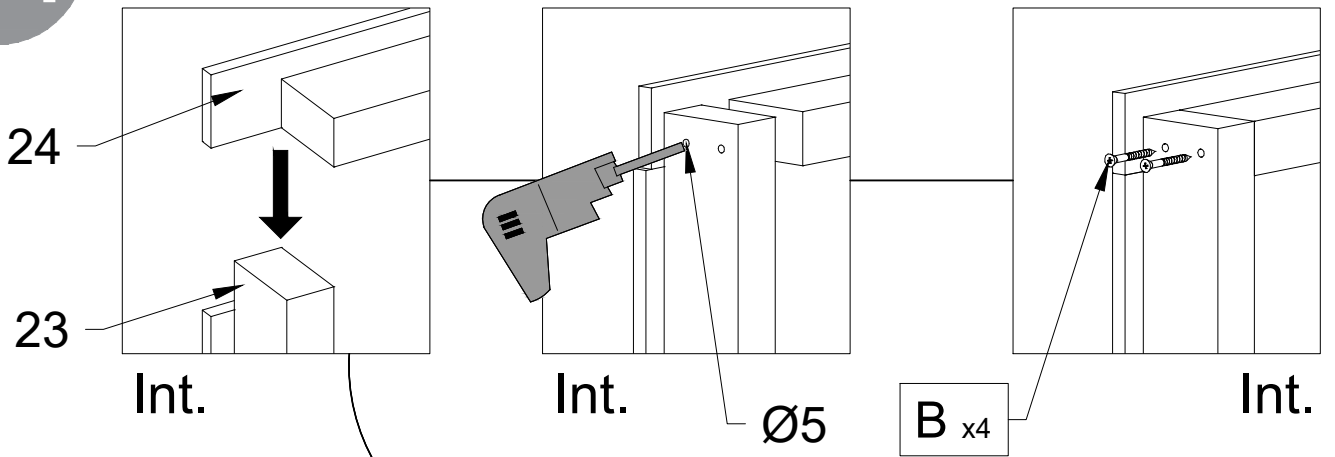
26

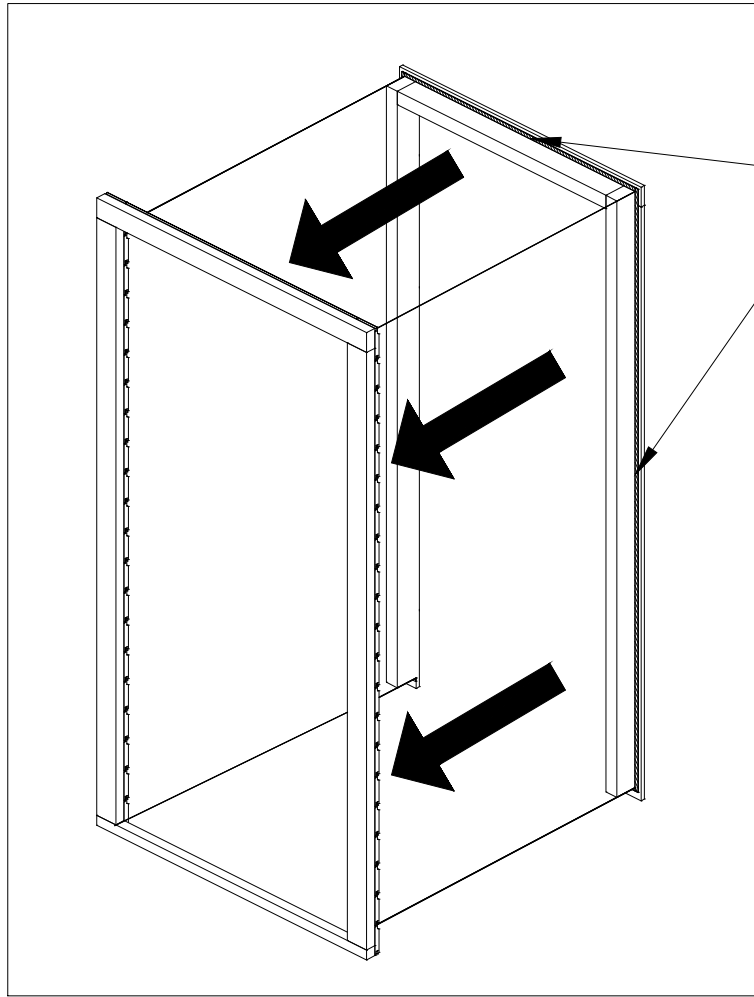


E x19

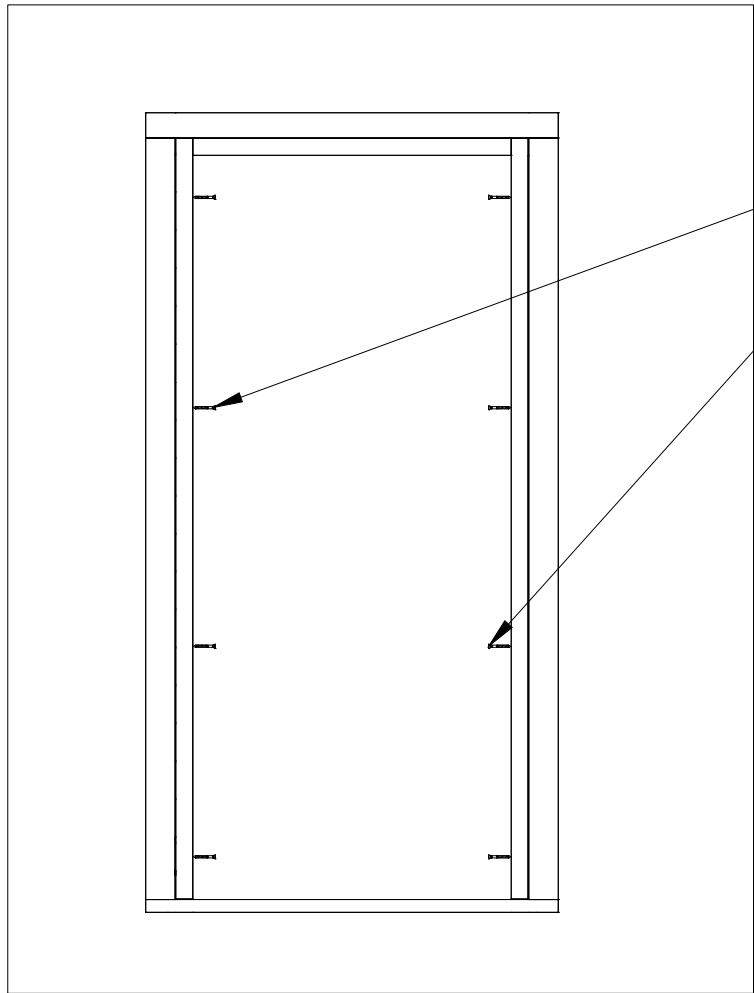


21





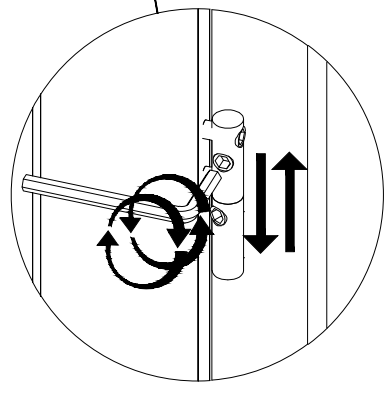
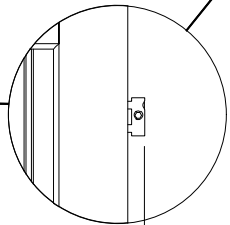
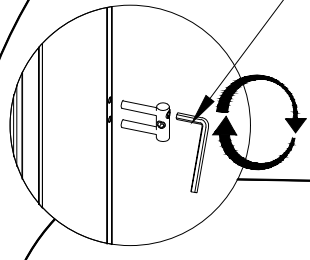
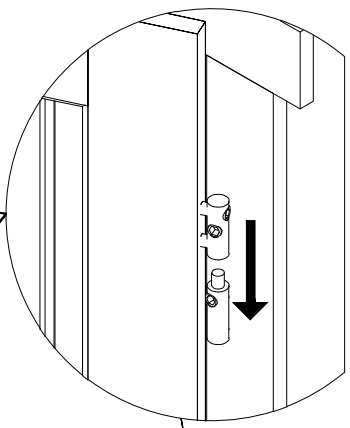
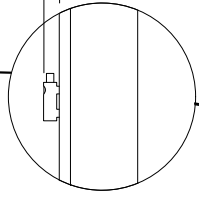
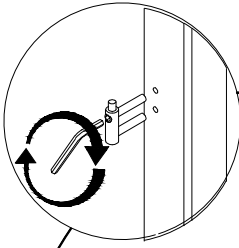
Sealant  
not  
included



**B** x8

23

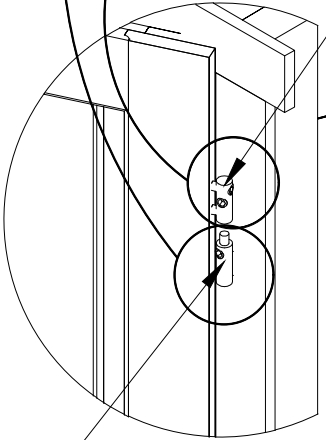
14-19mm



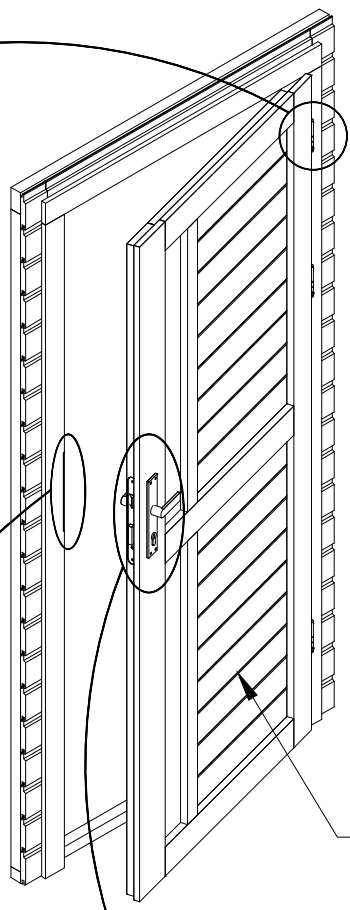
34

30

14-19mm



31

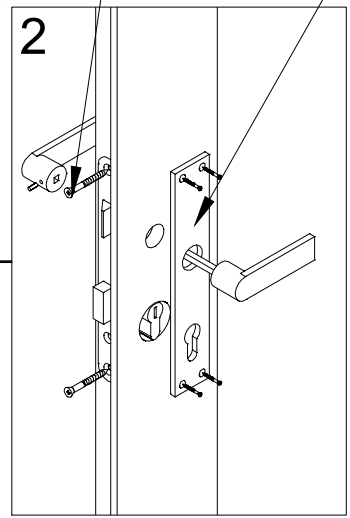
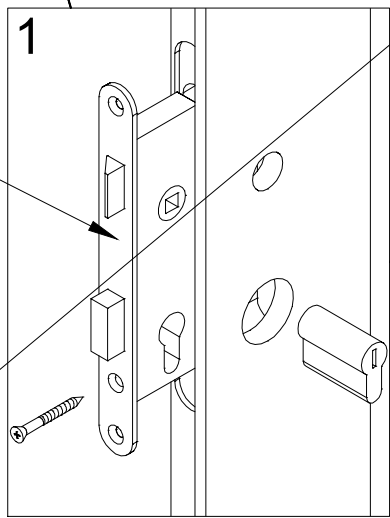
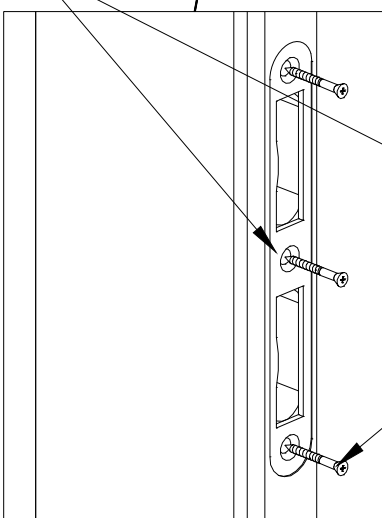


25

32

D x5

33



24

MAX  
120 kg/m<sup>2</sup>

