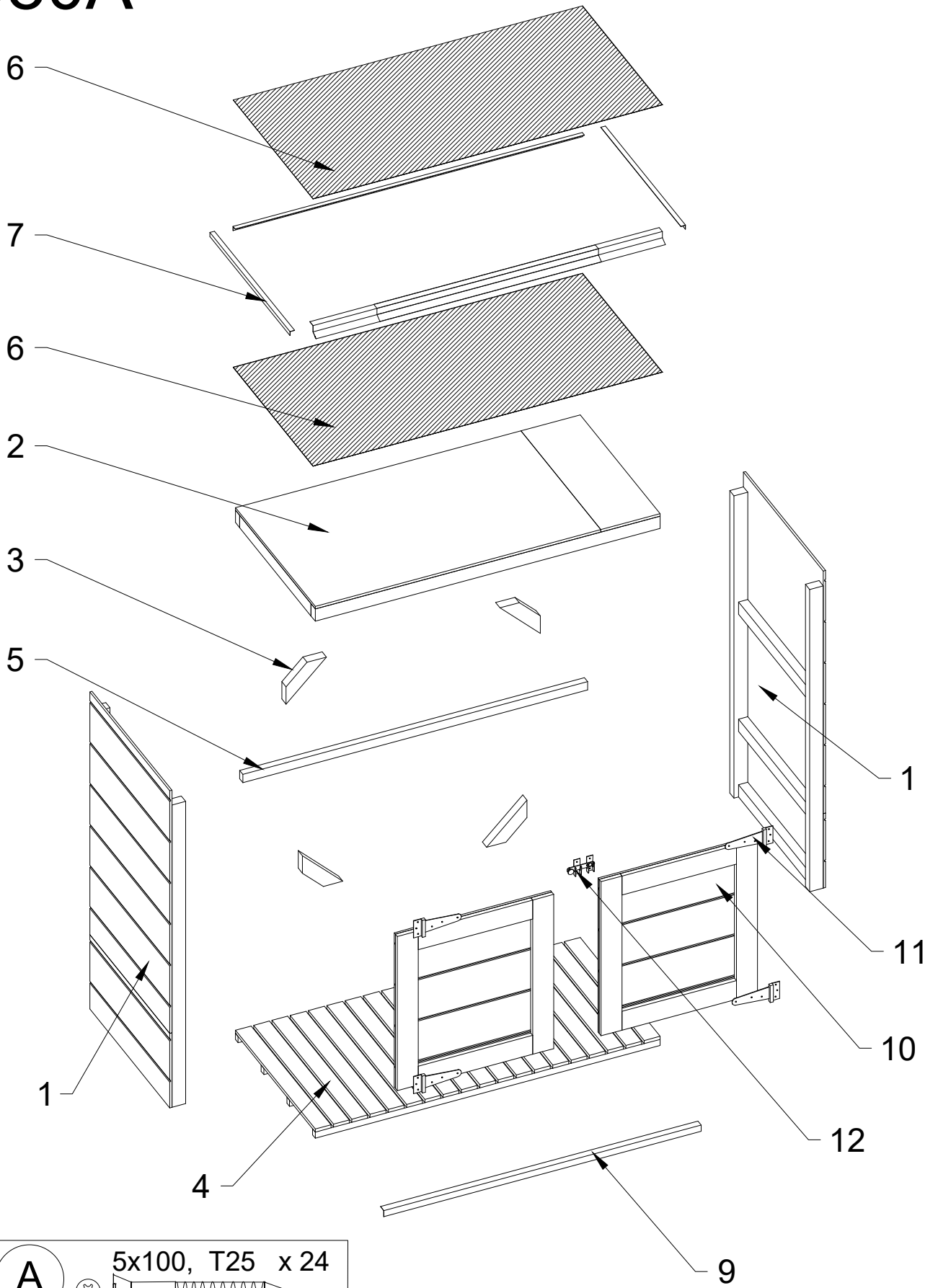




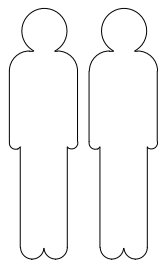
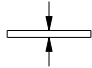
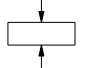
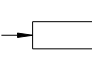
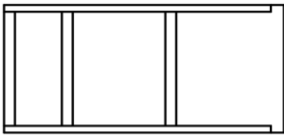


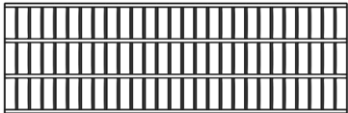

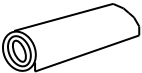
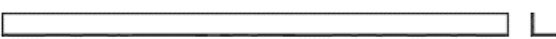
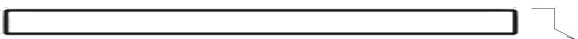

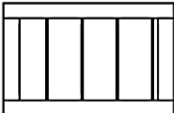
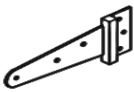
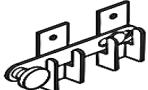




# M980A

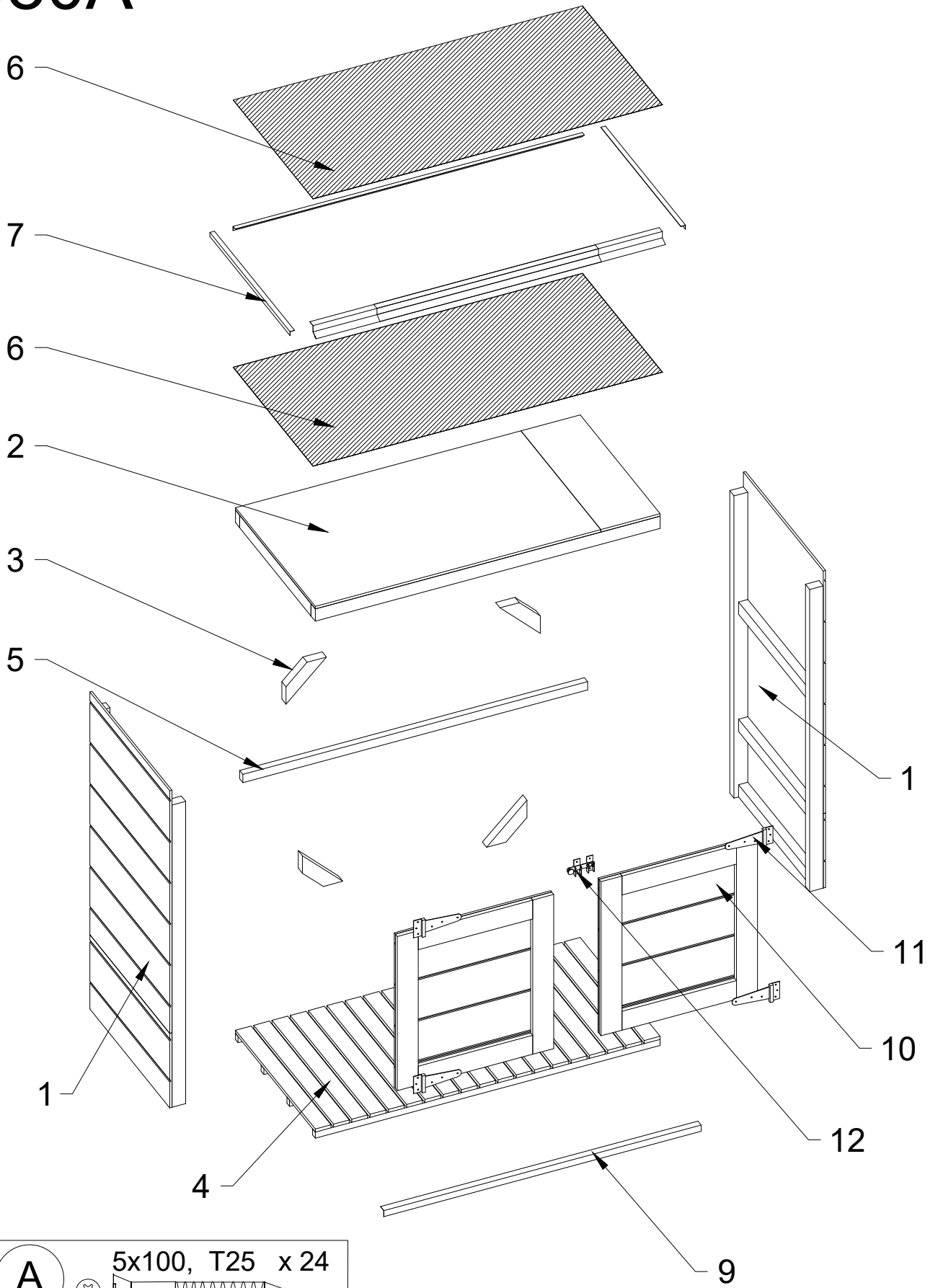






- |          |   |                 |
|----------|---|-----------------|
| <b>A</b> |  | 5x100, T25 x 24 |
| <b>B</b> |  | 4x60, T20 x 12  |
| <b>C</b> |  | 4x20, T20 x 16  |
| <b>D</b> |  | 4x40, T20 x 34  |

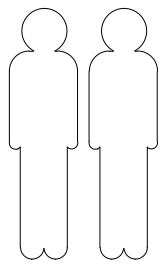


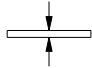
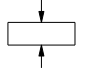
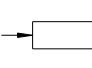
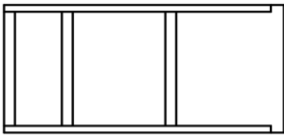


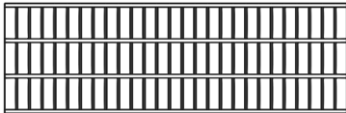


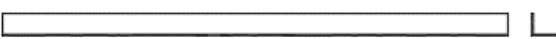
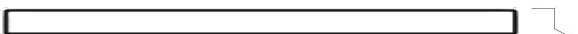

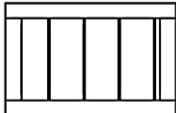
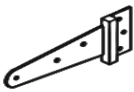
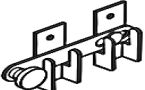


№	BOX 1	PCS	 mm	 mm	 mm
1		2		750	1542
2		1		750	1510
3		4	40	60	250
4		1		750	1510
5		1	30	60	1510
6		2		780	1600
7		2	20	20	1660
8		2			1250
9		1	20	20	1386
10		2		685	750
11		4			
12		1			
13		1	T25		
14		1	T20		

# M980A



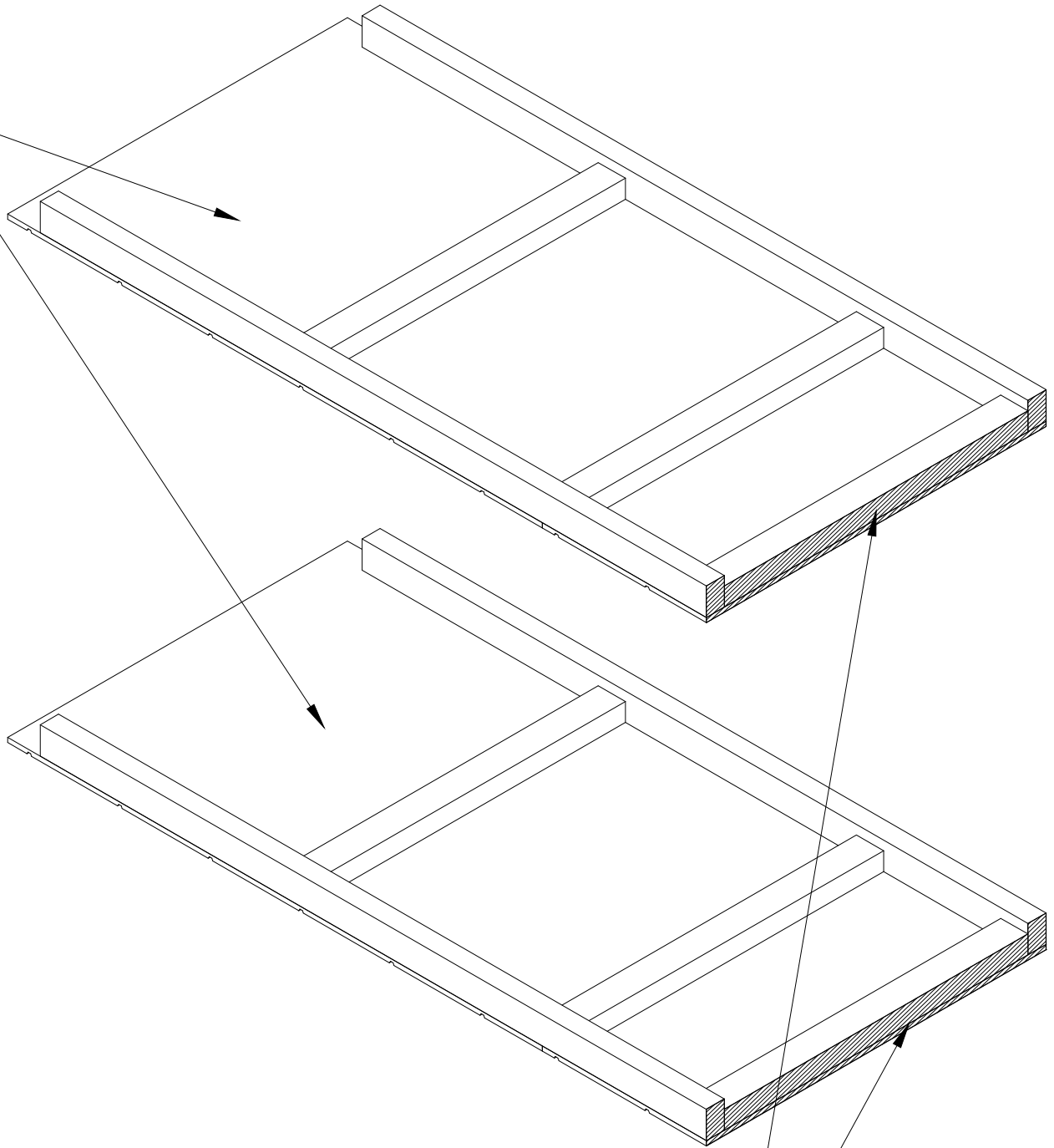
- |          |   |                 |
|----------|---|-----------------|
| <b>A</b> |  | 5x100, T25 x 24 |
| <b>B</b> |  | 4x60, T20 x 12  |
| <b>C</b> |  | 4x20, T20 x 16  |
| <b>D</b> |  | 4x40, T20 x 34  |



№	BOX 1	PCS	 mm	 mm	 mm
1		2		750	1542
2		1		750	1510
3		4	40	60	250
4		1		750	1510
5		1	30	60	1510
6		2		780	1600
7		2	20	20	1660
8		2			1250
9		1	20	20	1386
10		2		685	750
11		4			
12		1			
13		1	T25		
14		1	T20		

1

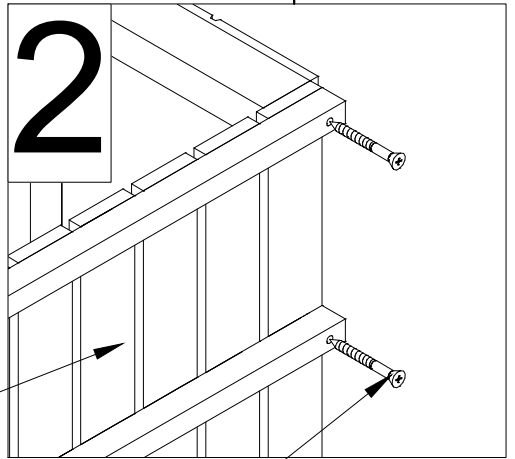
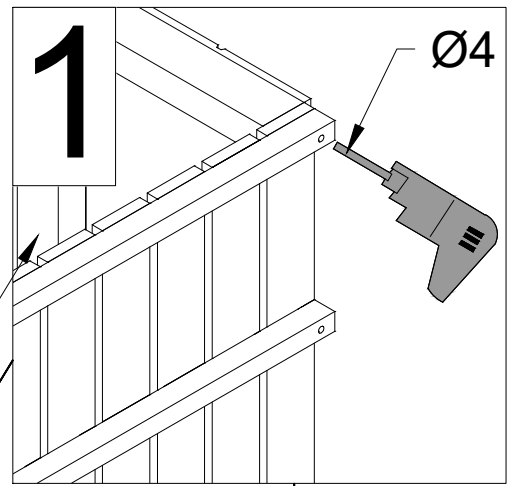
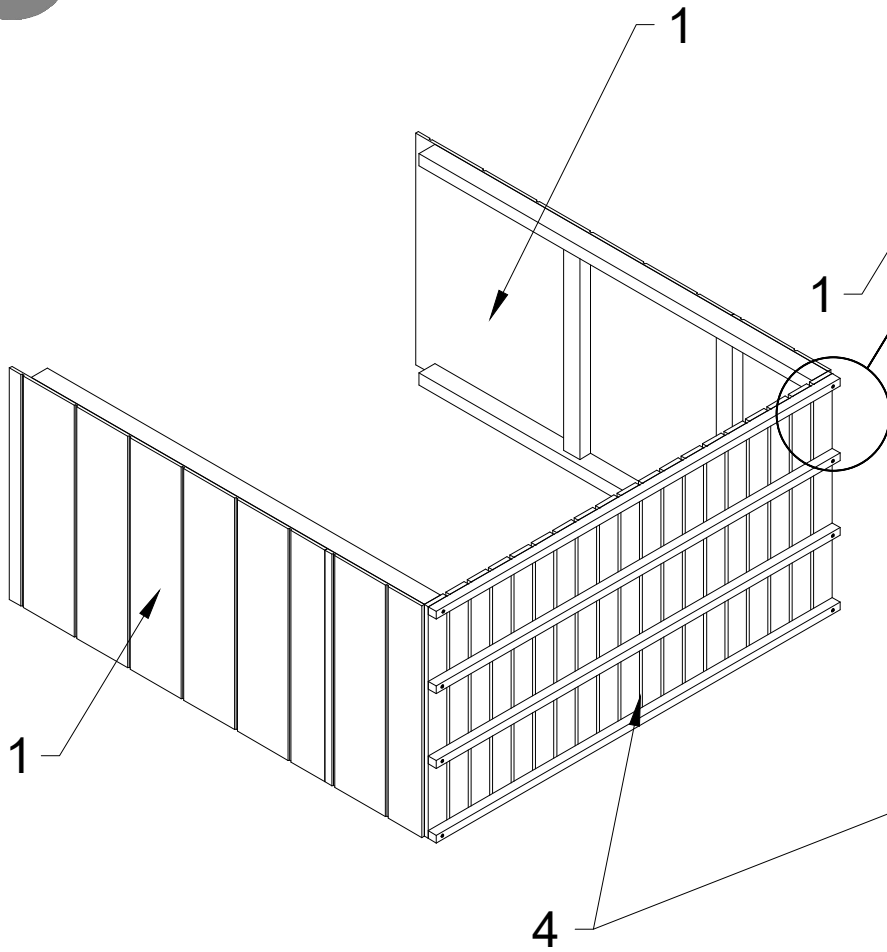
1



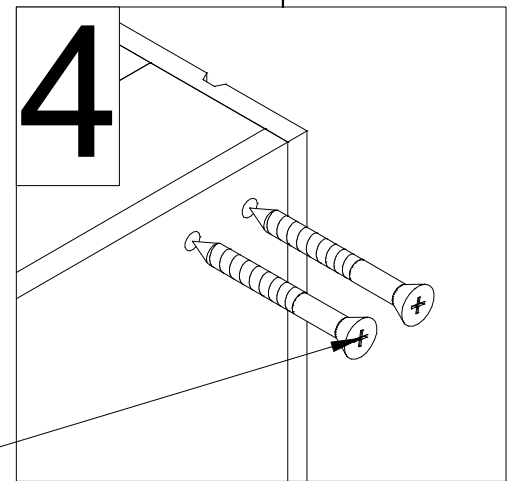
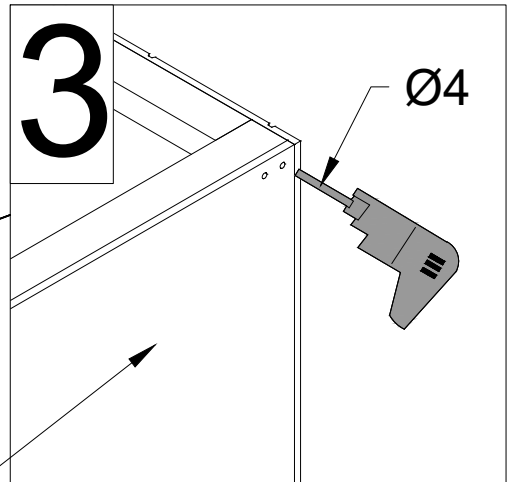
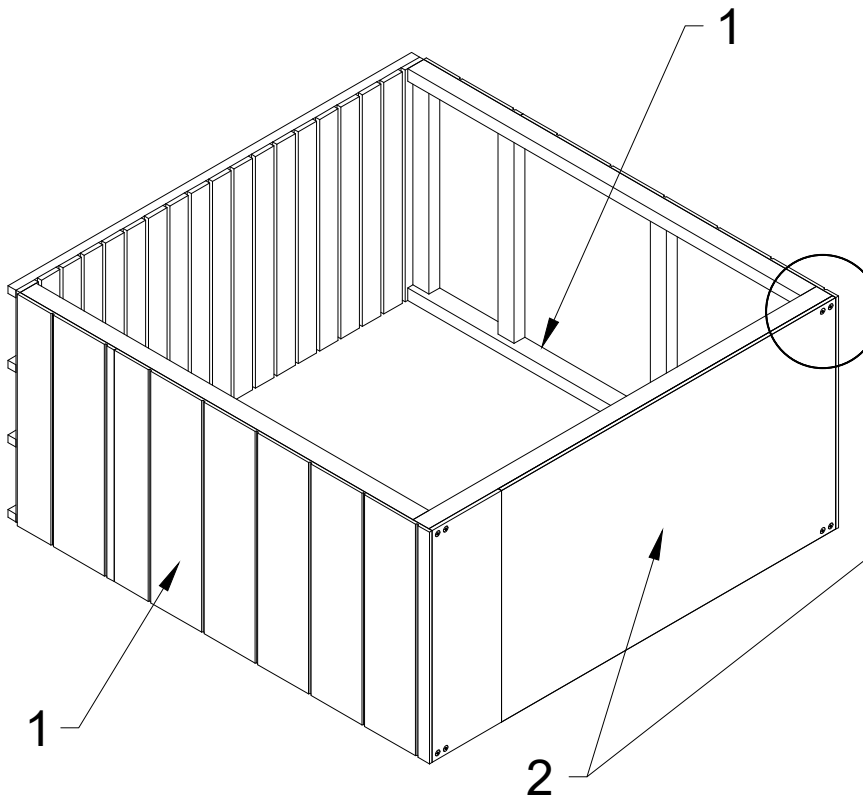
Paint



2

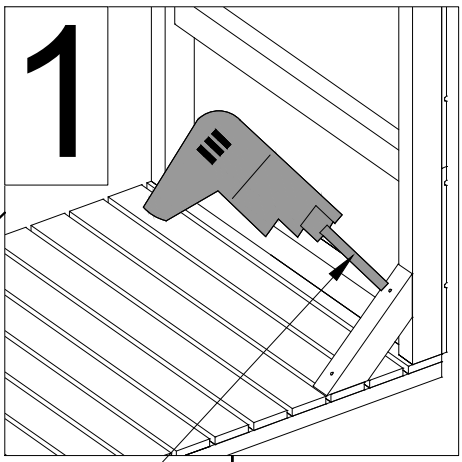
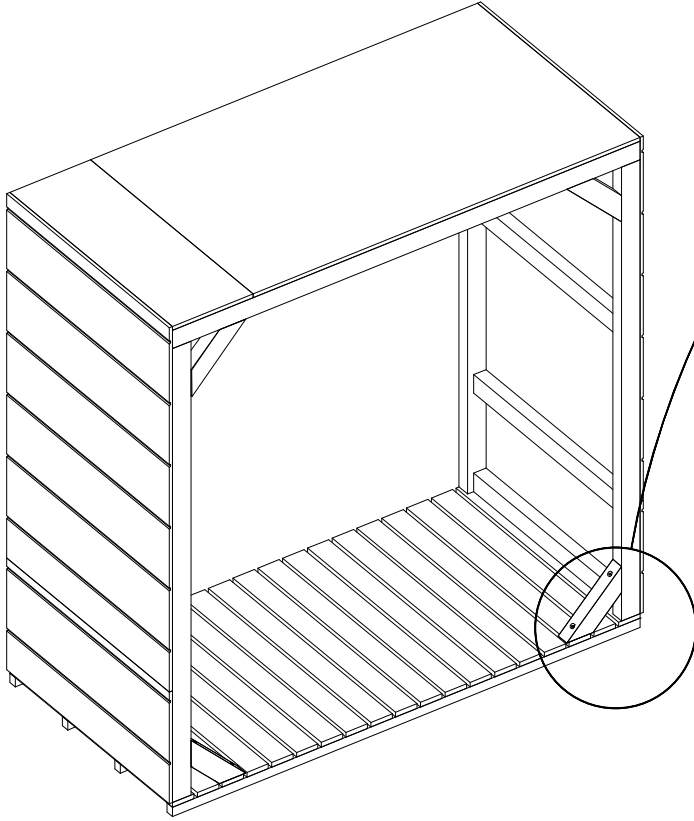


A x8

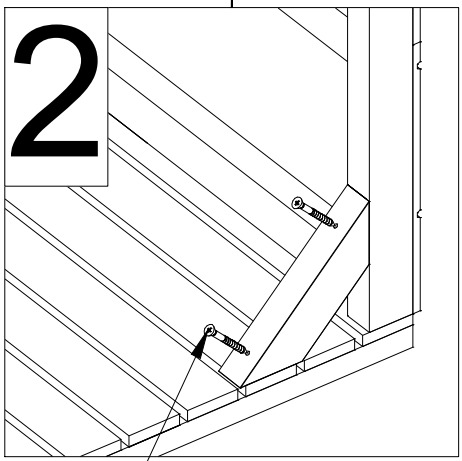


A x8

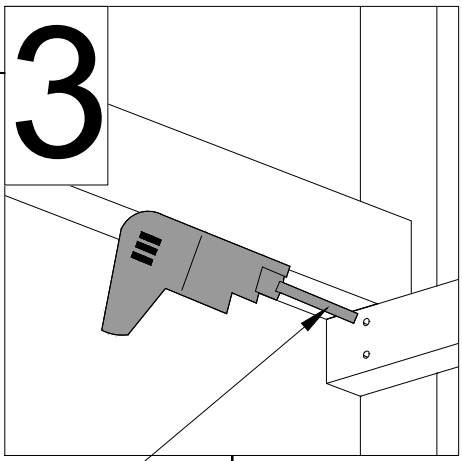
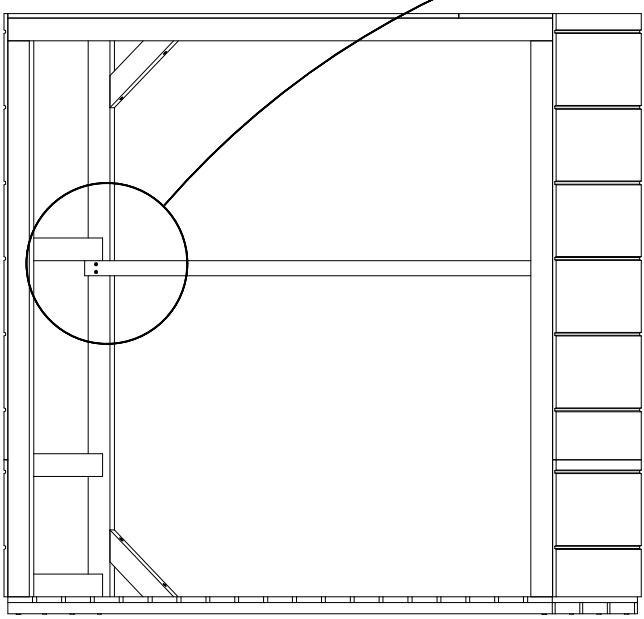
3



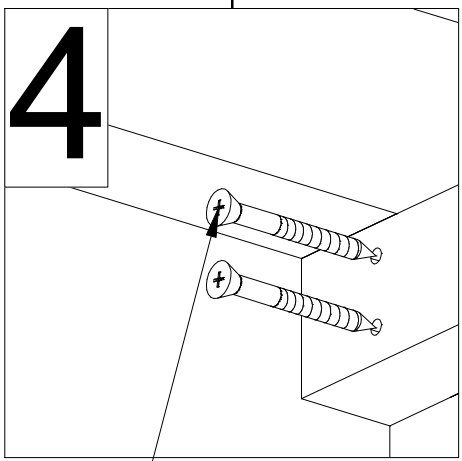
Ø4



B x8

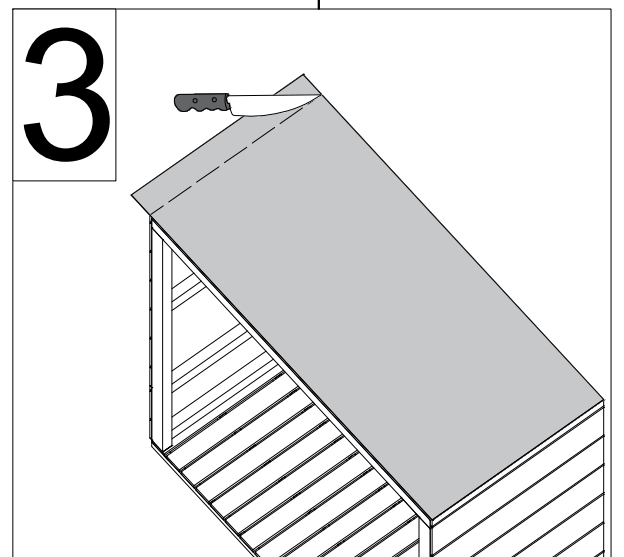
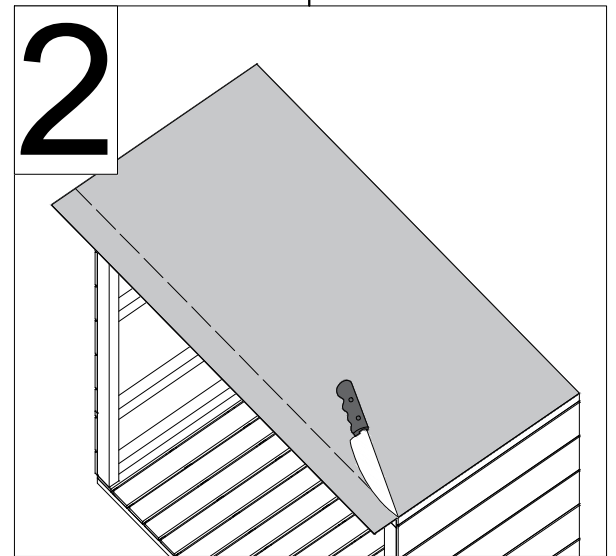
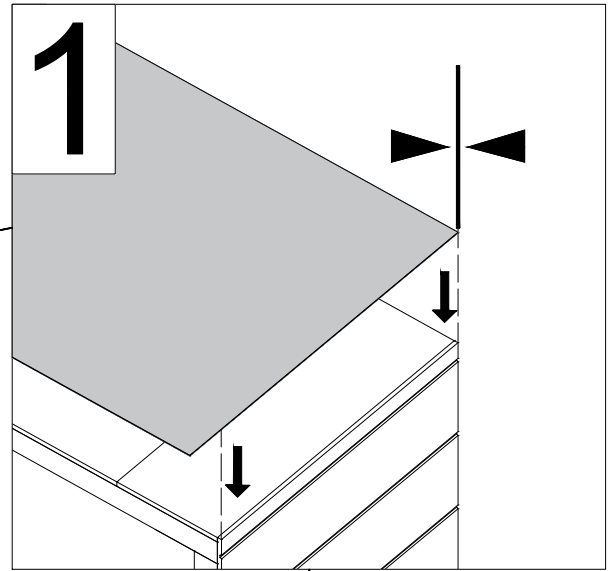
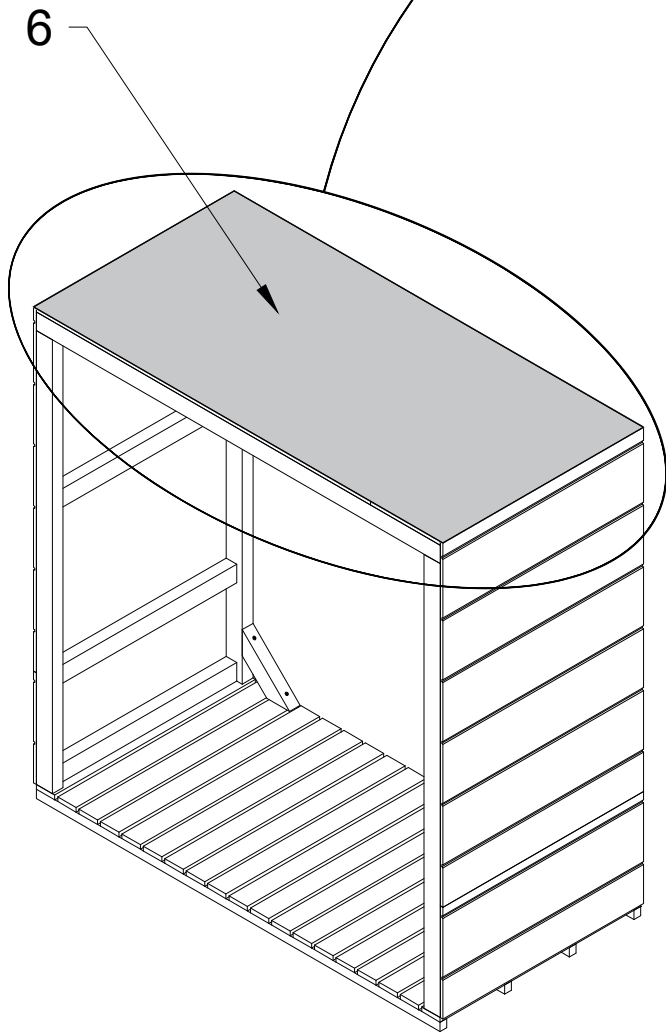


Ø4

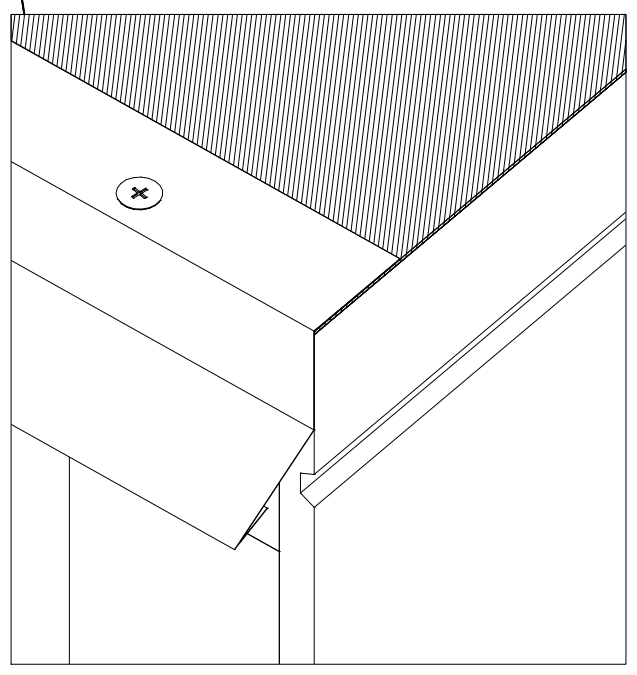
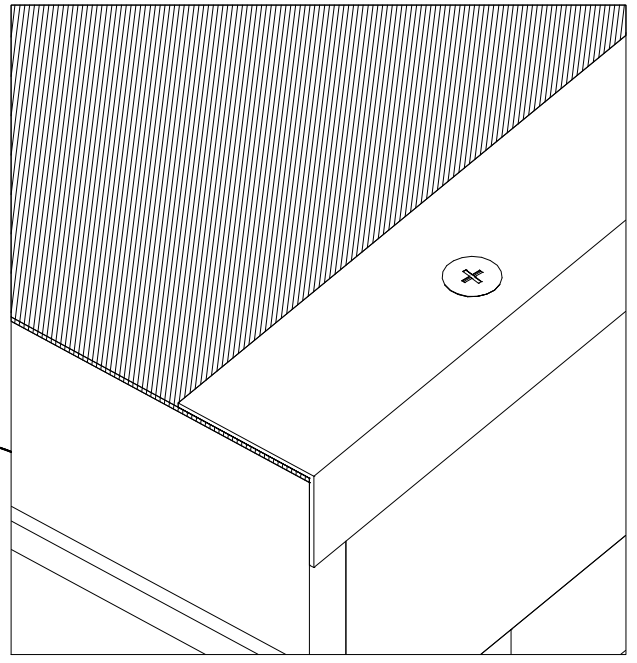
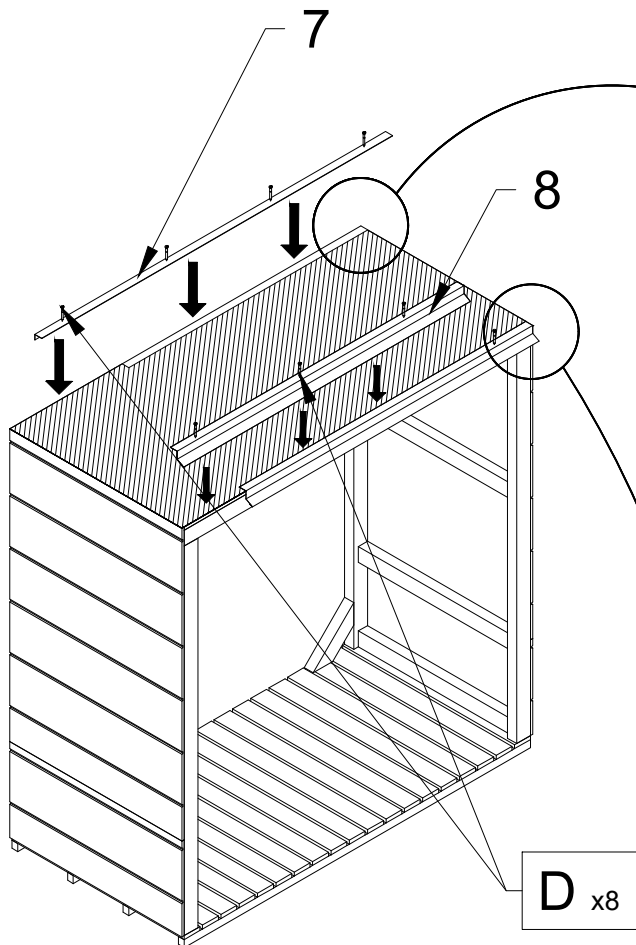


B x4

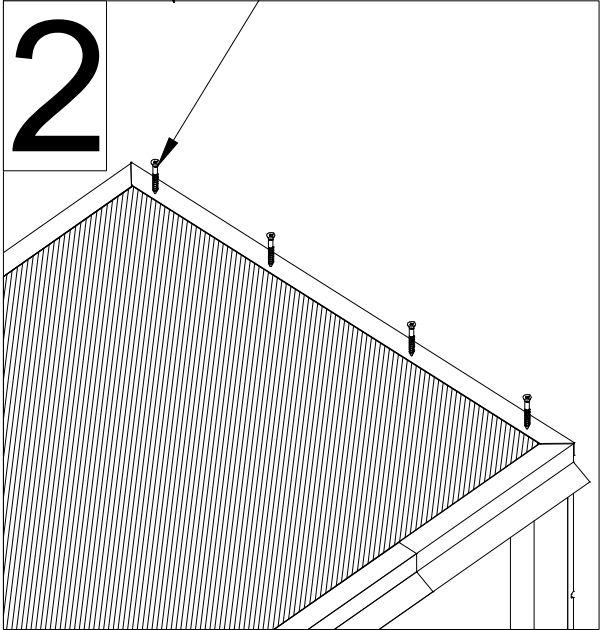
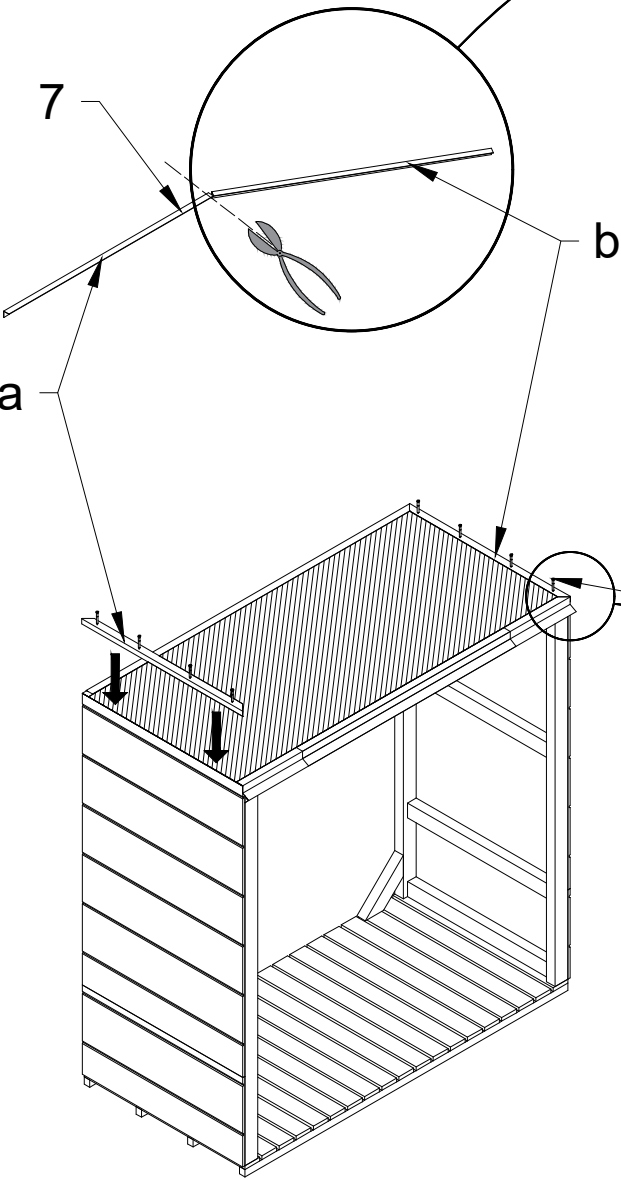
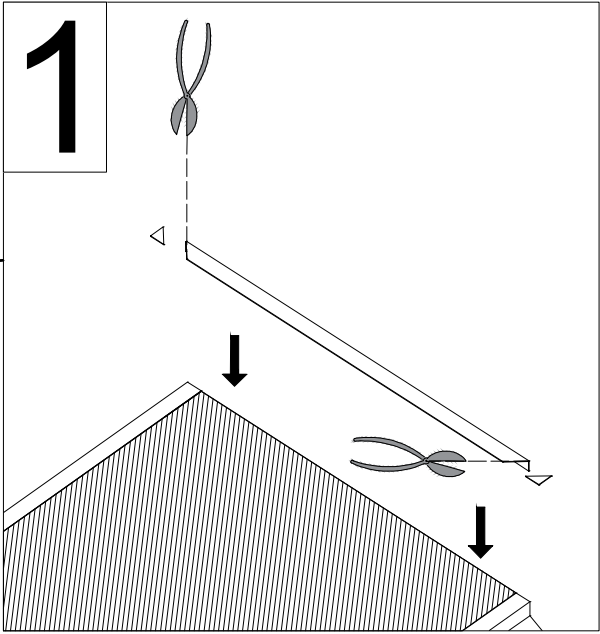
4



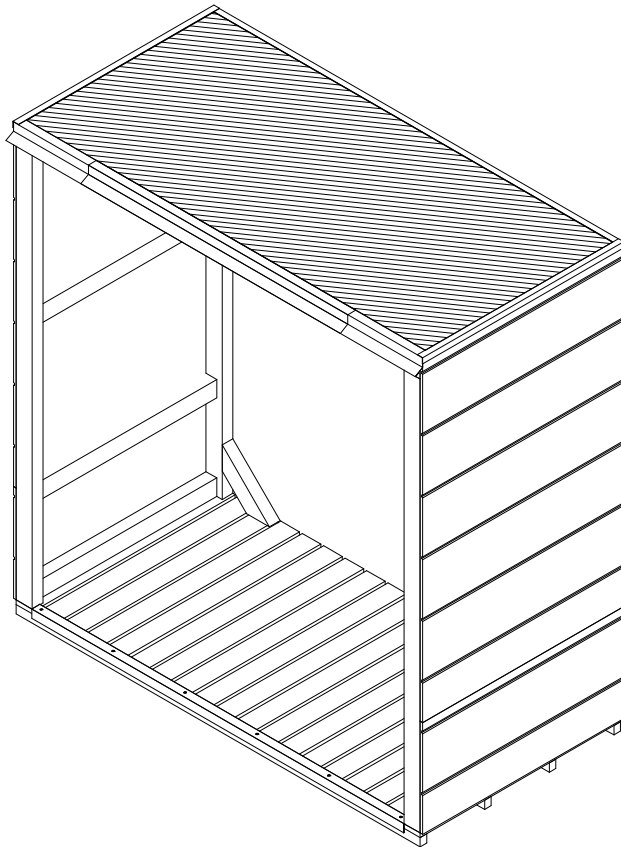
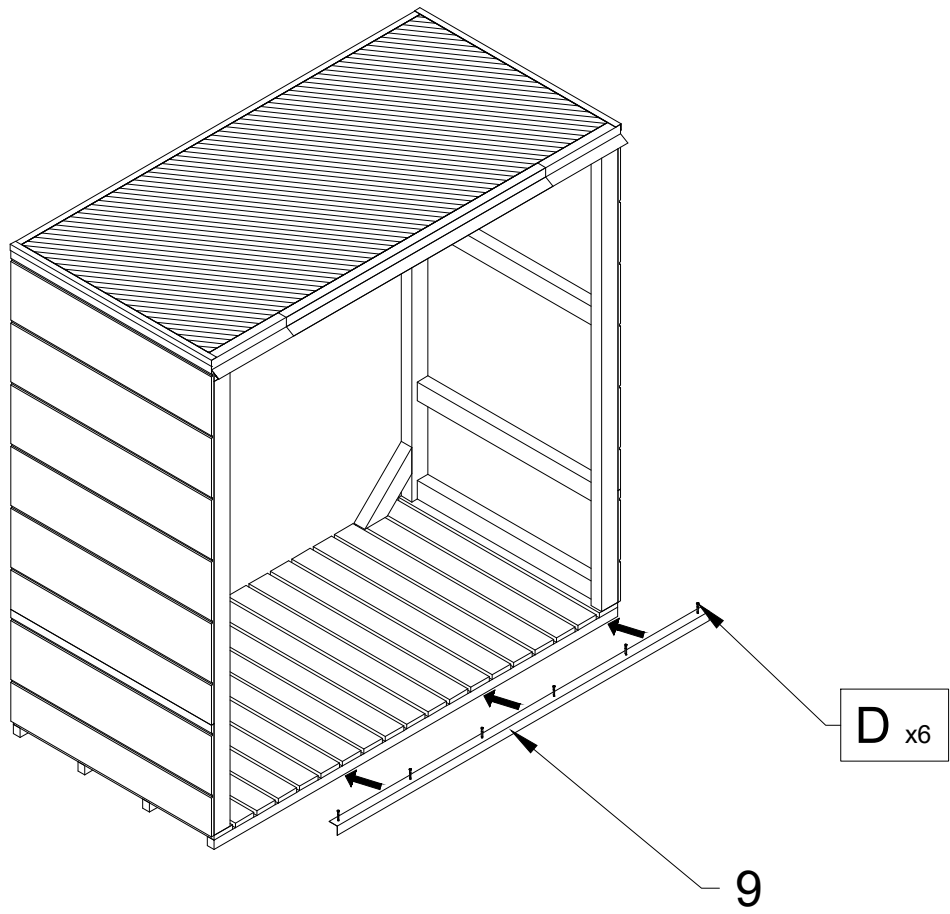
5

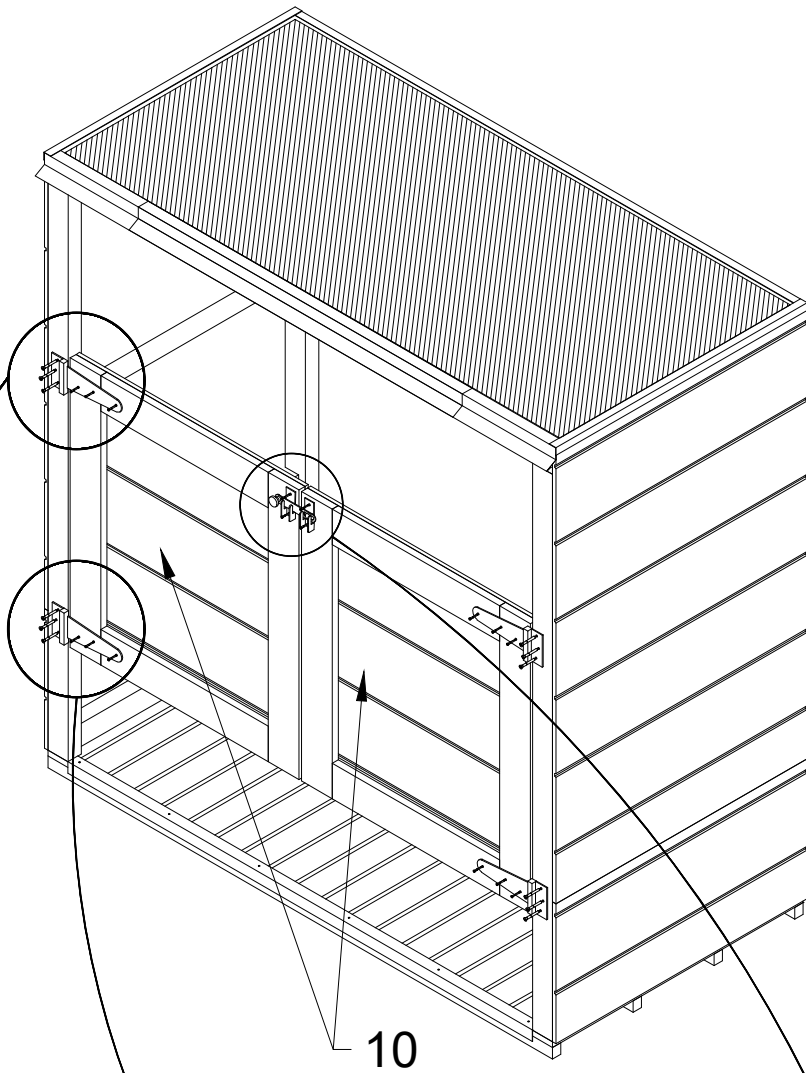


6



7





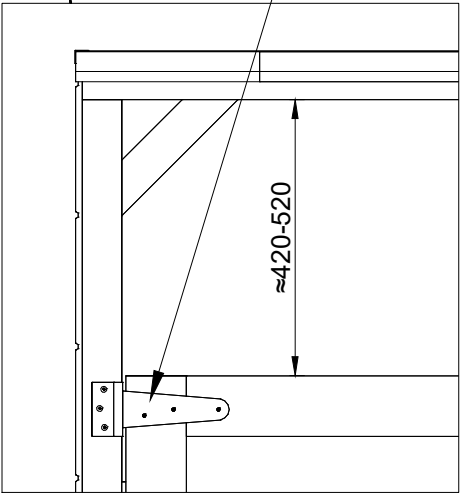
10

D x12

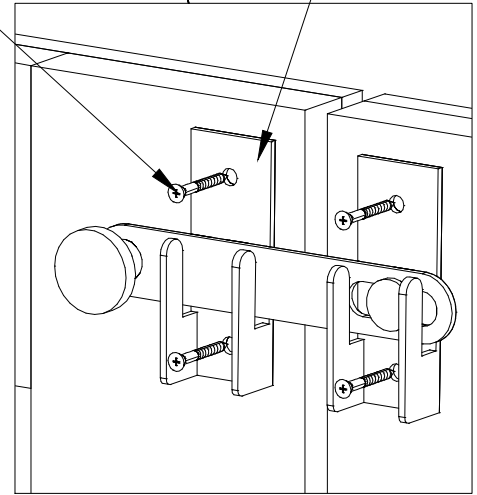
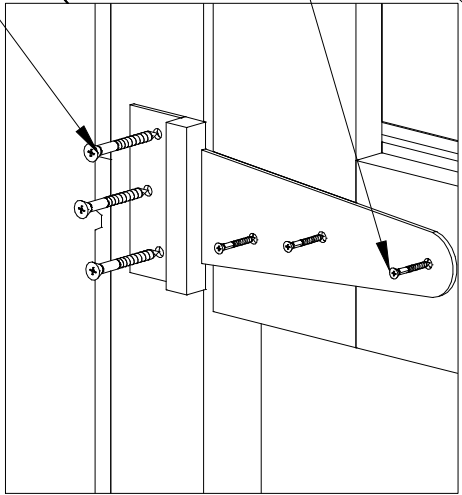
C x16

12

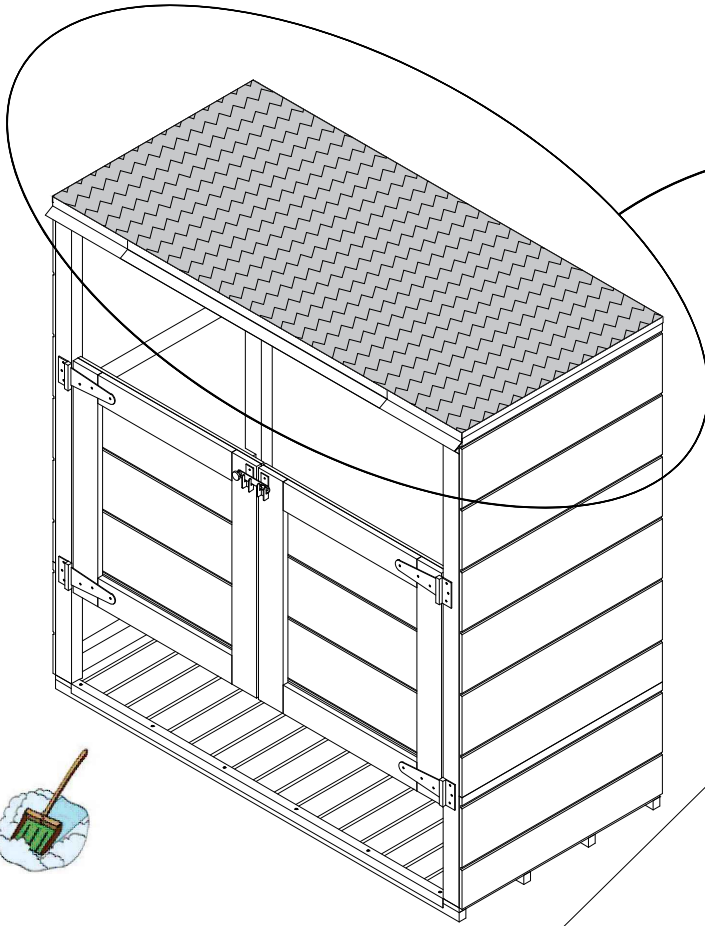
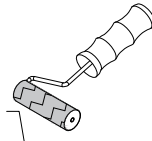
11



≈420-520



Bitum/Glue  
not included



MAX  
120 kg/m<sup>2</sup>

