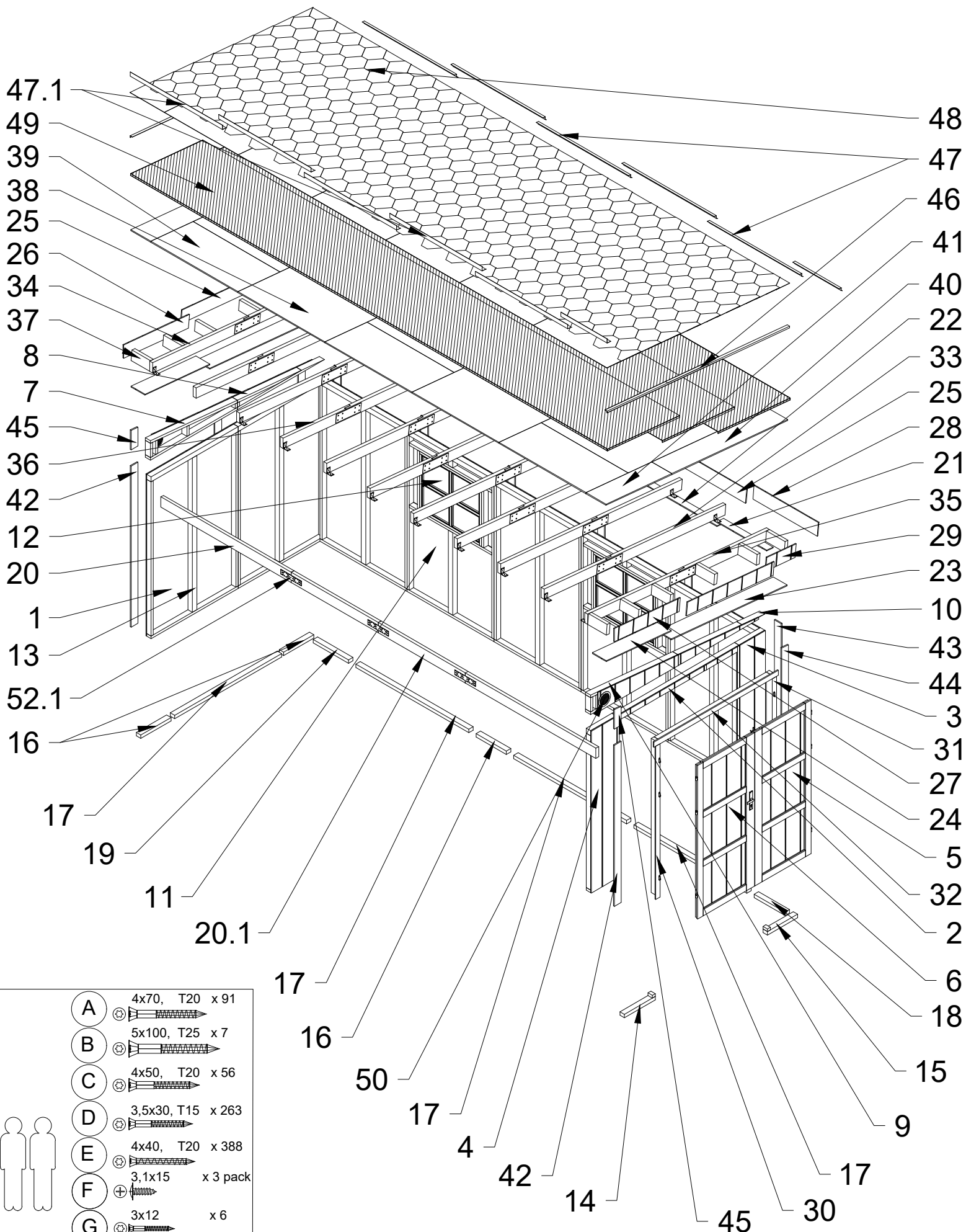
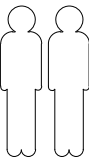
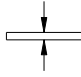
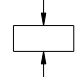
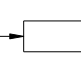




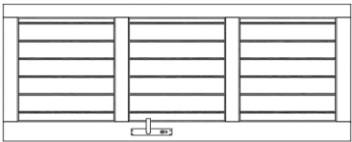
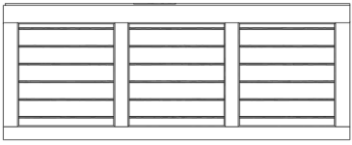
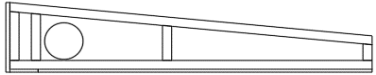
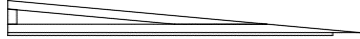
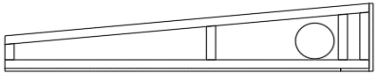



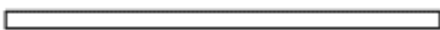










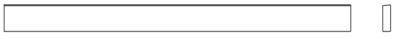
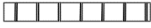
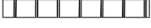

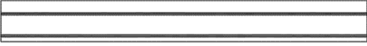
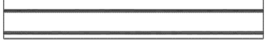














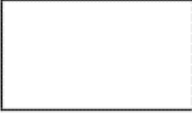
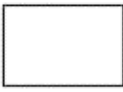



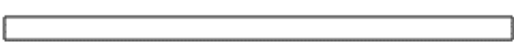
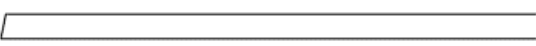

# M941

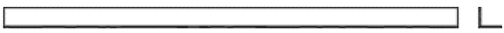
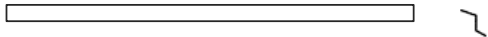
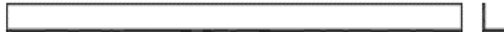
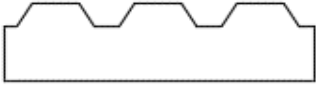




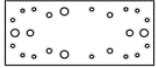
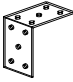


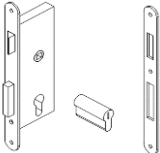
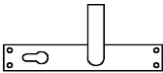




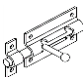
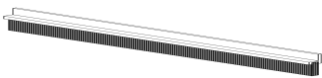
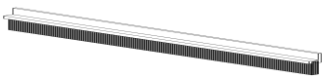


- |     |                   |
|-----|-------------------|
| (A) | 4x70, T20 x 91    |
| (B) | 5x100, T25 x 7    |
| (C) | 4x50, T20 x 56    |
| (D) | 3,5x30, T15 x 263 |
| (E) | 4x40, T20 x 388   |
| (F) | 3,1x15 x 3 pack   |
| (G) | 3x12 x 6          |
| (H) | 10x60 x 88        |

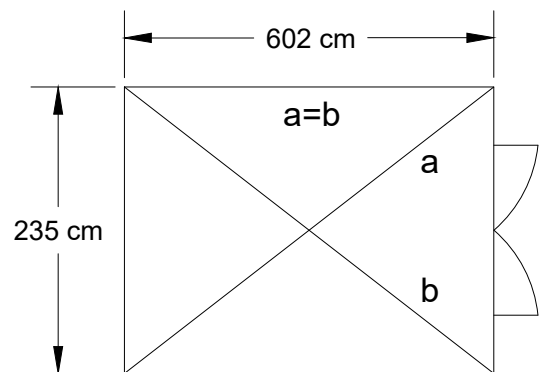
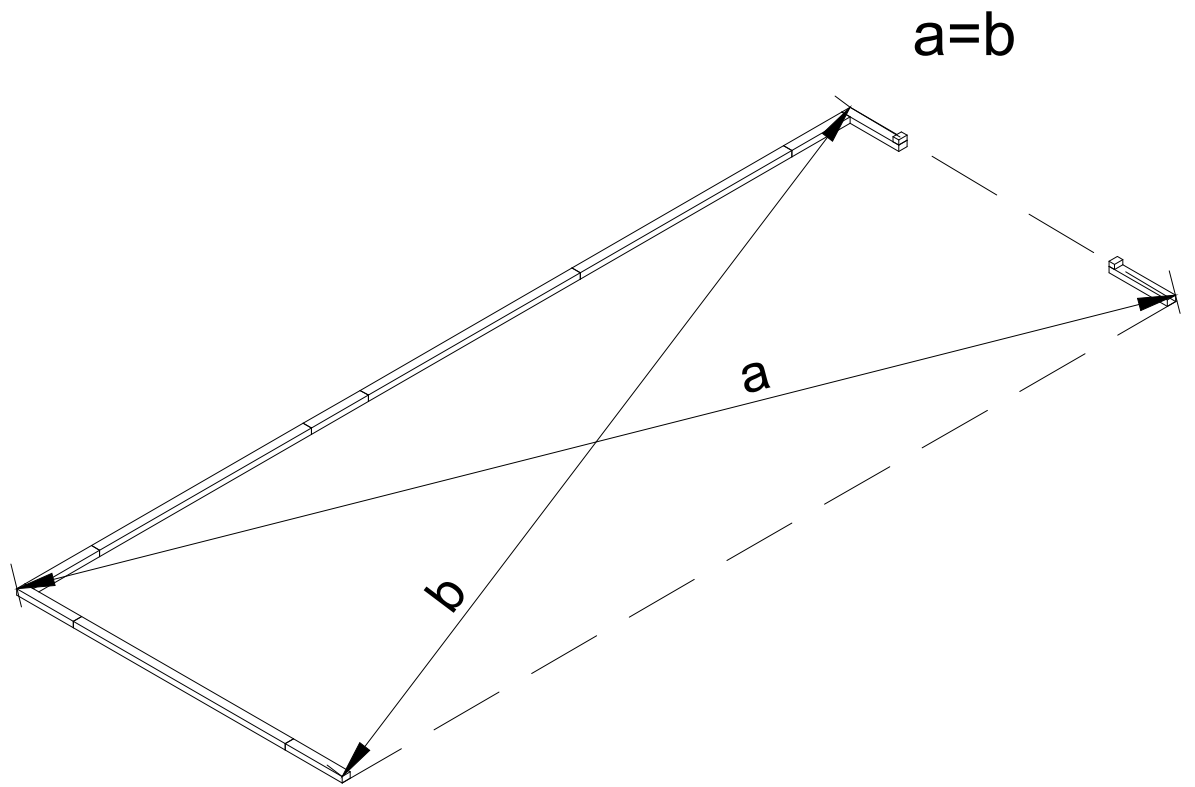
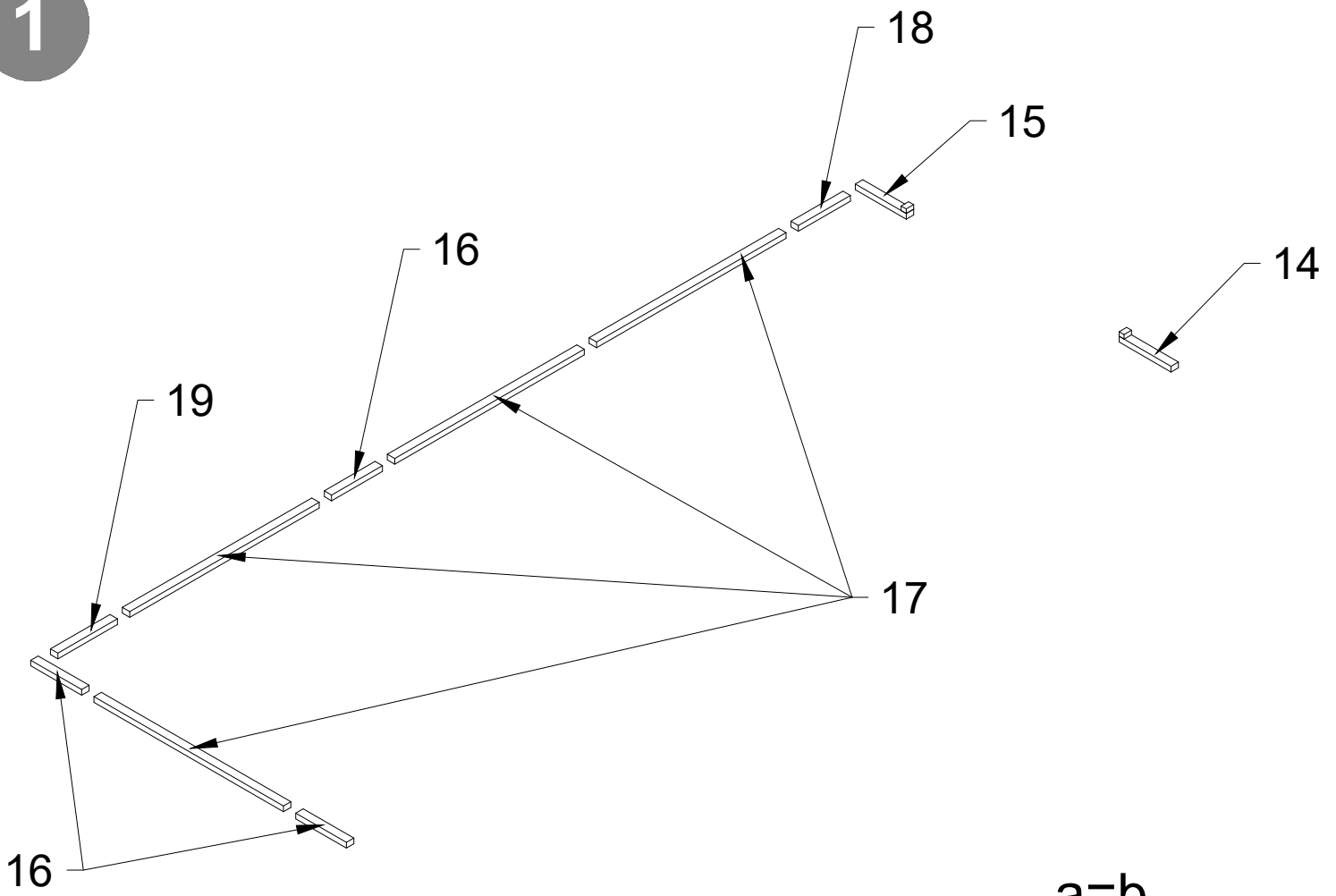


№		PCS			
			mm	mm	mm
1		5		1180	1900
2		1		60	1660
3		1		380	1900
4		1		380	1900
5		1		770	1801
6		1		770	1801
7		1		238	1180
8		1		124	1170
9		1		238	1180
10		1		124	1170
11		2		1180	1900
12		2			
13		5	60	60	1810
14		1	60	70	420
15		1	60	70	410
16		3	40	60	410
17		4	40	60	1530
18		1	40	60	480
19		1	40	60	420
20	 	2	40	120	1770

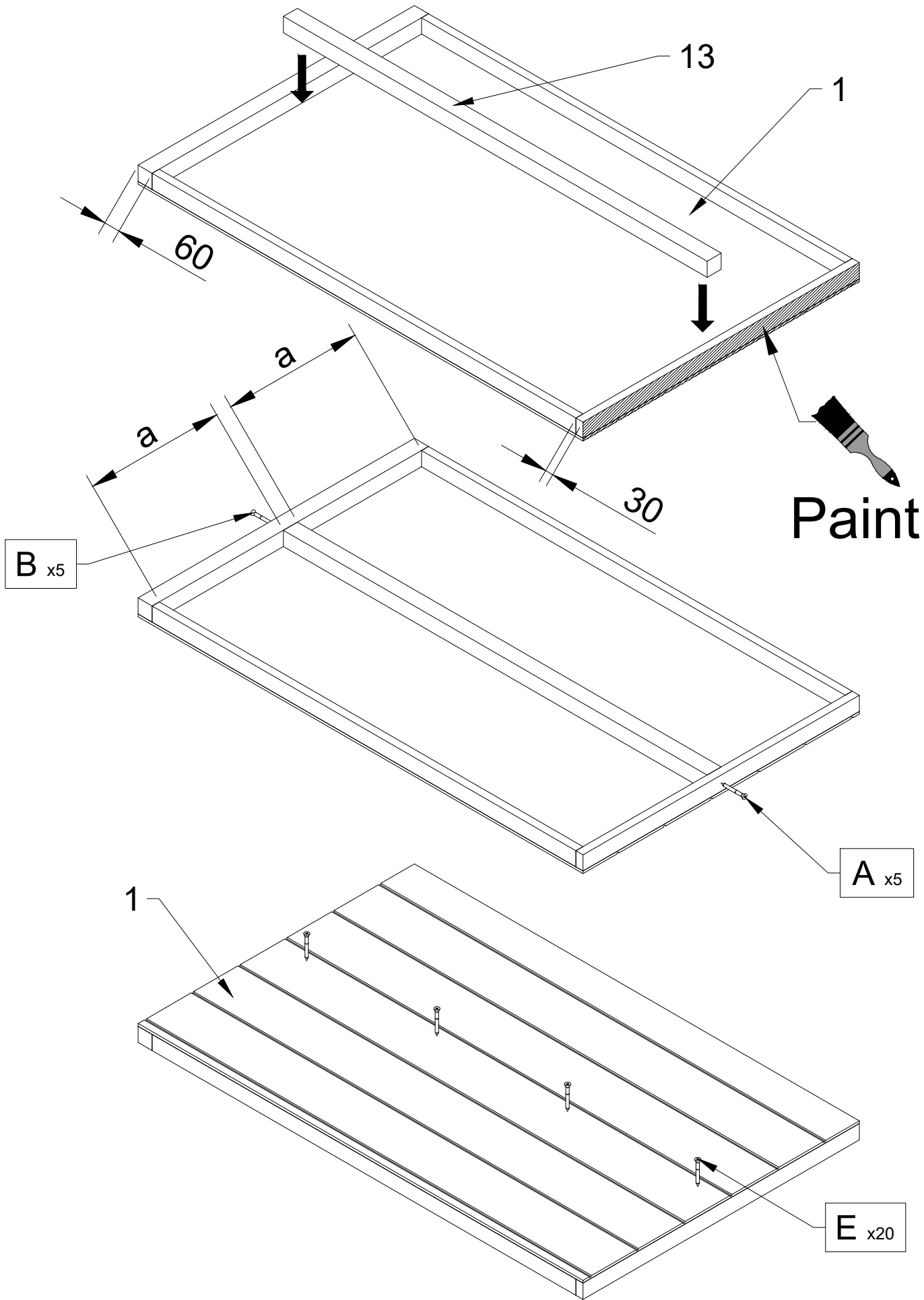
20.1		2	40	120	1180
21		1	10	89	670
21.1		1	10	89	690
22		4	10	89	1180
23		2	10	192	1579
24		2	10	192	883
25		6	10	152	1180
26		1	10	152	897
27		1	10	152	897
28		1	10	152	872
28.1		1	10	152	892
29		2	10	152	399
30		1	60	82	1839
31		1	60	82	1839
32		1	60	82	1688
33		5	40	120	1620
34		6	40	120	1335
35		6	40	120	1219
36		5	40	120	934
37		12	40	120	252
38		5	12	1179	1900
39		5	12	575	1179
40		2	12	271	1579
41		2	12	271	896
42		3	13	92	1890
43		6	13	92	1887
44		2	13	92	1899
45		2	13	92	228

46		4			1660
47		6			1250
47.1		6			1250
48		6 pack			
49		3		1m	6.51m
50		2			
51		2			
52		22			
52.1		6			
53		24			
54		6			
54.1		6			
55		1			
56		1			
57		1			
58		1	T25		
59		1	T20		
60		1	T15		
61		1			
62		1			753
63		1			763

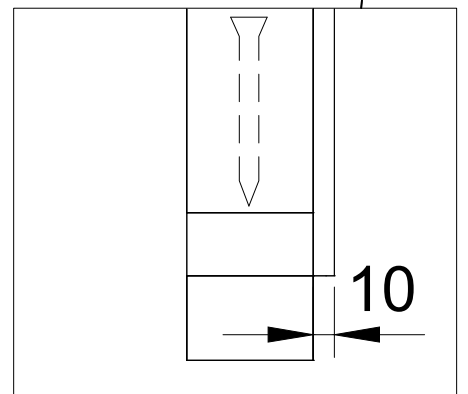
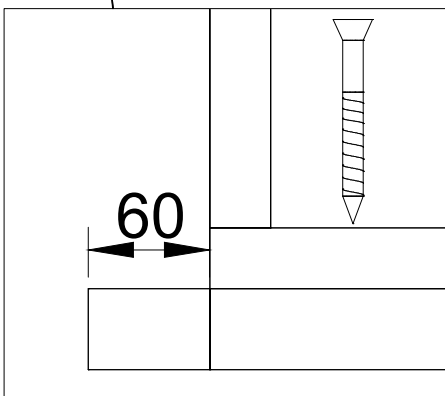
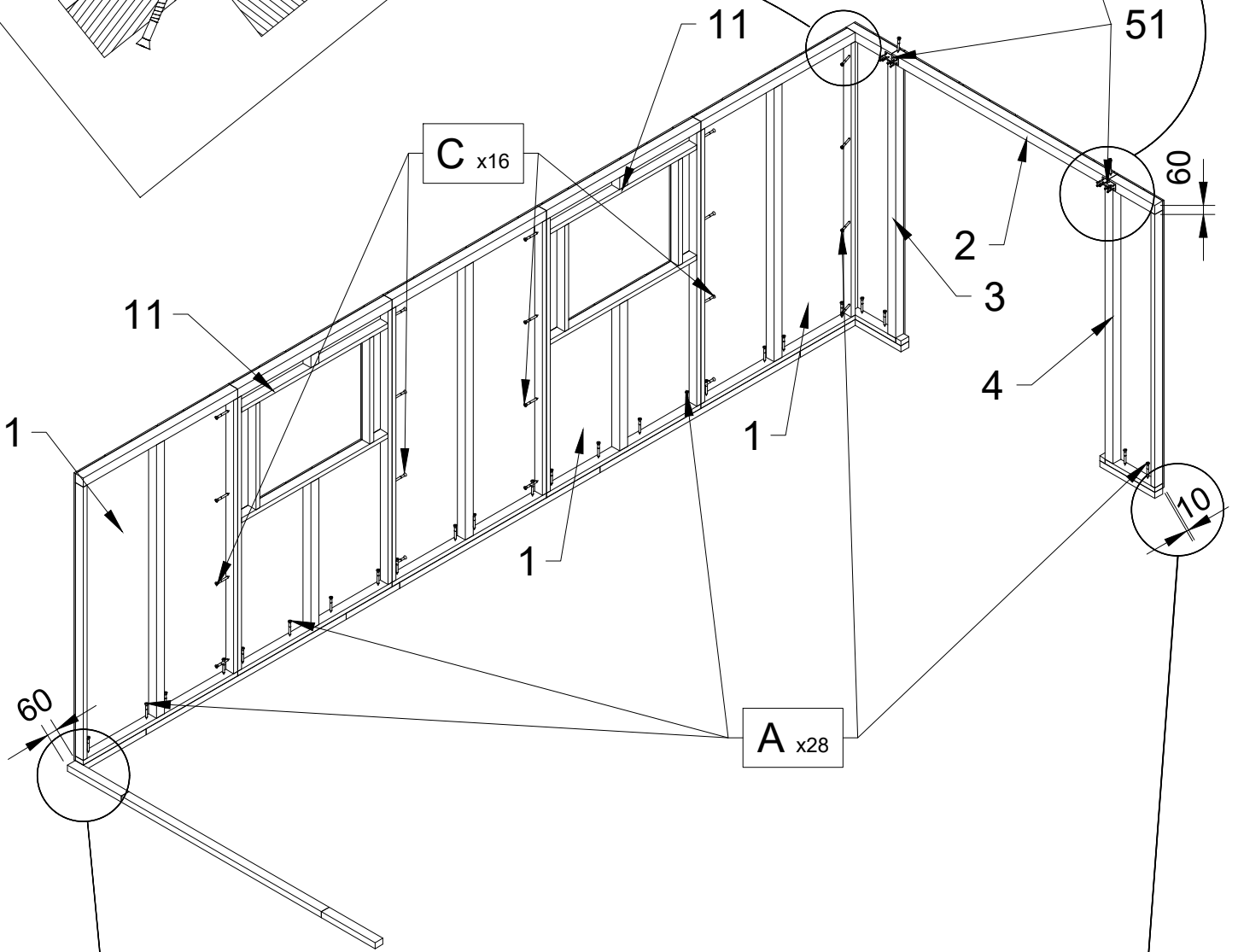
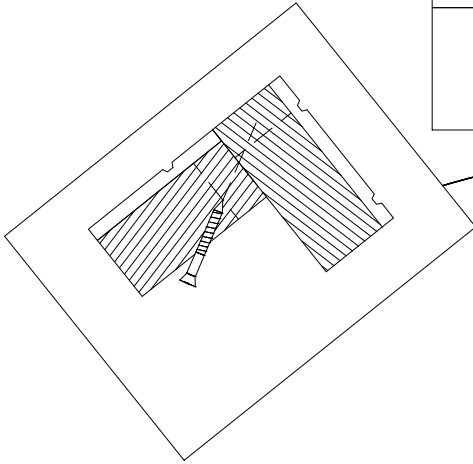
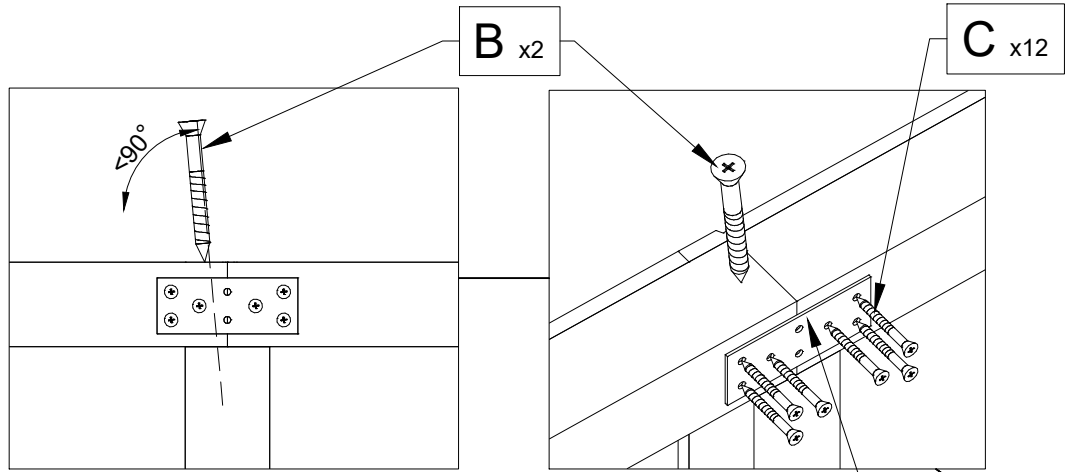
1



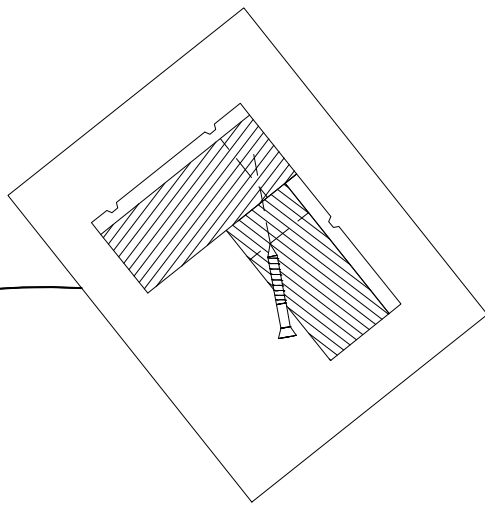
2



3



4

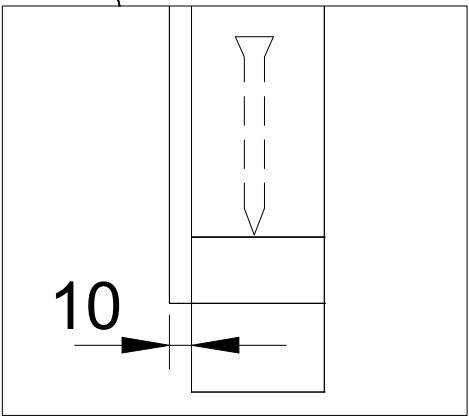


C x4

10

1

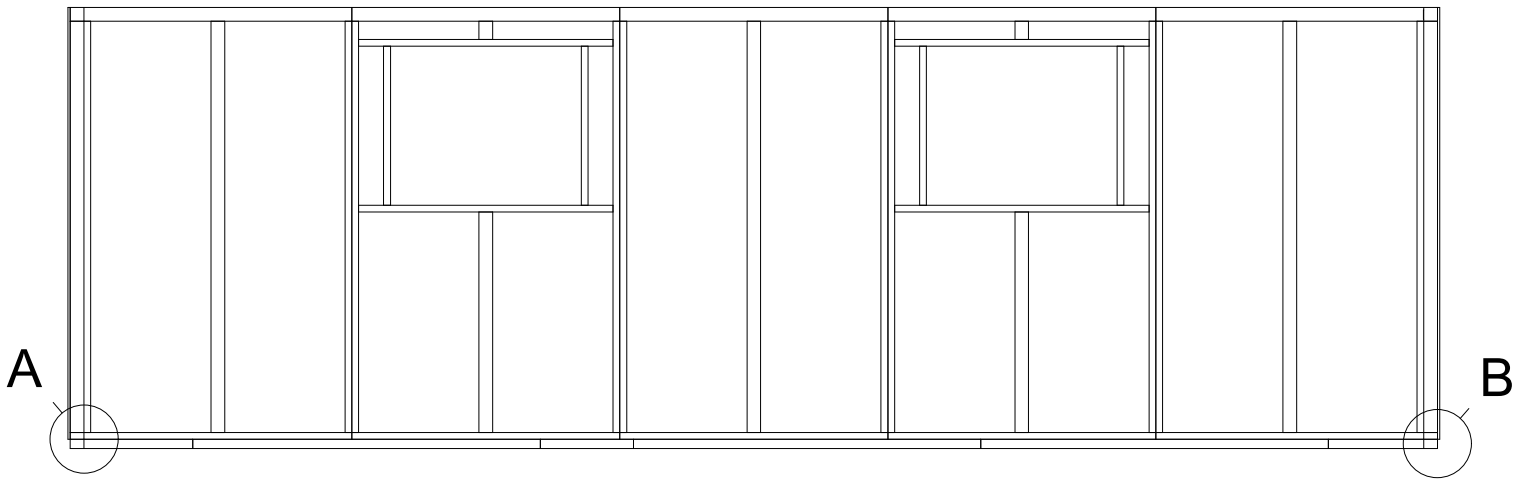
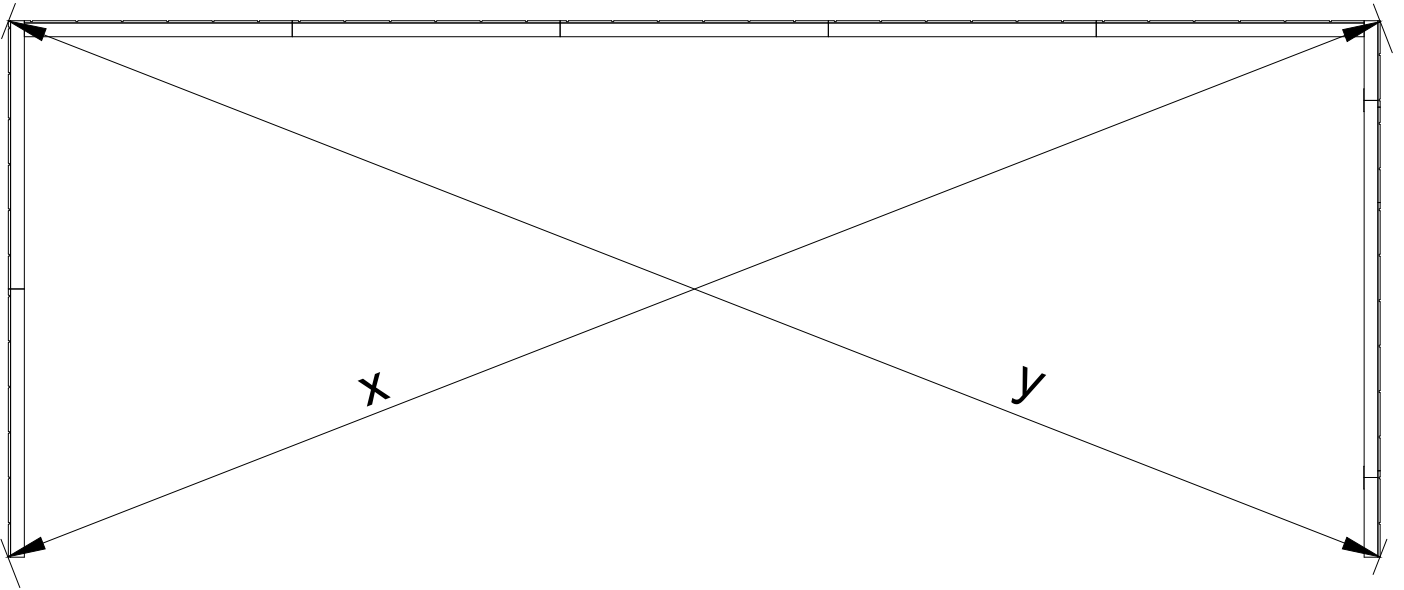
A x12



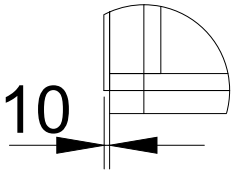


5

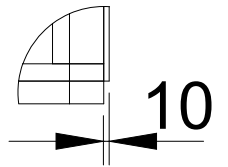
$$x = y$$



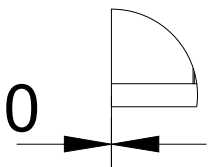
Det A



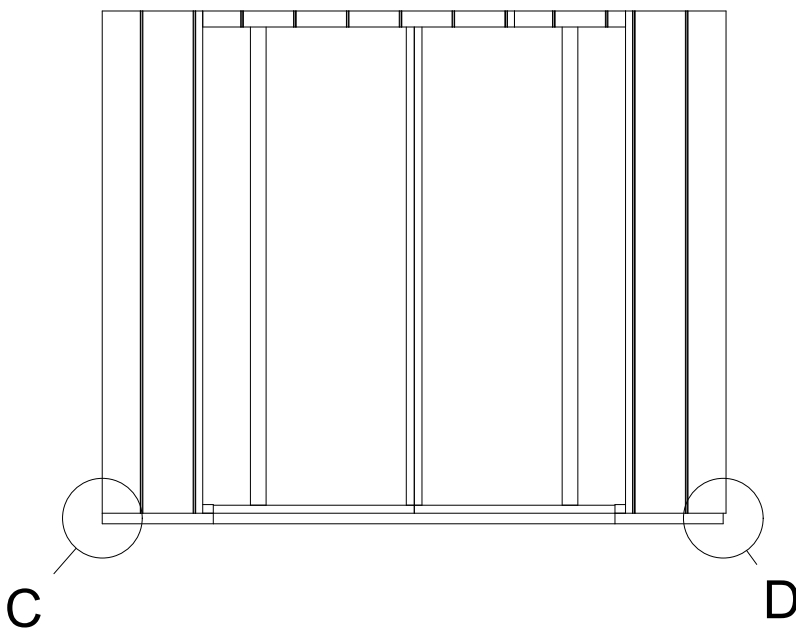
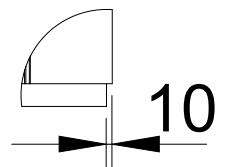
Det B



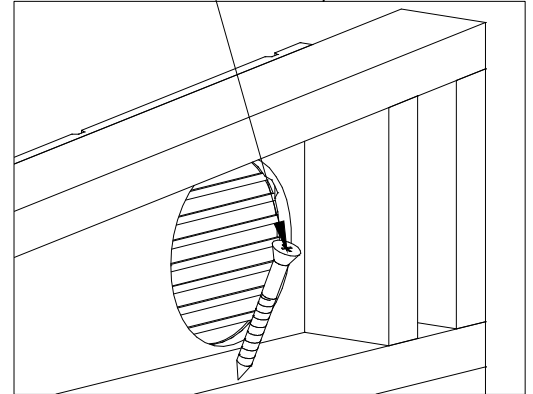
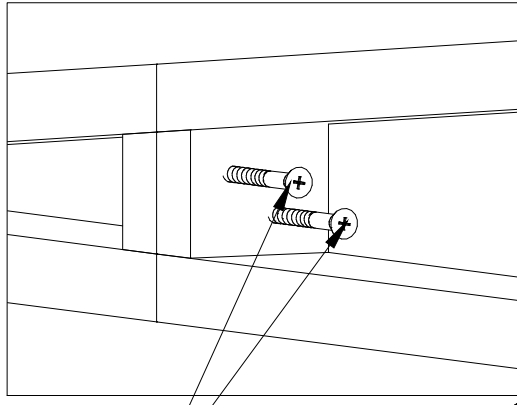
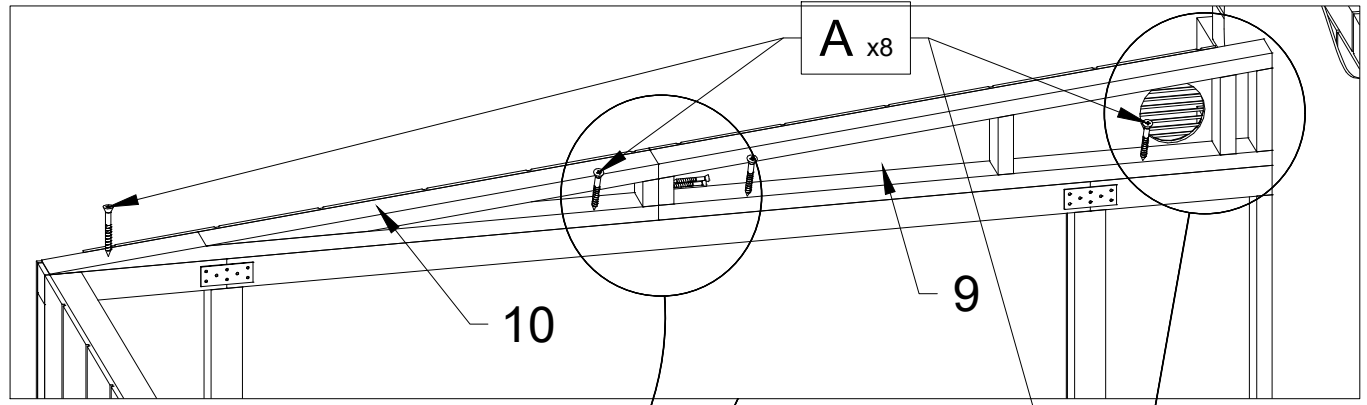
Det C



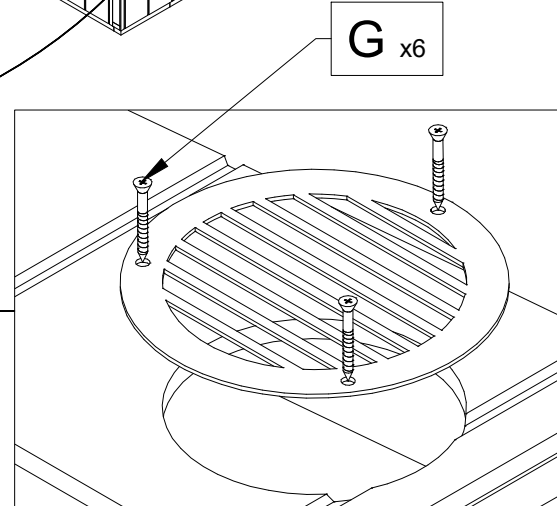
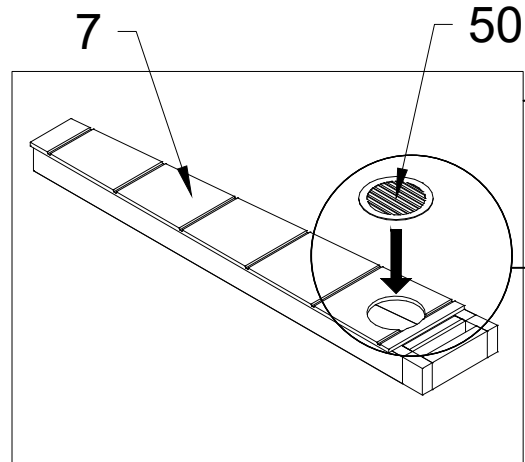
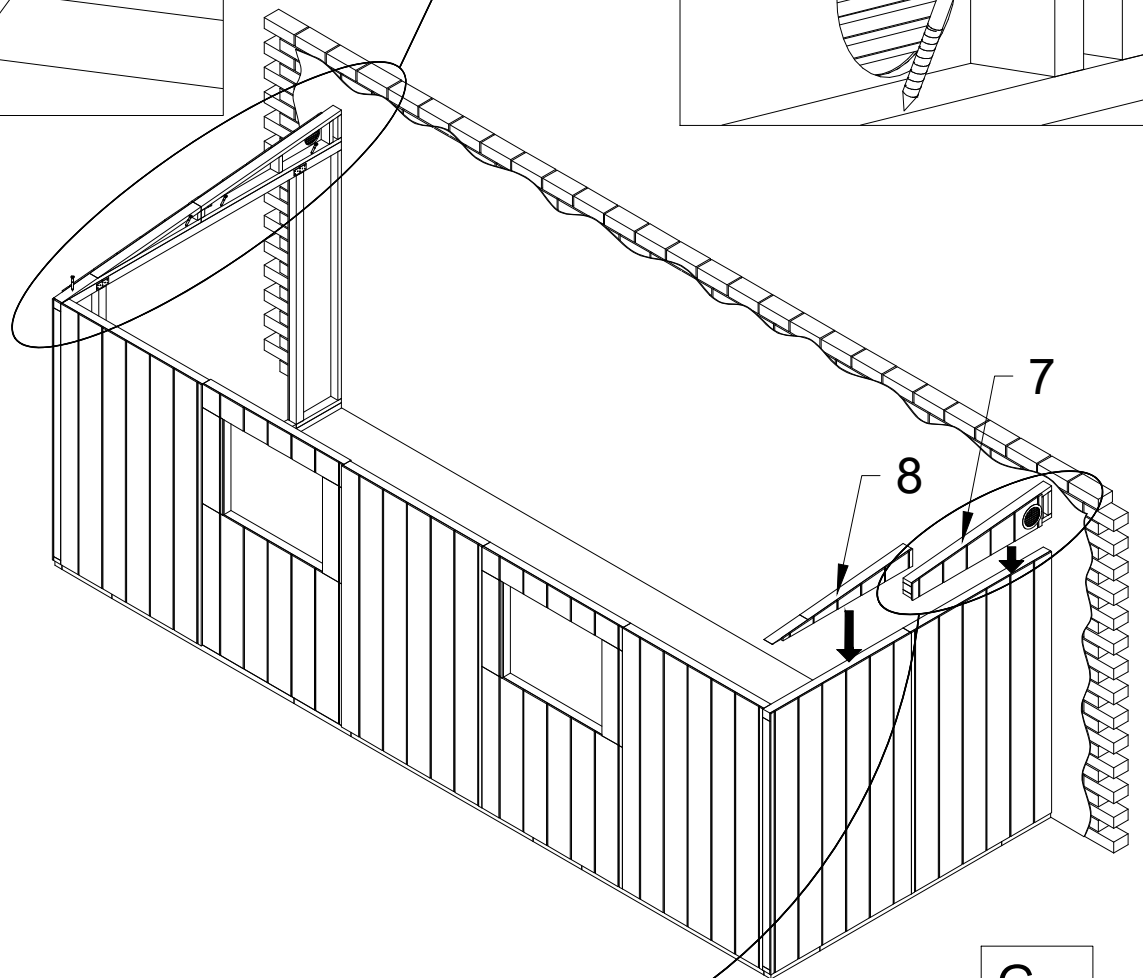
Det D



6

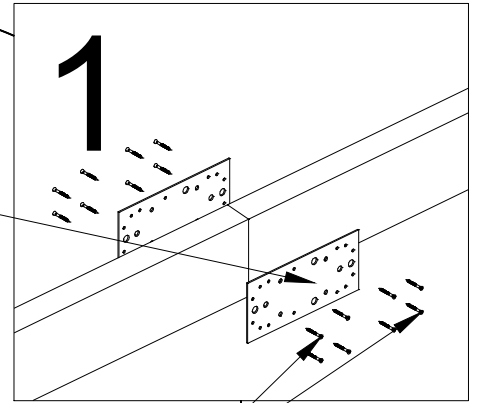
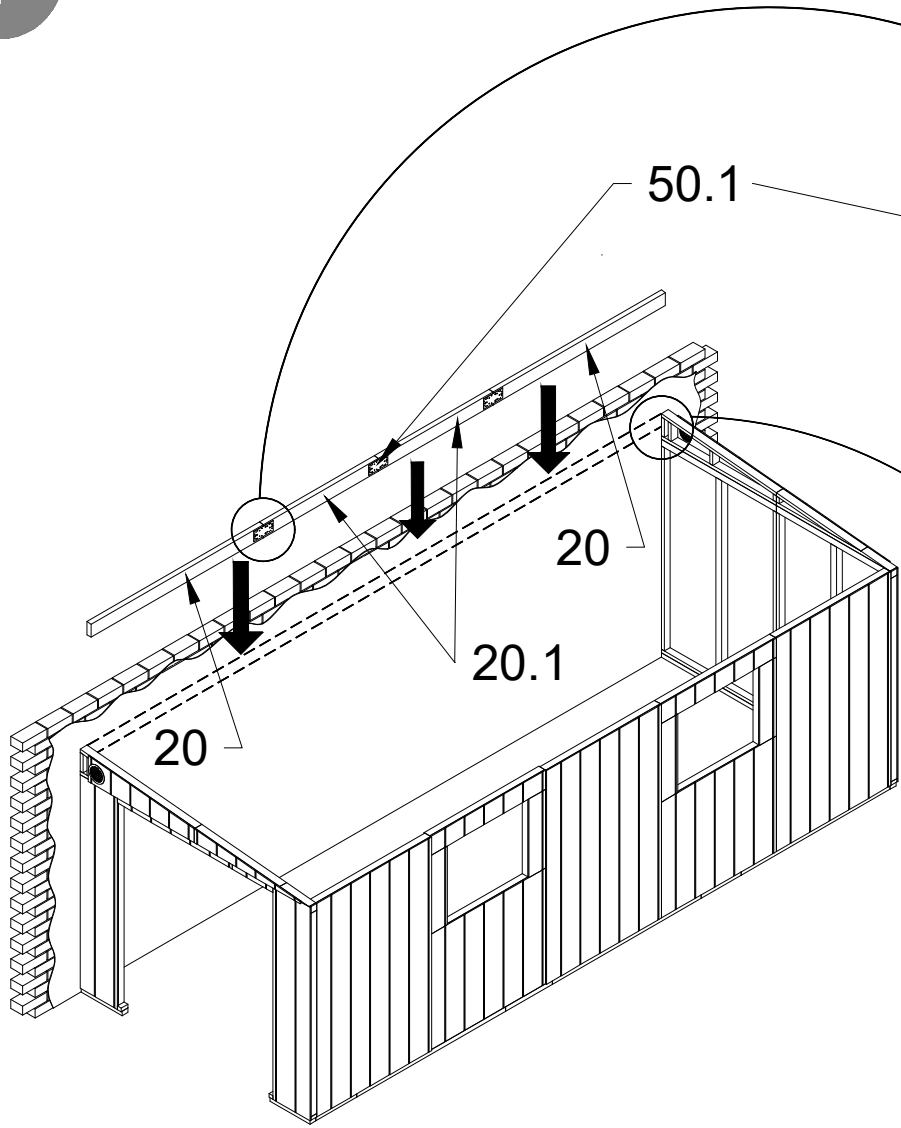


C x4

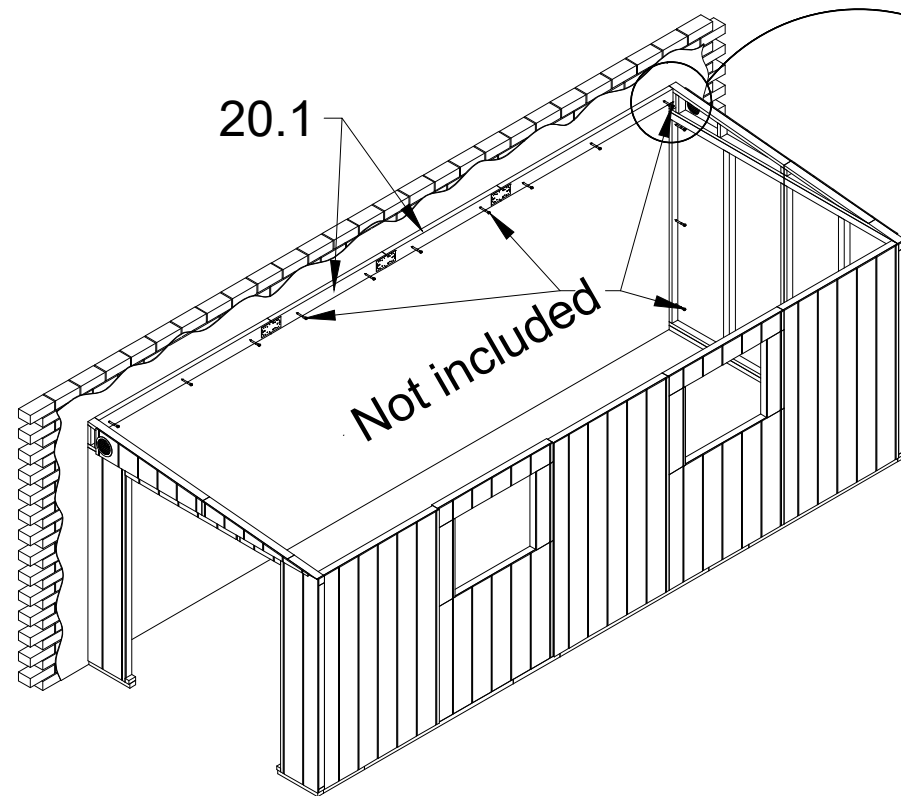
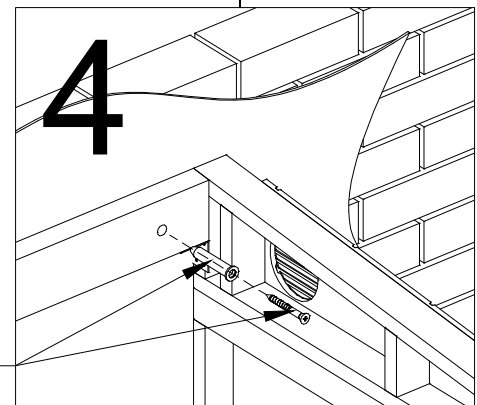
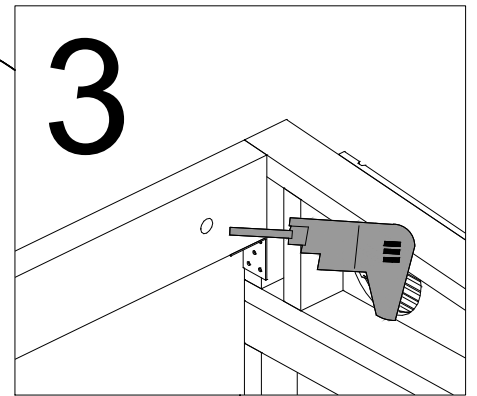
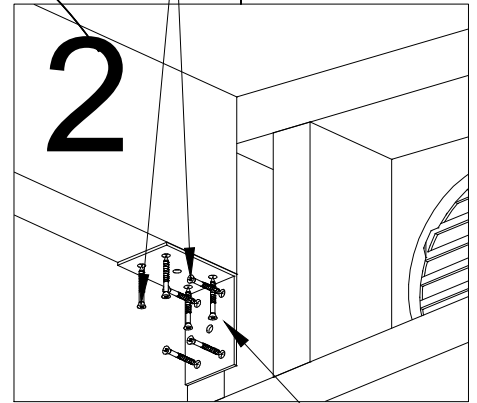


G x6

7

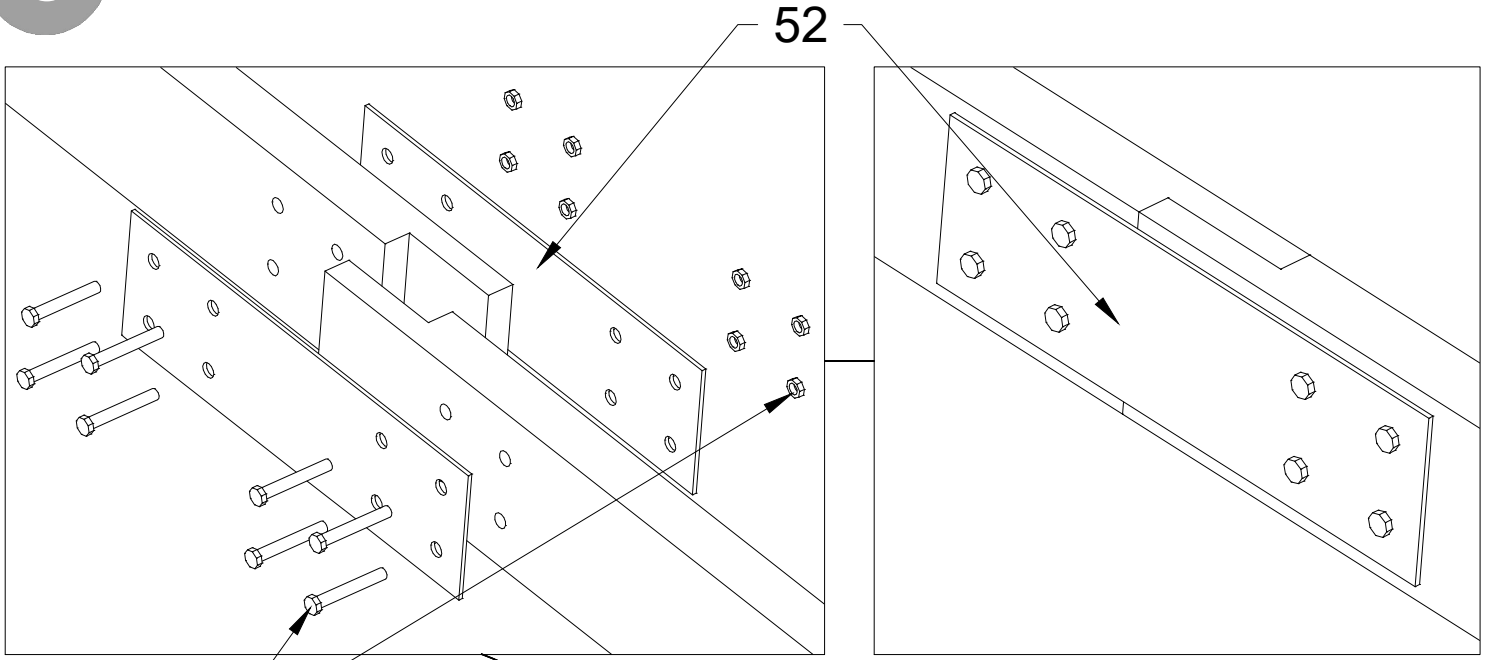


E x64



Not included

8



H x88

34

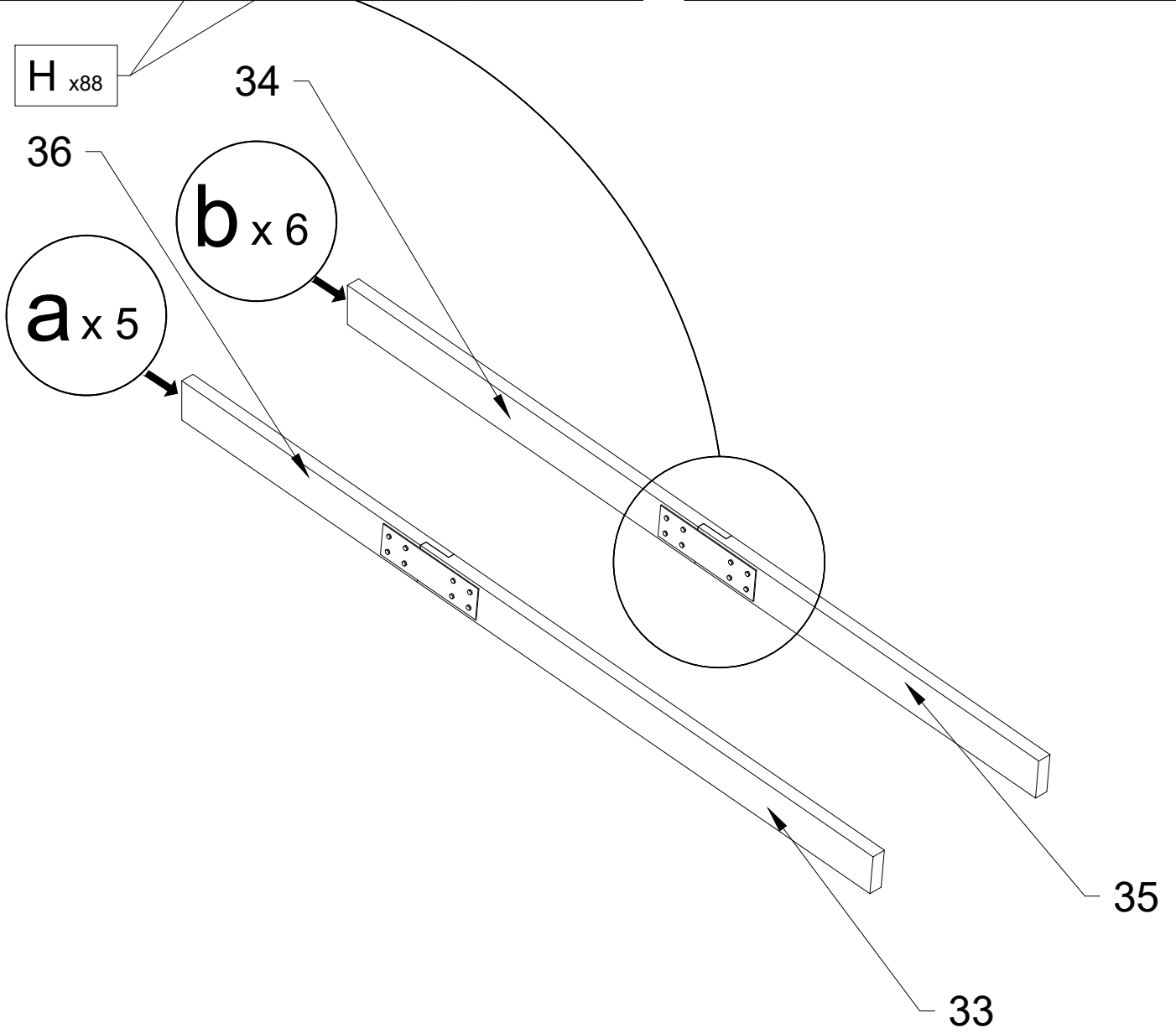
36

$b \times 6$

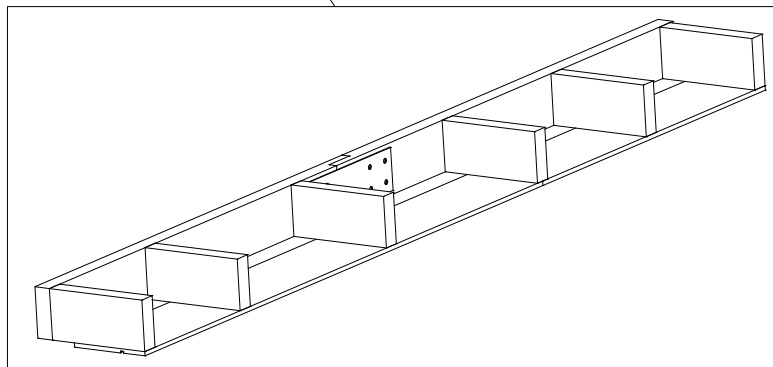
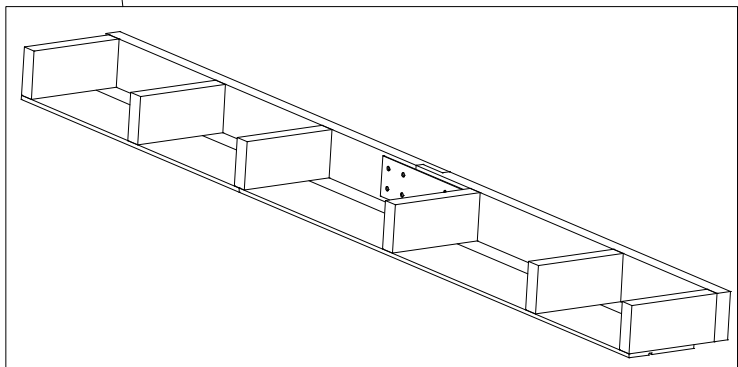
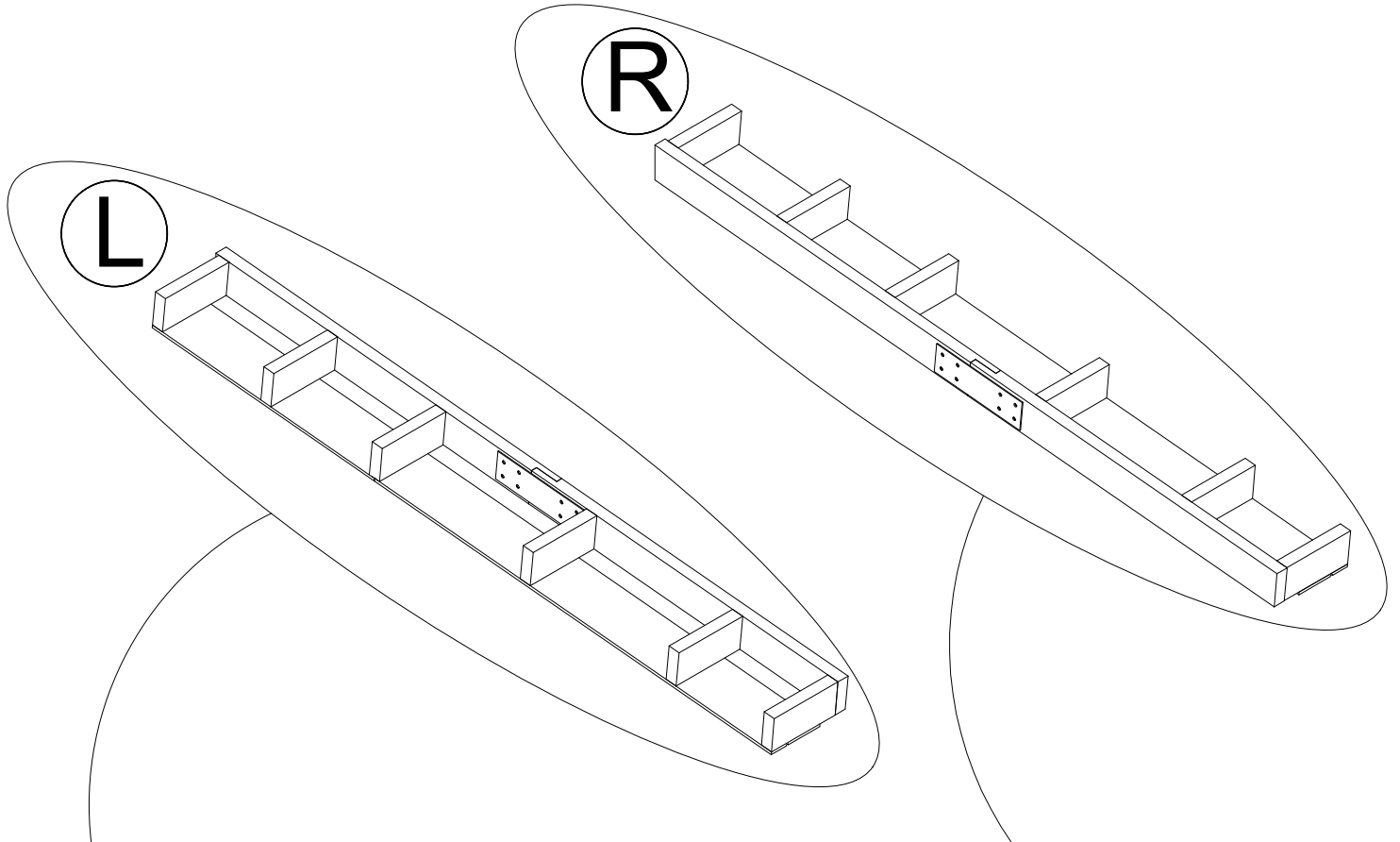
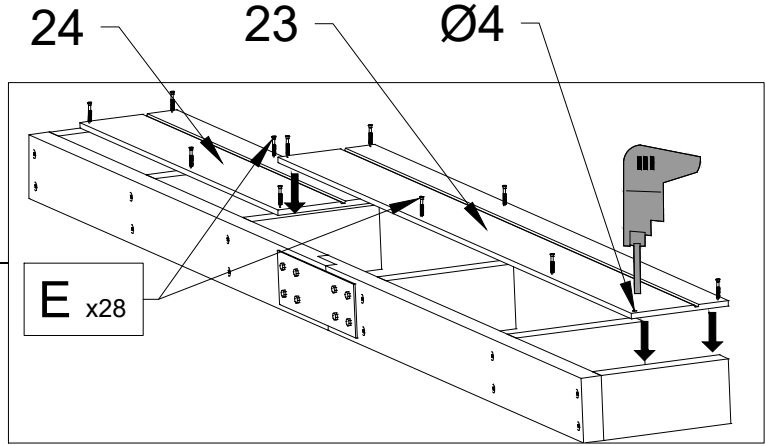
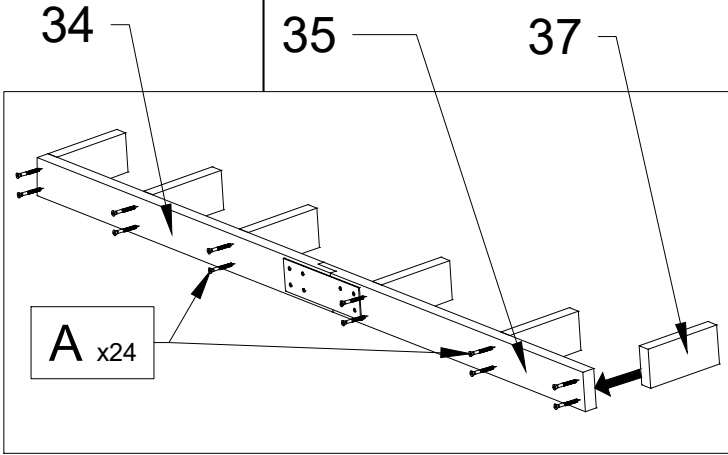
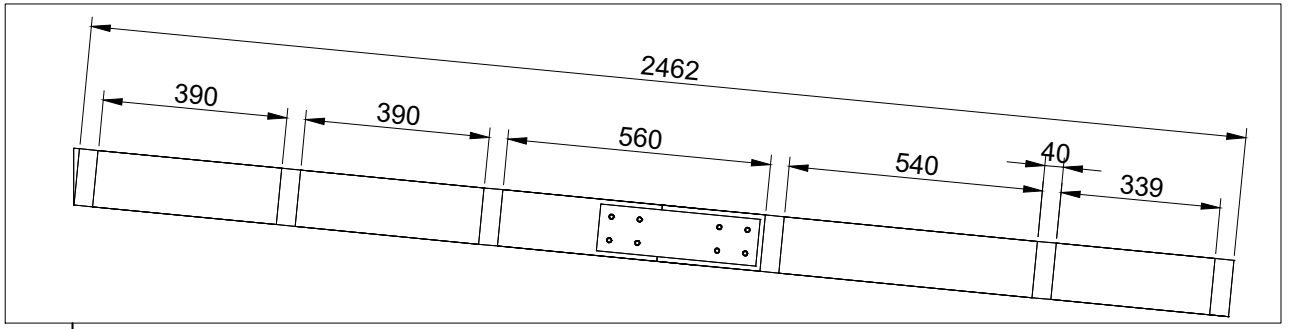
$a \times 5$

35

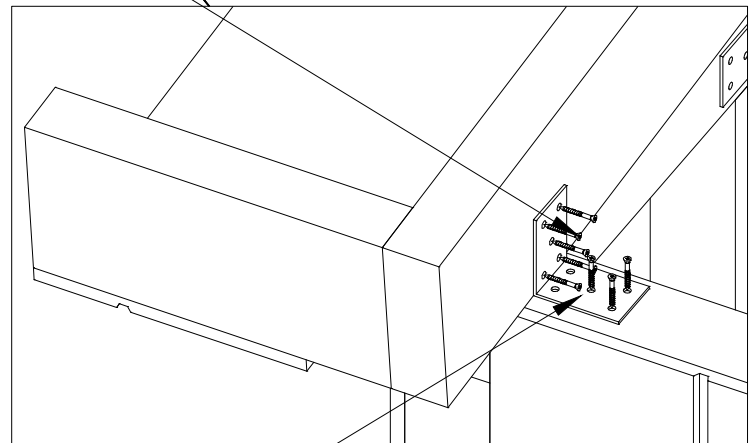
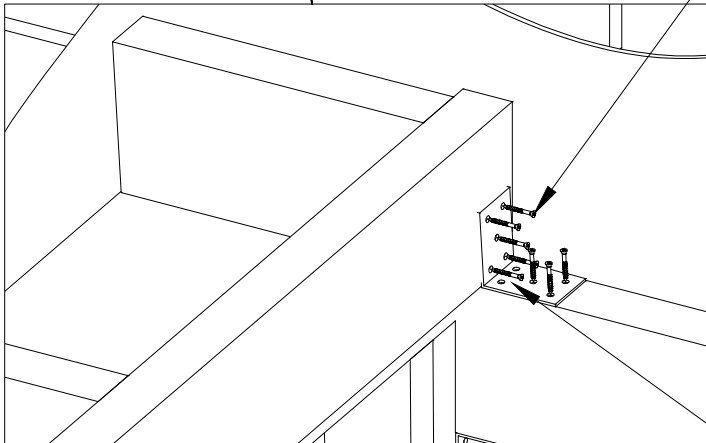
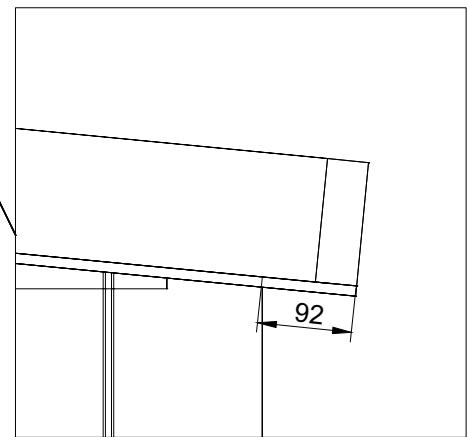
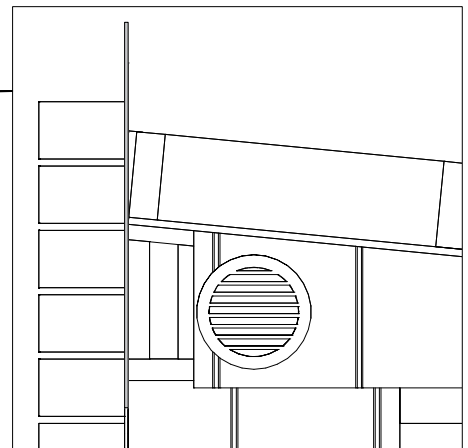
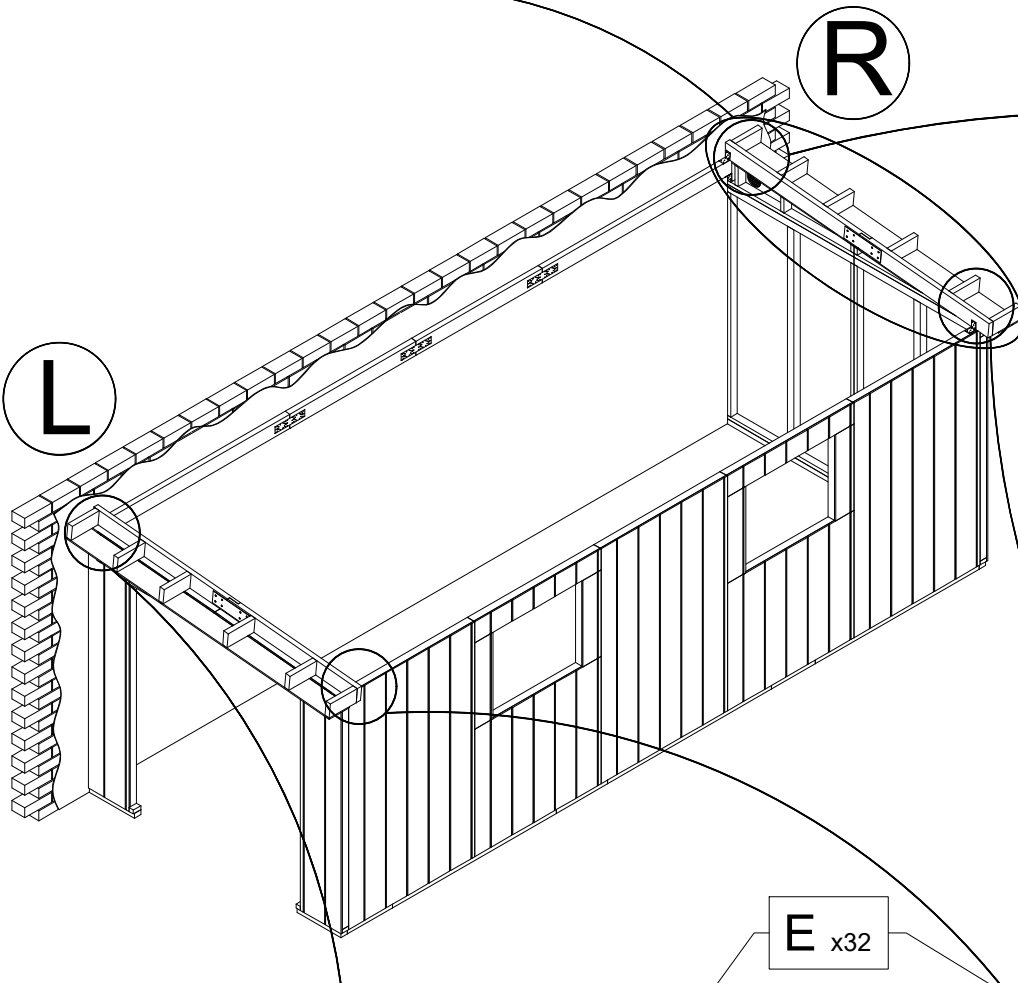
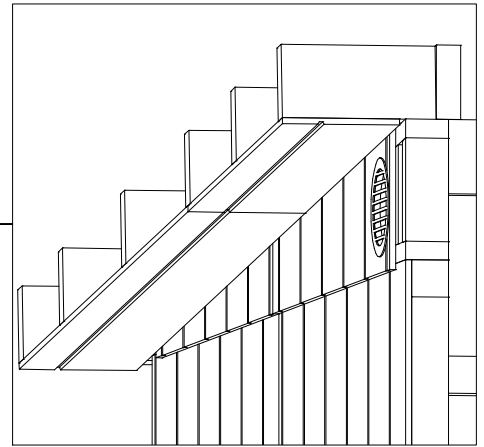
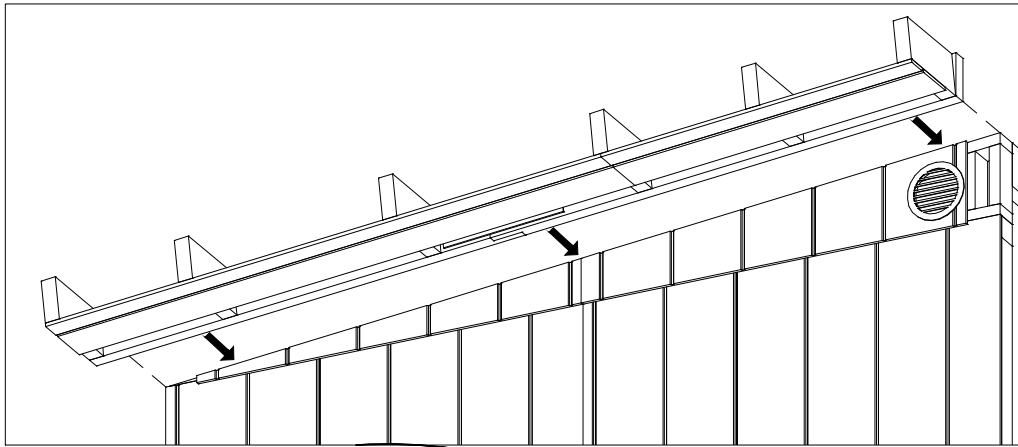
33



9



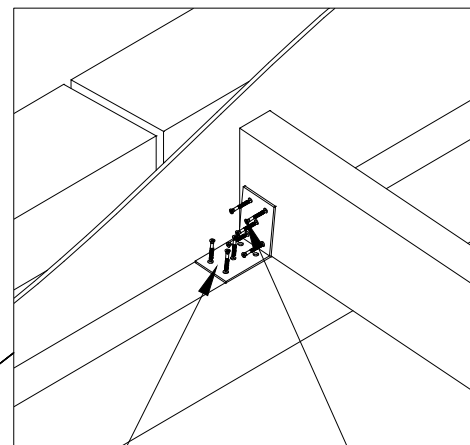
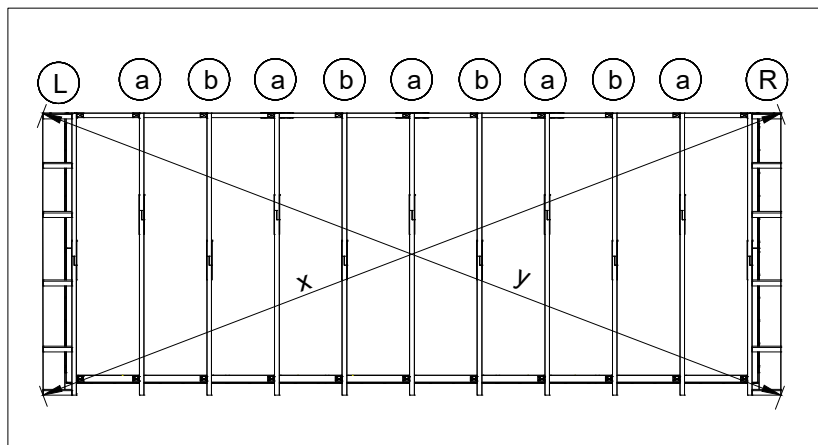
10



53

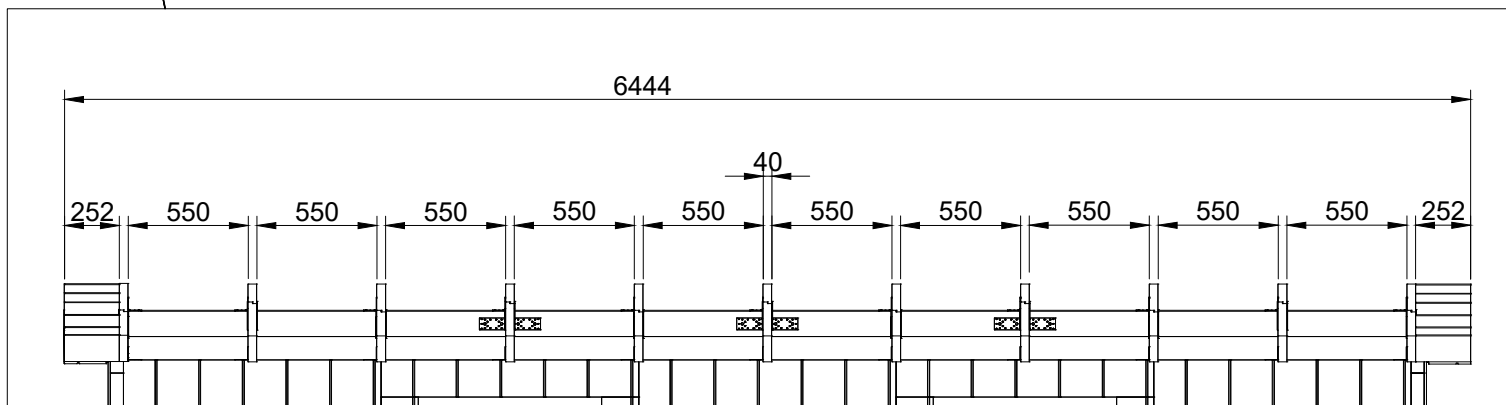
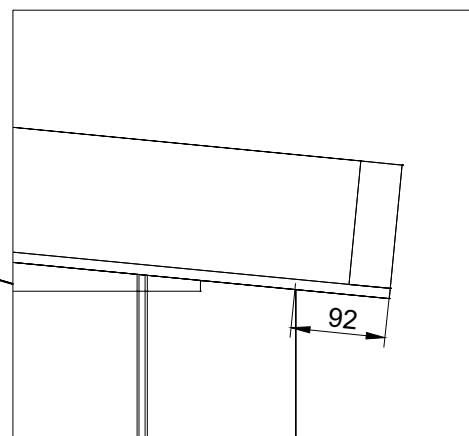
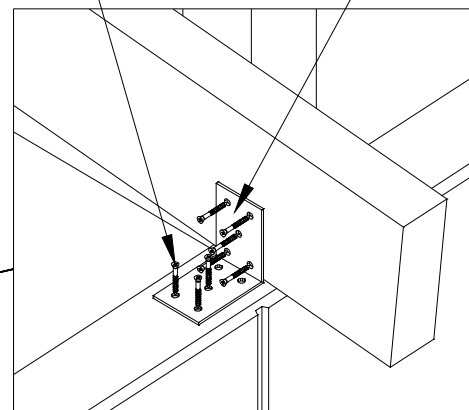
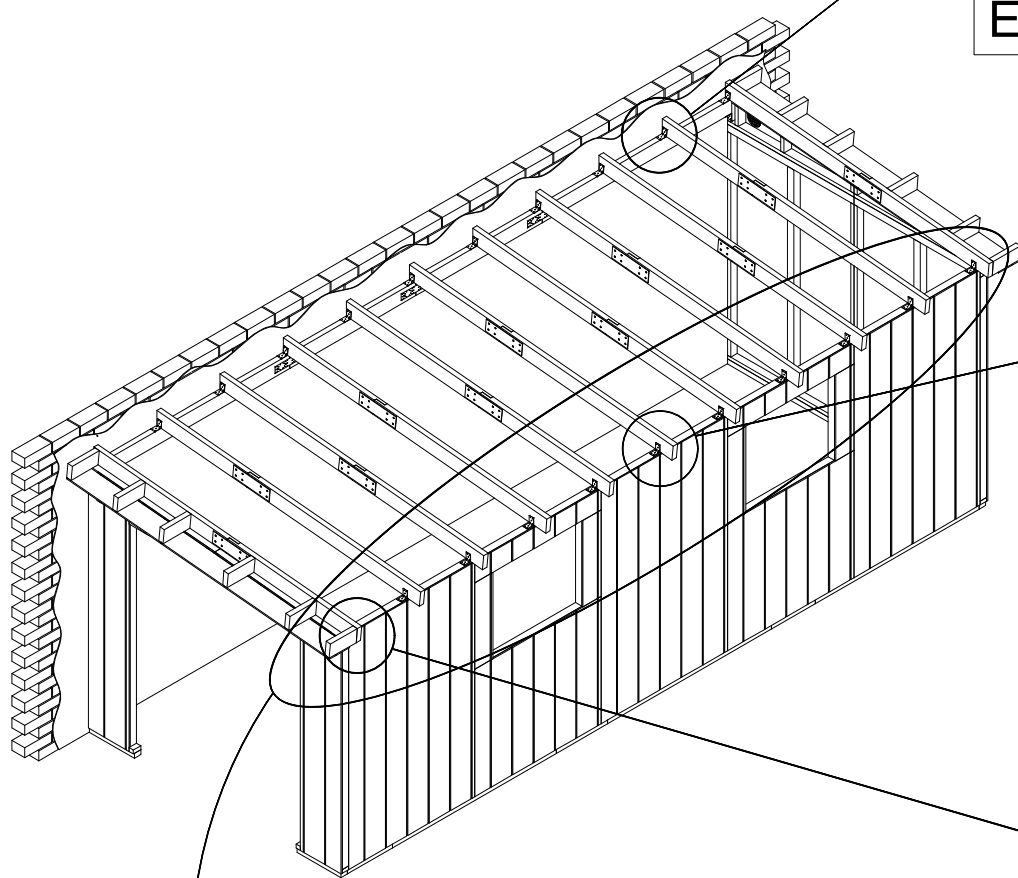
11

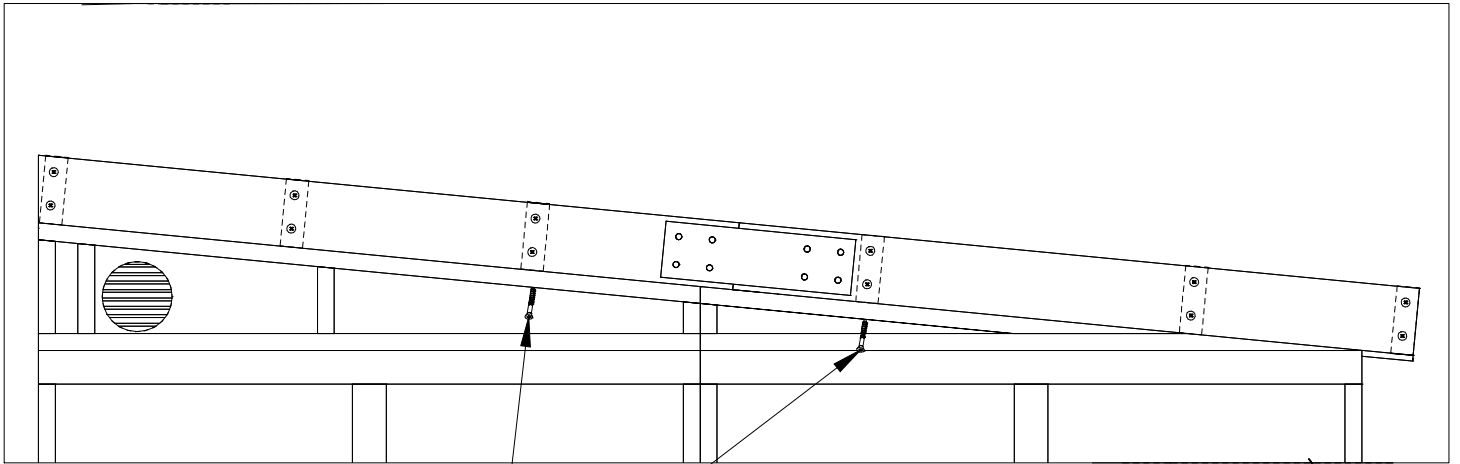
$x = y$



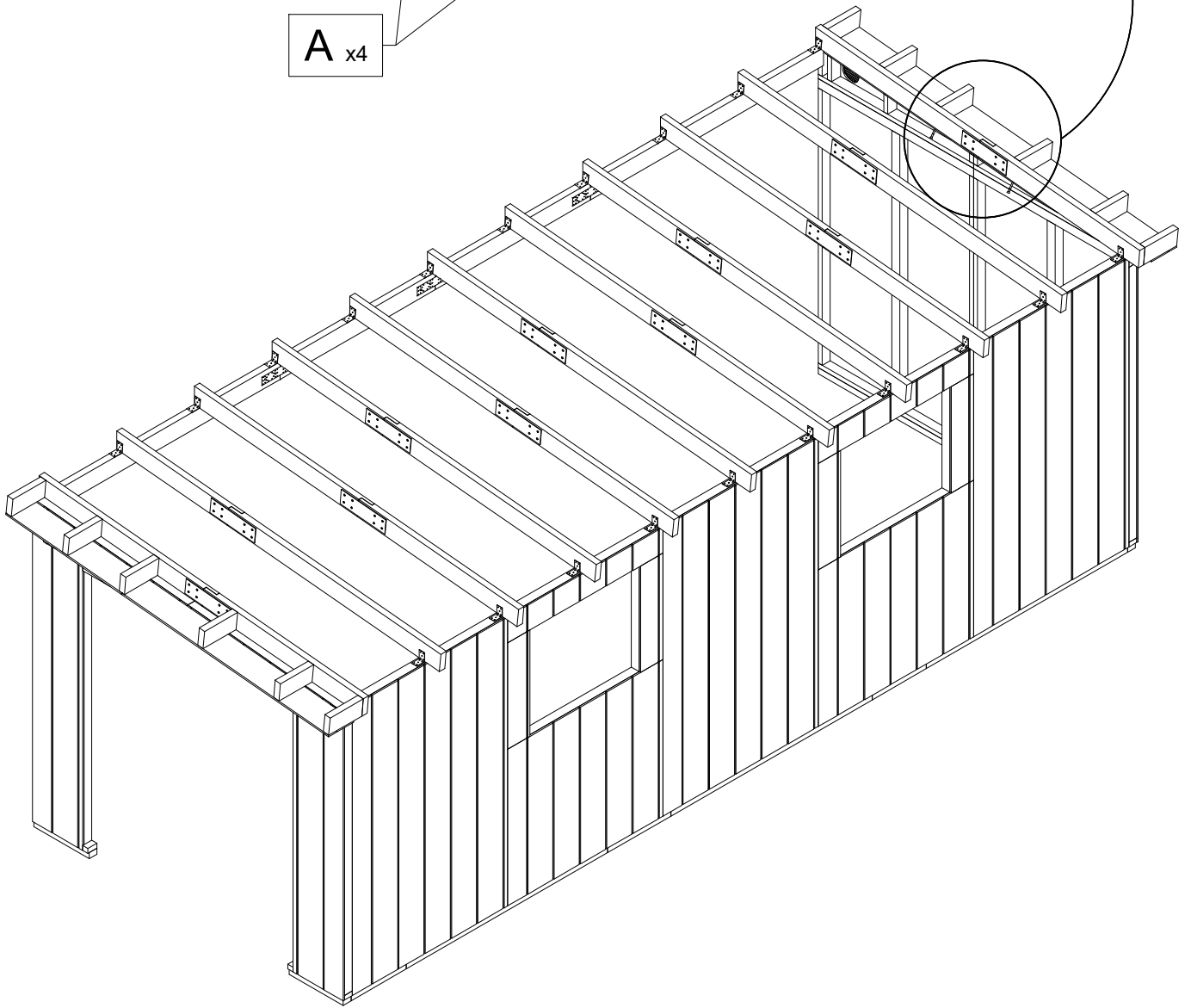
E x144

53

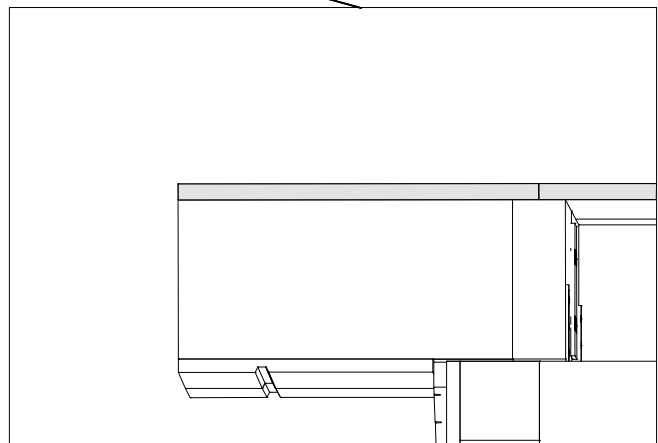
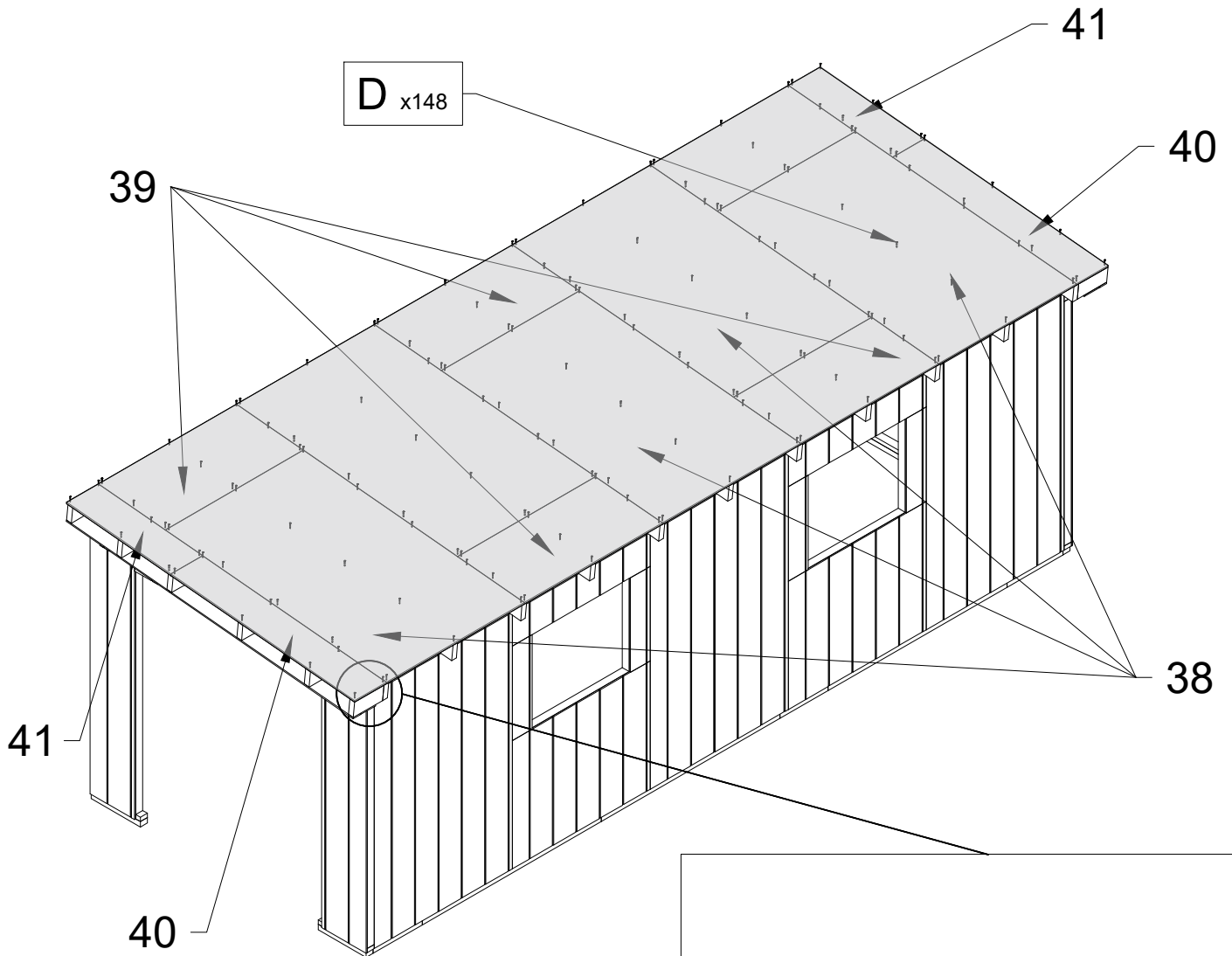
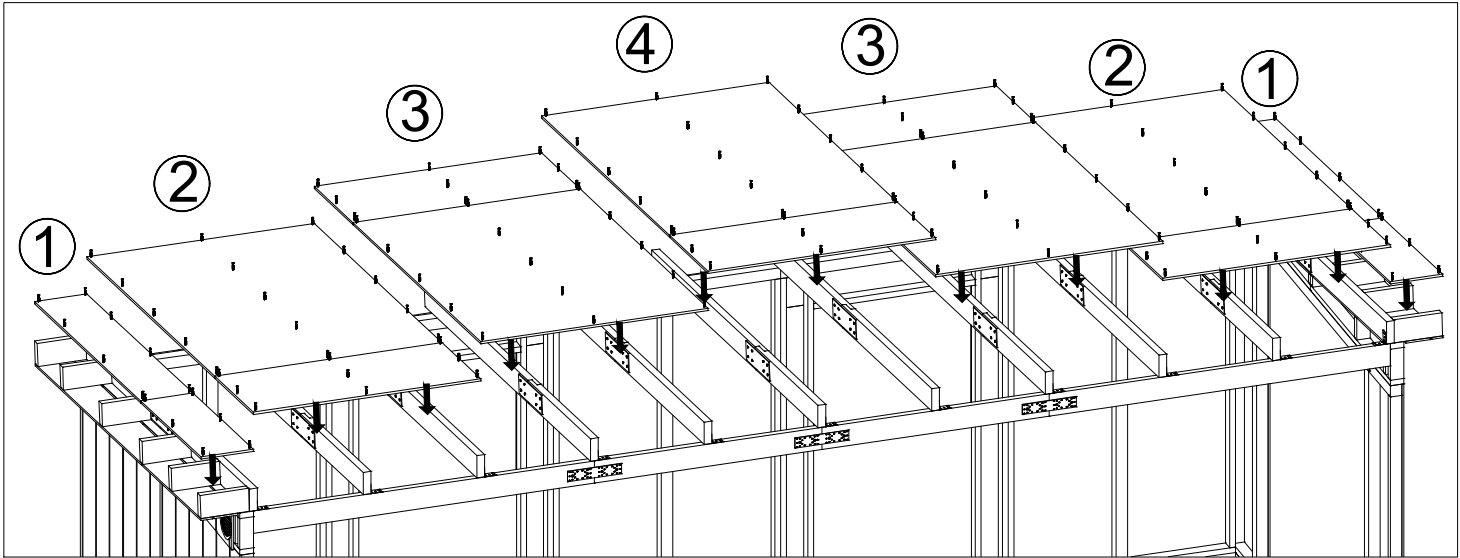


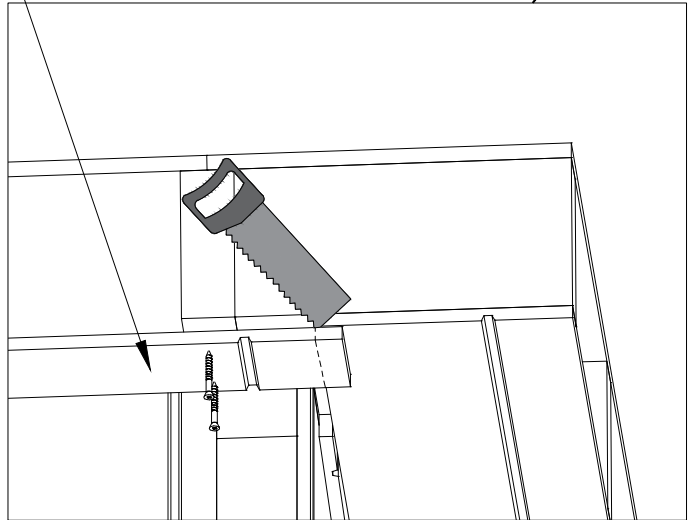
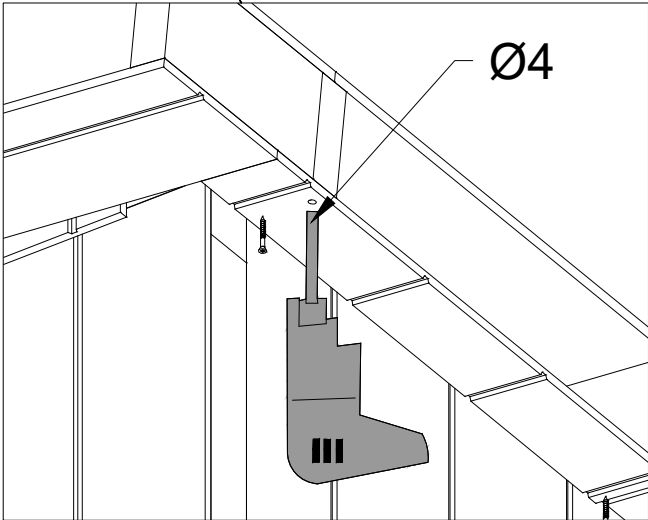
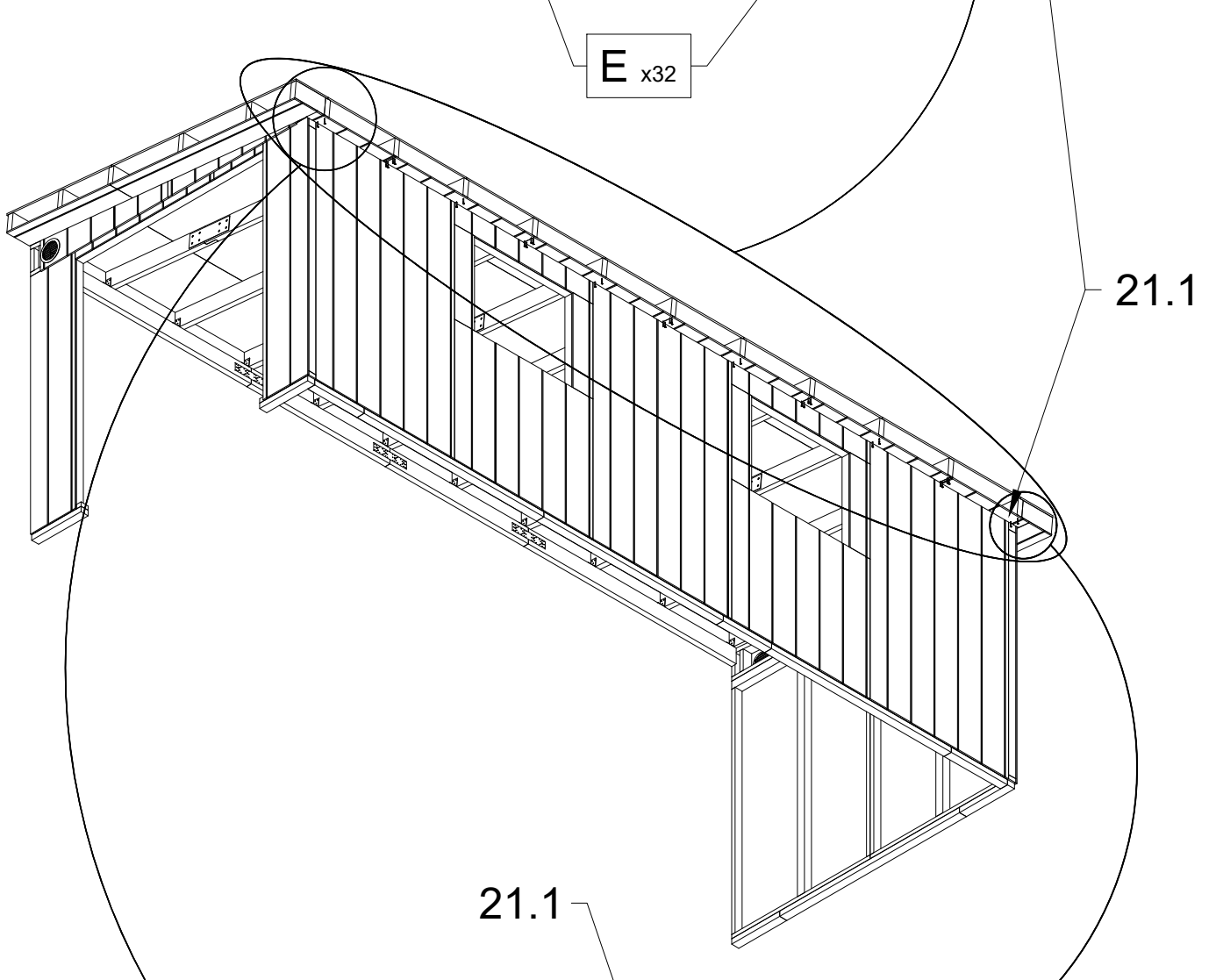
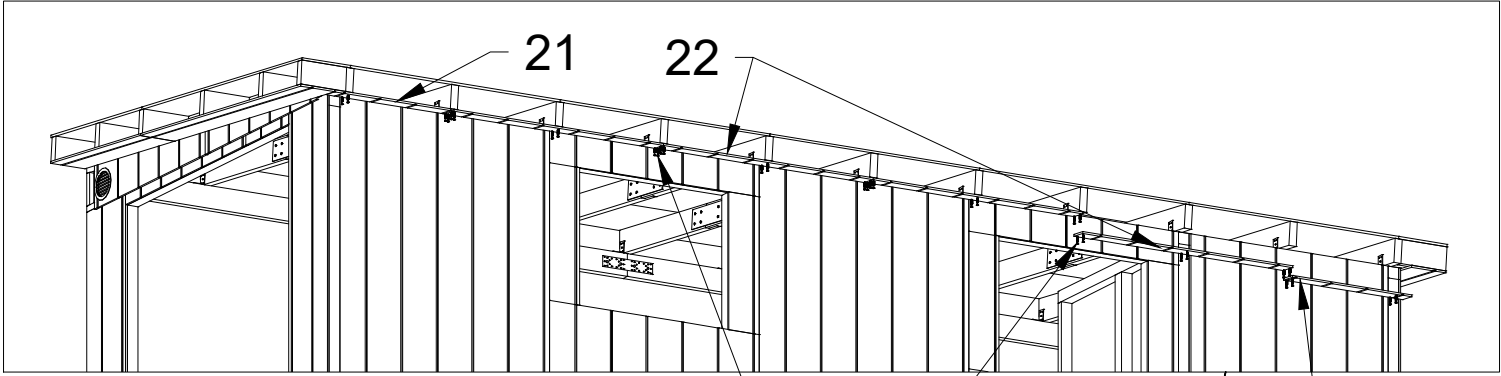


A x4

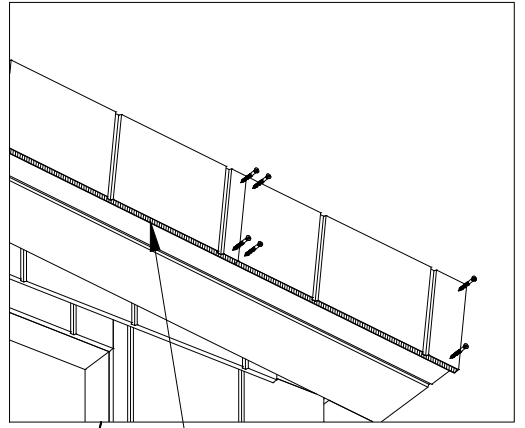
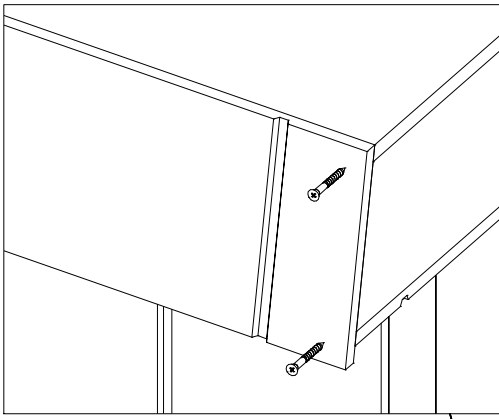








15

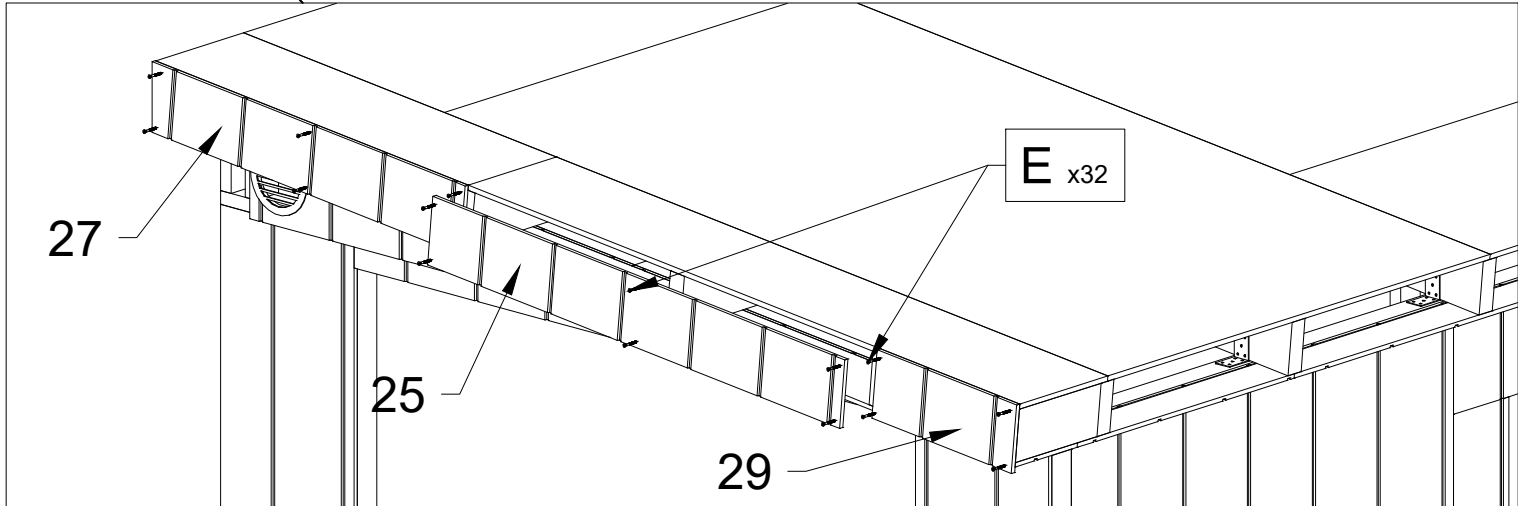
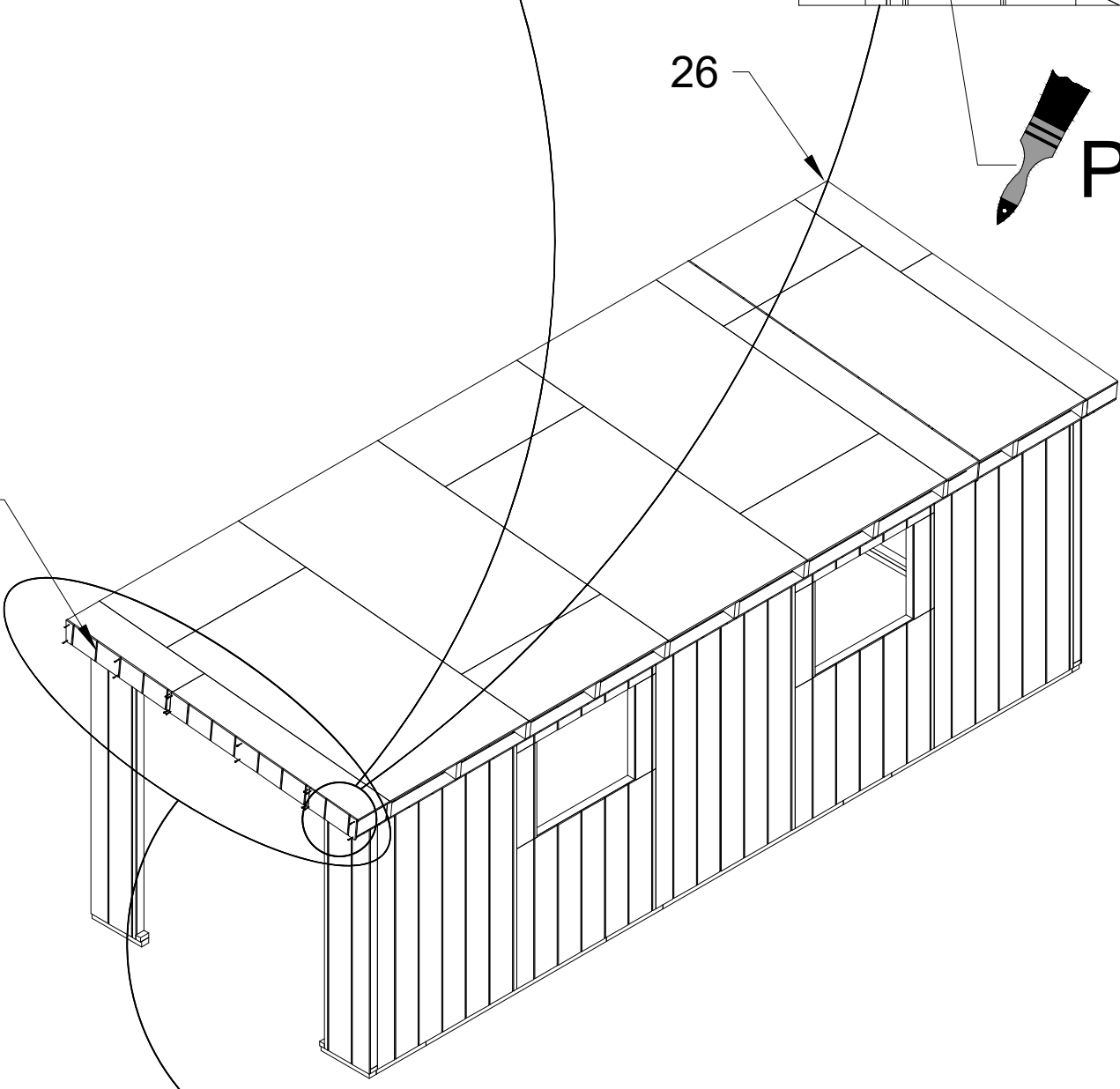


26



Paint

27



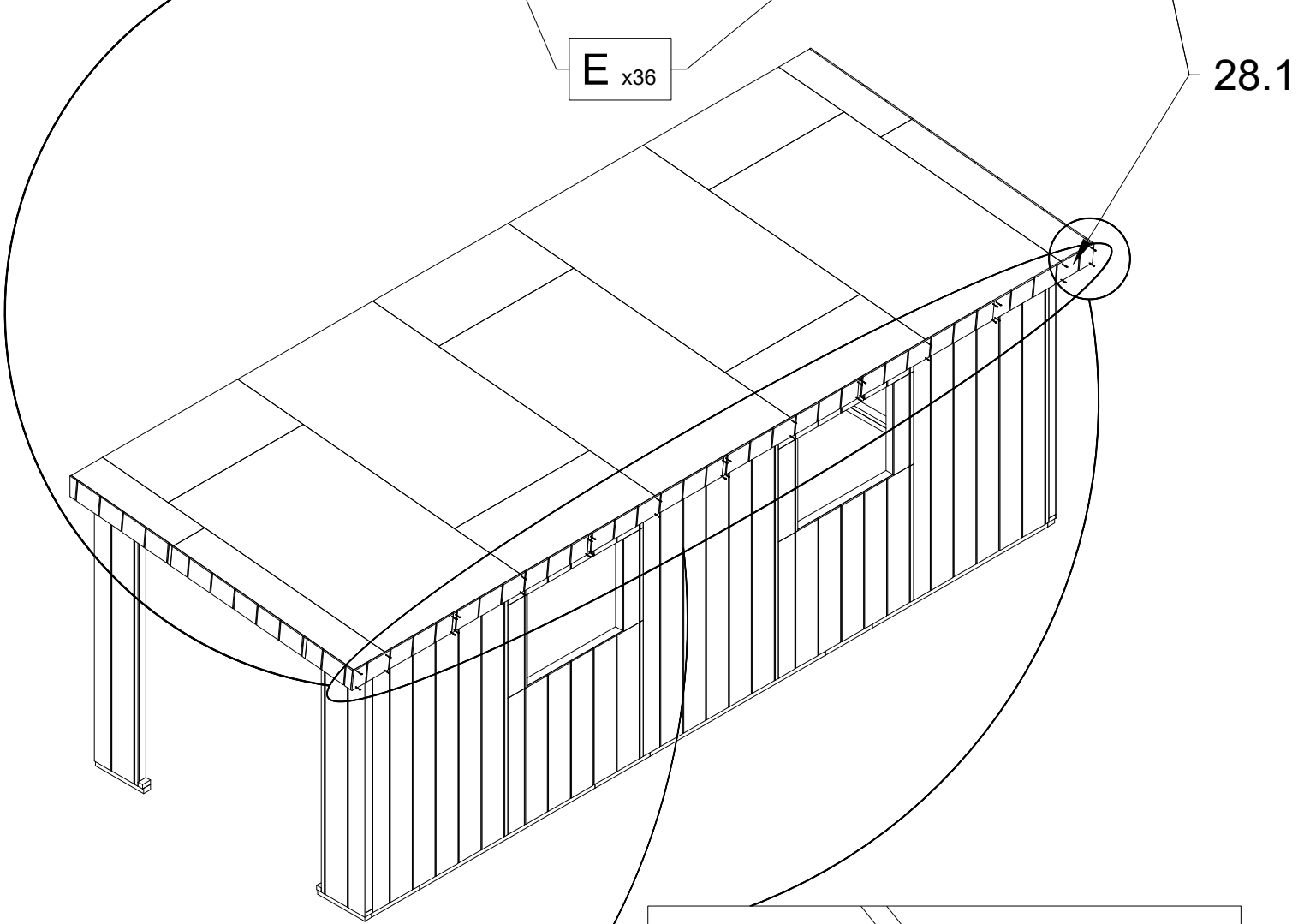
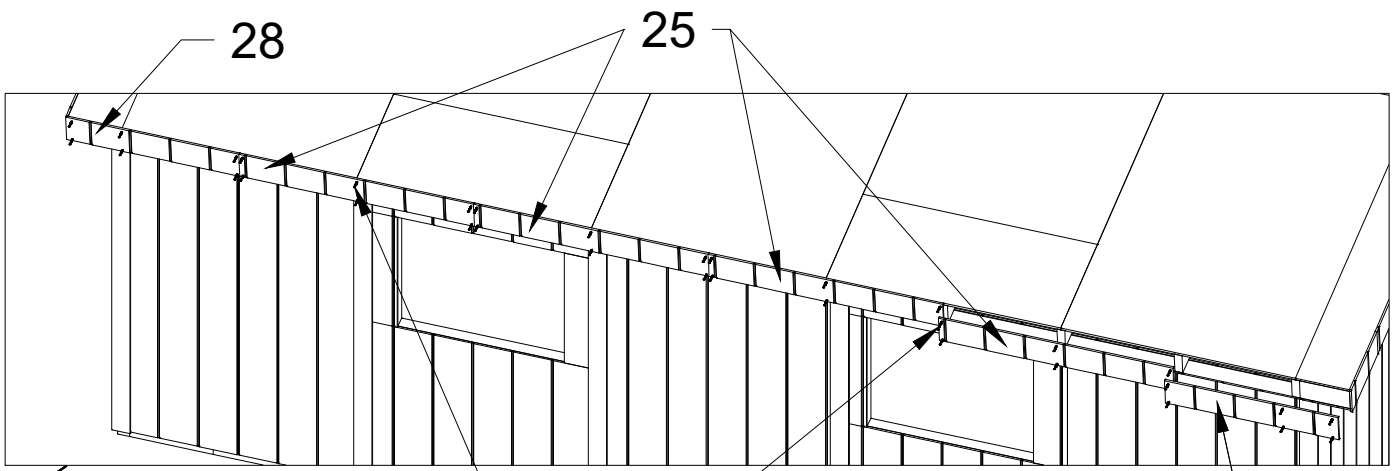
27

25

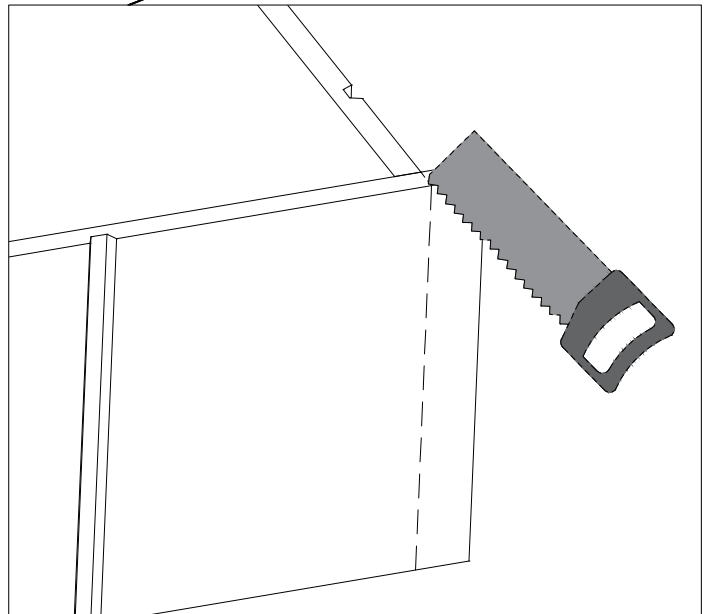
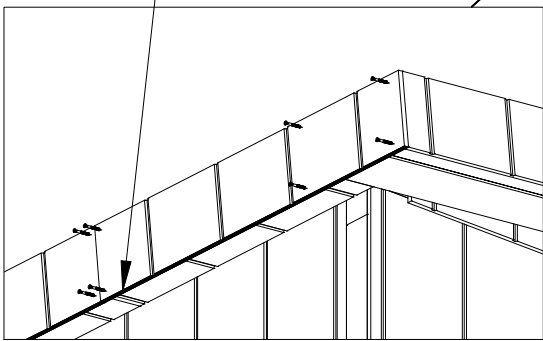
29

E x32

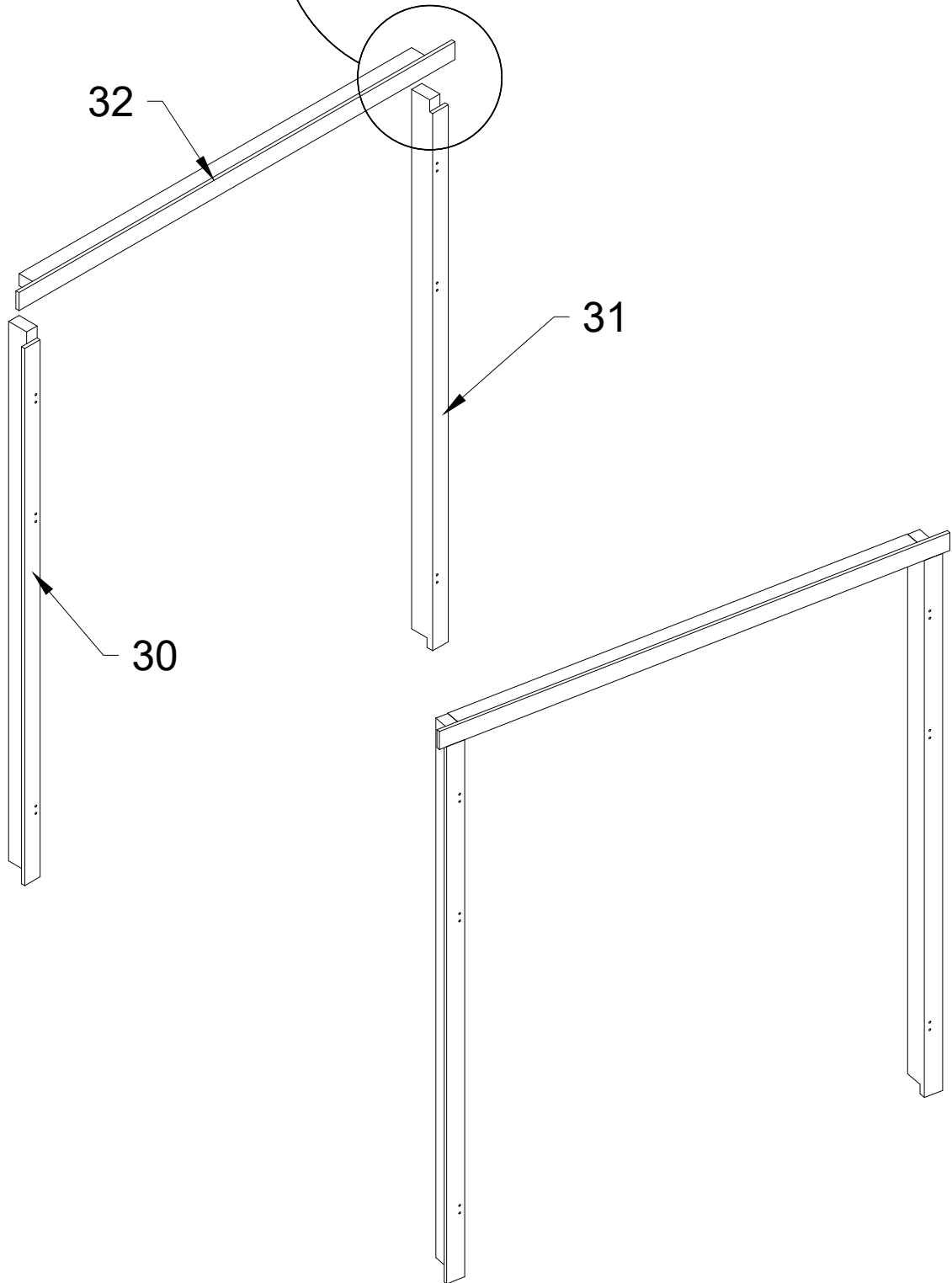
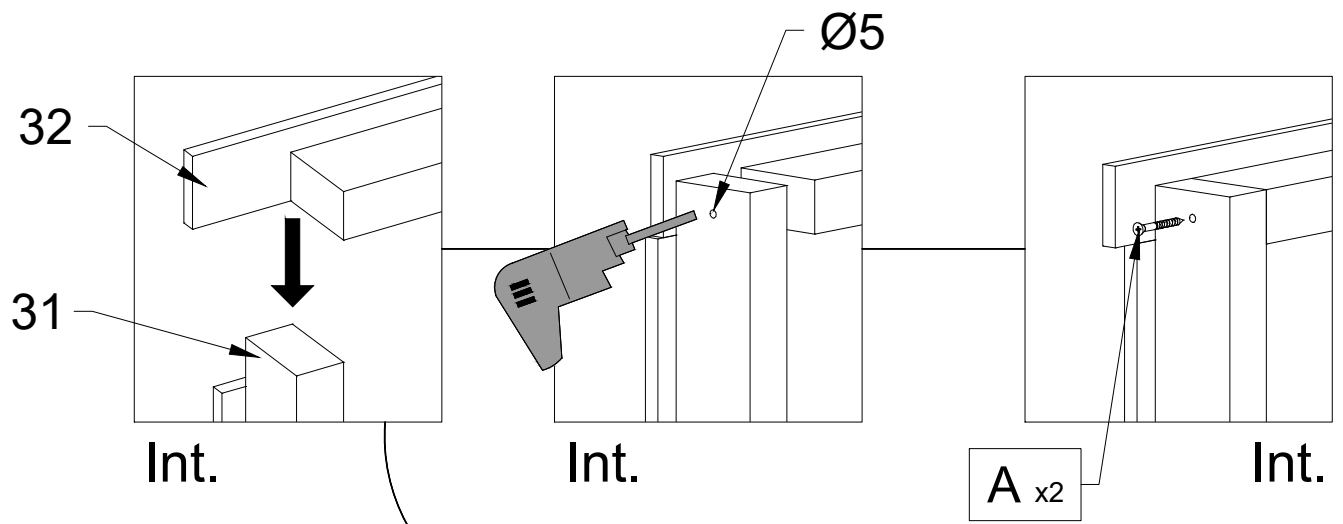
16

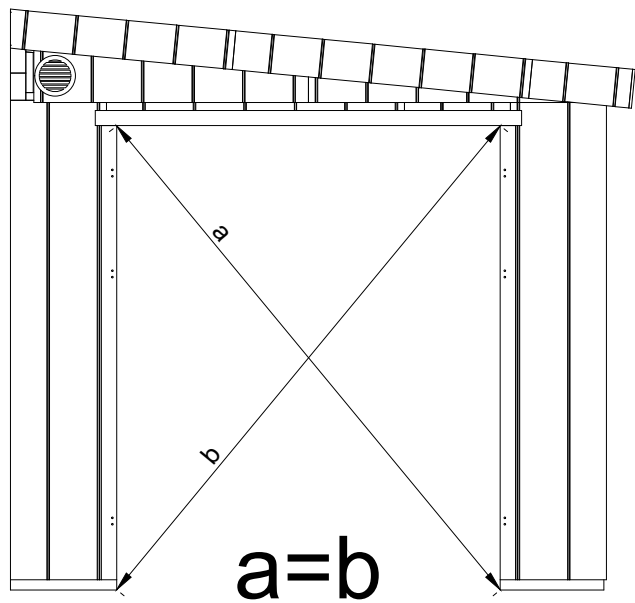


Paint

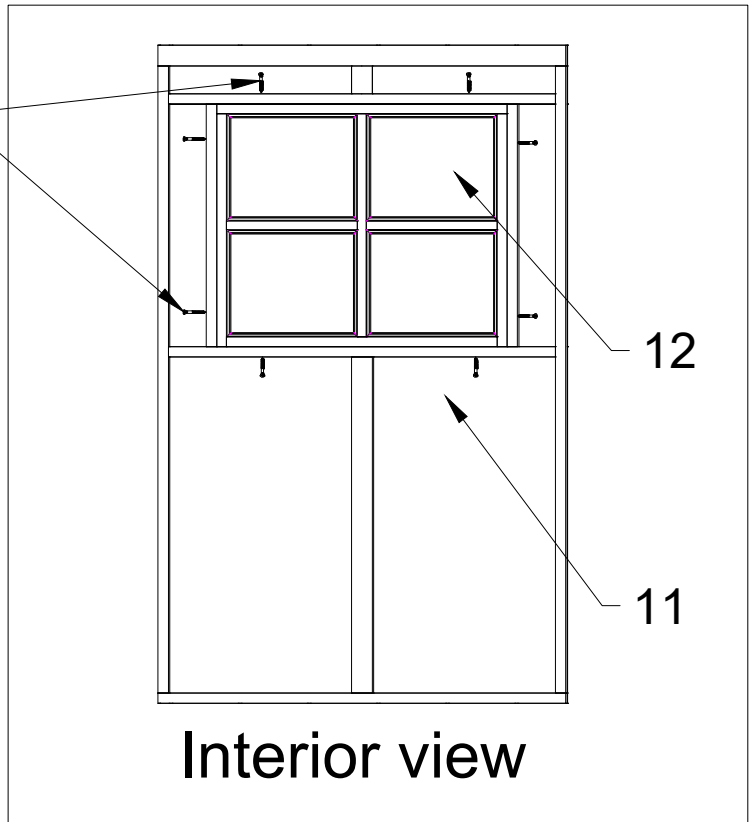


17

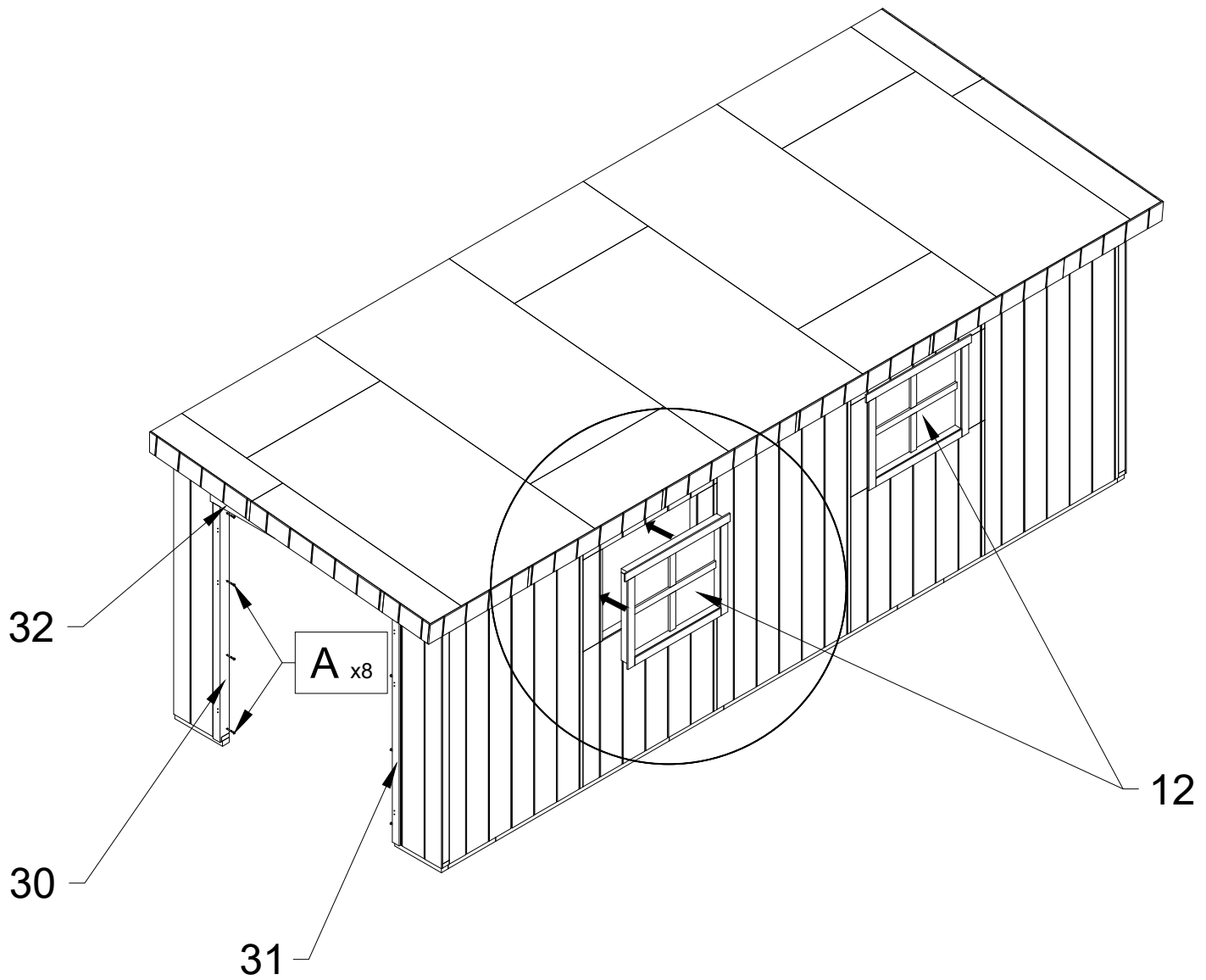




C x16



Interior view



19

14-19mm

54

57

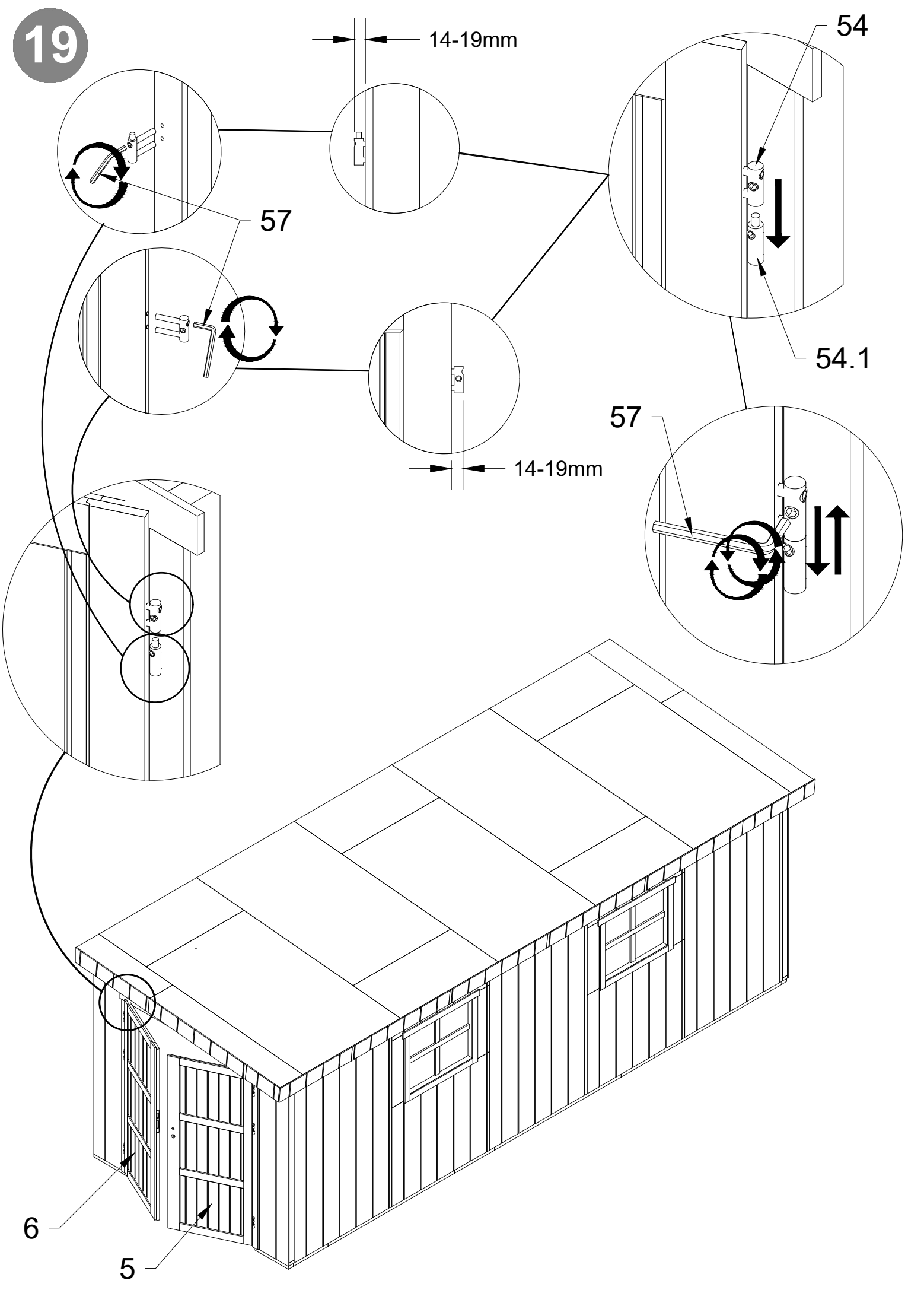
54.1

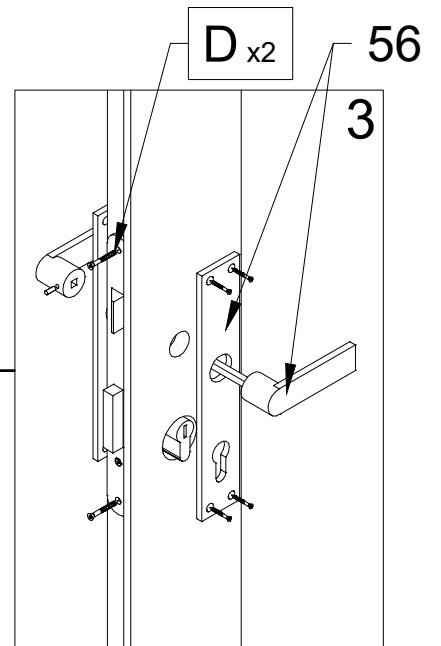
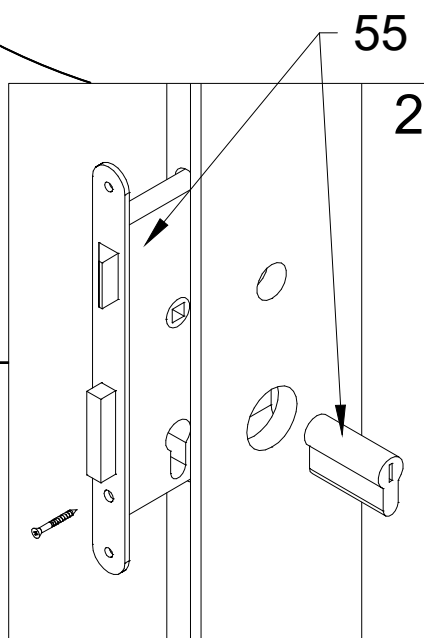
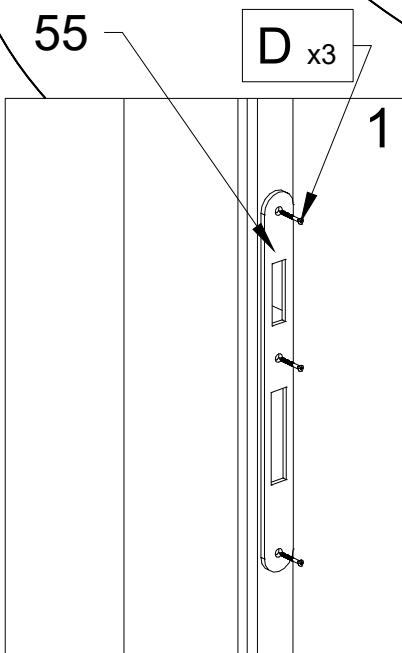
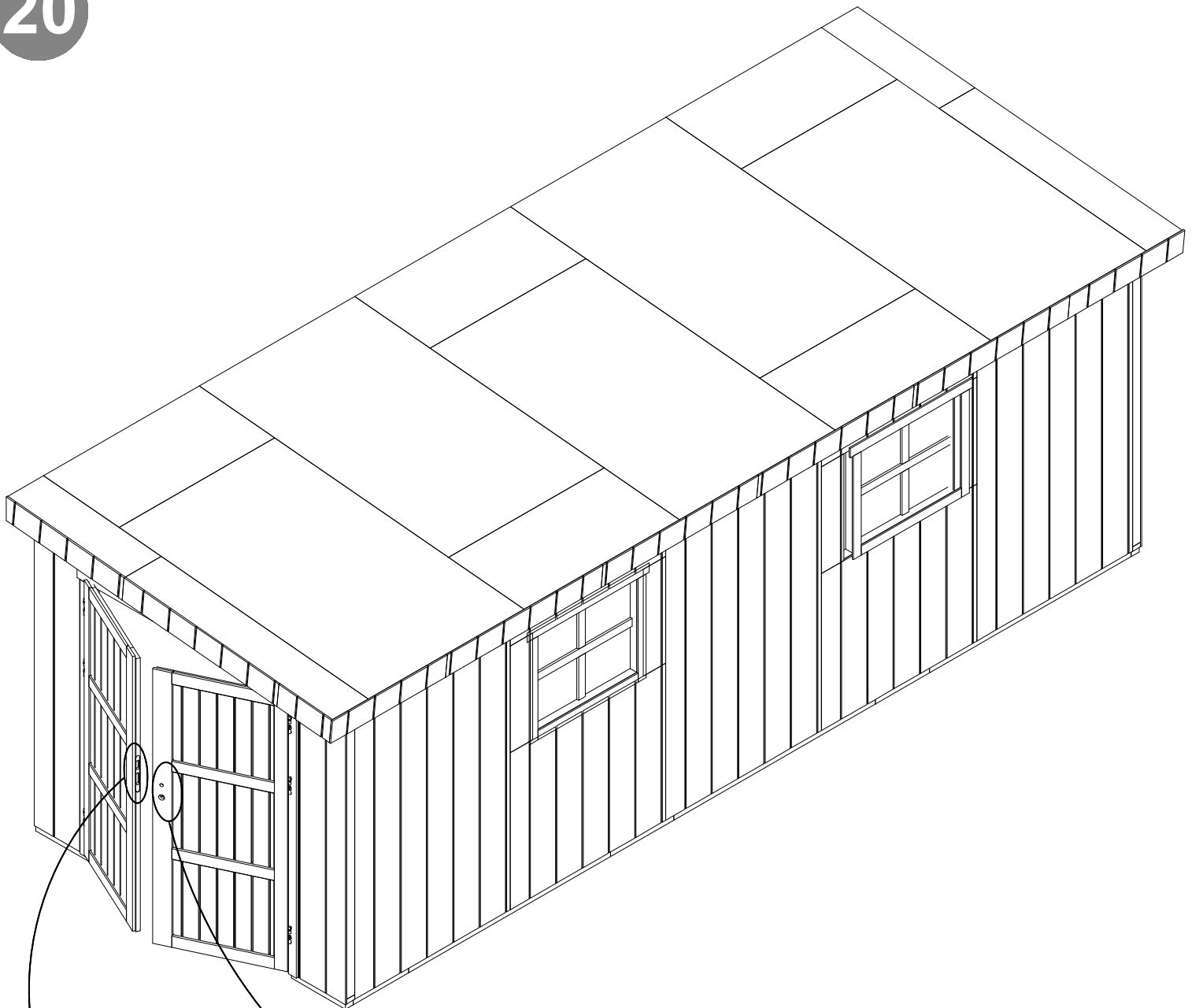
57

14-19mm

6

5







21

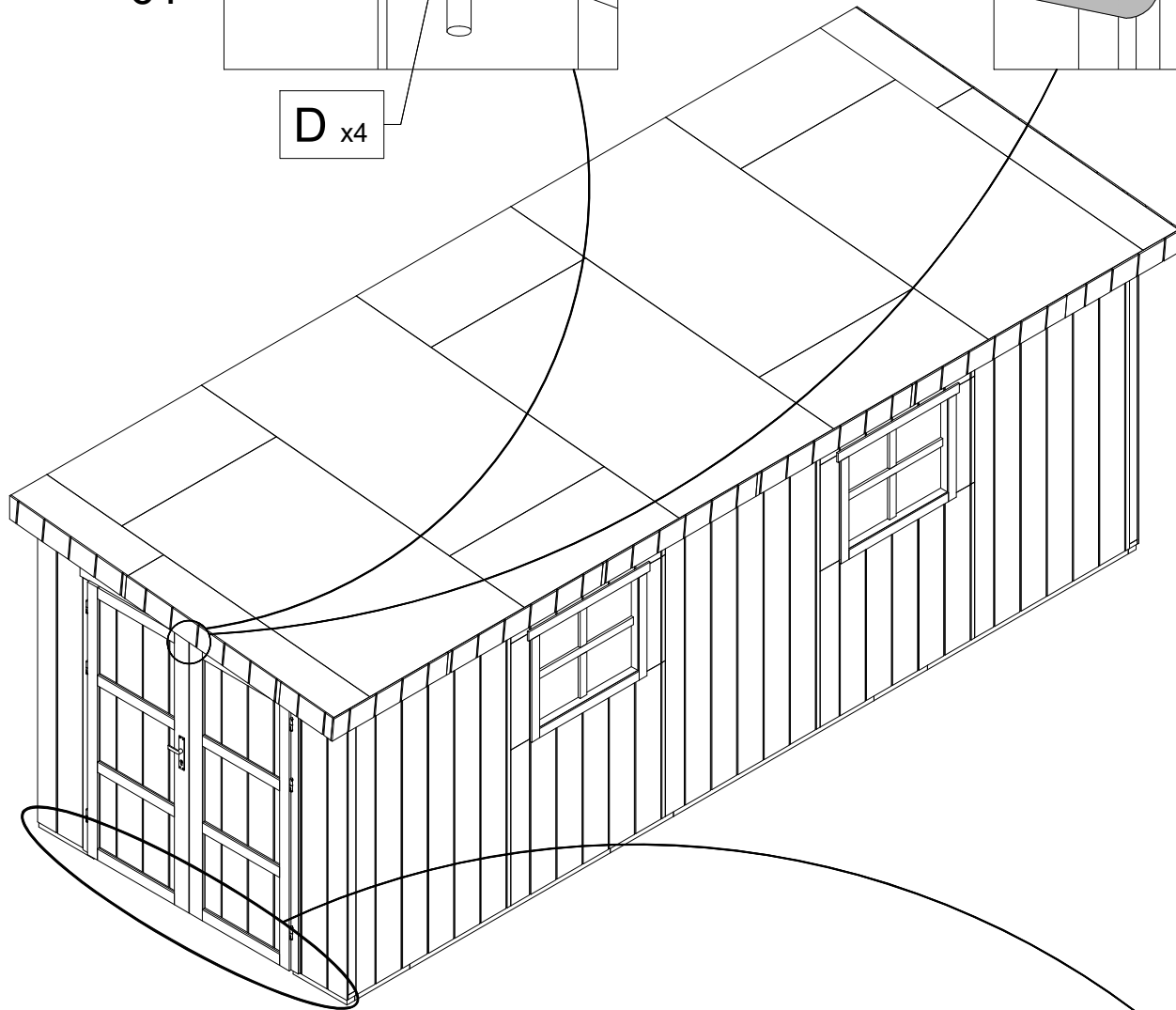
Int.

61

D x4

Int.

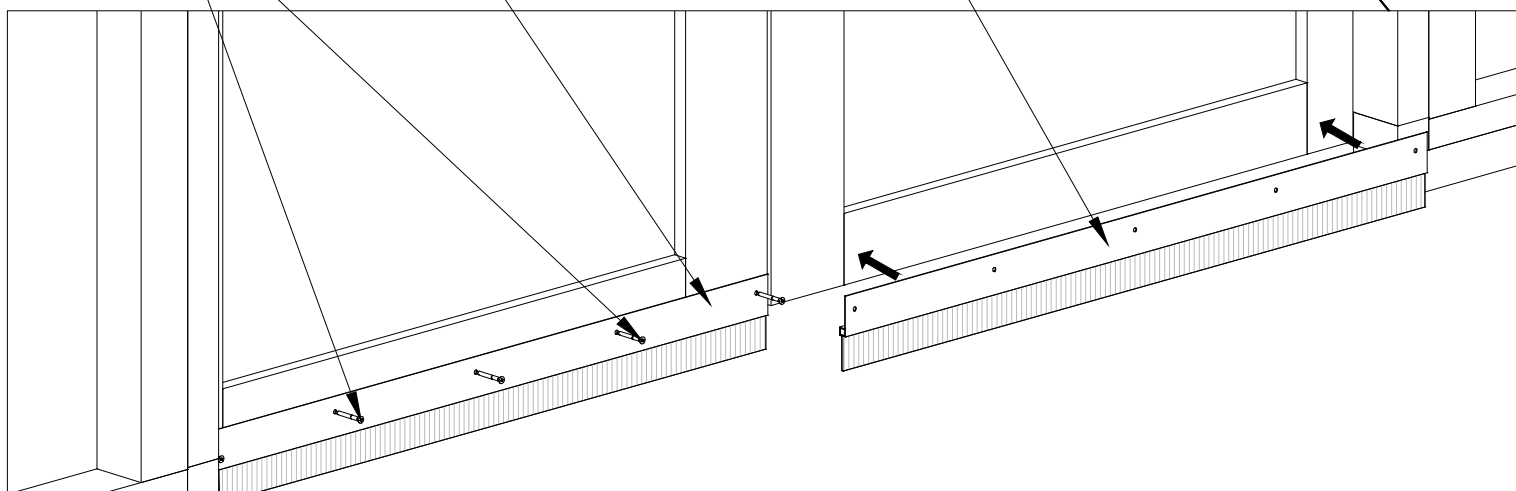
Ø12

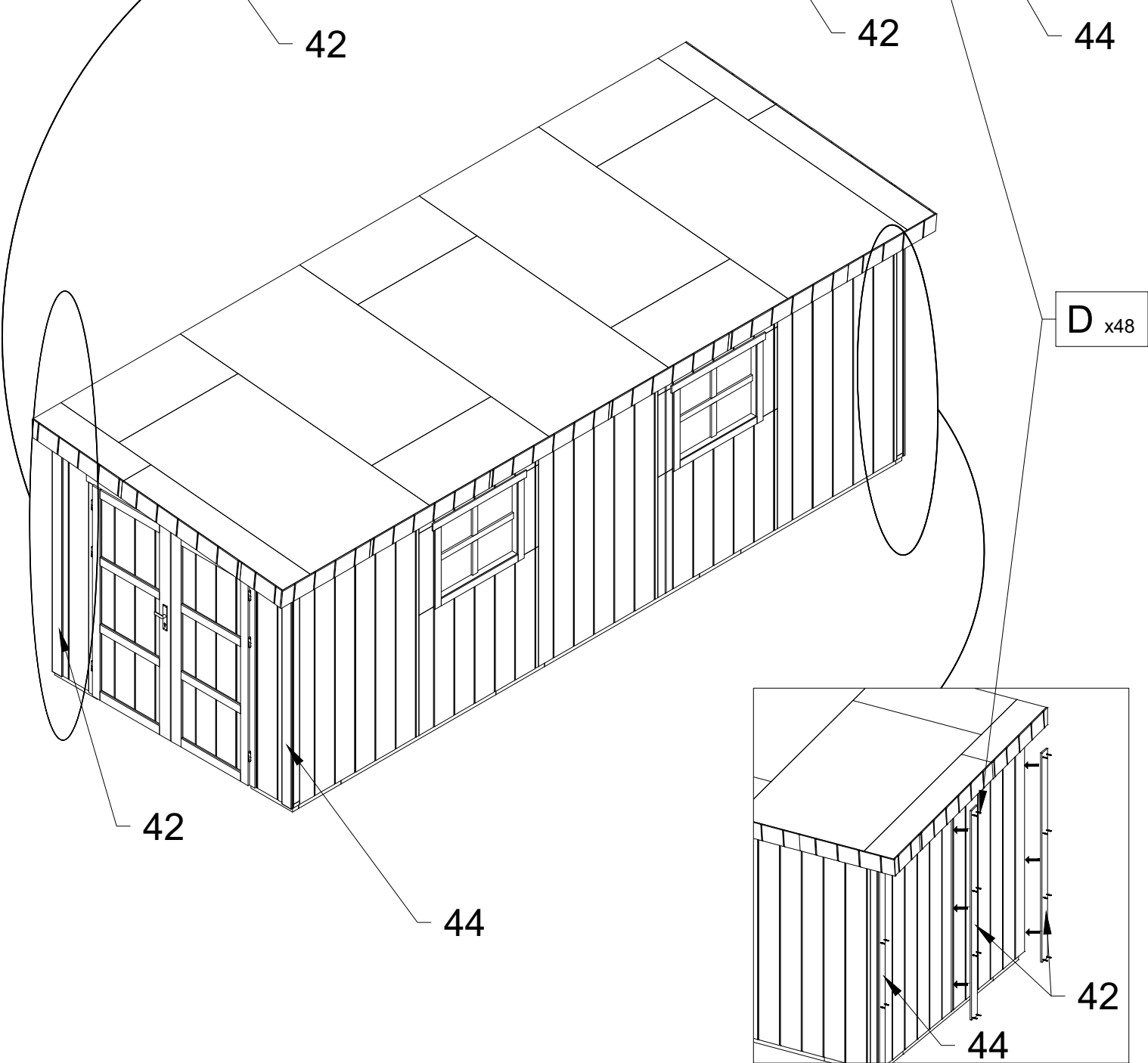
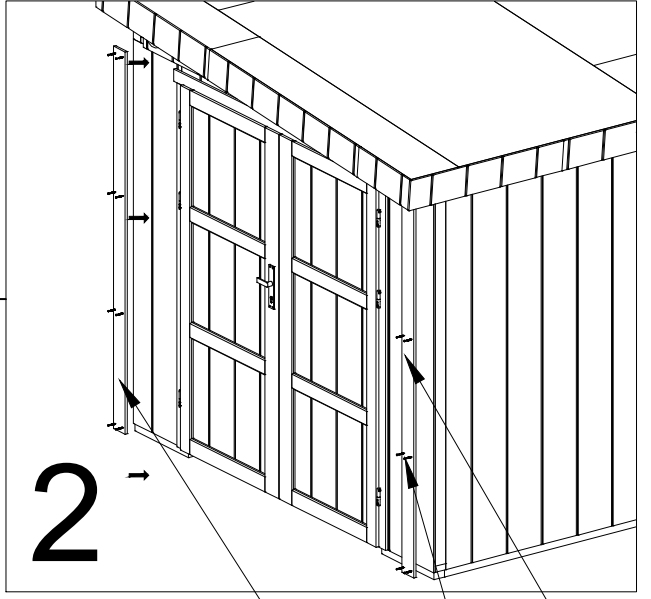
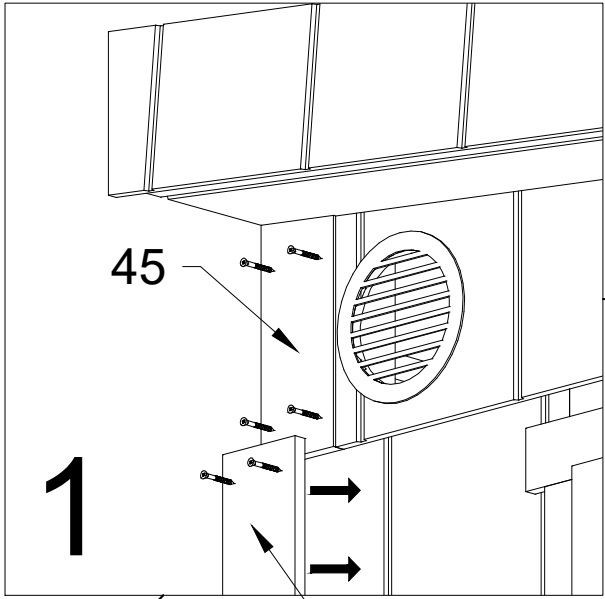


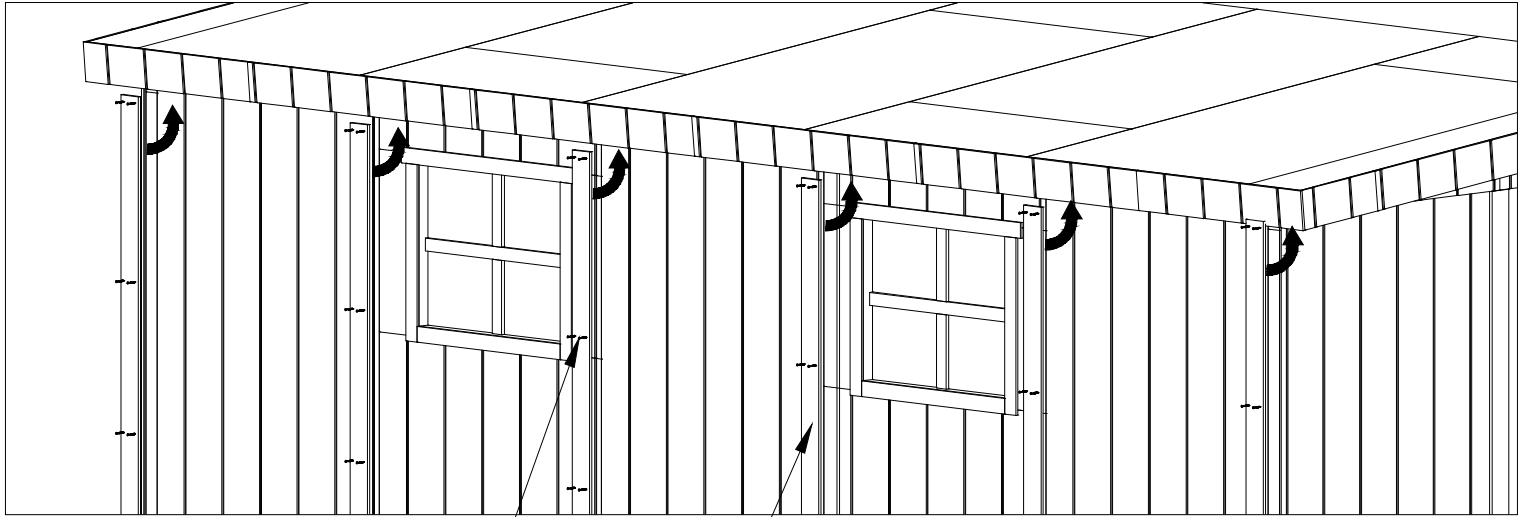
D x10

63

62

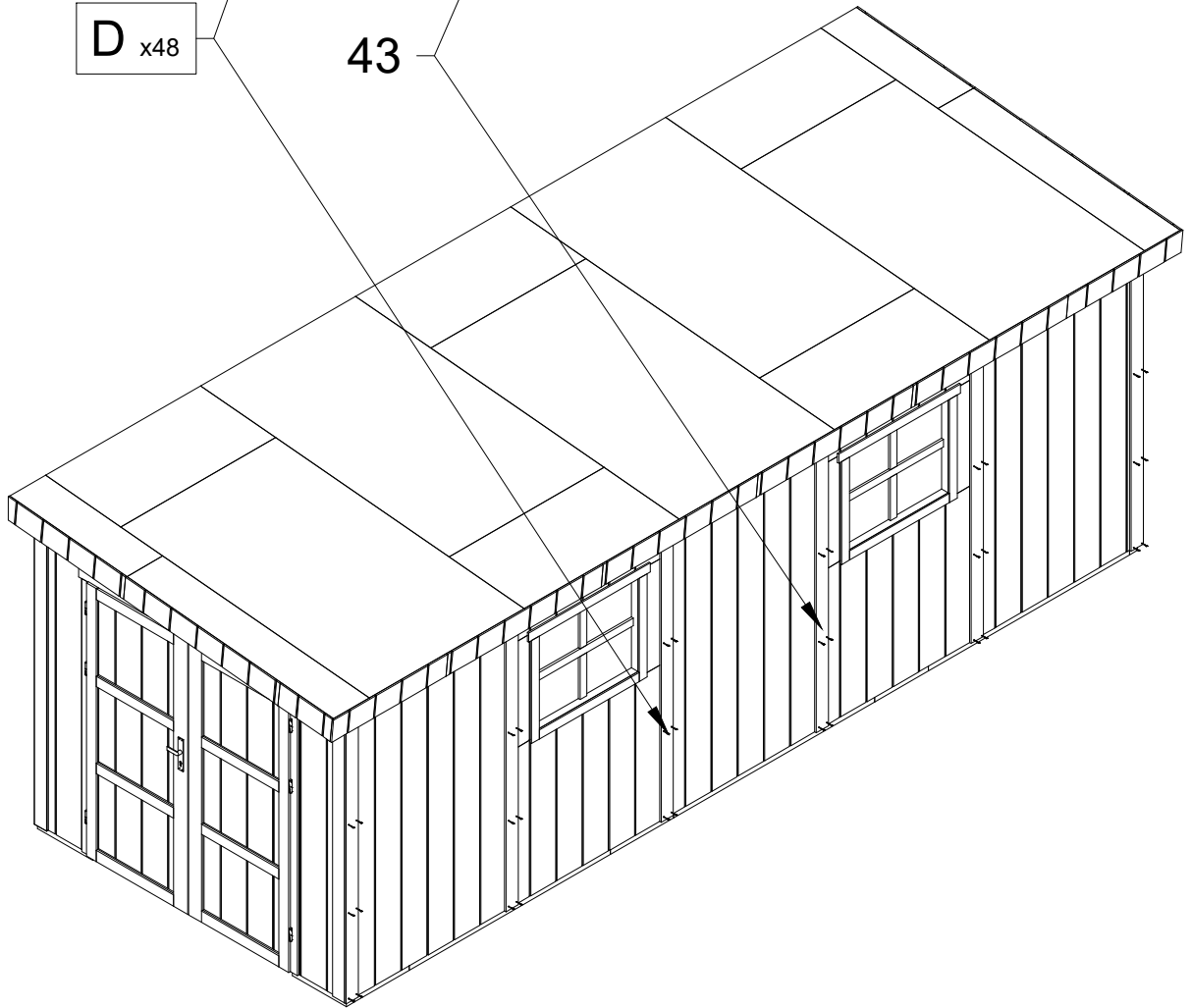


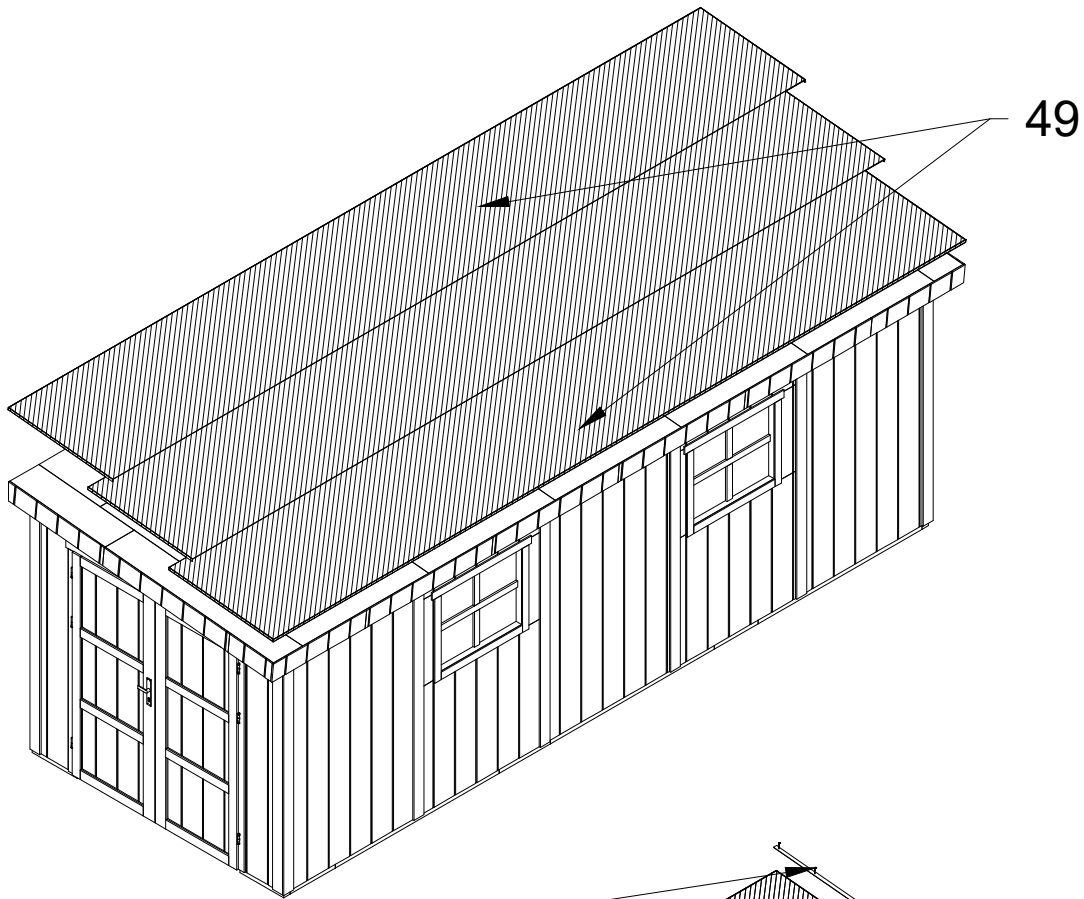




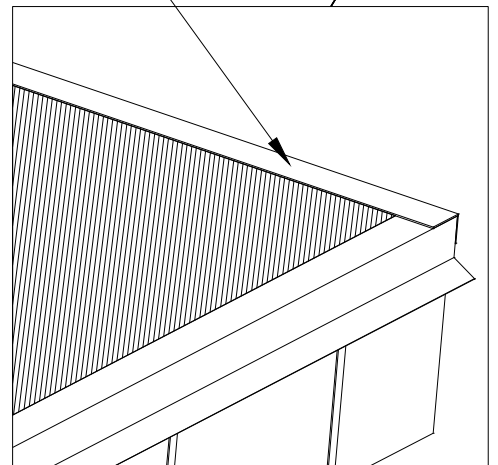
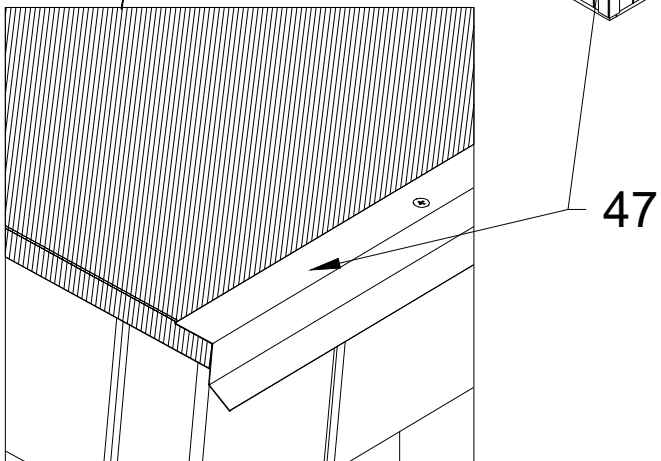
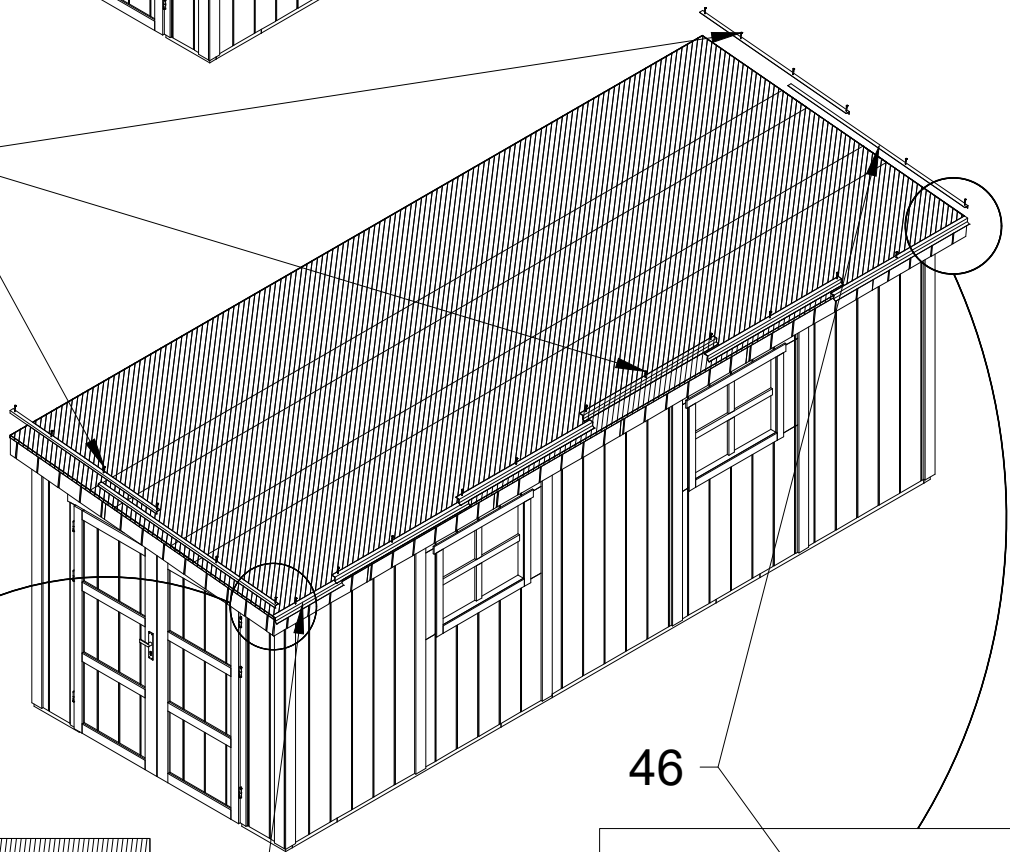
D x48

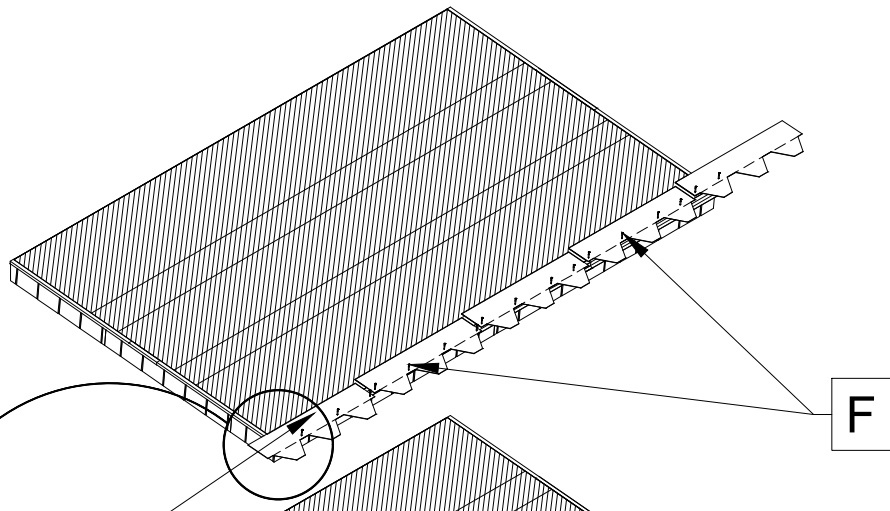
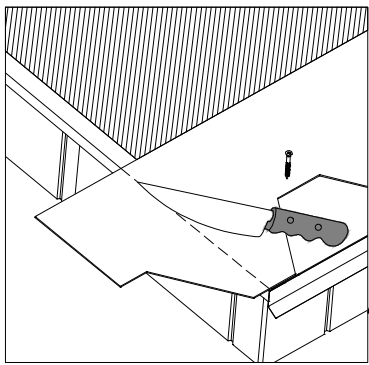
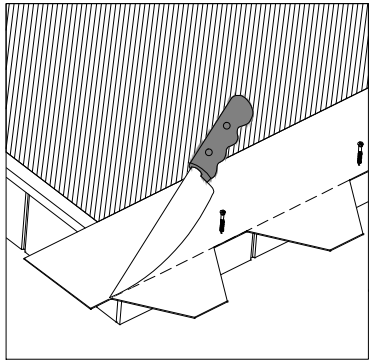
43





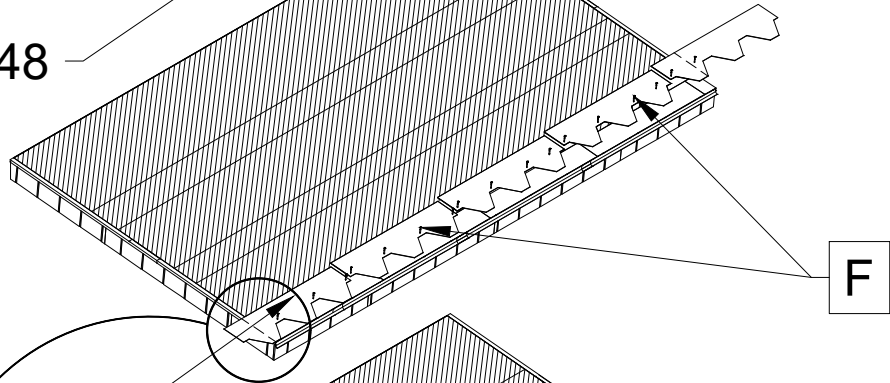
F





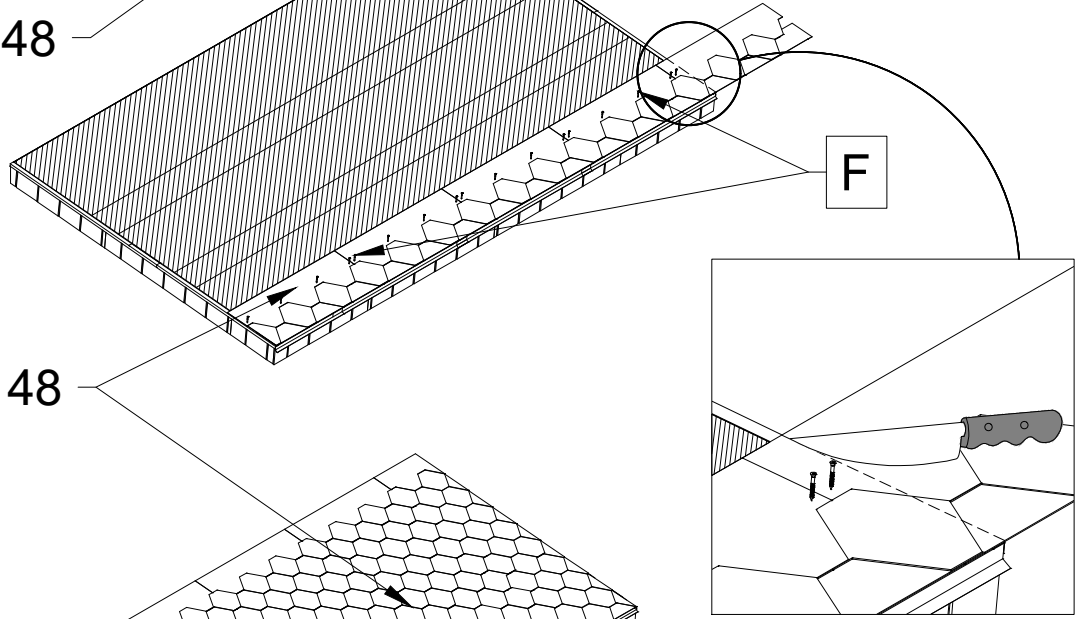
48

F



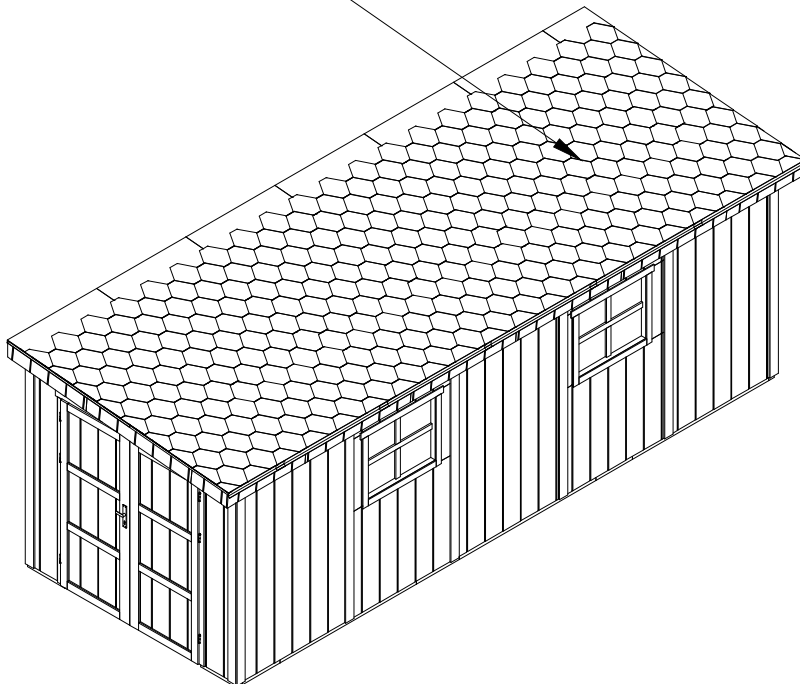
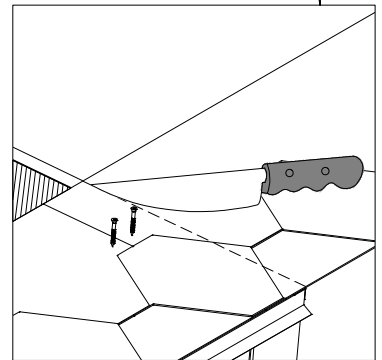
48

F



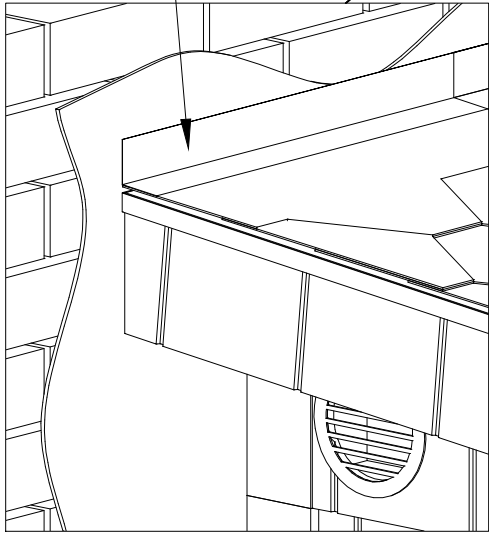
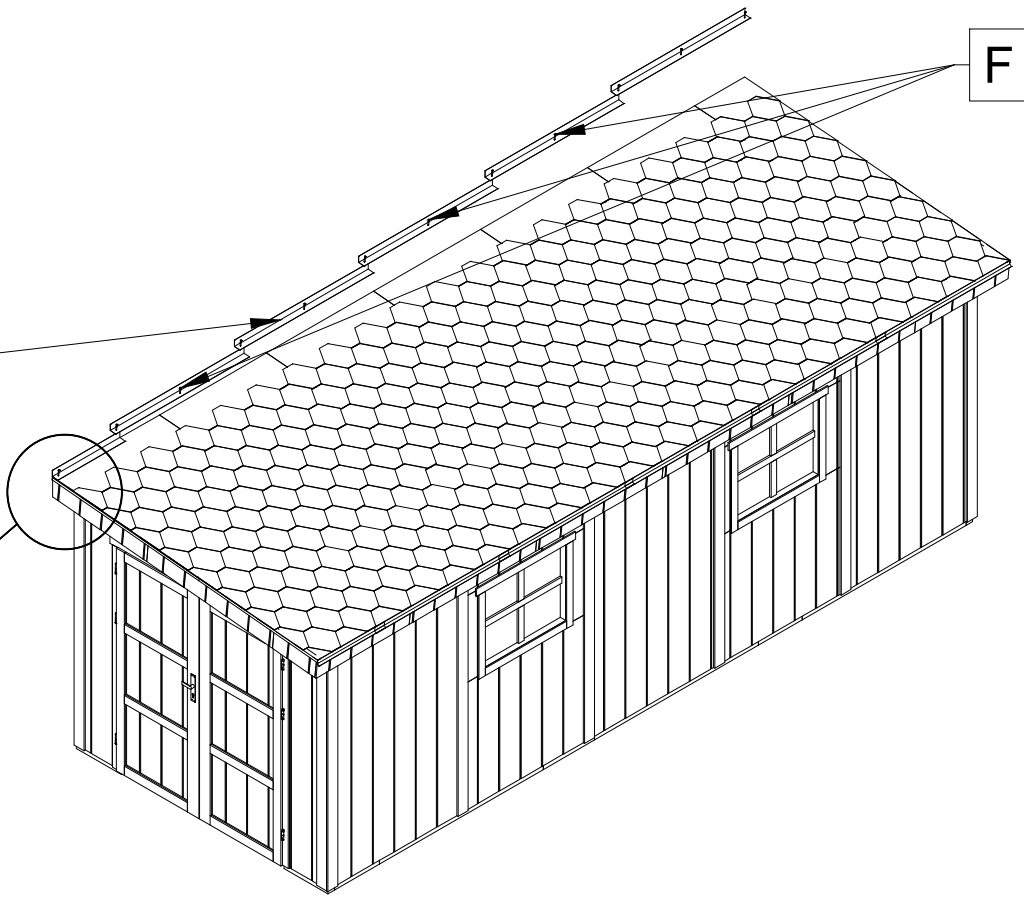
48

F



F

47.1



MAX  
120 kg/m<sup>2</sup>

