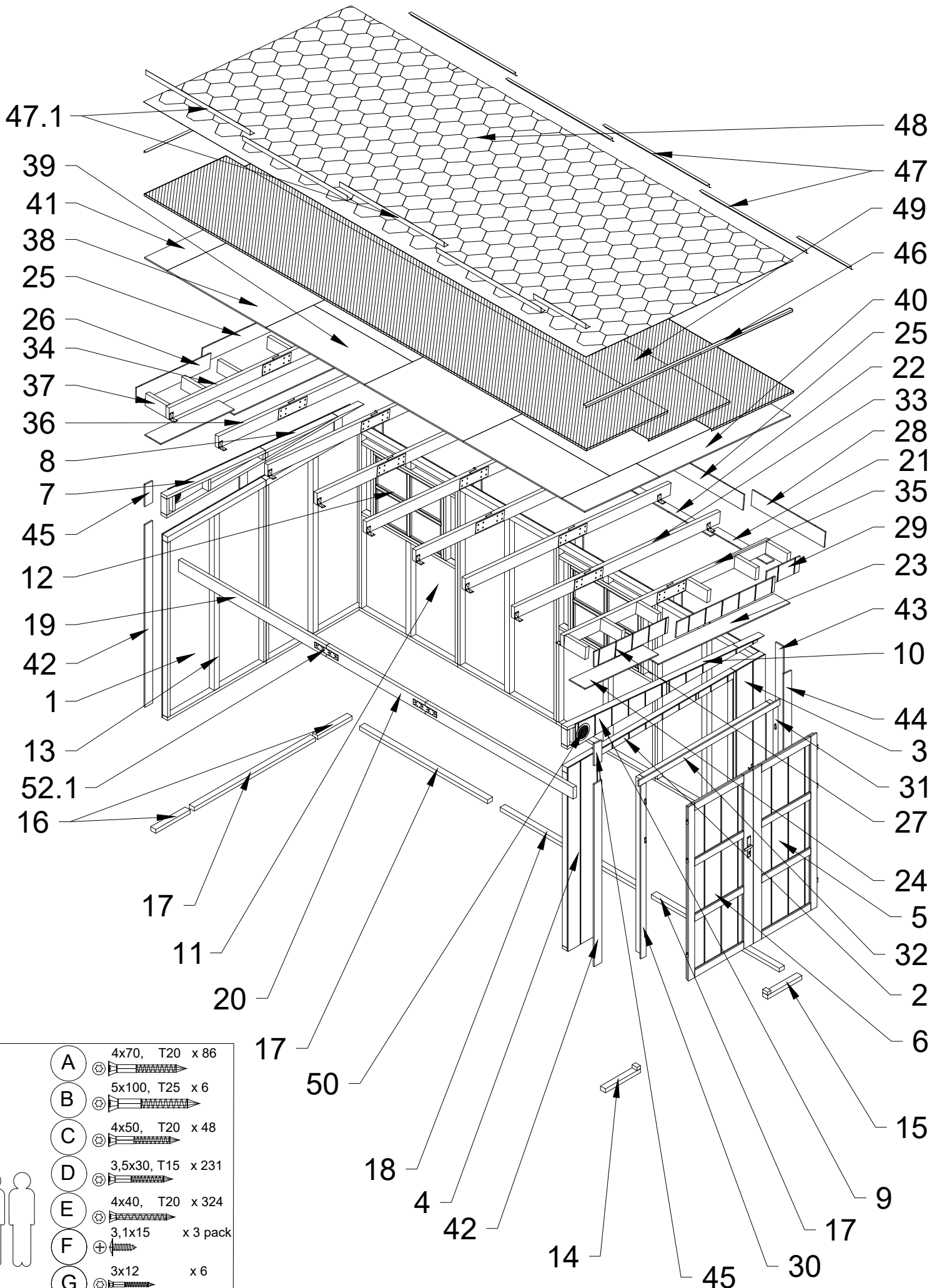
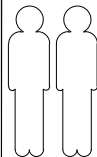
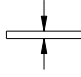
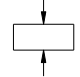
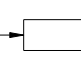

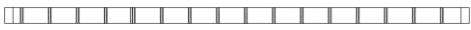


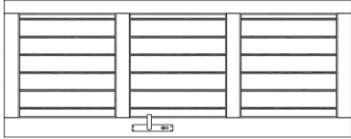
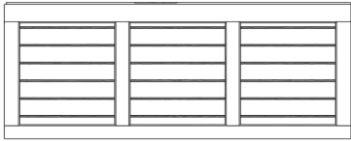
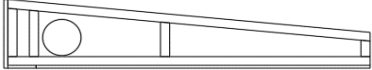

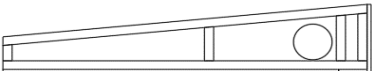
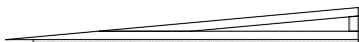
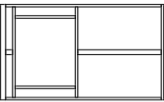


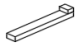








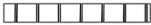
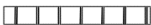

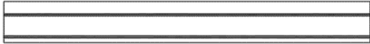
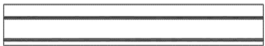





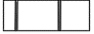








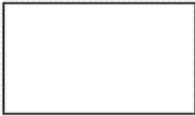
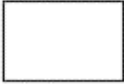





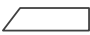
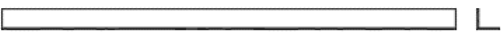
M940

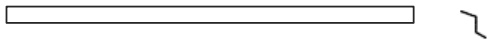
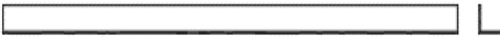
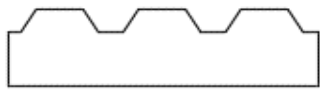
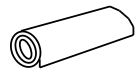

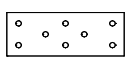

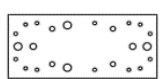
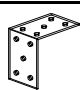


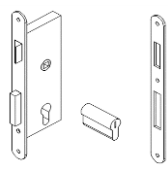
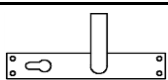


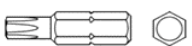
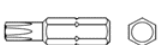
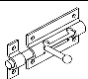
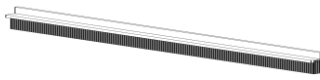
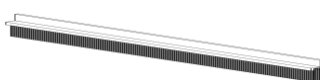


- | | |
|-----|-------------------|
| (A) | 4x70, T20 x 86 |
| (B) | 5x100, T25 x 6 |
| (C) | 4x50, T20 x 48 |
| (D) | 3,5x30, T15 x 231 |
| (E) | 4x40, T20 x 324 |
| (F) | 3,1x15 x 3 pack |
| (G) | 3x12 x 6 |
| (H) | 10x60 x 72 |

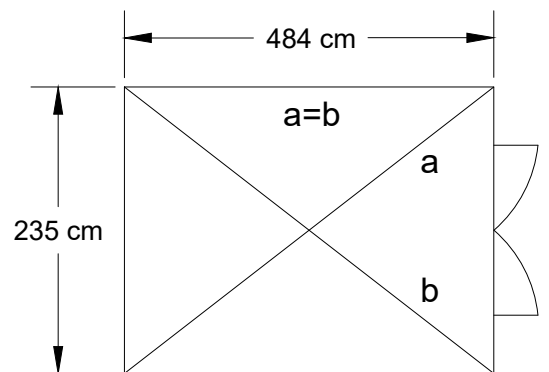
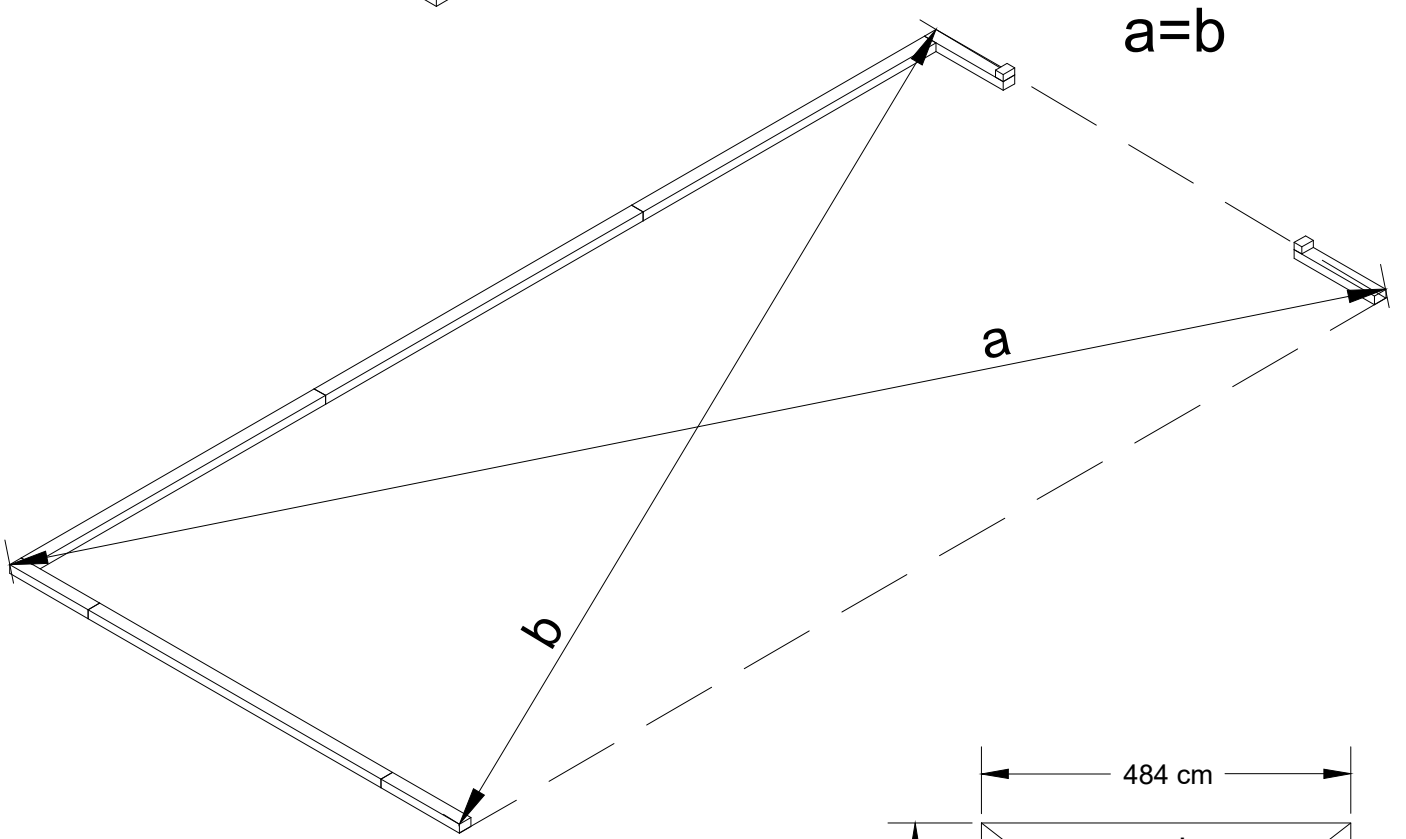
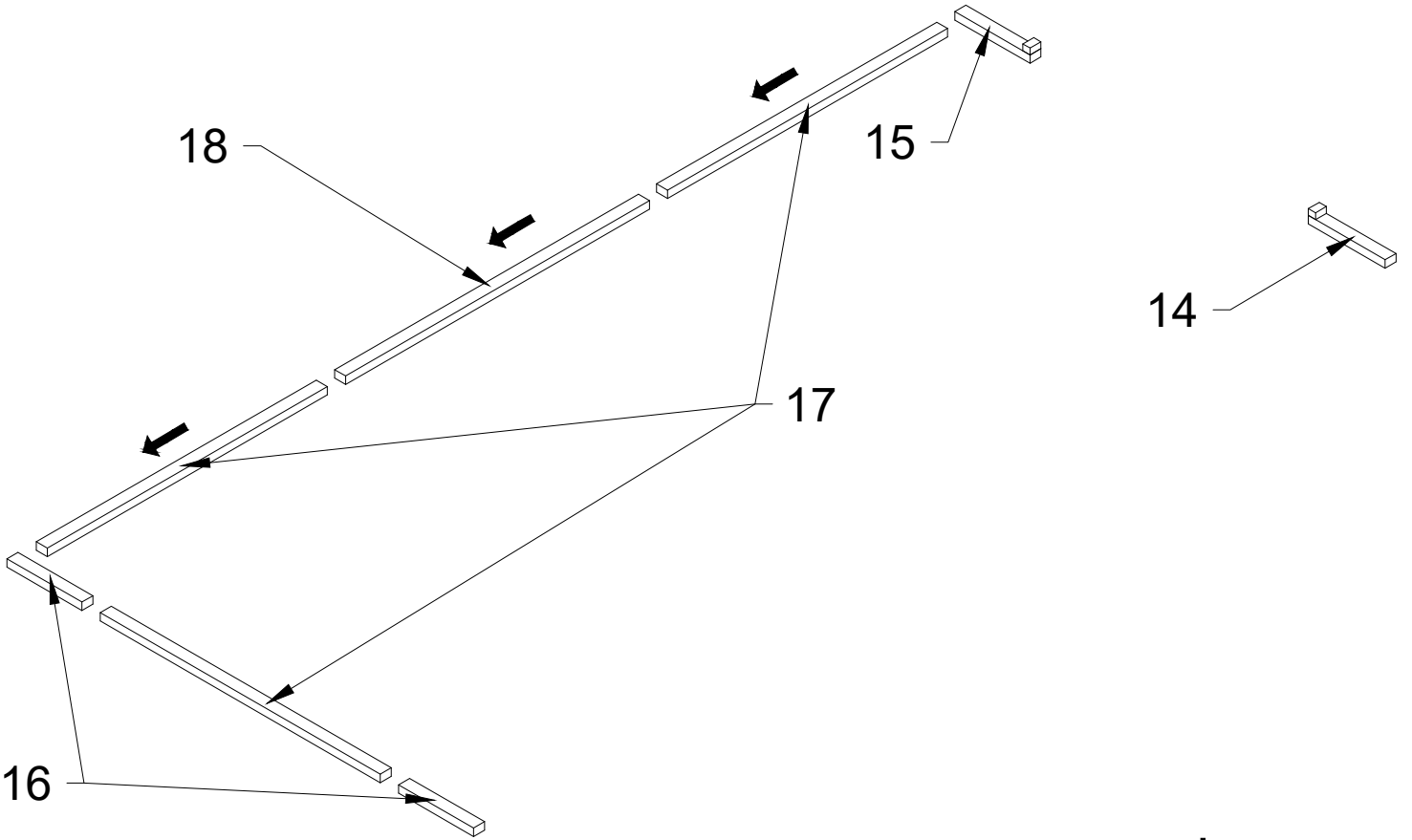


№		PCS			
			mm	mm	mm
1		4		1180	1900
2		1		60	1660
3		1		380	1900
4		1		380	1900
5		1		770	1801
6		1		770	1801
7		1		238	1180
8		1		124	1170
9		1		238	1180
10		1		124	1170
11		2		1180	1900
12		2			
13		4	60	60	1810
14		1	60	70	420
15		1	60	70	410
16		2	40	60	410
17		3	40	60	1530
18		1	40	60	1660
19		2	40	120	1770
20		1	40	120	1180

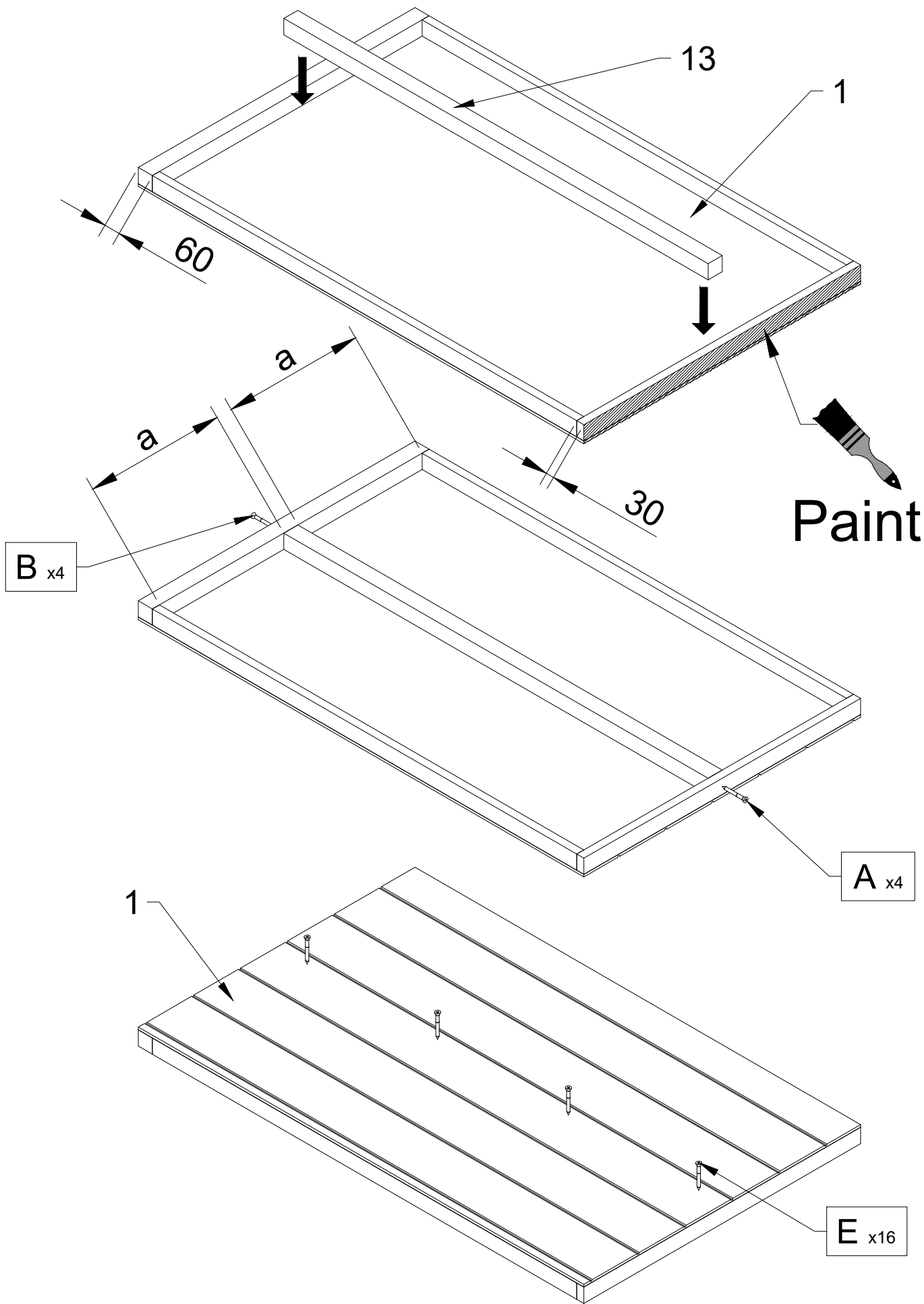
21		1	10	89	670
21.1		1	10	89	690
22		3	10	89	1180
23		2	10	192	1579
24		2	10	192	883
25		5	10	152	1180
26		1	10	152	897
27		1	10	152	897
28		1	10	152	872
28.1		1	10	152	892
29		2	10	152	399
30		1	60	82	1839
31		1	60	82	1839
32		1	60	82	1688
33		4	40	120	1620
34		5	40	120	1335
35		5	40	120	1219
36		4	40	120	934
37		12	40	120	252
38		4	12	1179	1900
39		4	12	575	1179
40		2	12	271	1579
41		2	12	271	896
42		3	13	92	1890
43		5	13	92	1887
44		2	13	92	1899
45		2	13	92	228
46		4			1660

47		5			1250
47.1		5			1250
48		5			
49		3		1m	5.33m
50		2			
51		2			
52		18			
52.1		4			
53		20			
54		6			
54.1		6			
55		1			
56		1			
57		1			
58		1	T25		
59		1	T20		
60		1	T15		
61		1			
62		1			746
63		1			756

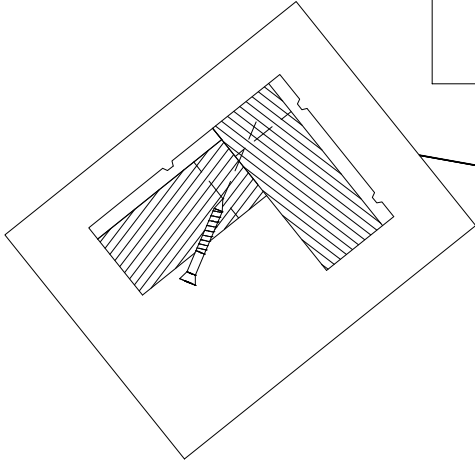
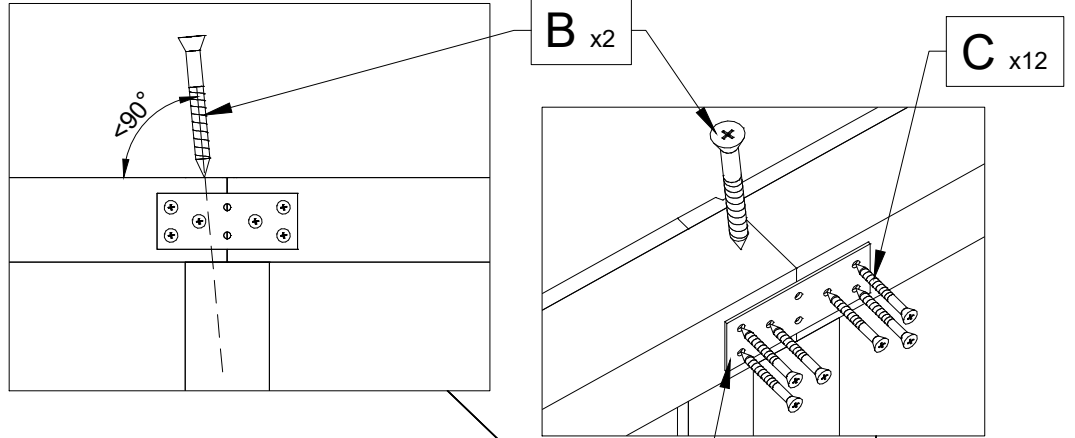
1



2



3



C x12

51

60

2

51

3

4

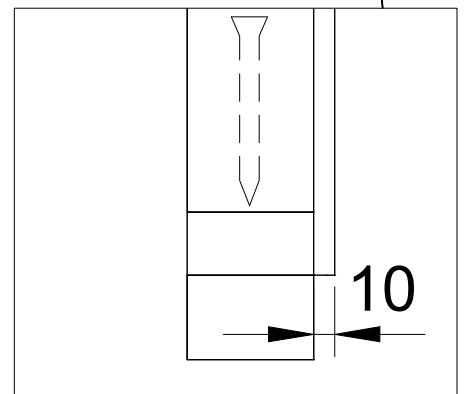
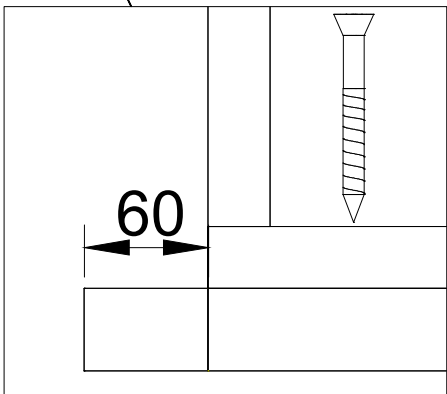
10

1

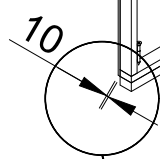
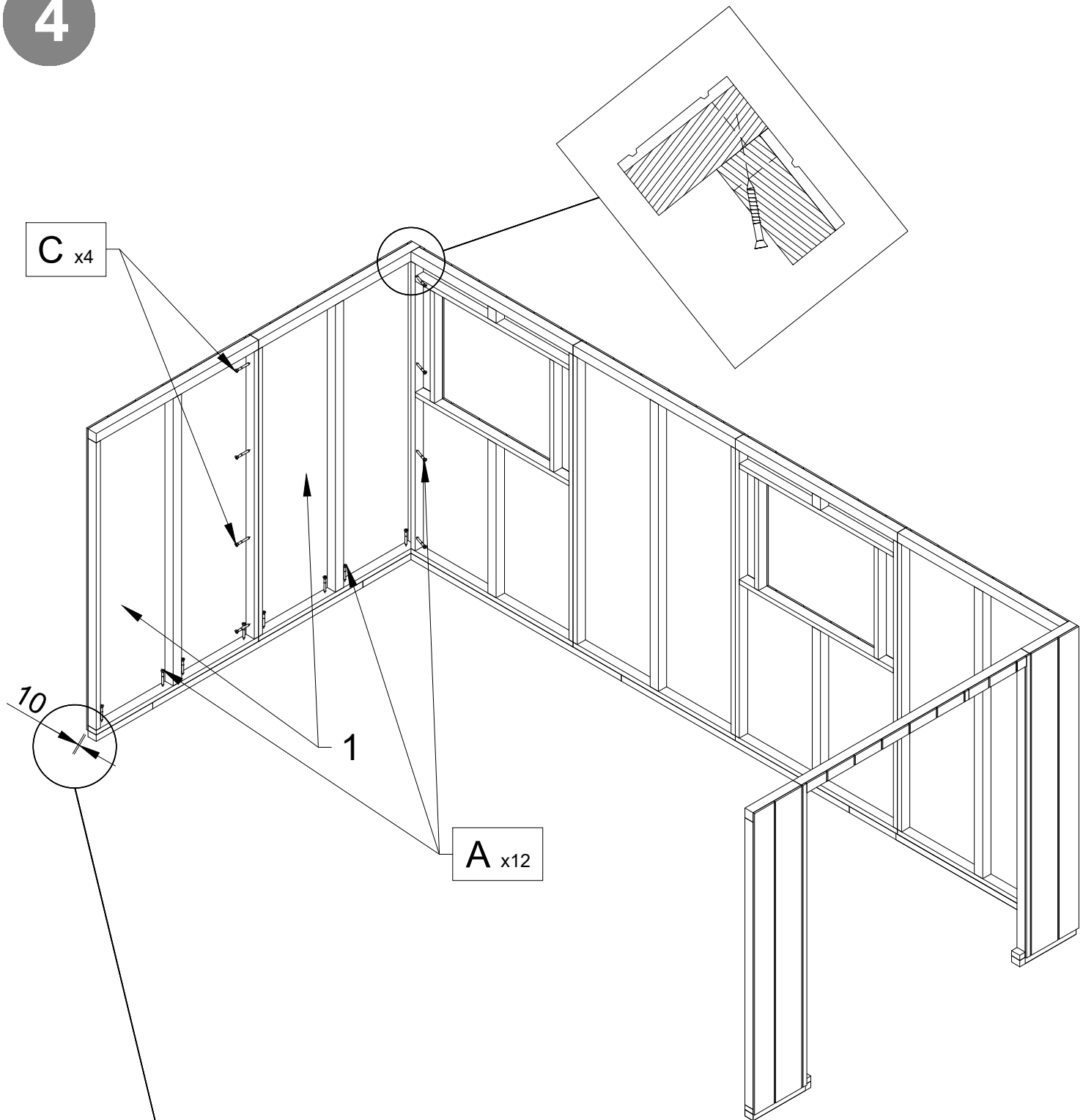
11

A x24

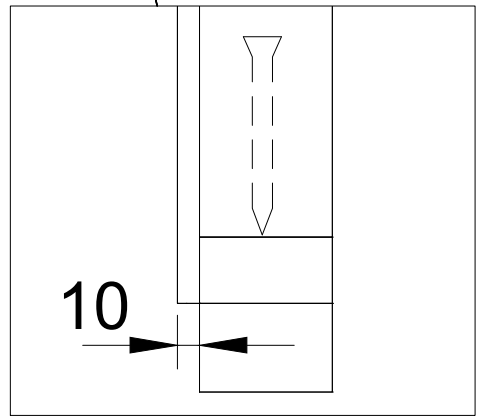
60



4

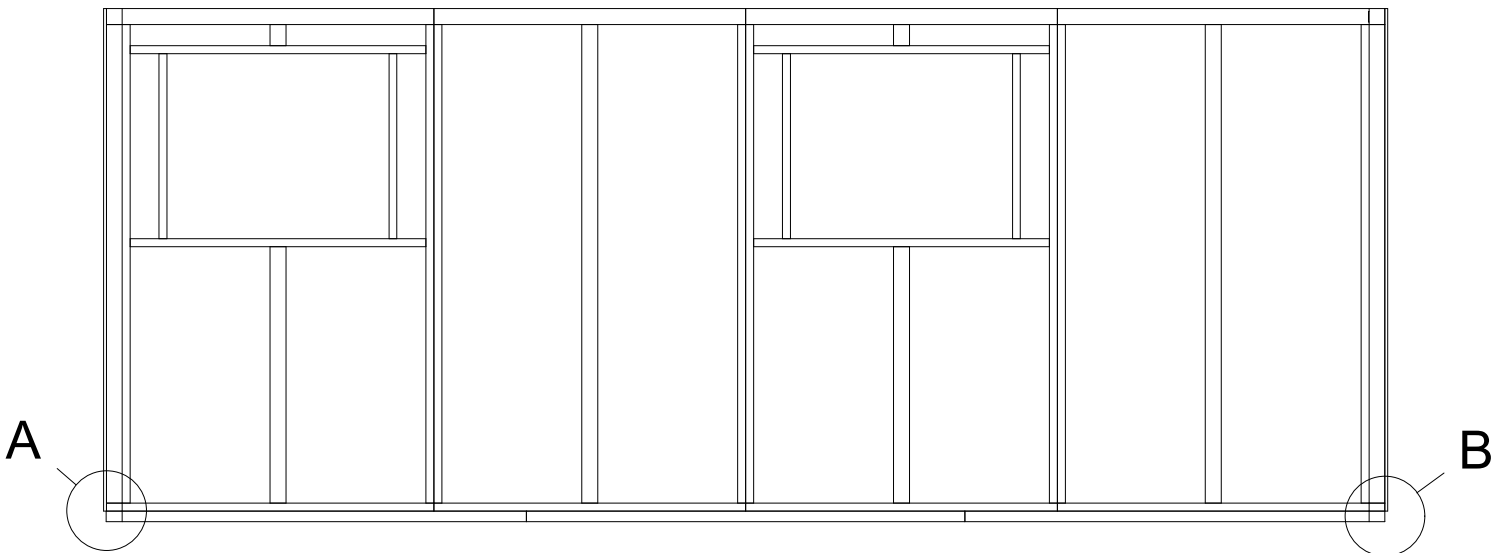
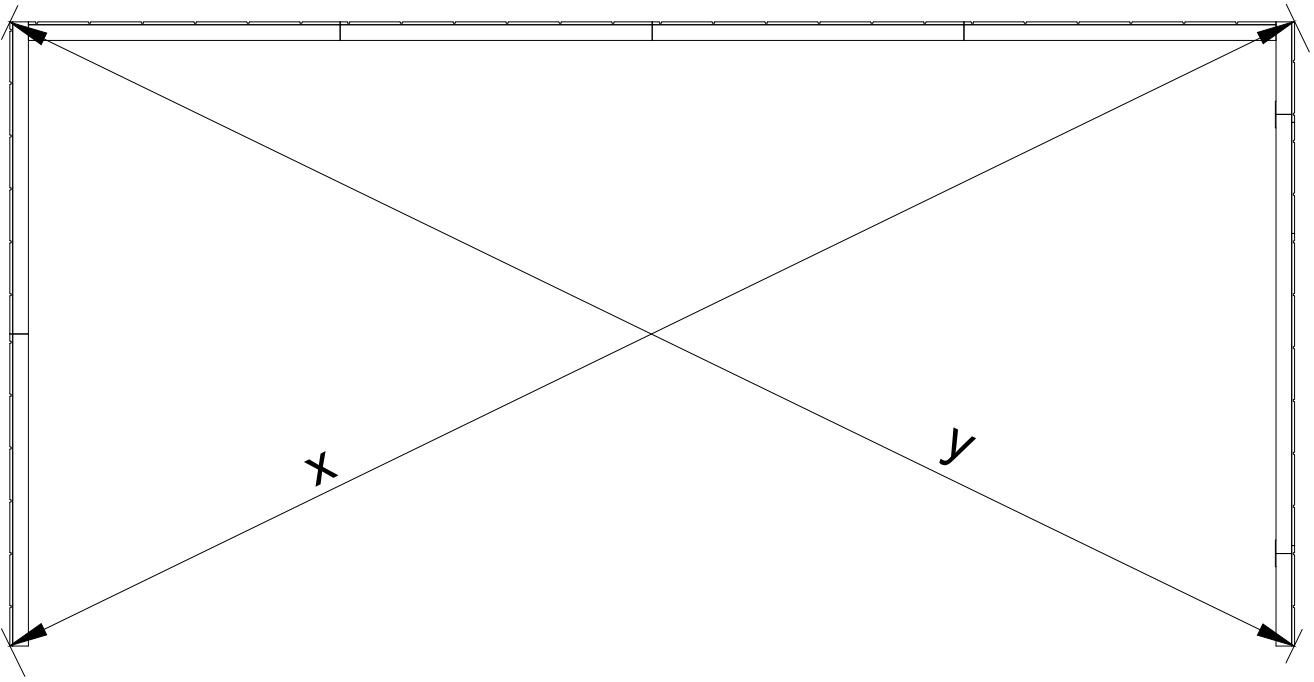


A x12

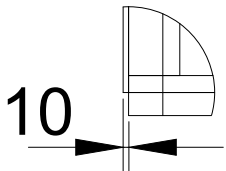


5

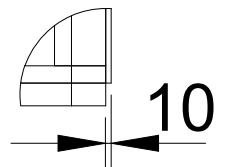
$$x = y$$



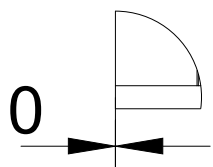
Det A



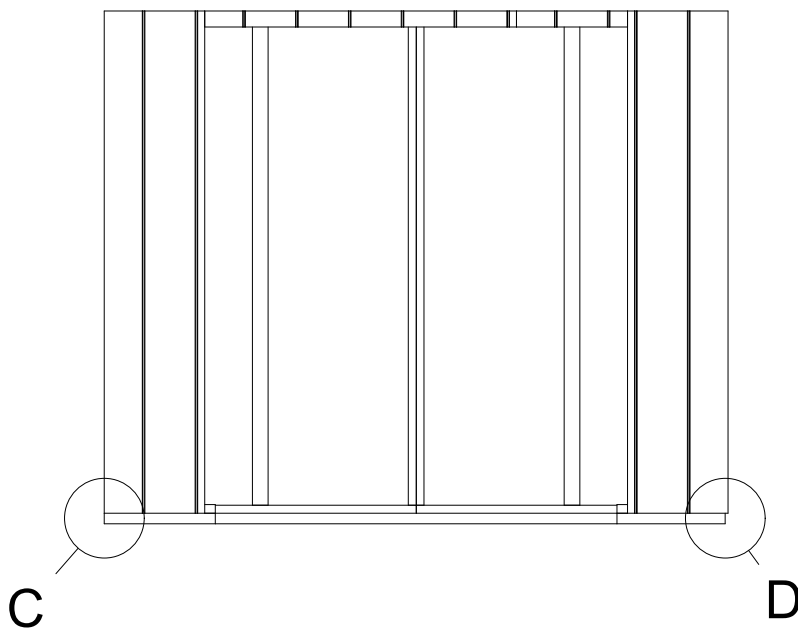
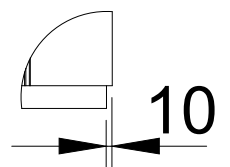
Det B



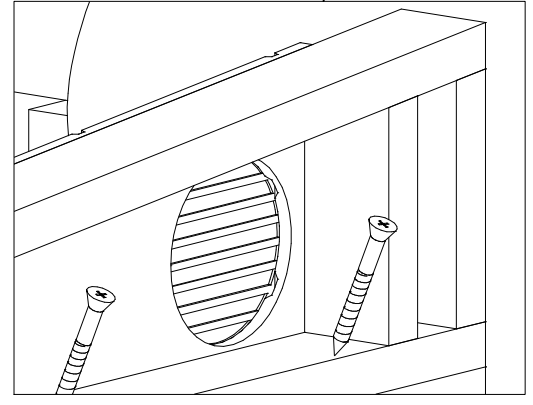
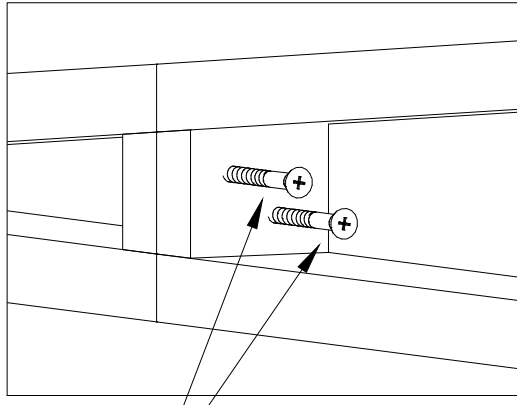
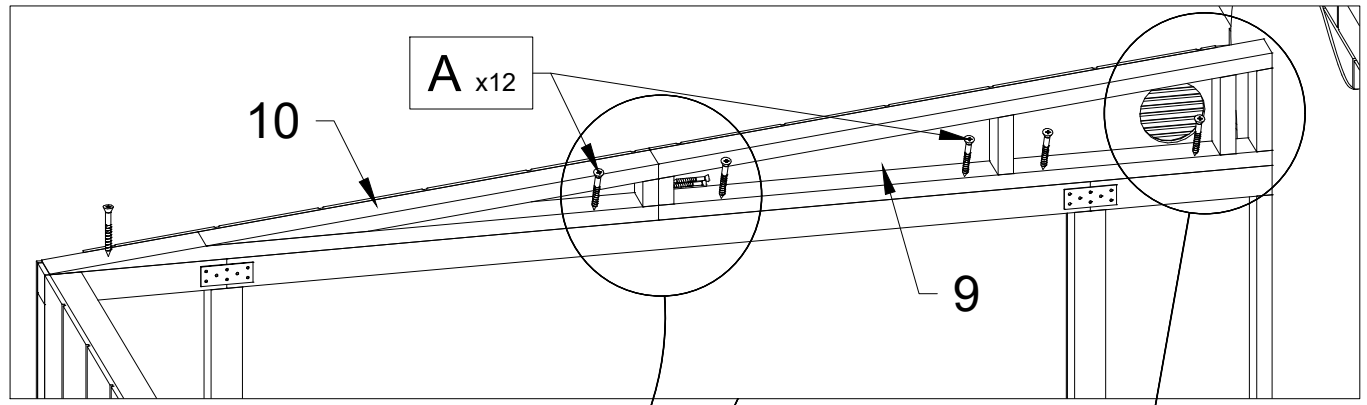
Det C



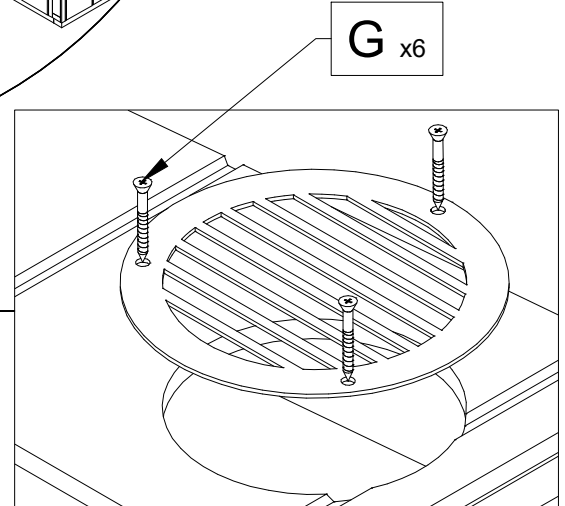
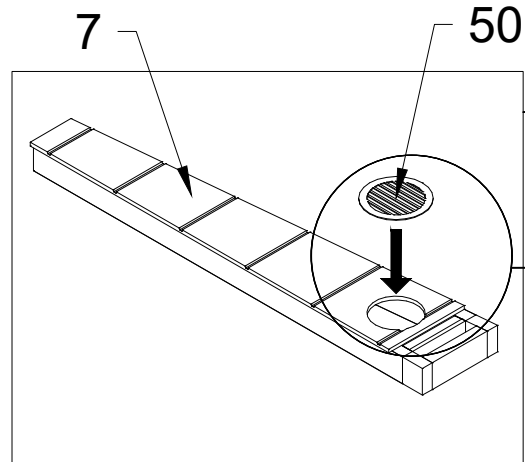
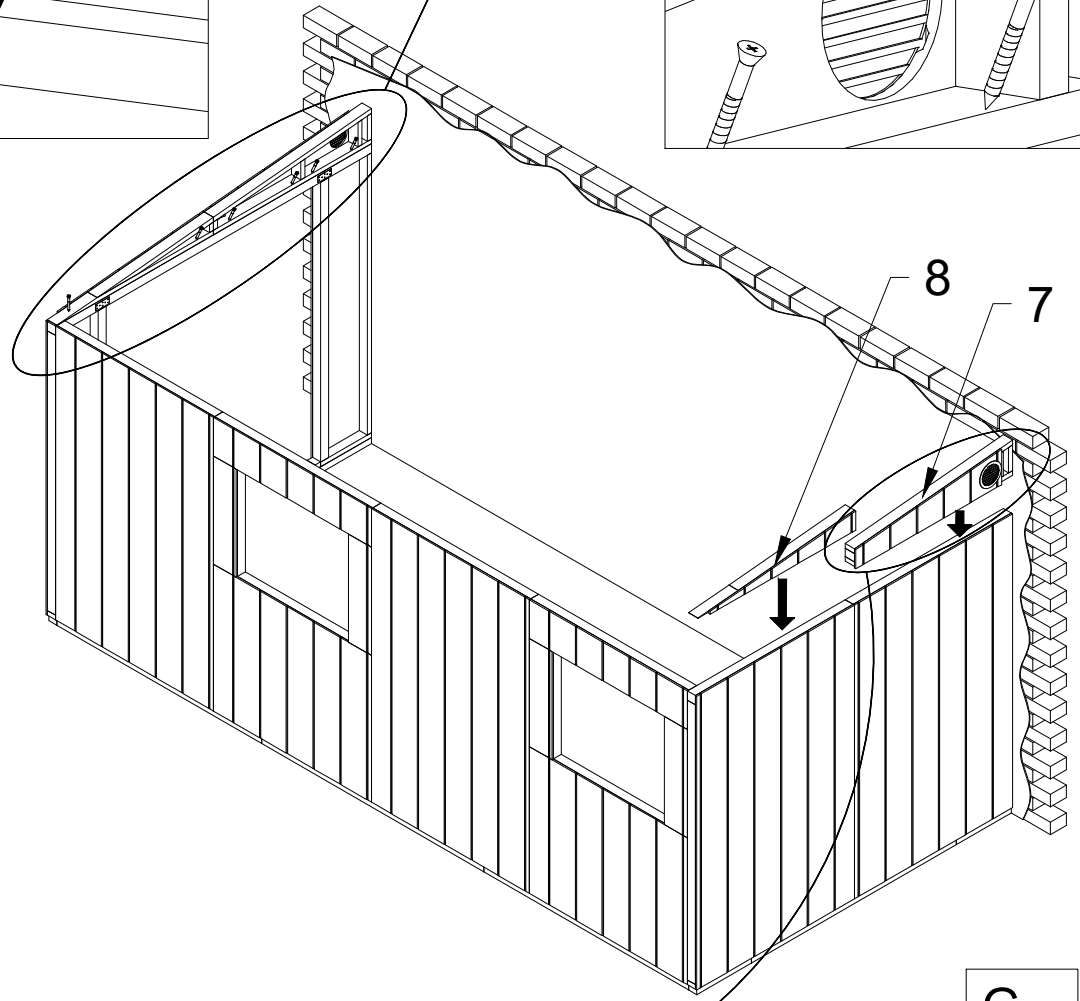
Det D



6

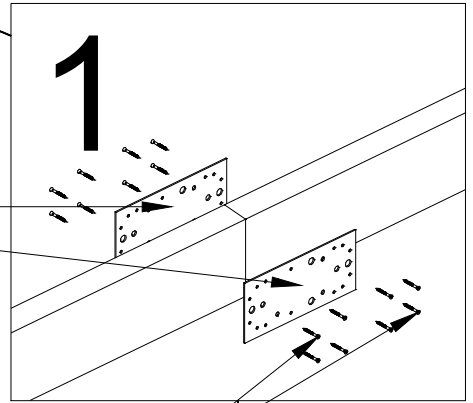
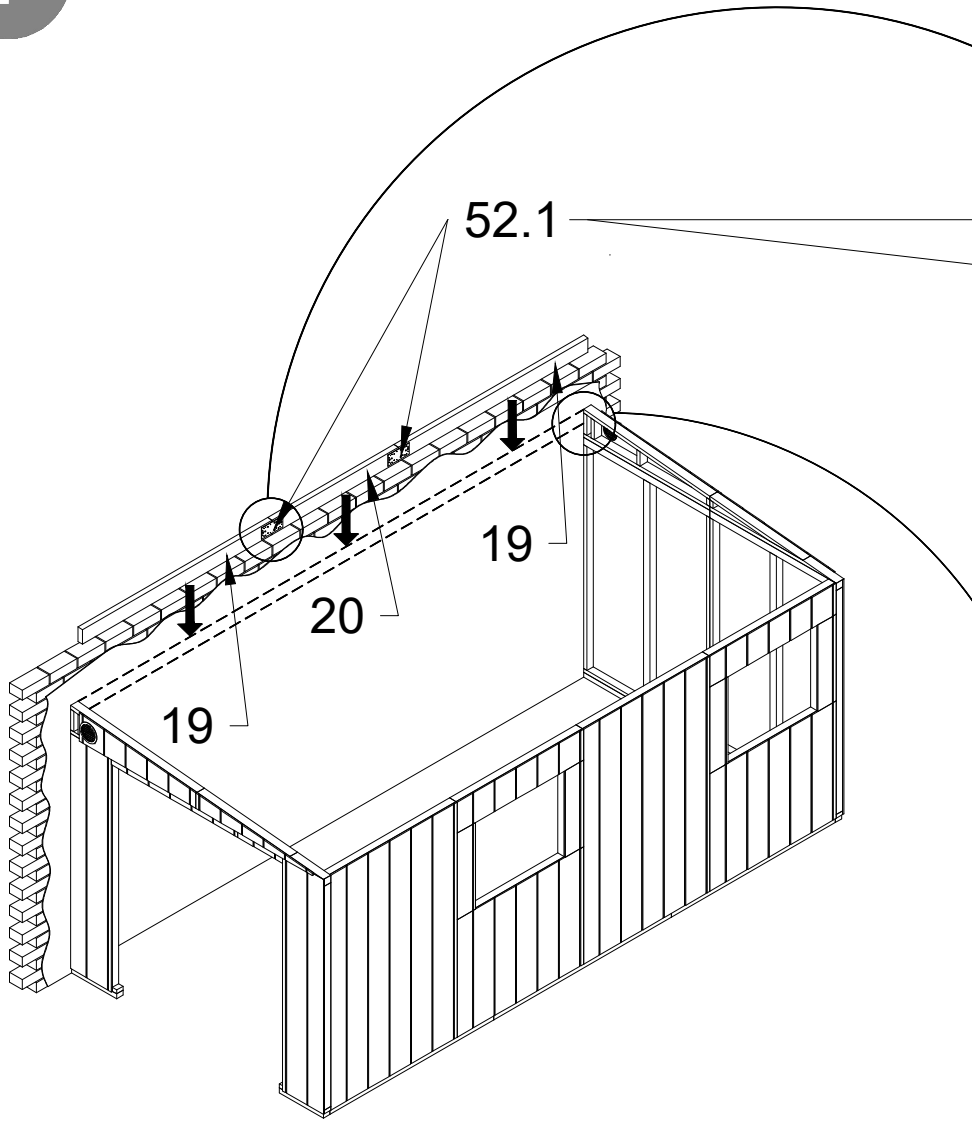


C x4

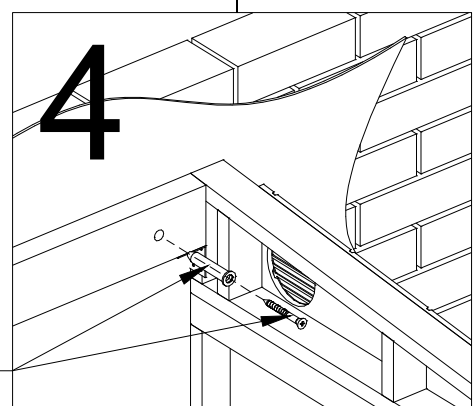
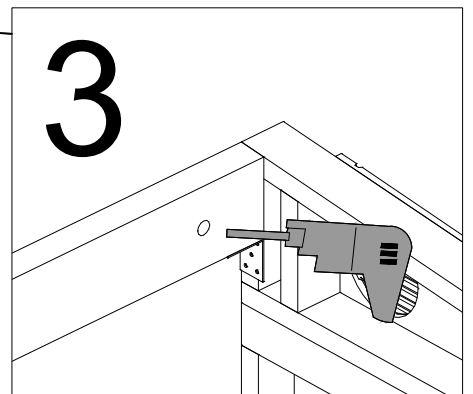
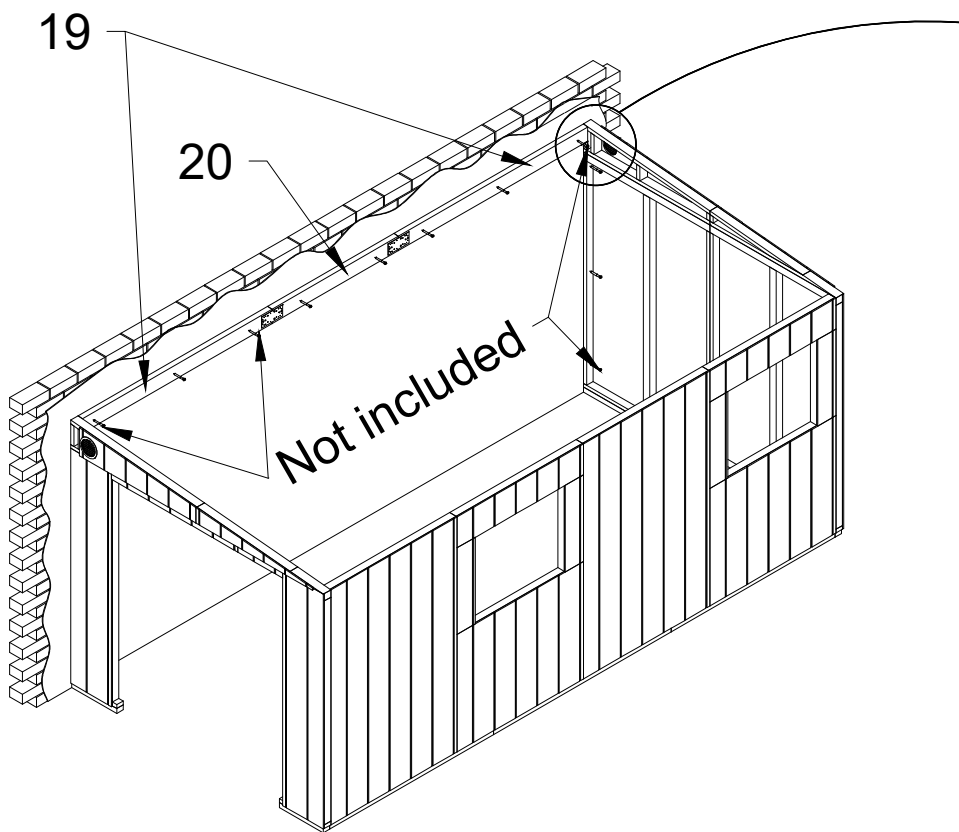
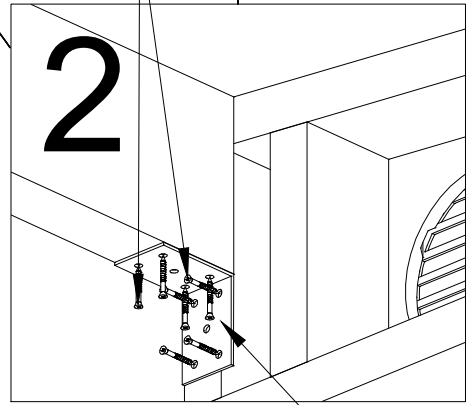


G x6

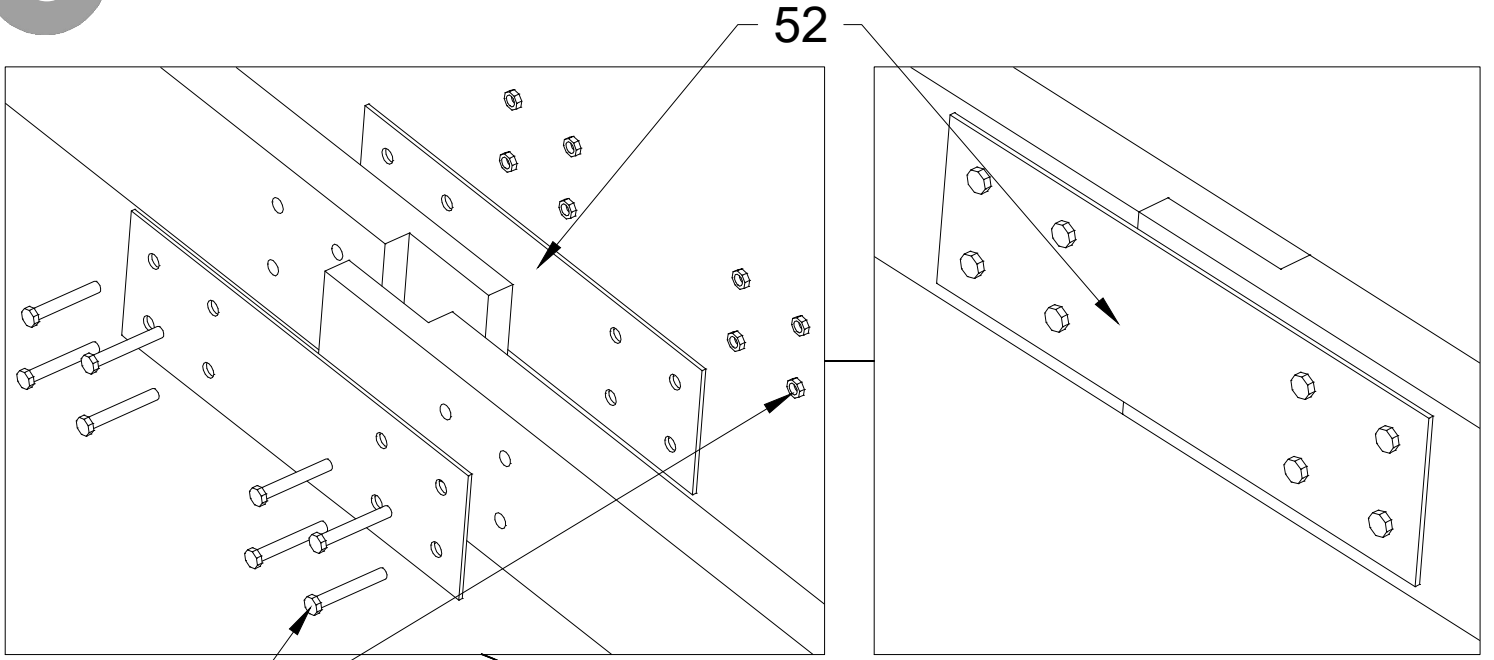
7



E x48



8



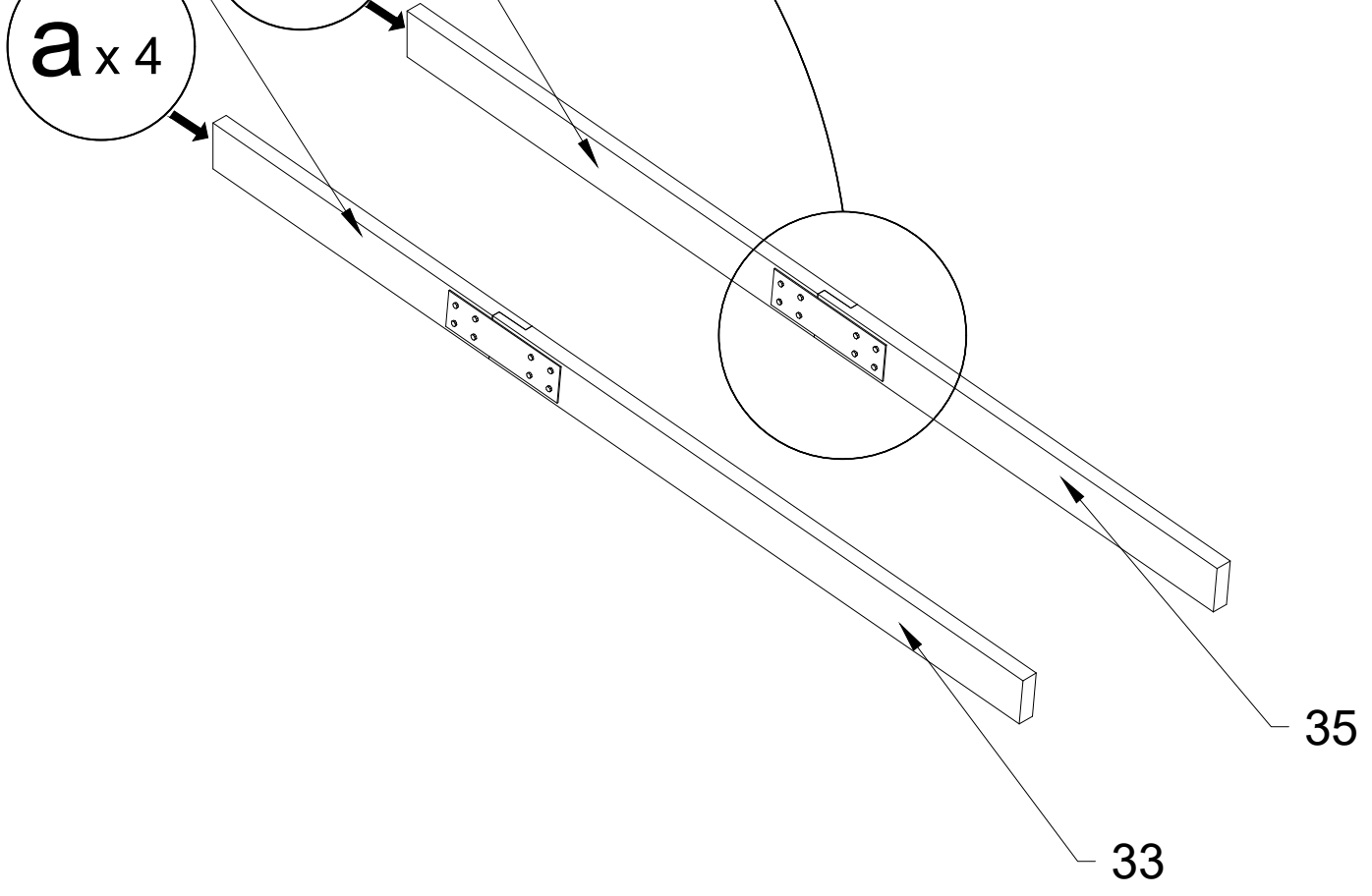
H x72

34

36

b x 5

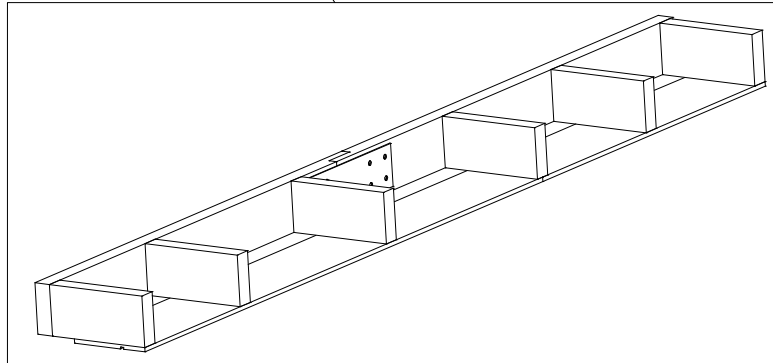
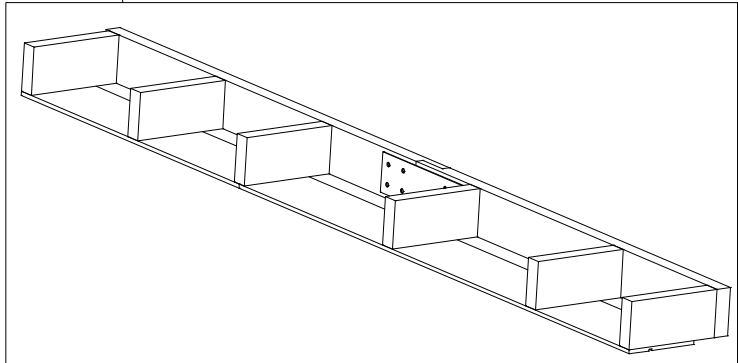
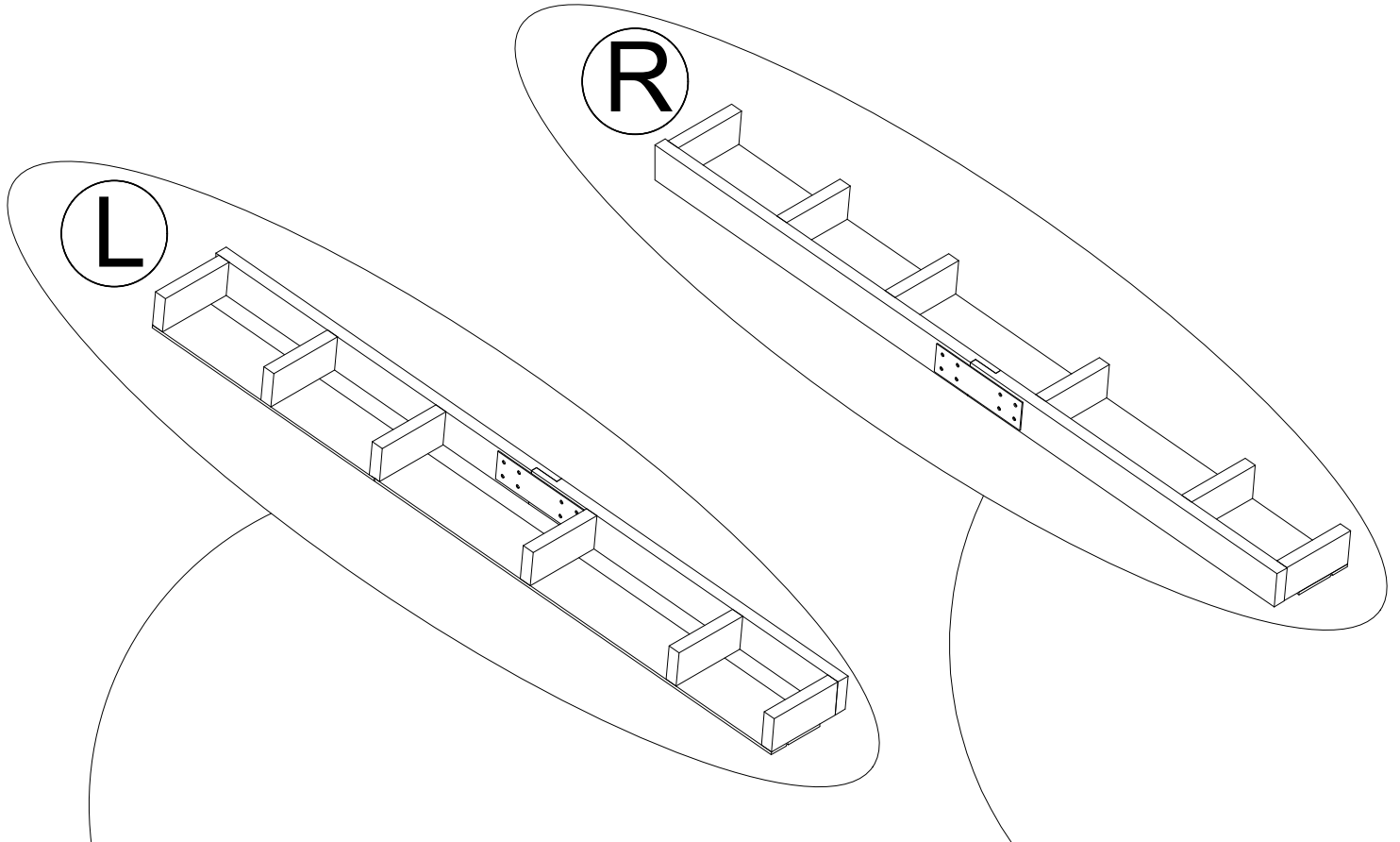
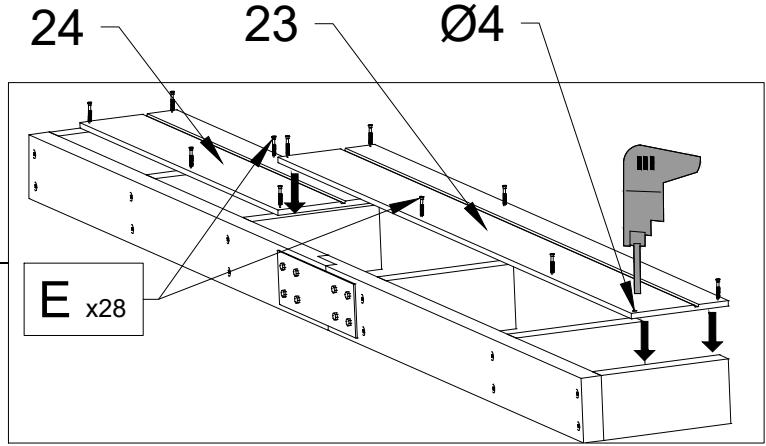
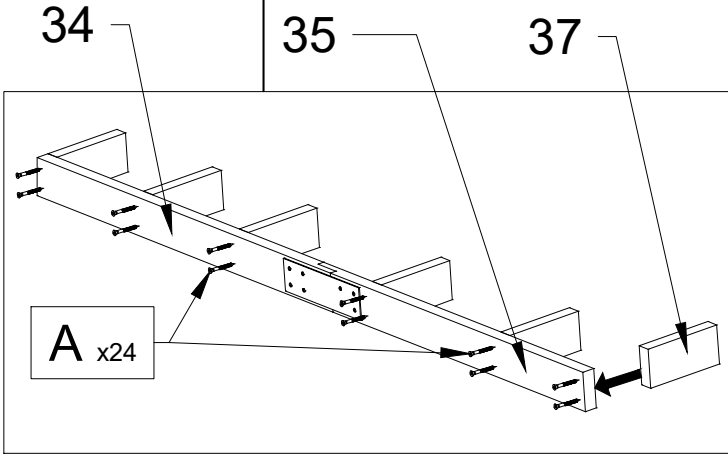
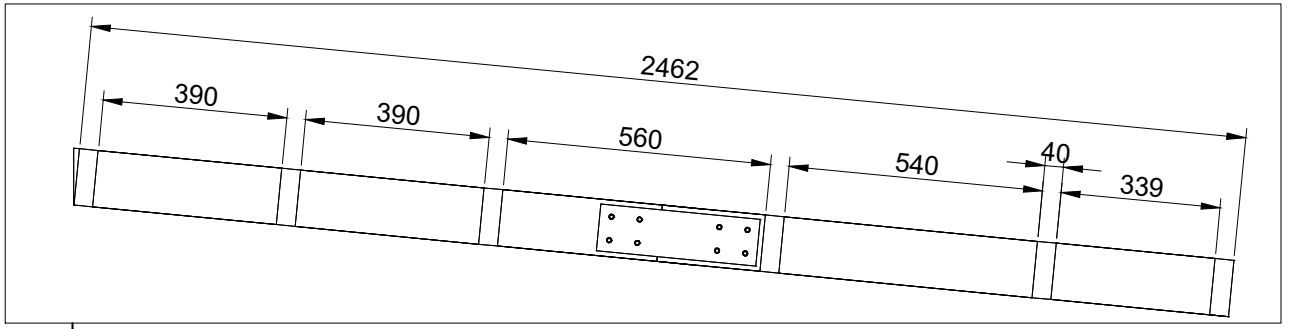
a x 4



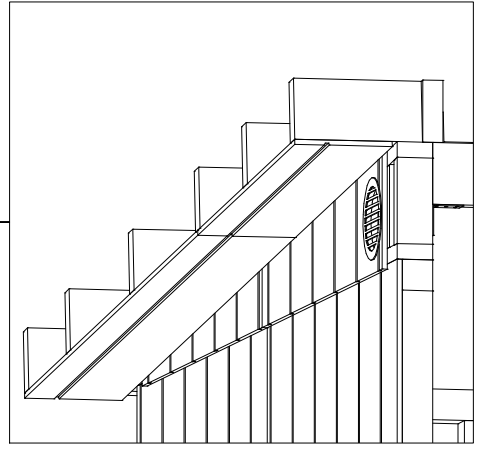
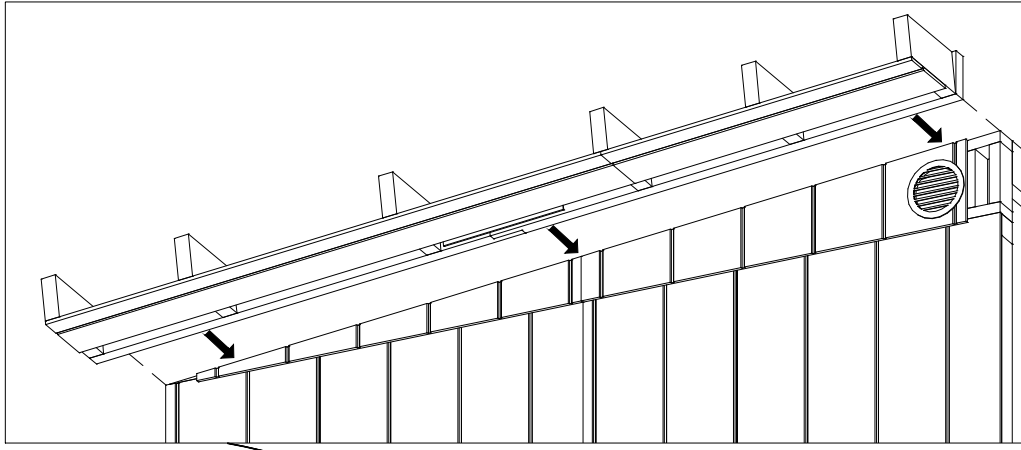
35

33

9

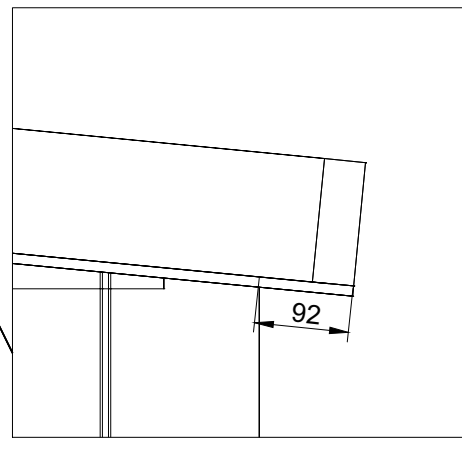
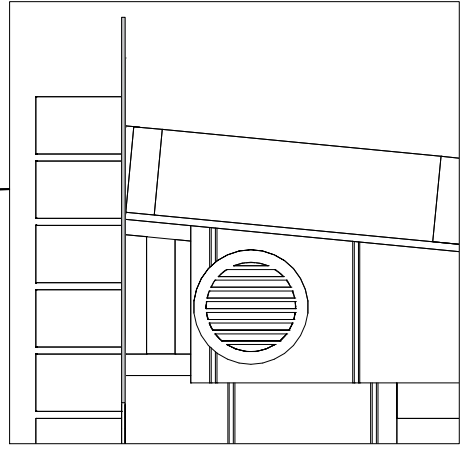
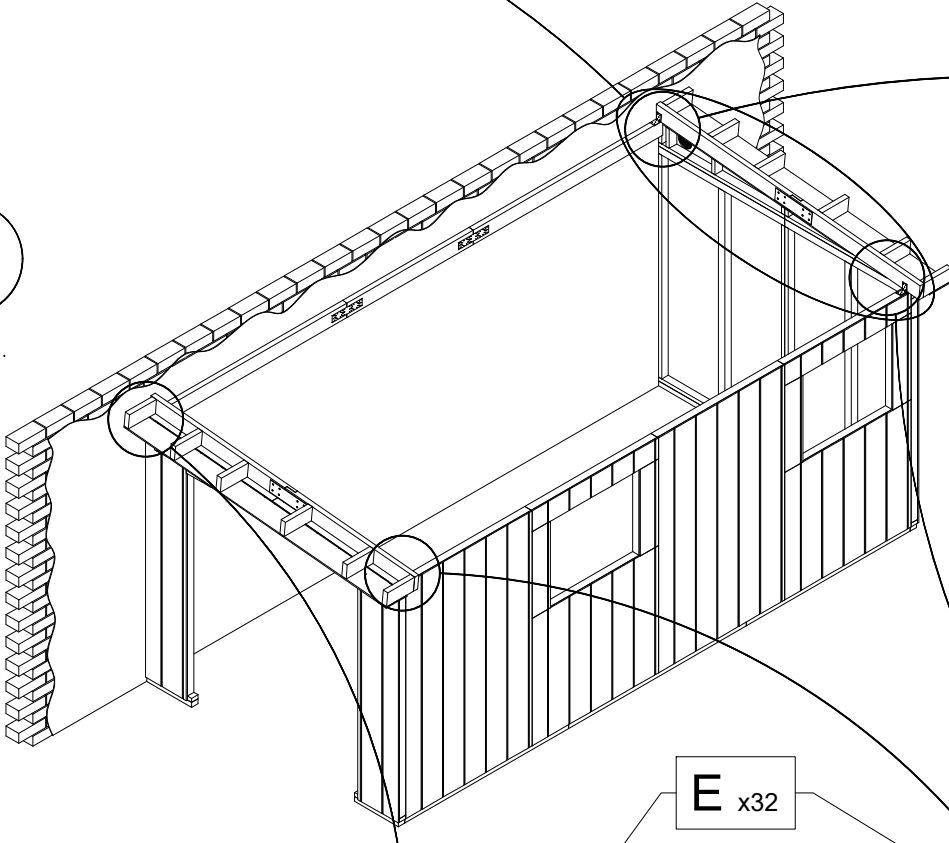


10

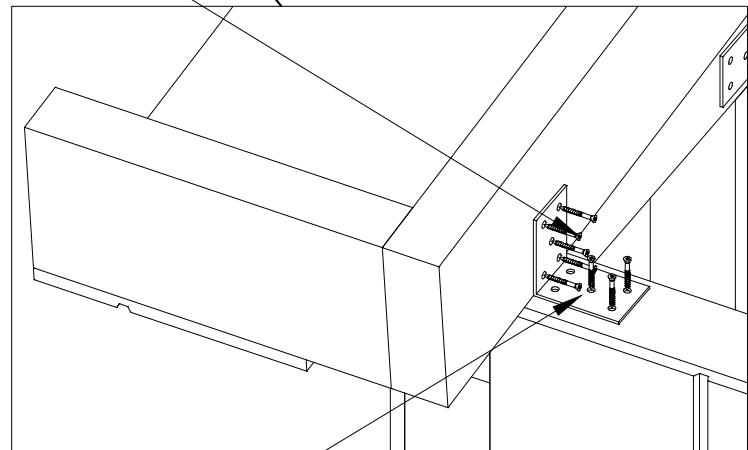
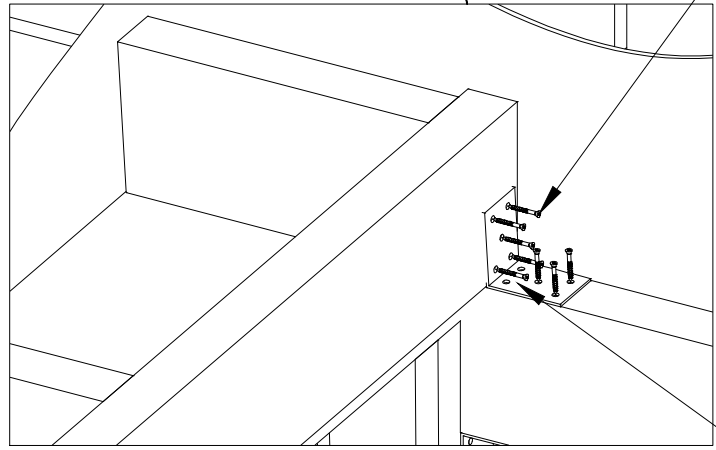


L

R

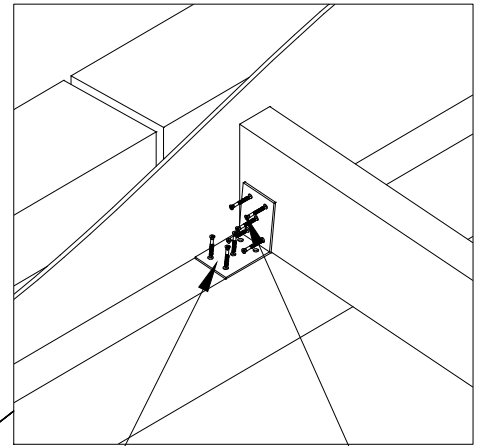
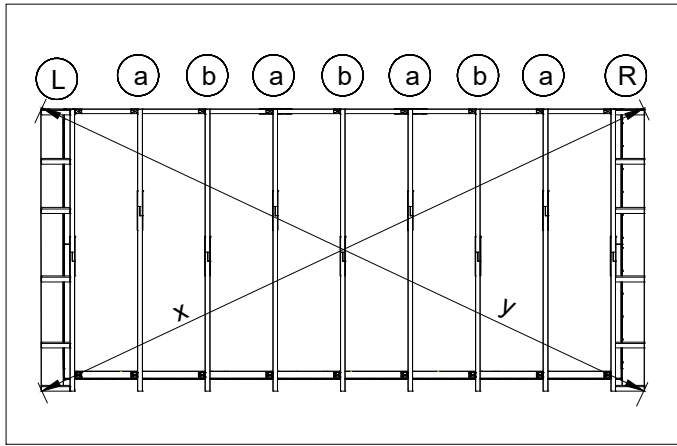


E x32



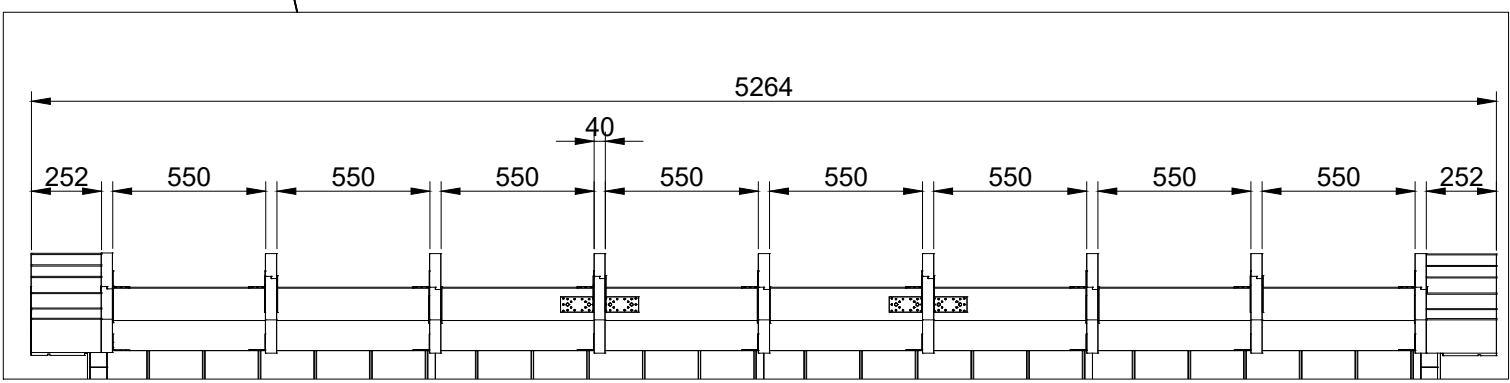
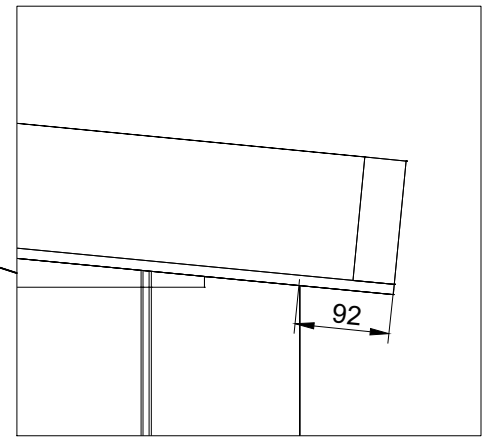
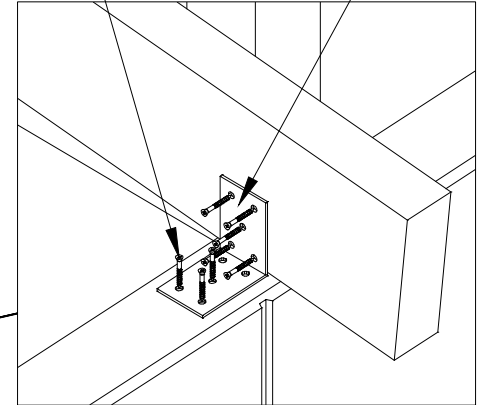
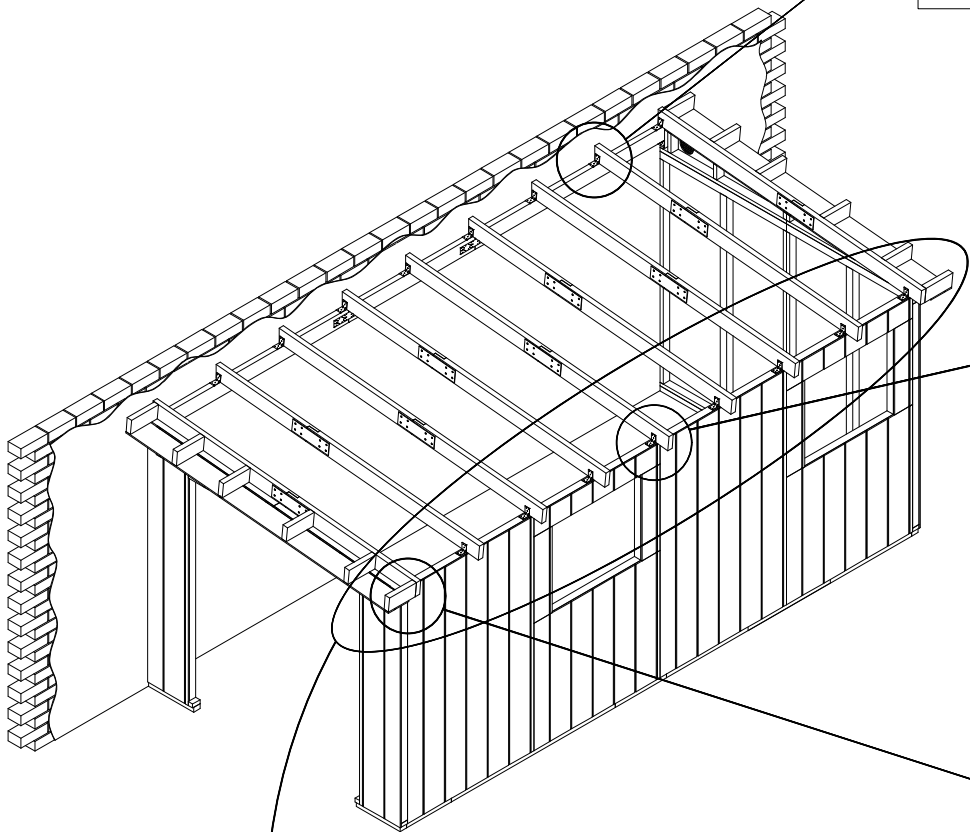
53

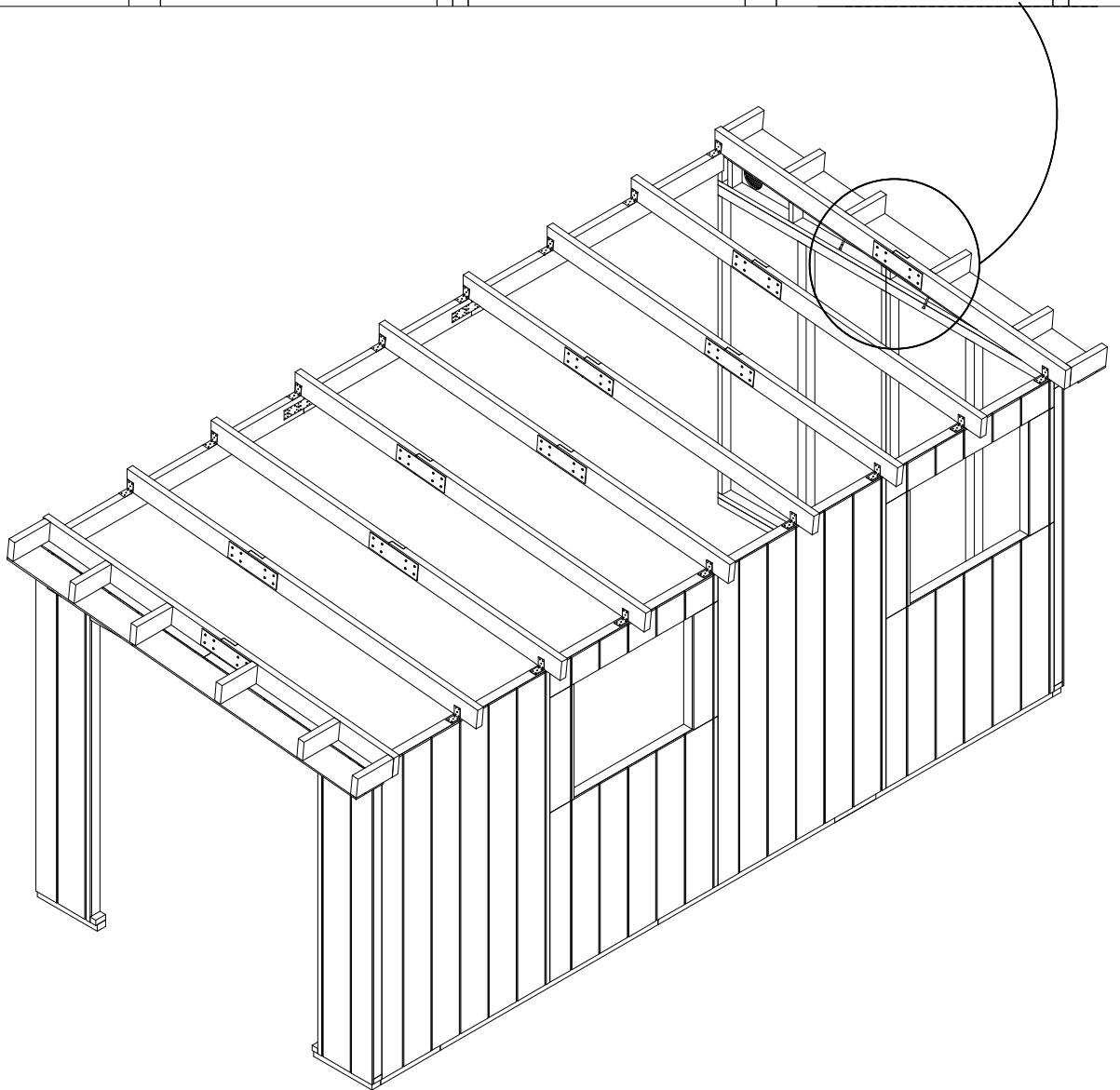
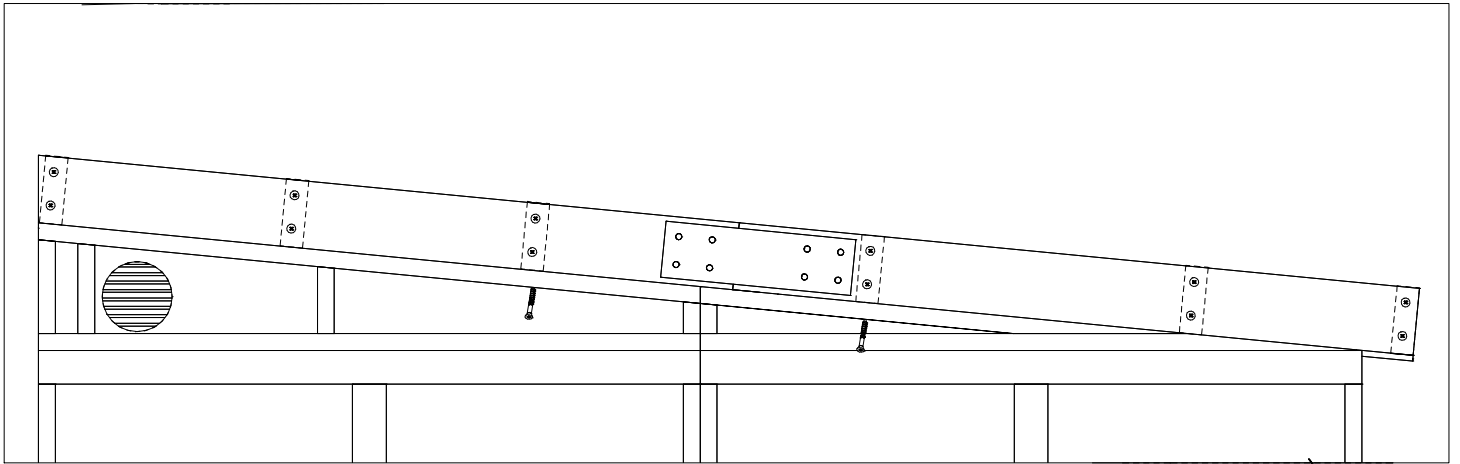
$x = y$

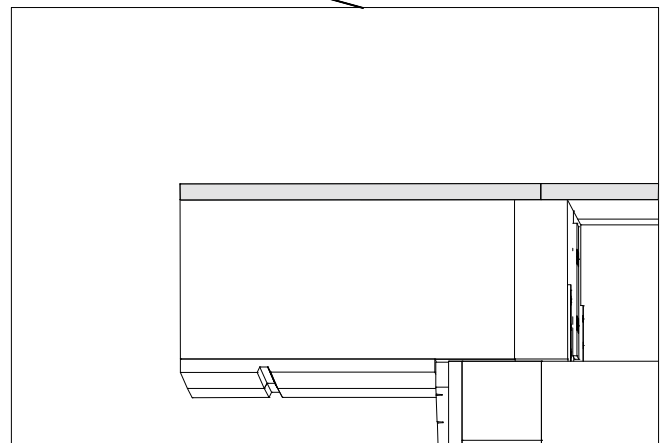
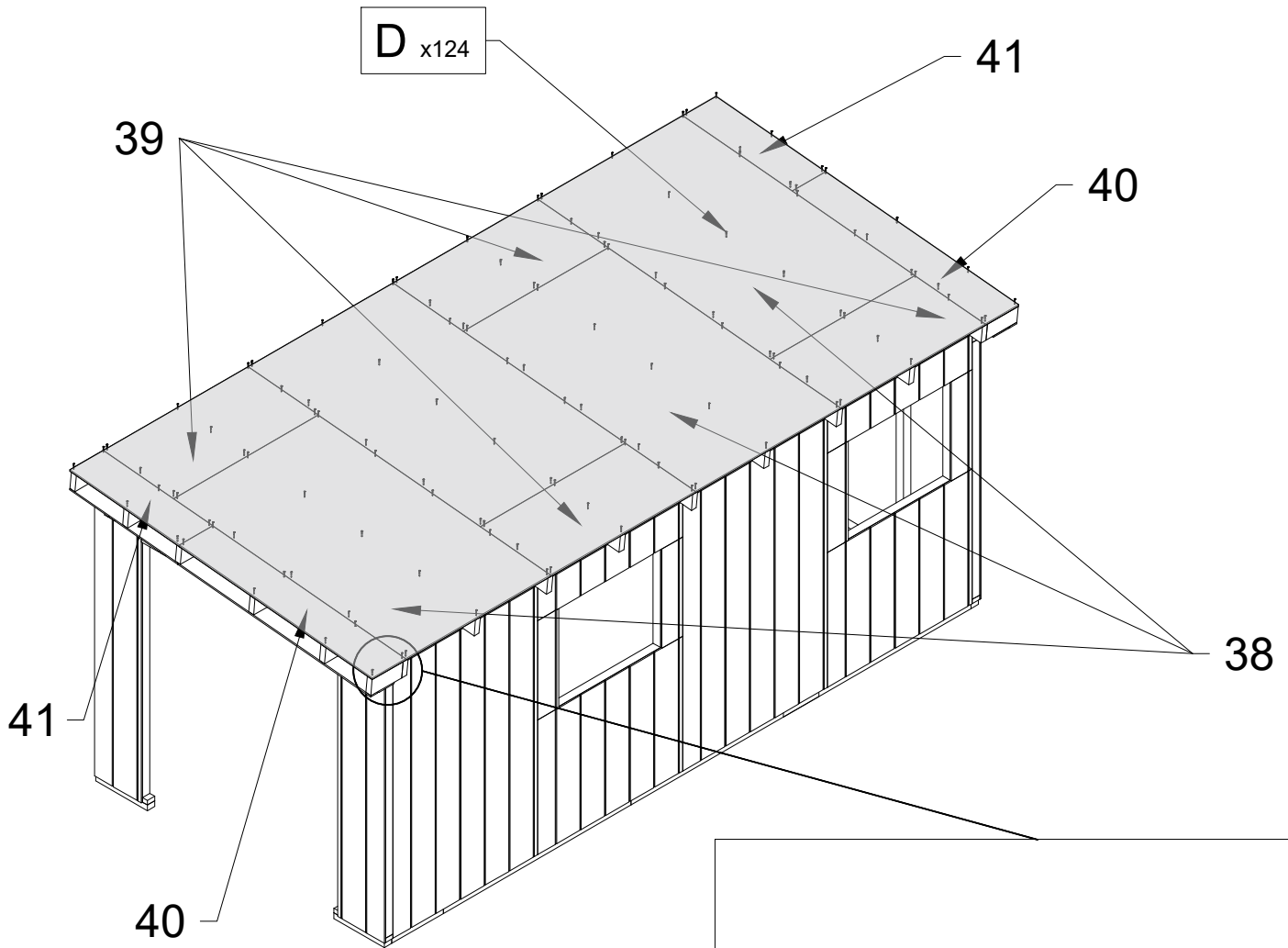
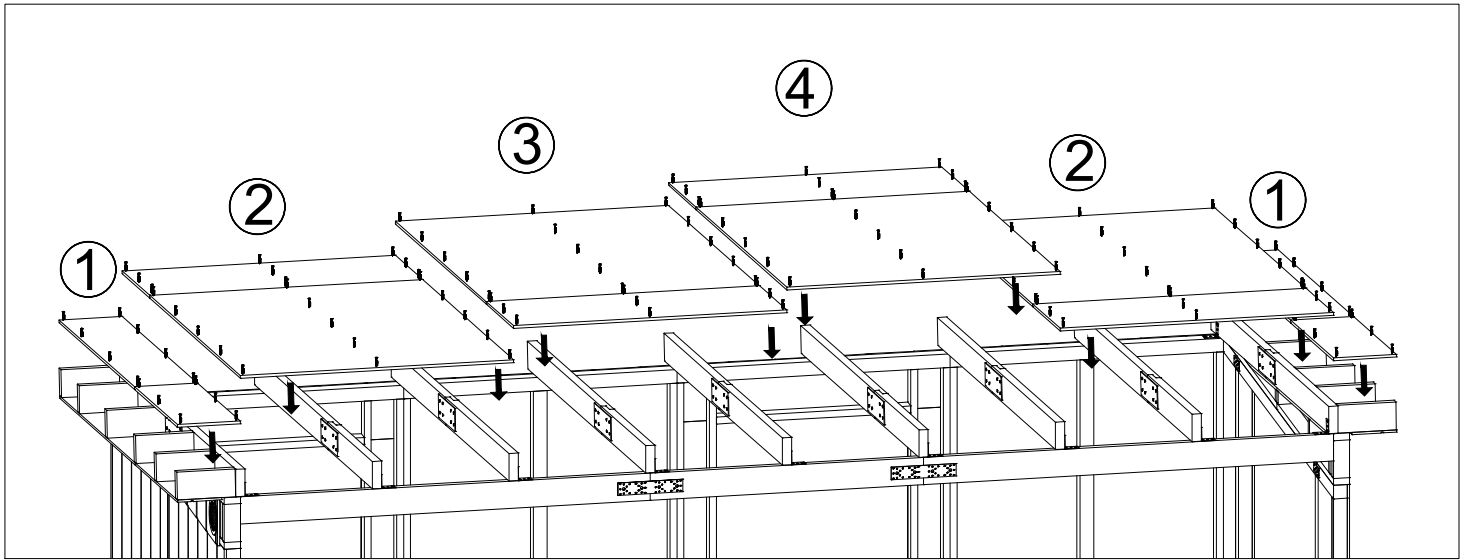


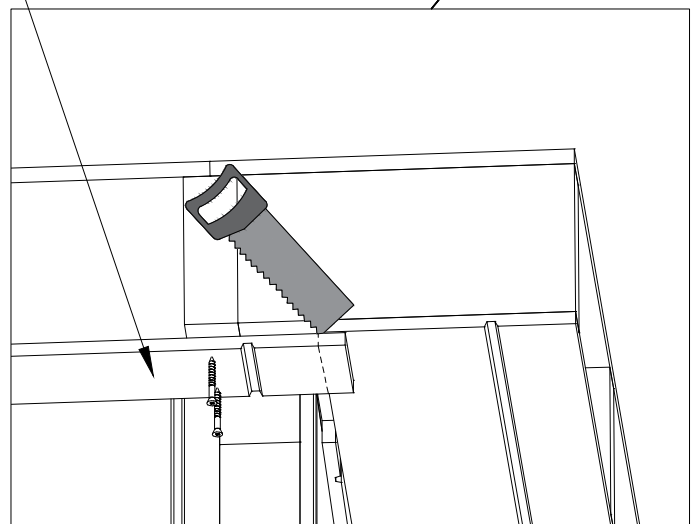
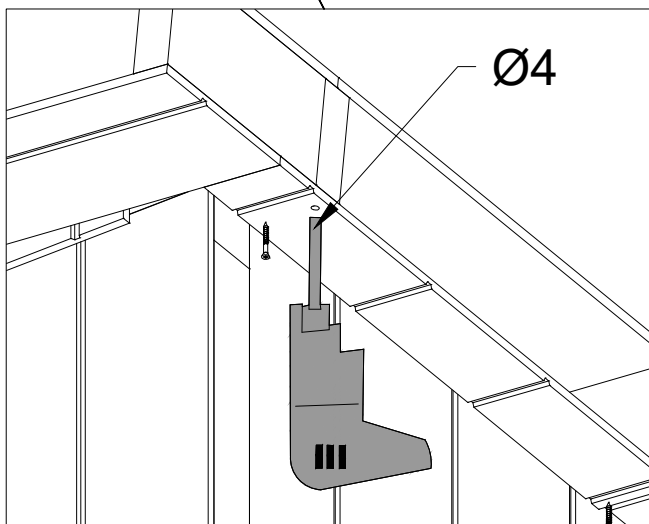
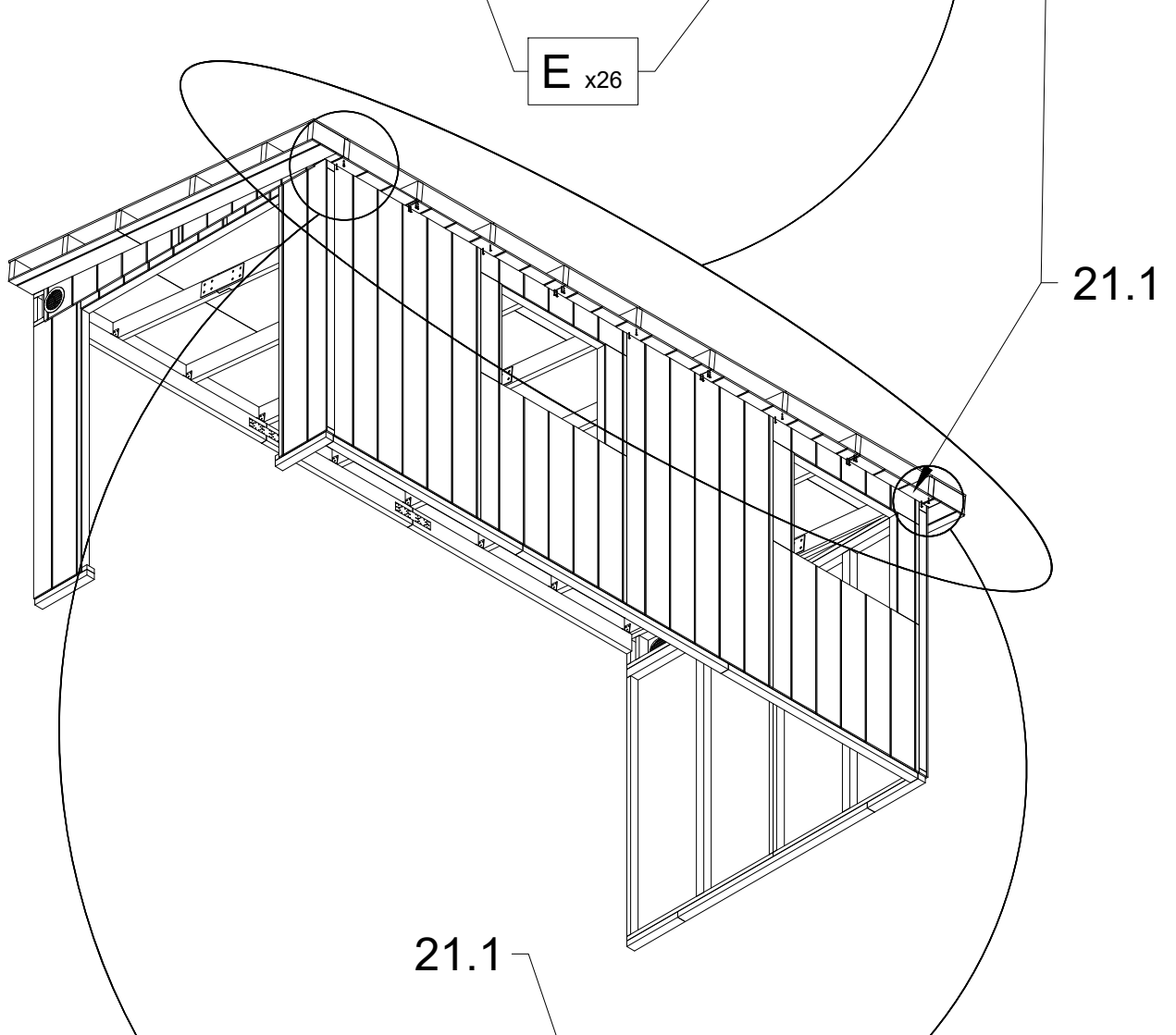
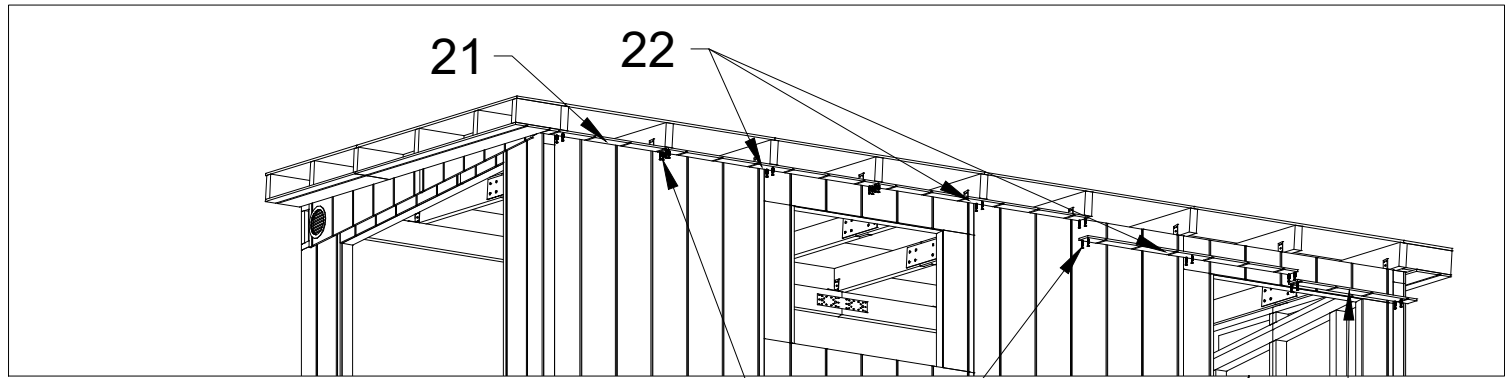
E x112

53

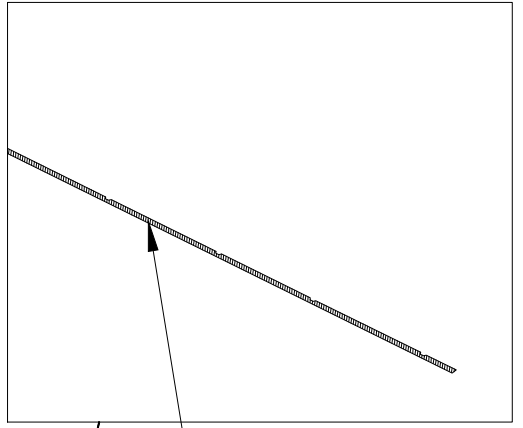
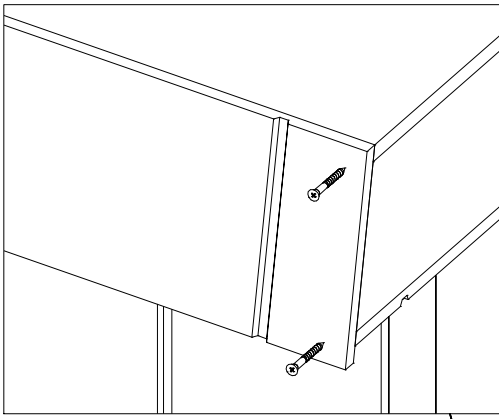








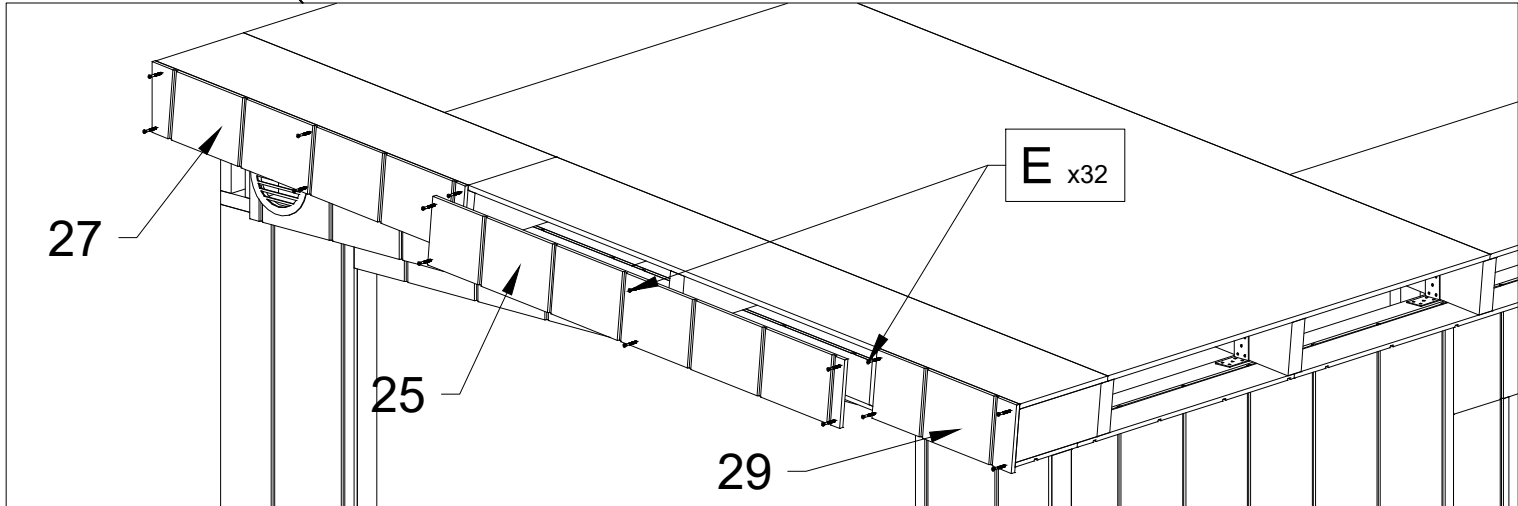
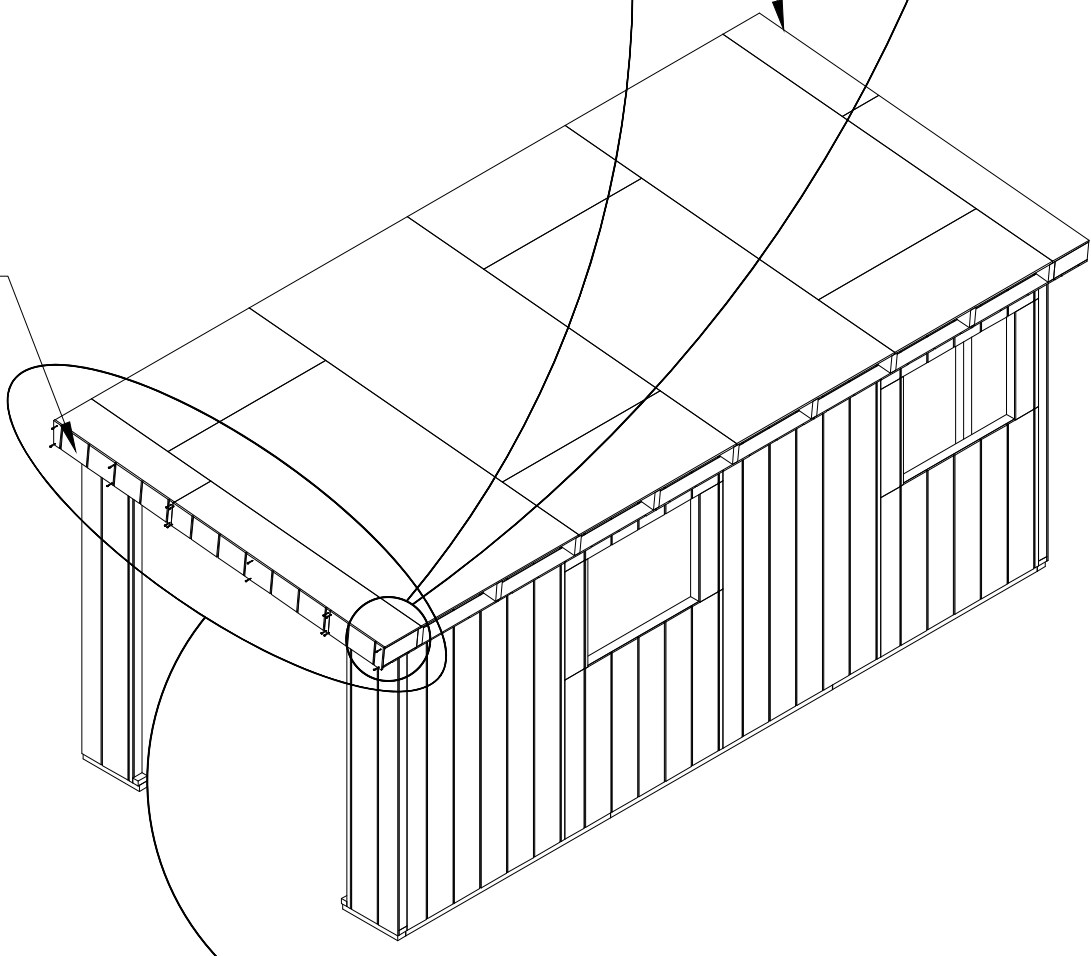
15



Paint

26

27

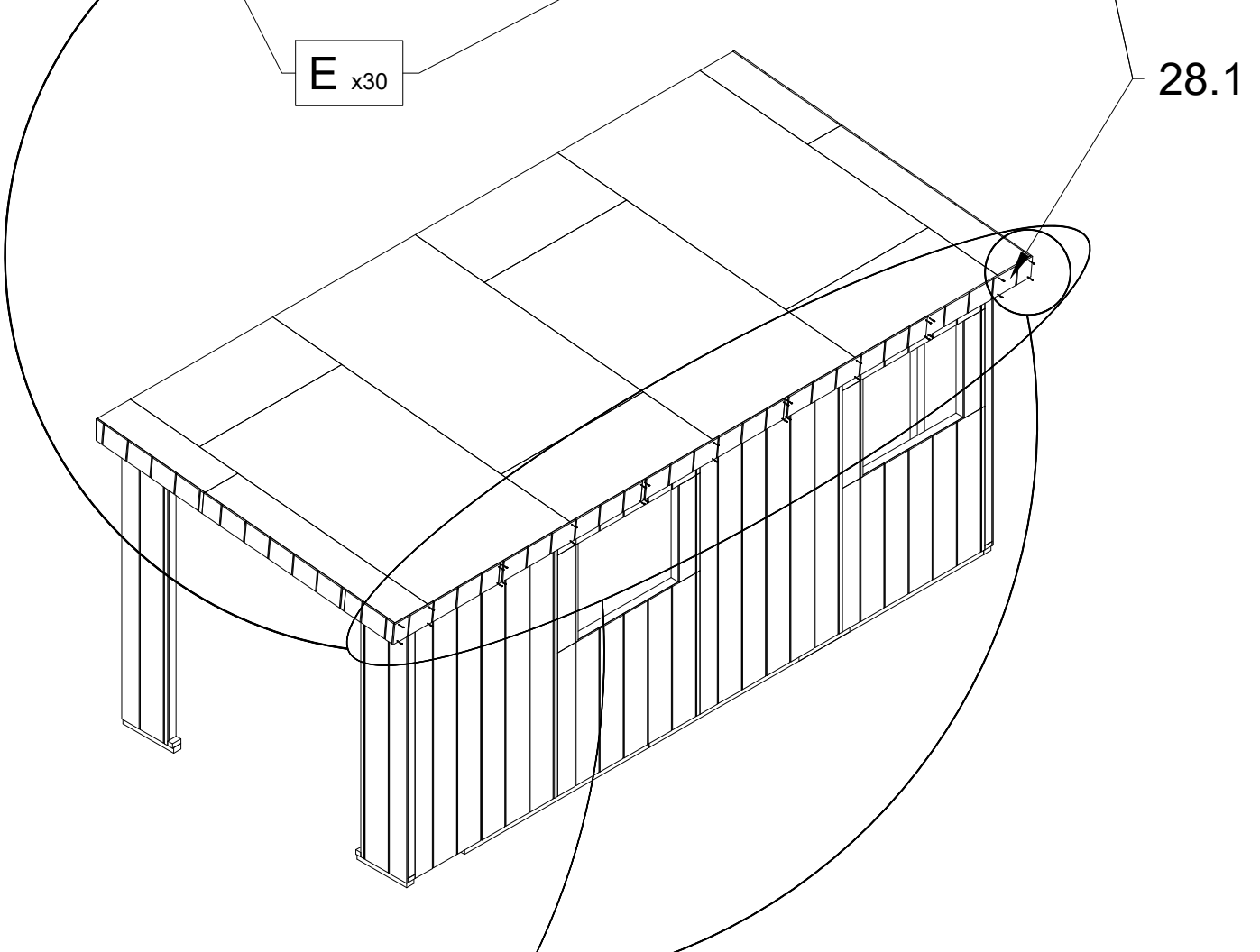
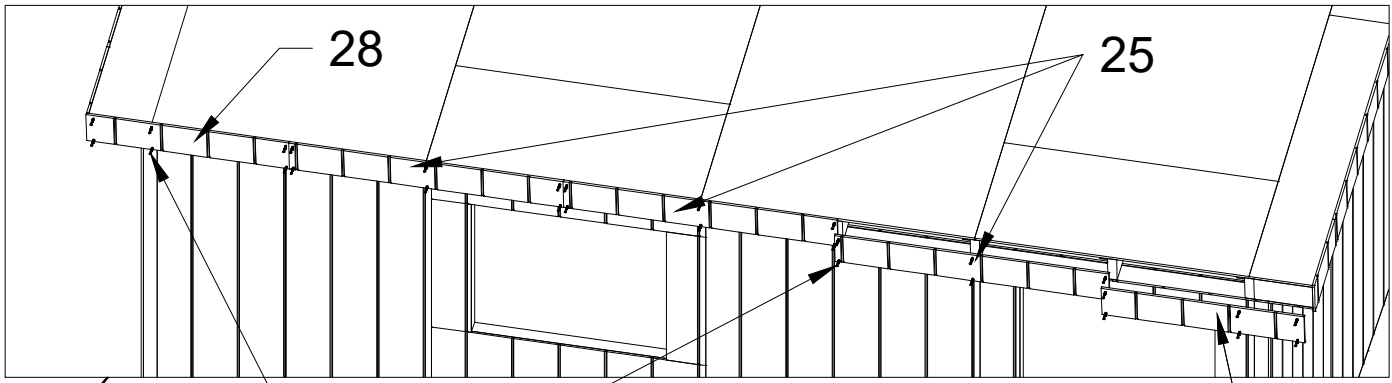


27

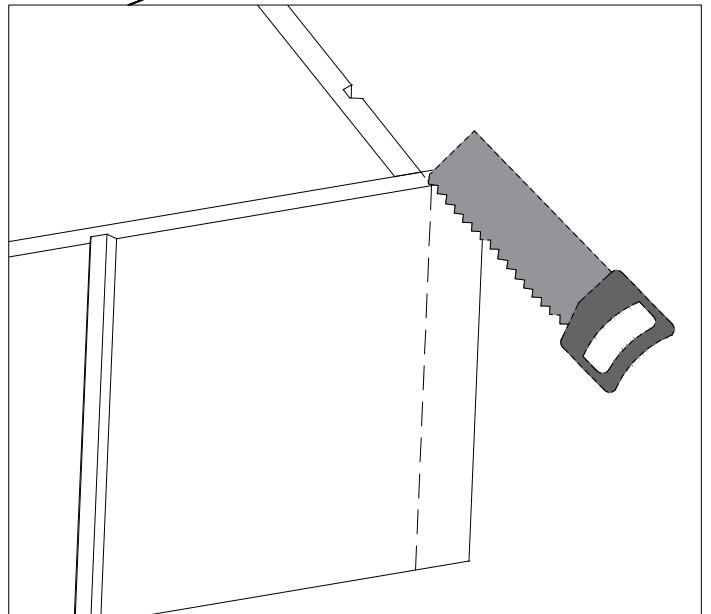
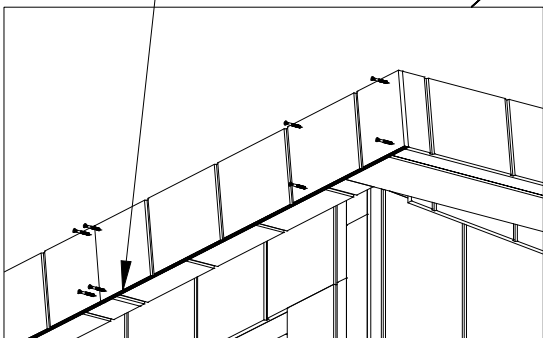
25

29

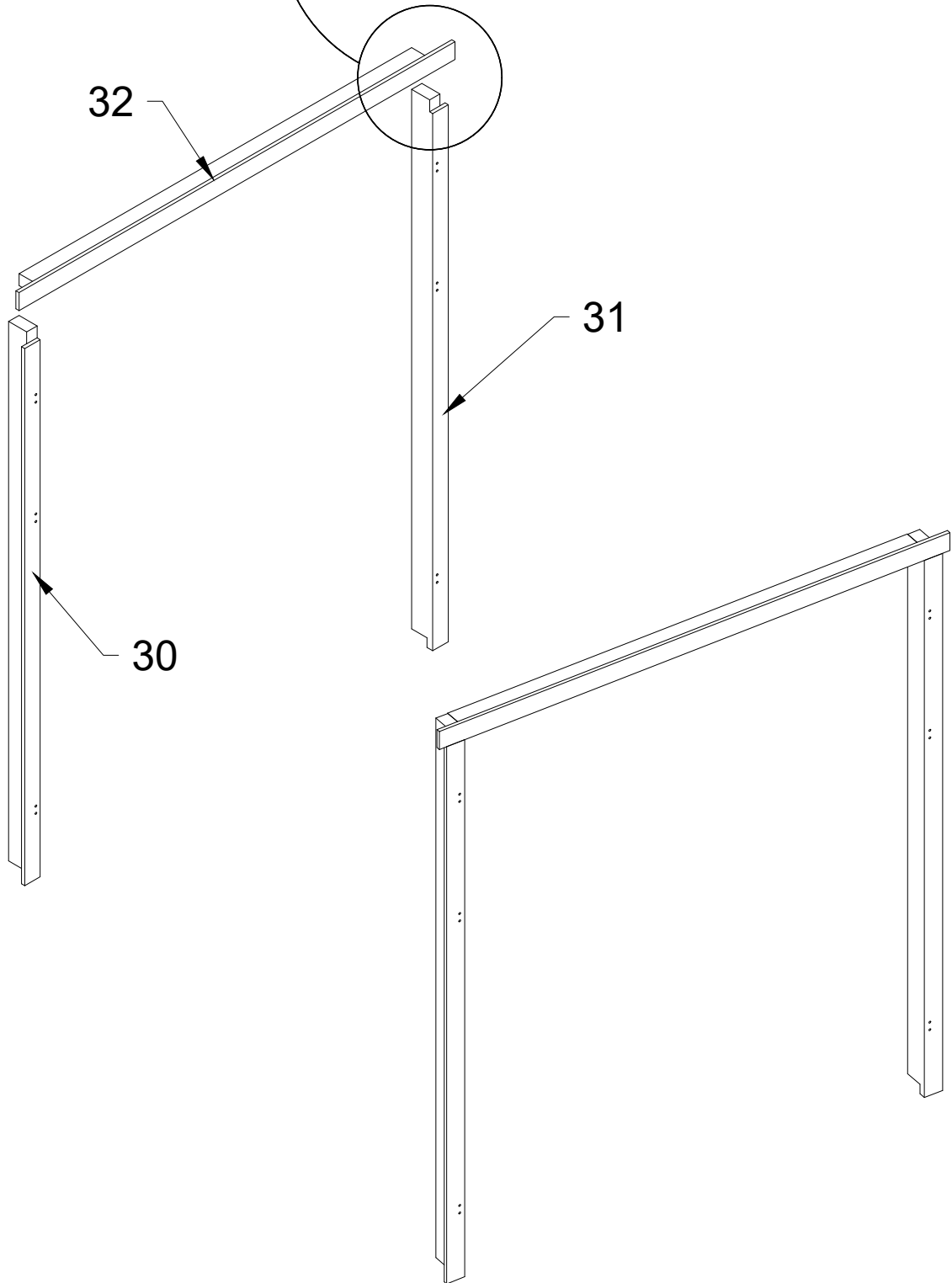
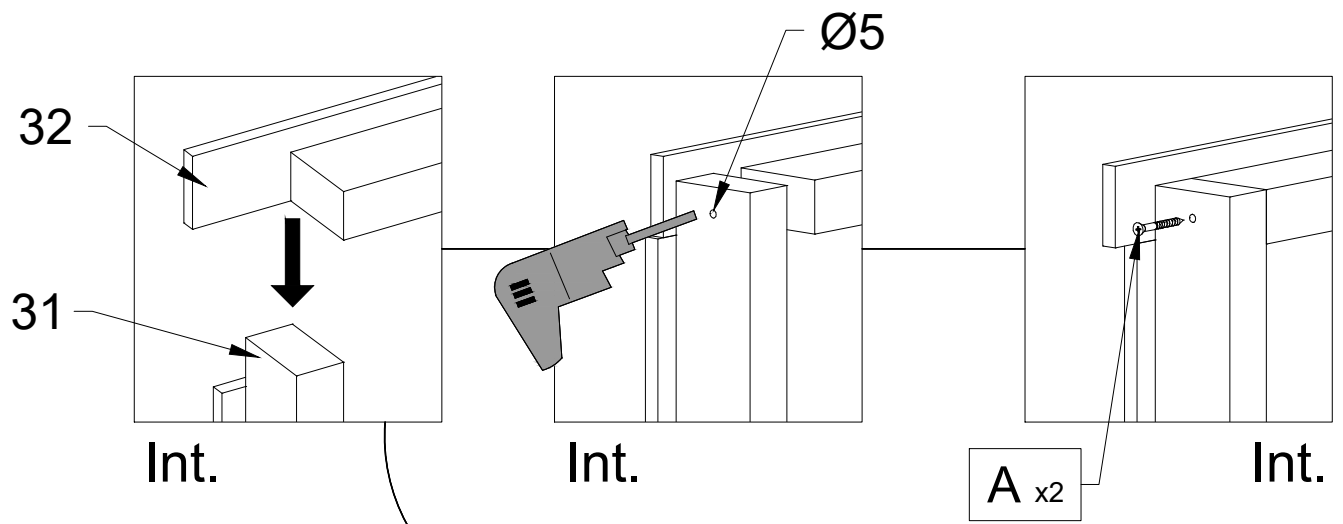
E x32

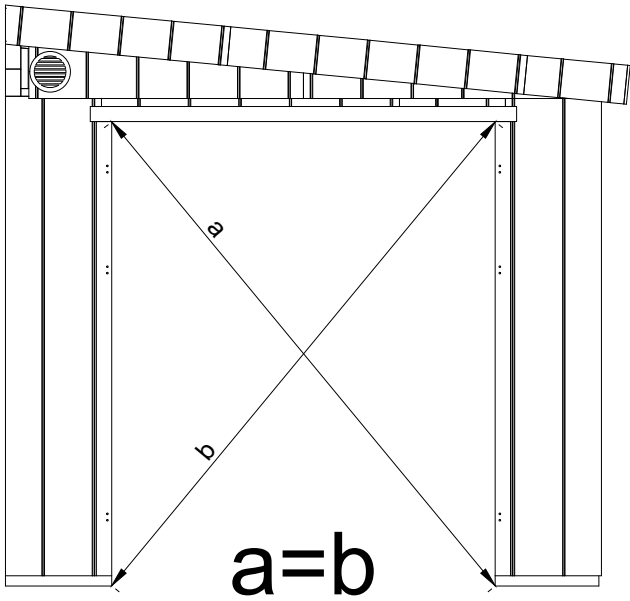


Paint

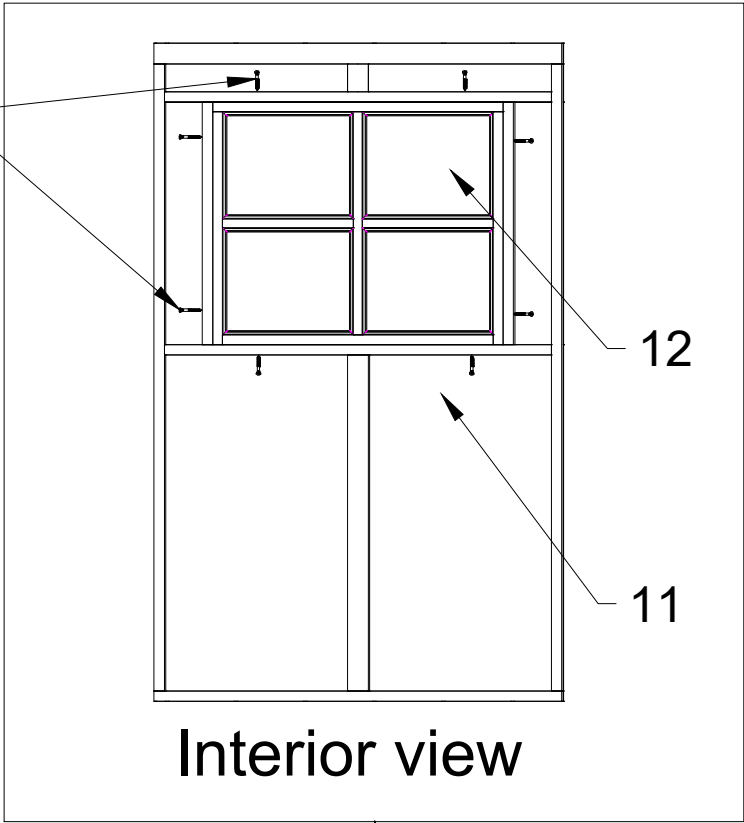


17

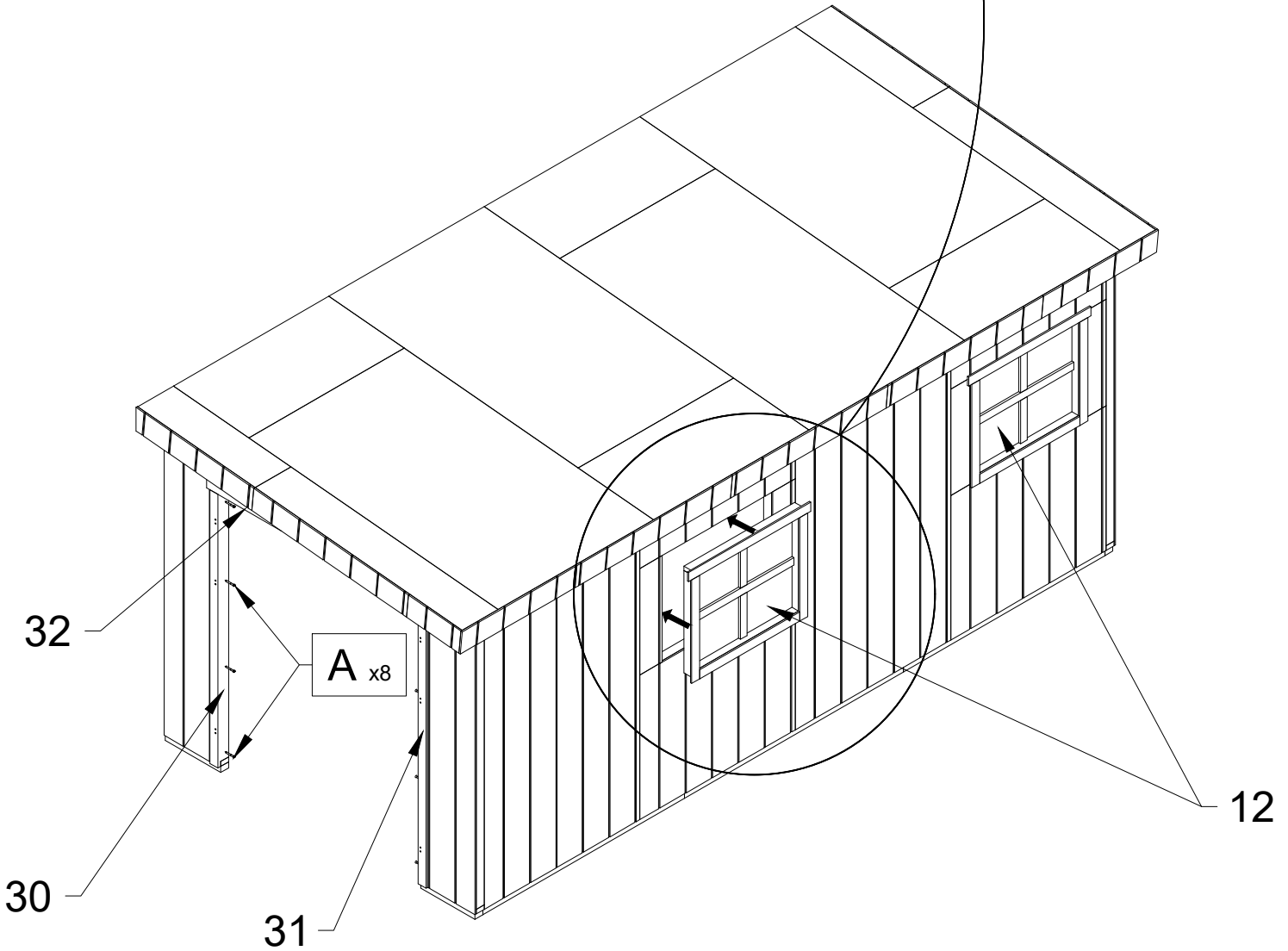




C x16



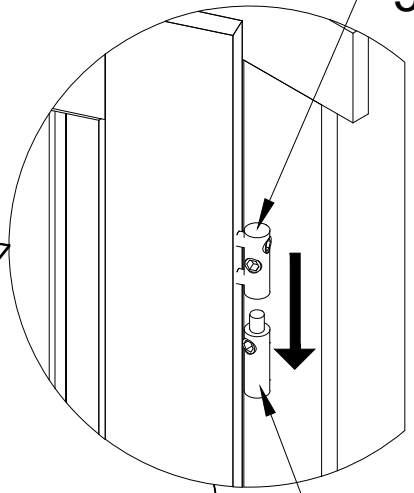
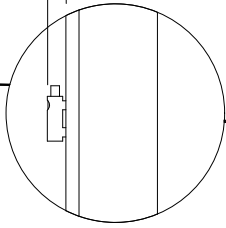
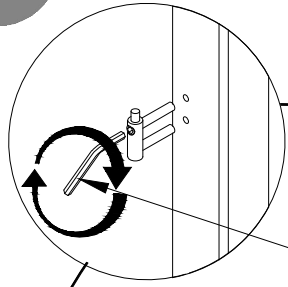
Interior view



19

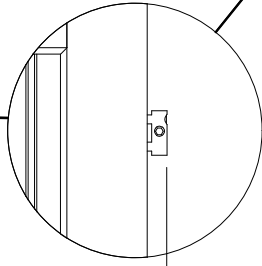
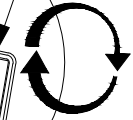
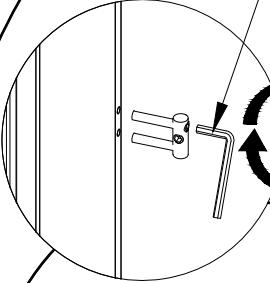
14-19mm

54



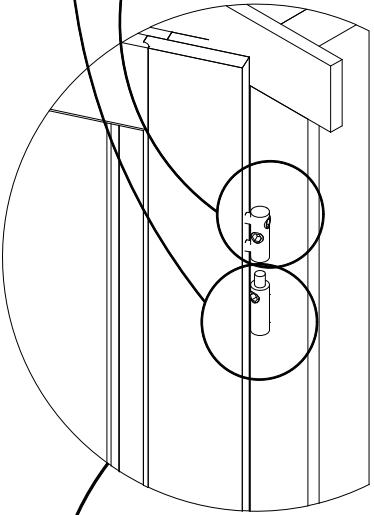
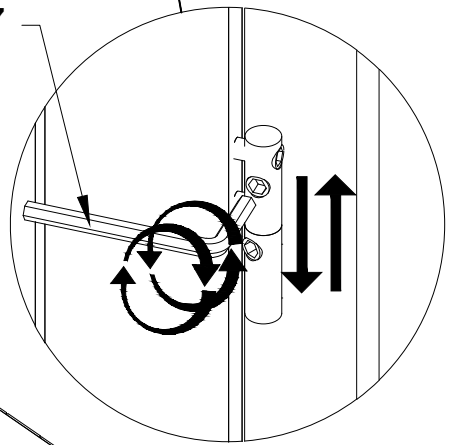
57

54.1



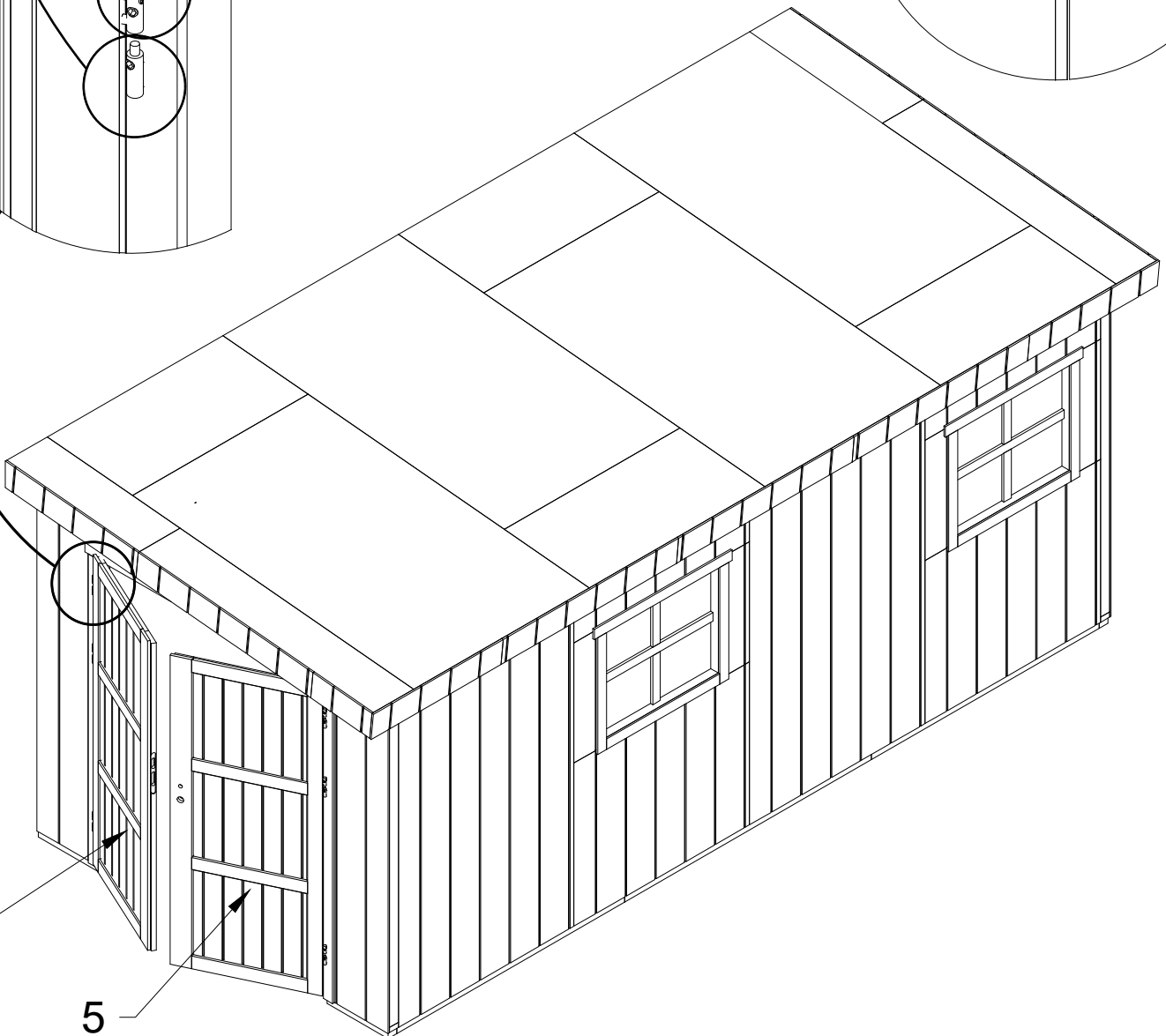
14-19mm

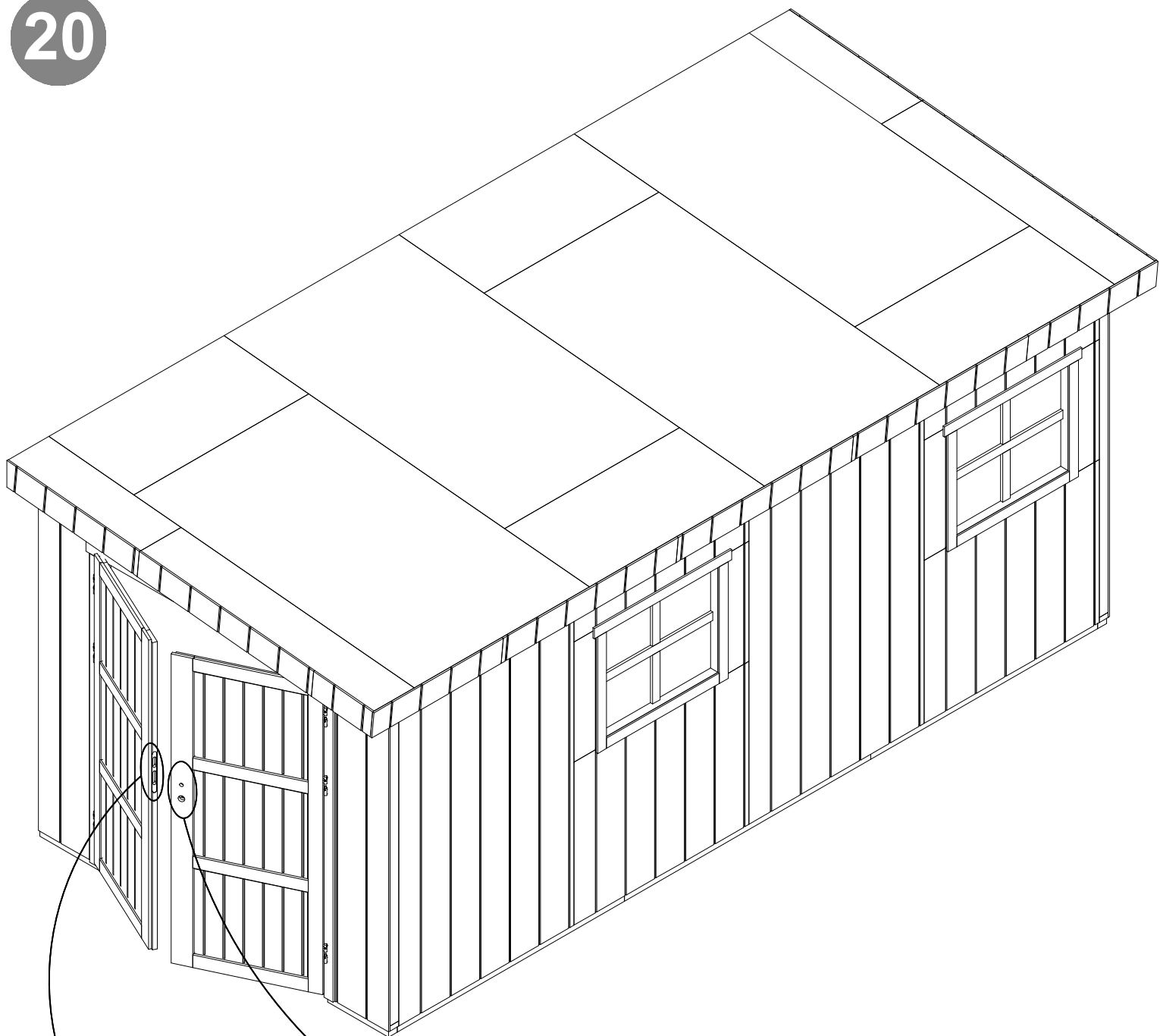
57



6

5

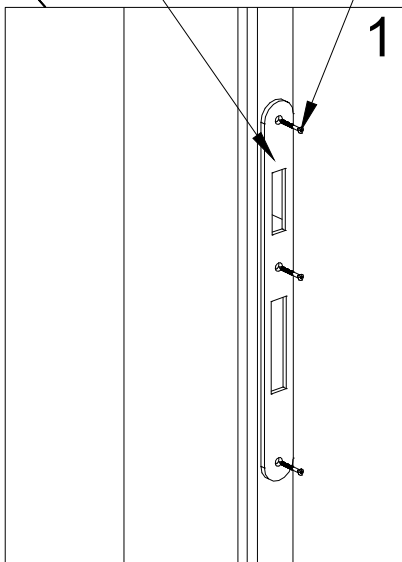




55

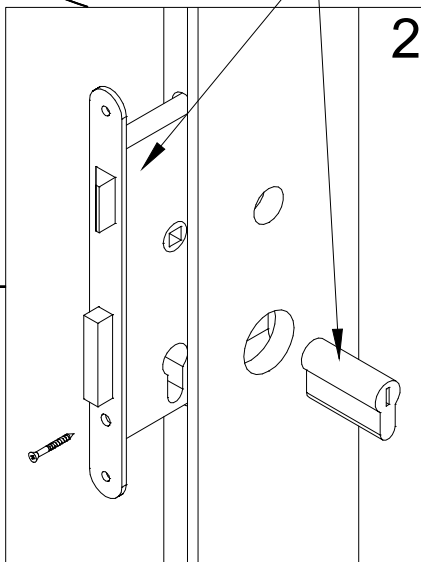
D x3

1



55

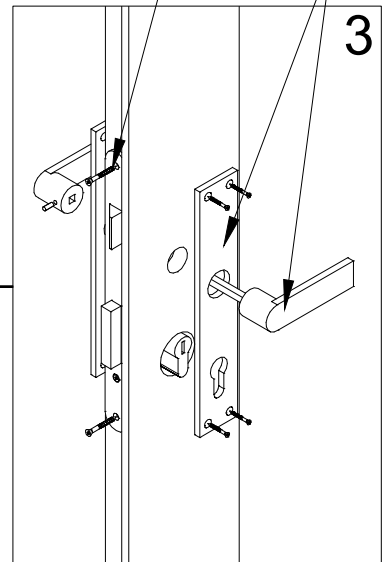
2



D x2

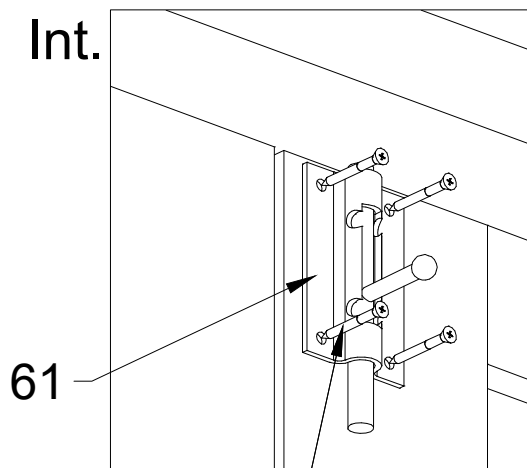
56

3

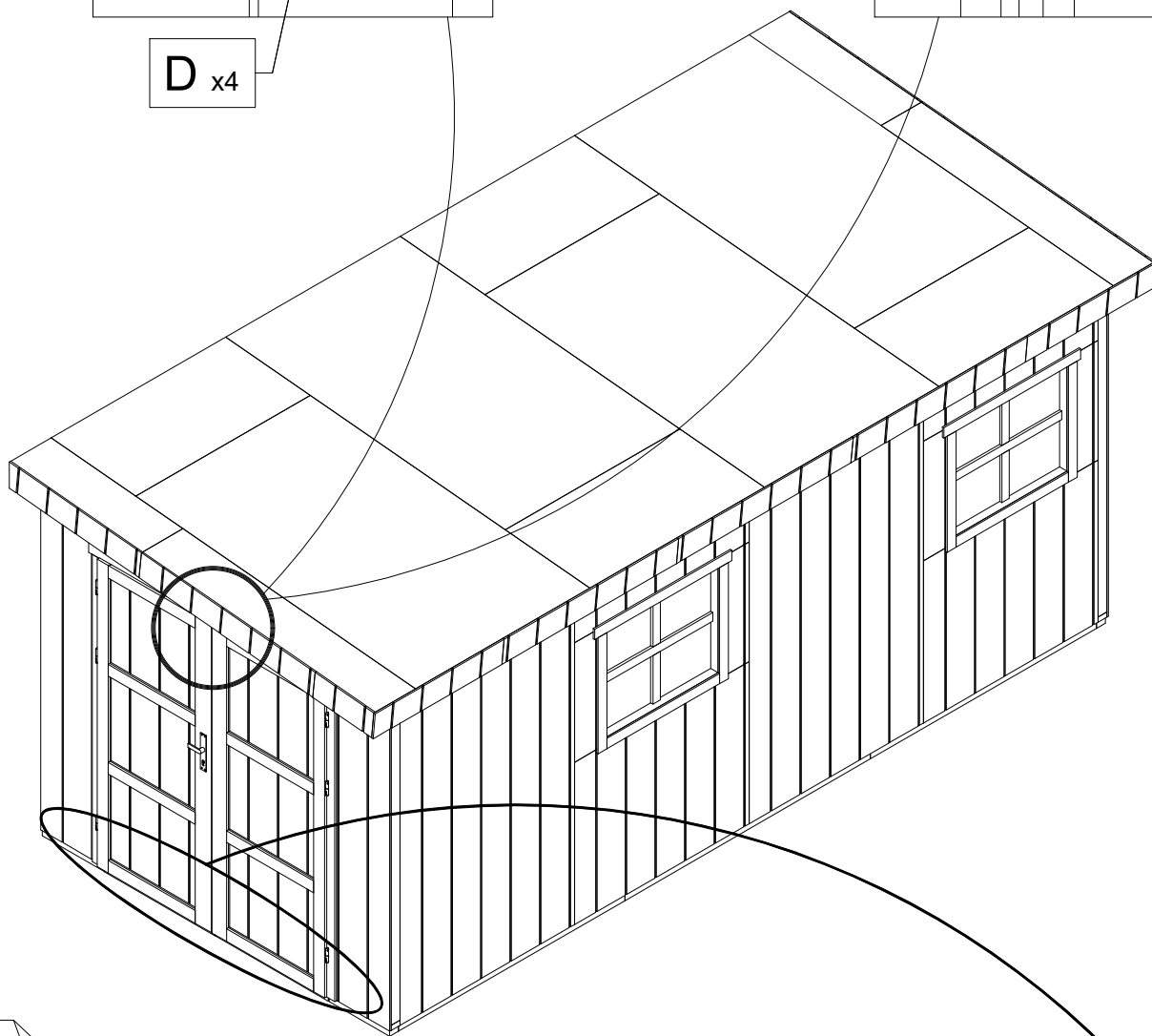
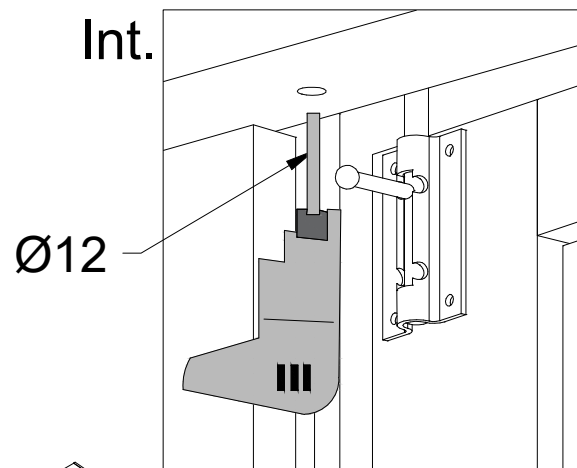


21

Int.



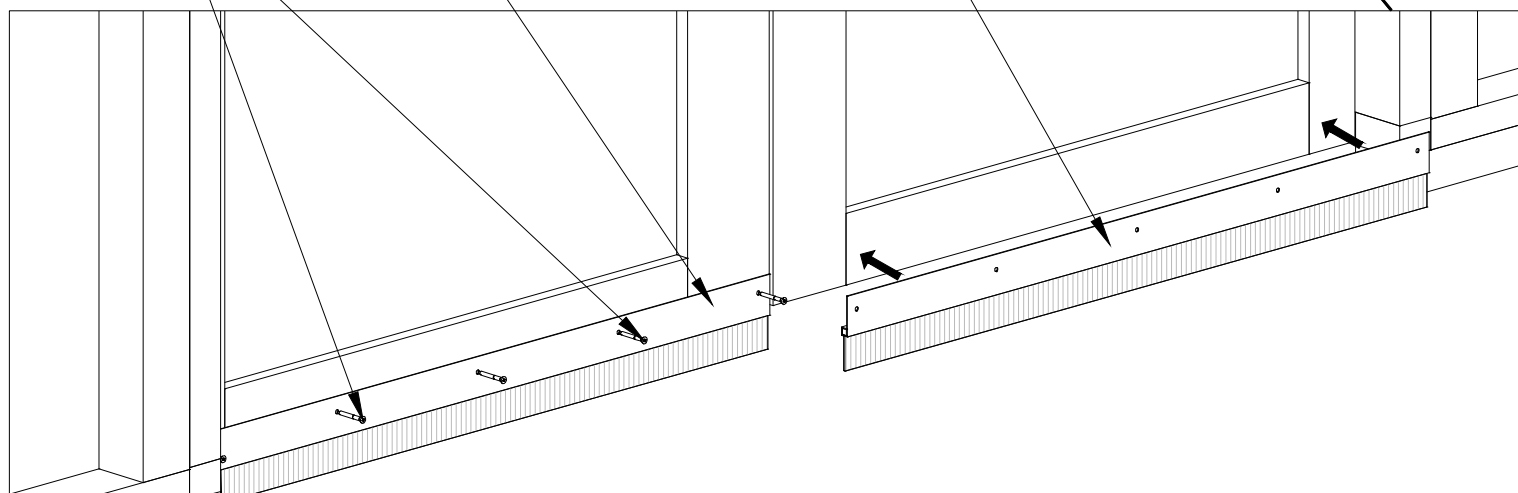
Int.

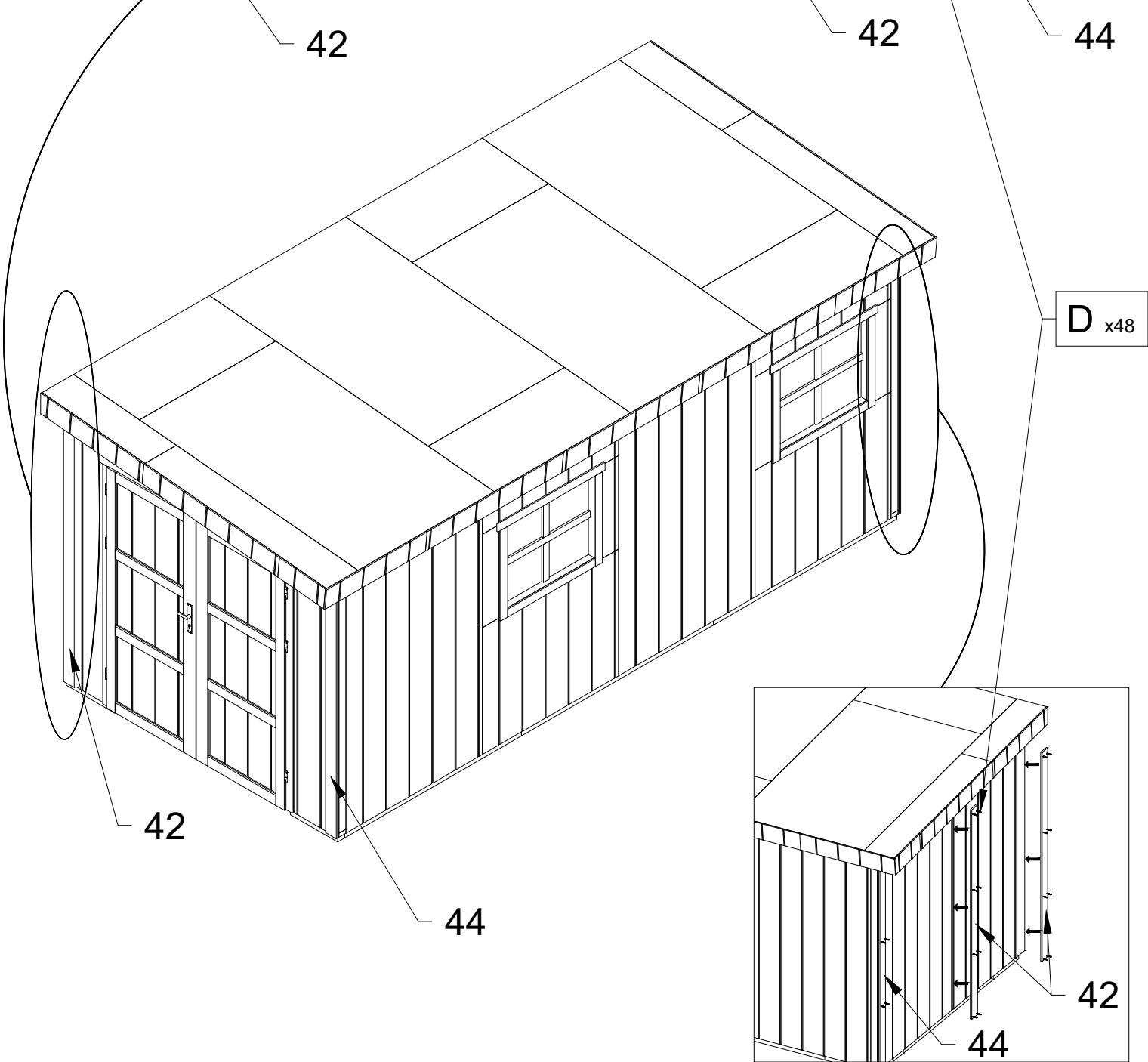
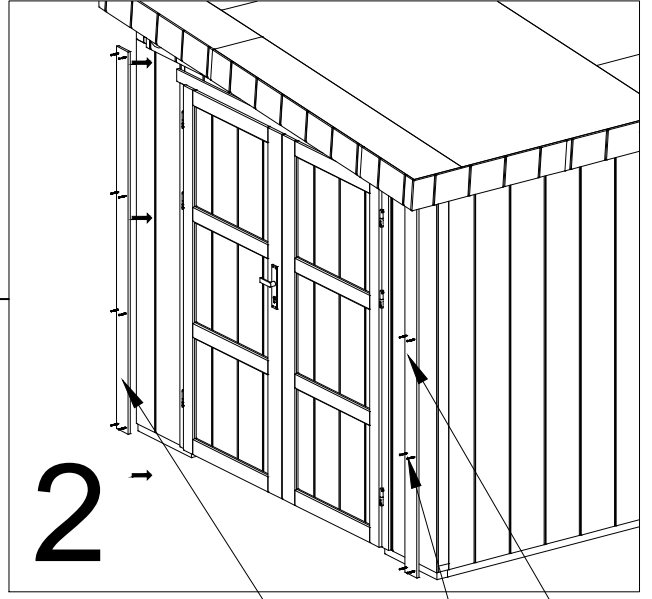
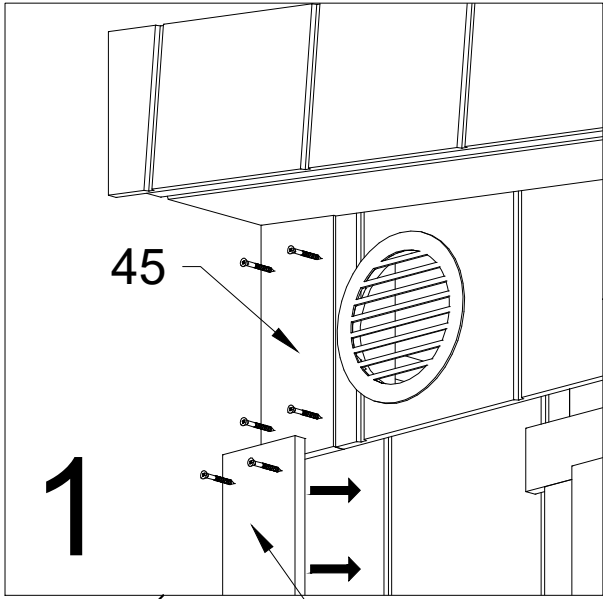


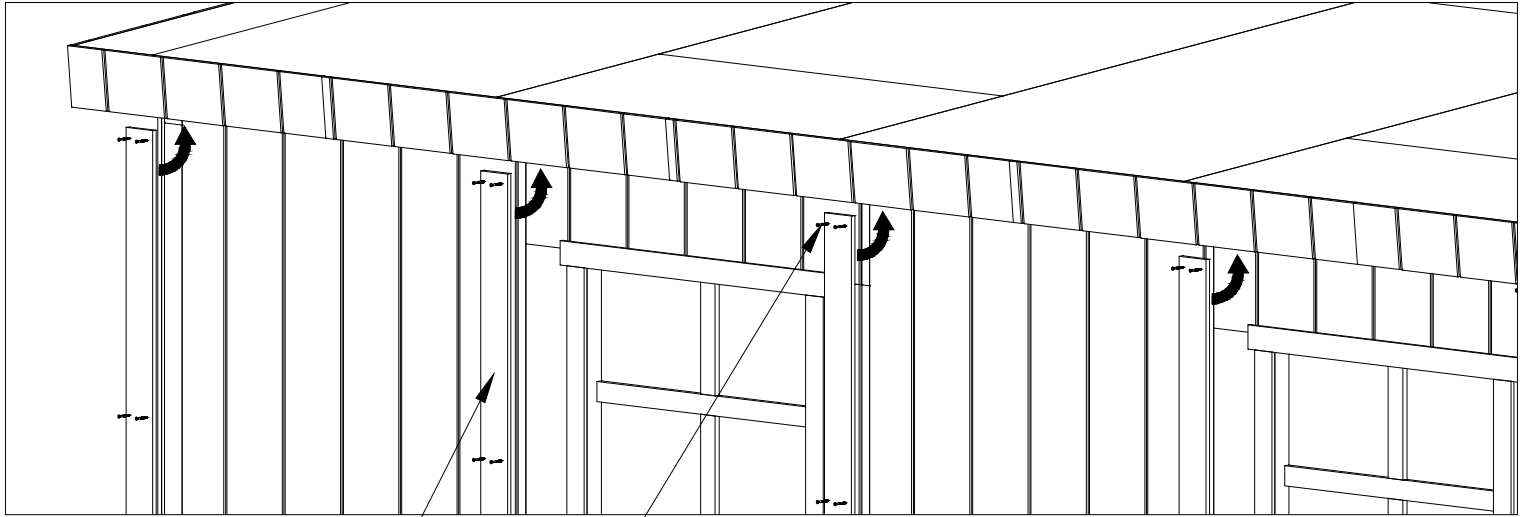
D x10

63

62

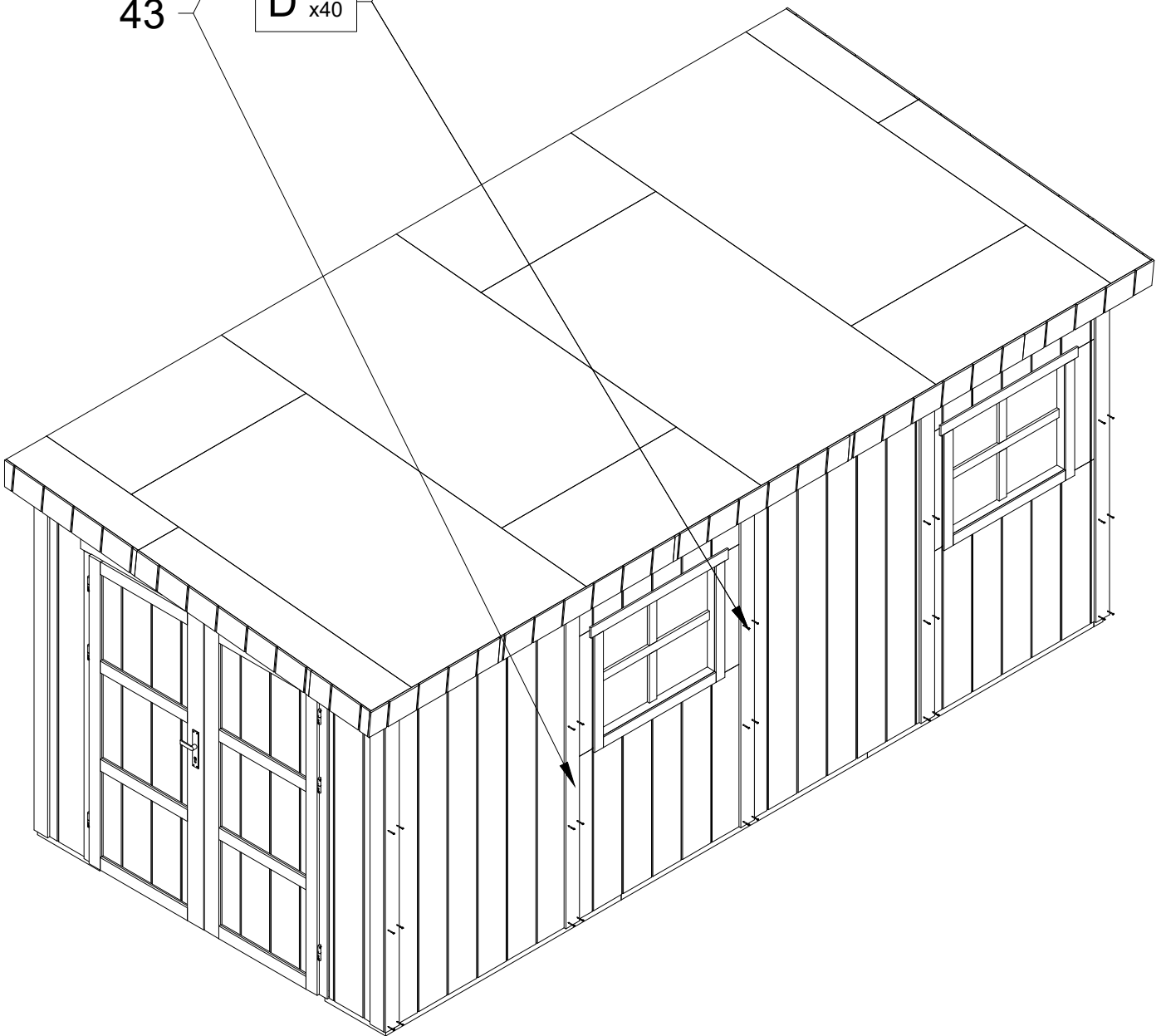


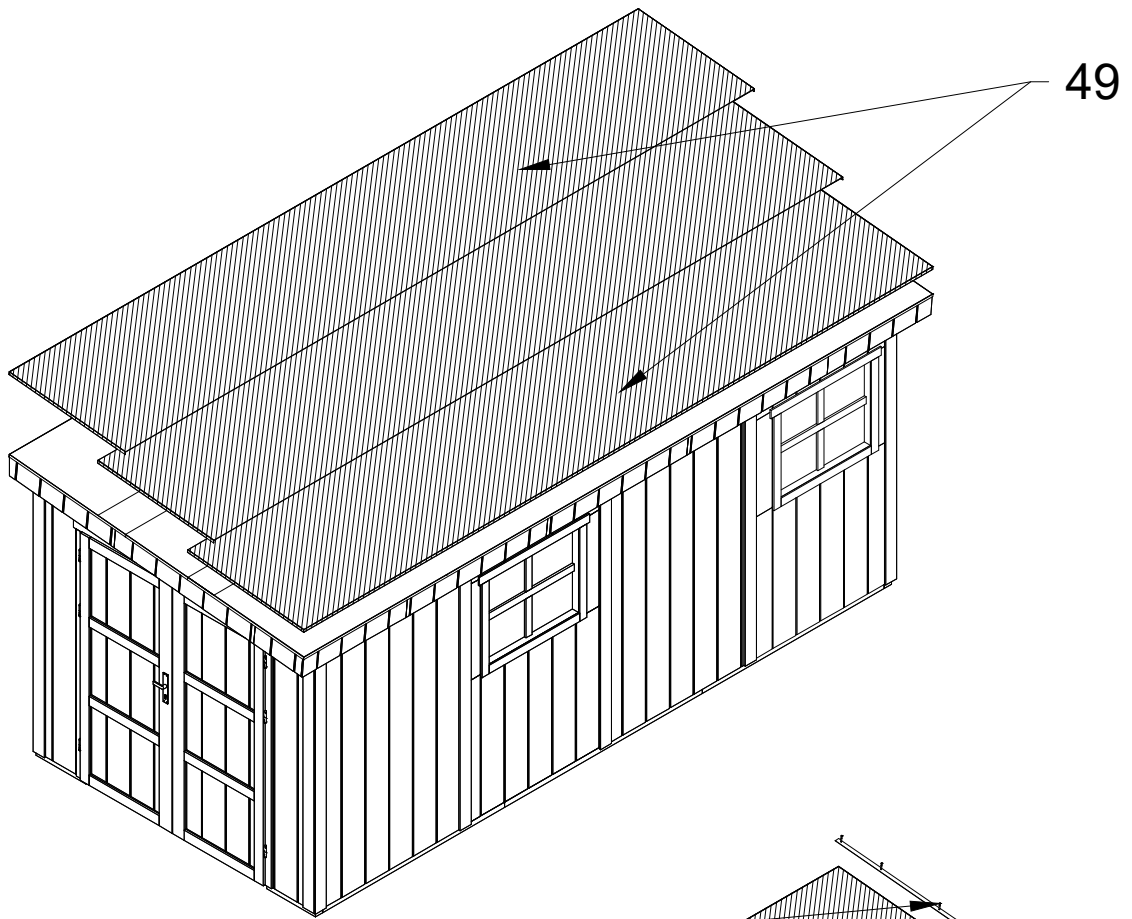




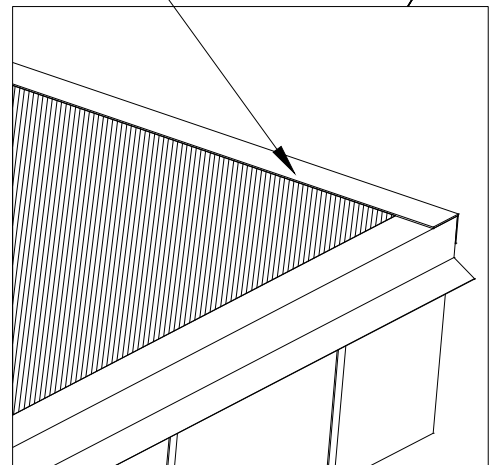
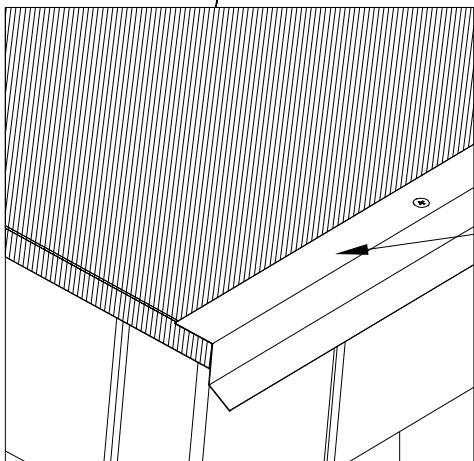
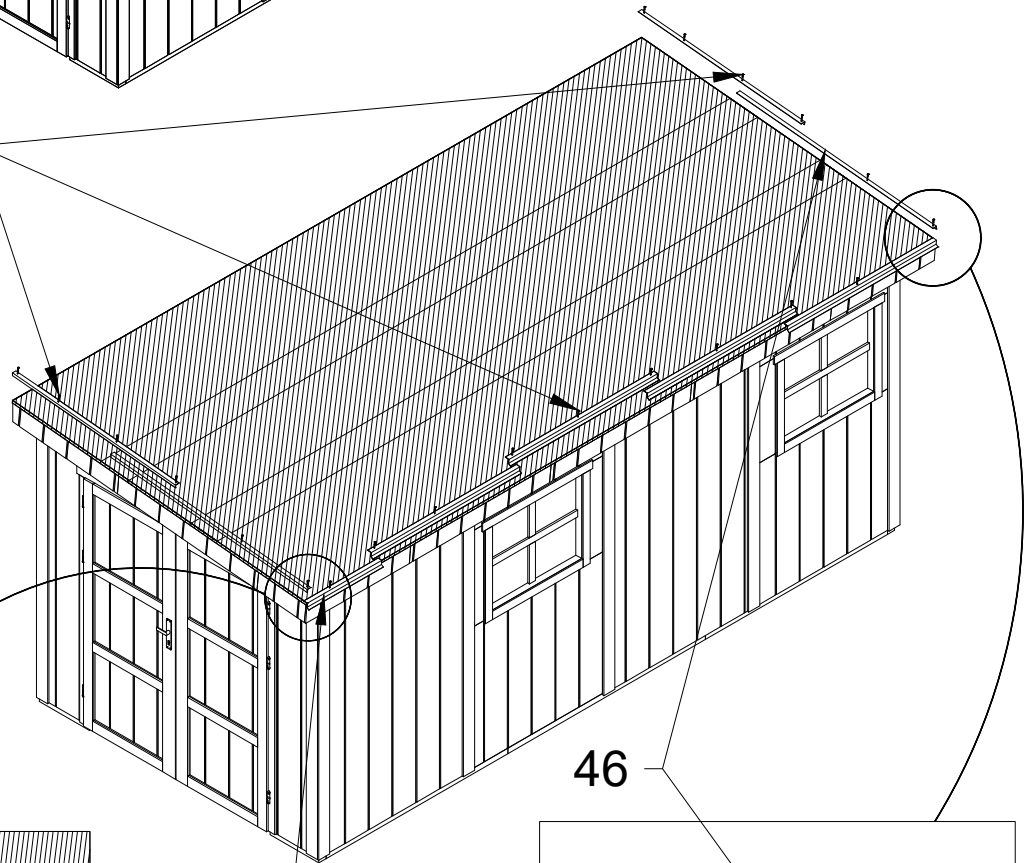
43

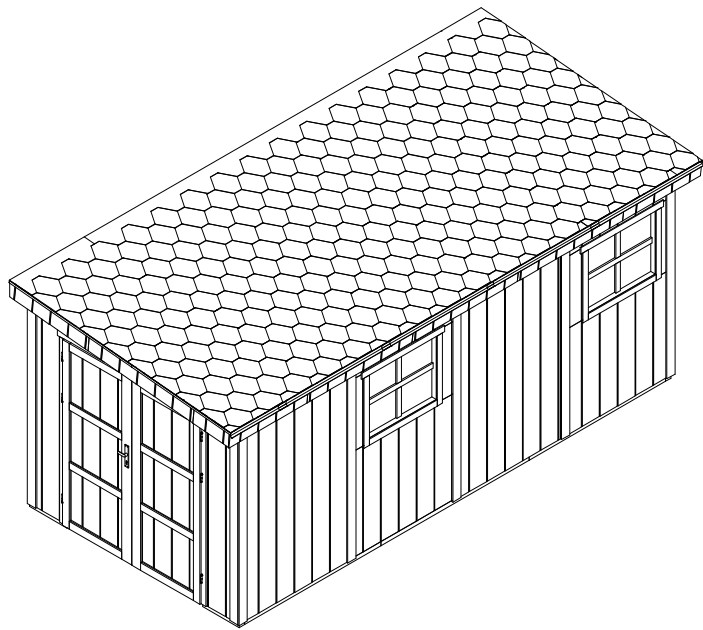
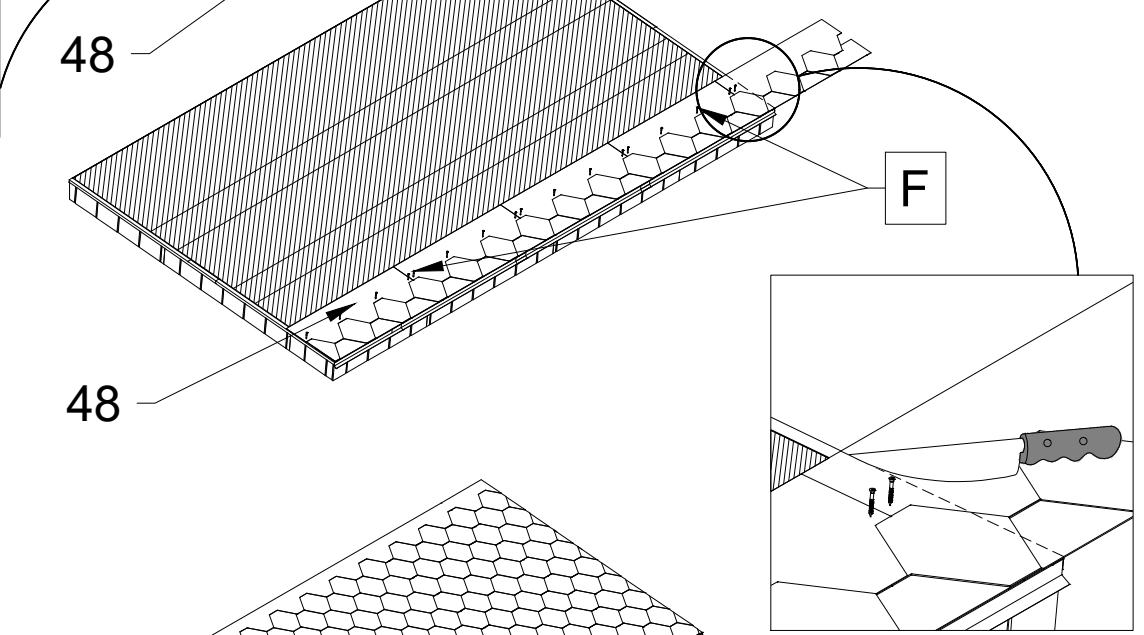
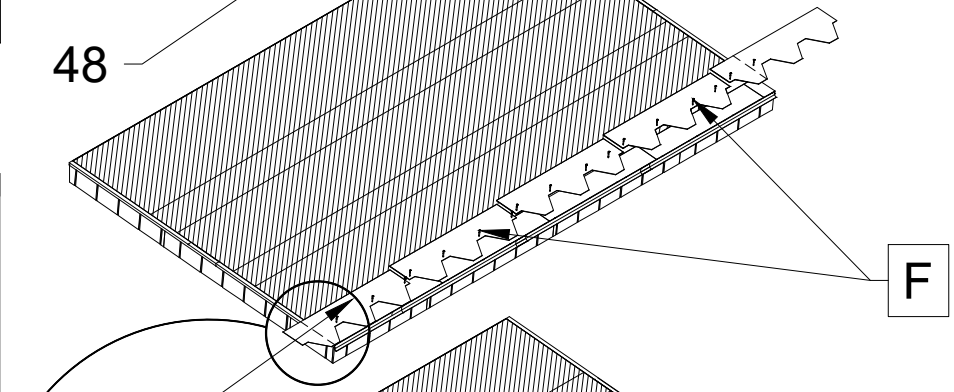
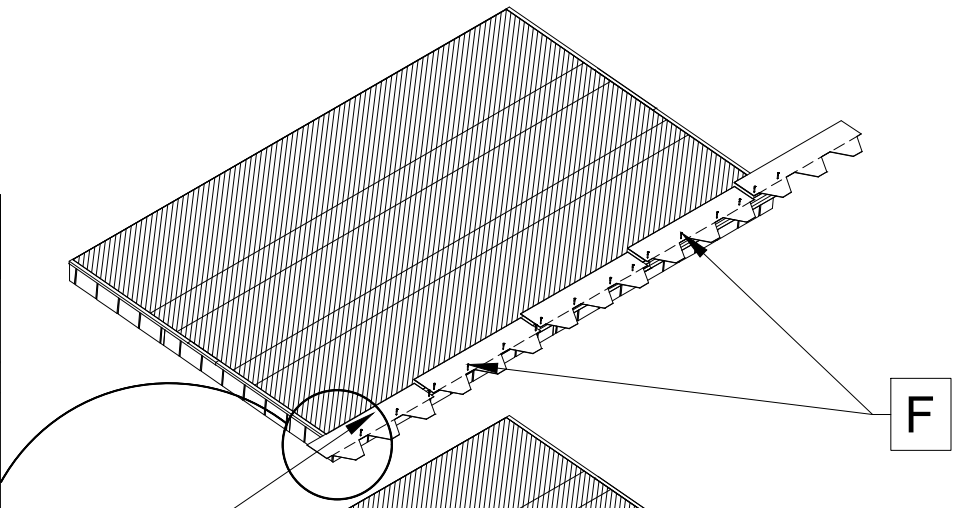
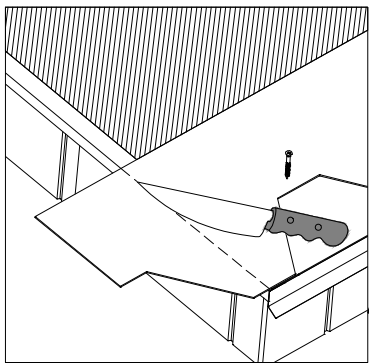
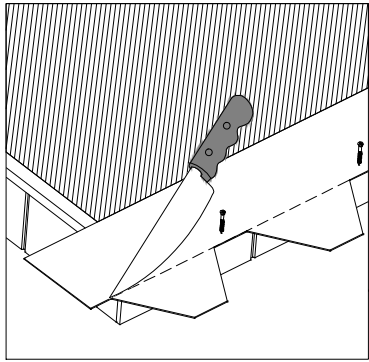
D x40





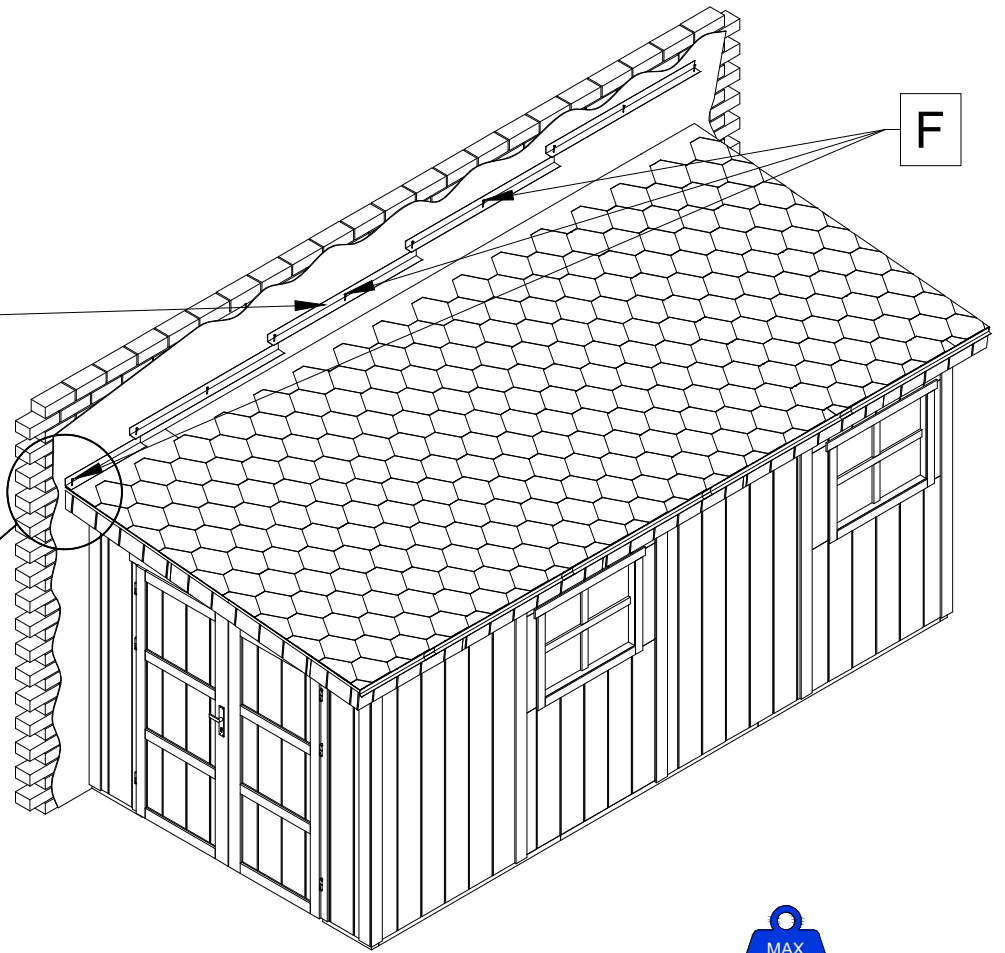
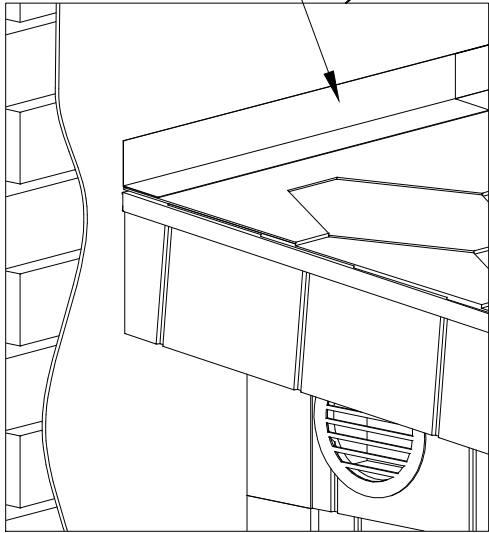
F





47.1

F



MAX
120 kg/m²

