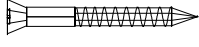
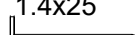
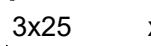
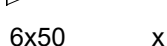
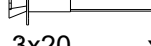
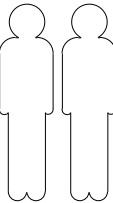
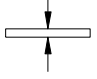
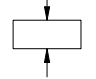
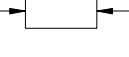
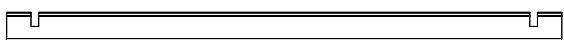


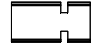

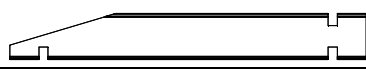



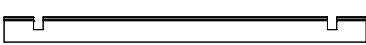


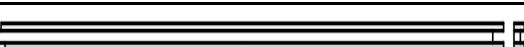
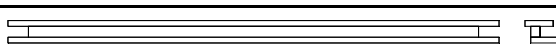

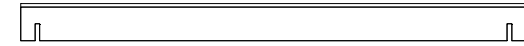
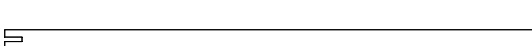
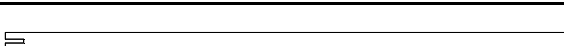
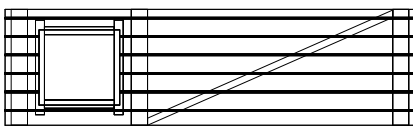





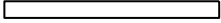
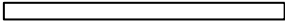
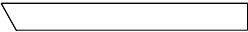


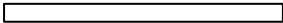

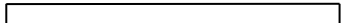


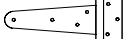
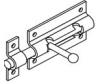
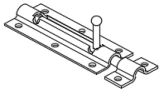
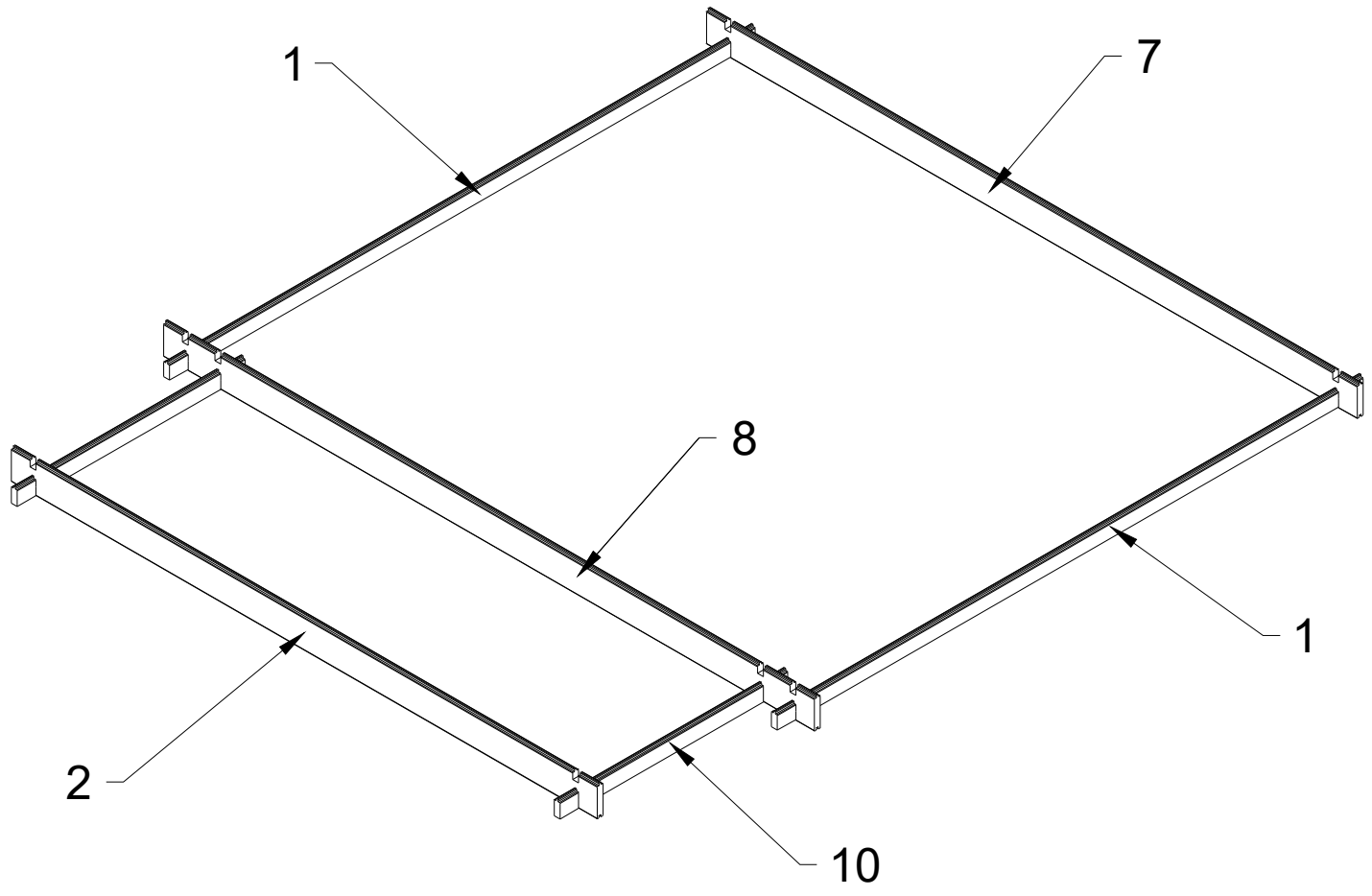
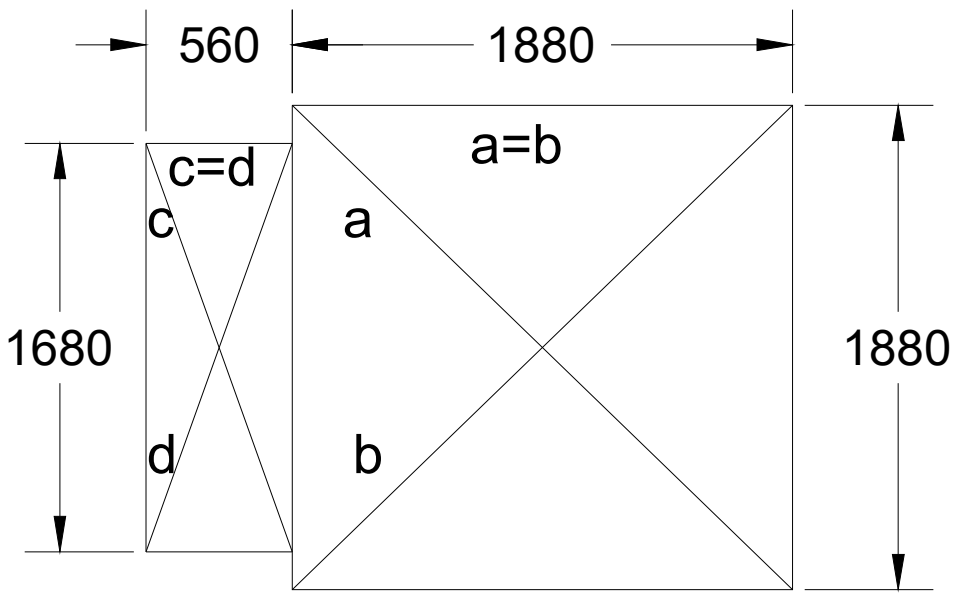


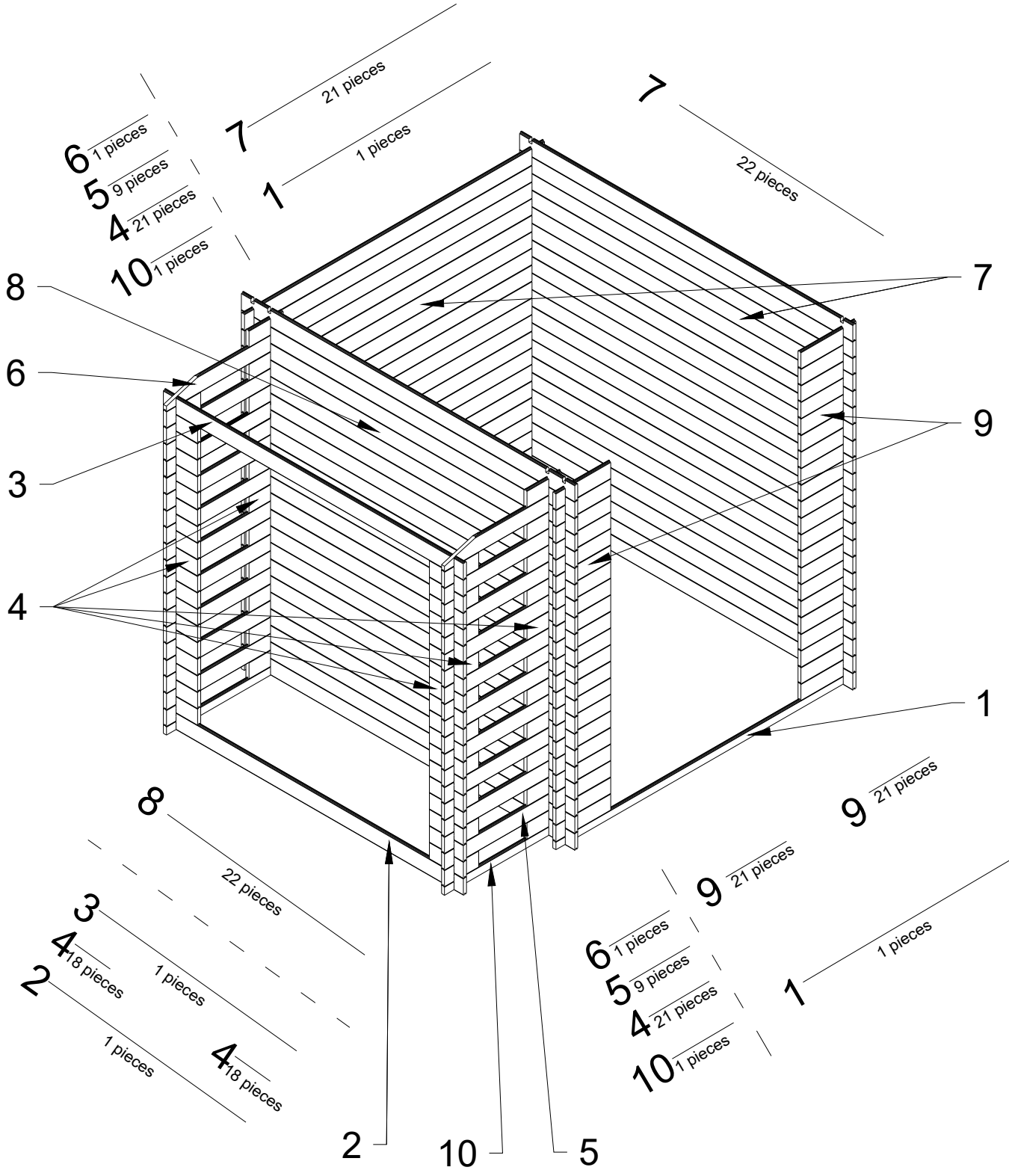
- | | | |
|----------|-------------|---|
| A | 4x45 x 34 |  |
| B | 1.4x25 x 54 |  |
| C | 3x25 x 123 |  |
| D | 6x50 x 6 |  |
| E | 3x20 x 28 |  |
- 

| № | | PCS |  mm |  mm |  mm |
|------|---|-----|---|---|---|
| 1 |  | 2 | 19 | 52 | 2000 |
| 2 |  | 1 | 19 | 92 | 1800 |
| 3 |  | 1 | 19 | 106 | 1800 |
| 4 |  | 78 | 19 | 92 | 188 |
| 5 |  | 18 | 19 | 92 | 700 |
| 6 |  | 2 | 19 | 92 | 700 |
| 7 |  | 43 | 19 | 92 | 2000 |
| 8 |  | 22 | 19 | 92 | 2000 |
| 9 |  | 42 | 19 | 92 | 384 |
| 10 |  | 2 | 19 | 52 | 700 |
| 11 |  | 2 | 38 | 38 | 1585 |
| 12 |  | 1 | 38 | 38 | 1842 |
| 12.1 |  | 1 | 38 | 38 | 1842 |
| 13 |  | 1 | 48 | 84 | 1290 |
| 14 |  | 2 | | 305 | 2000 |
| 15 |  | 1 | 40 | 60 | 2000 |
| 16 |  | 2 | 15 | 35 | 1700 |
| 17 |  | 4 | 15 | 35 | 1800 |
| 18 |  | 1 | | 585 | 1760 |
| 19 |  | 1 | | 585 | 1760 |
| 20 |  | 2 | OSB | 800 | 1100 |

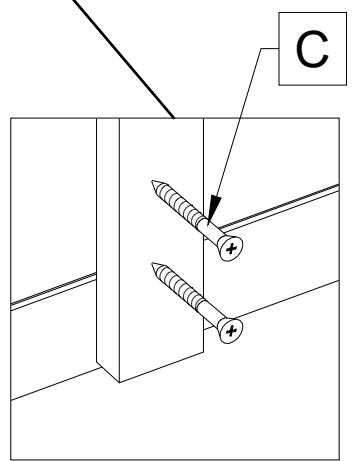
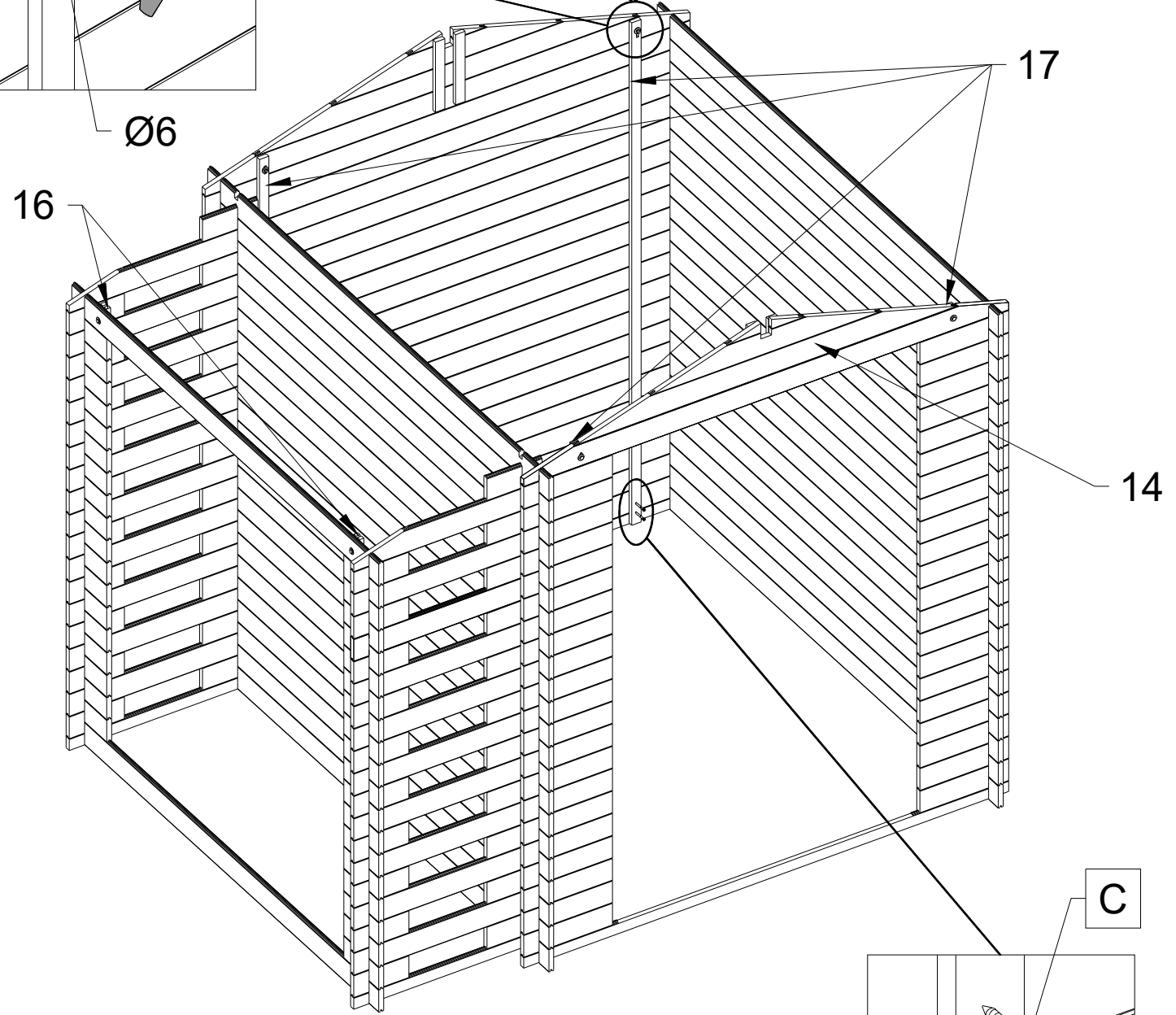
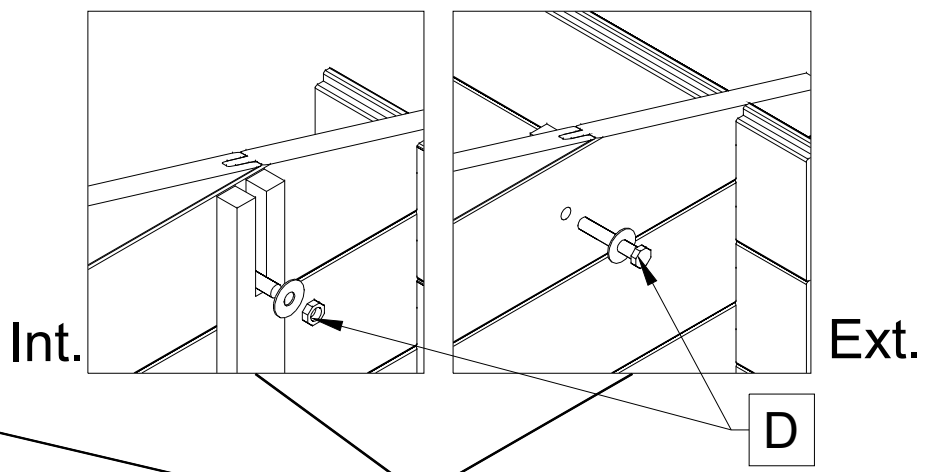
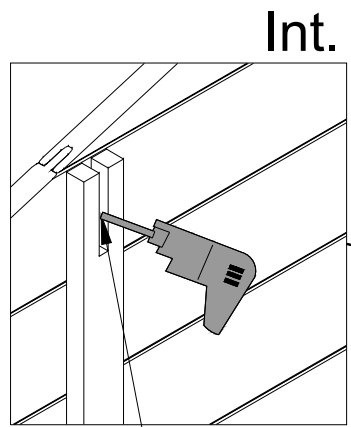
| | | | | | |
|------|---|---|-----|------|------|
| 20.1 |  | 1 | OSB | 400 | 1100 |
| 20.2 |  | 2 | OSB | 800 | 1680 |
| 20.3 |  | 1 | OSB | 400 | 1680 |
| 21 |  | 4 | 15 | 35 | 1080 |
| 22 |  | 4 | 15 | 35 | 1660 |
| 23 |  | 2 | 13 | 92 | 1120 |
| 24 |  | 2 | 13 | 92 | 1710 |
| 25 |  | 2 | 15 | 75 | 145 |
| 26 |  | 2 | 15 | 35 | 855 |
| 27 |  | 4 | OSB | 35 | 1000 |
| 28 |  | 1 | 15 | 69 | 1180 |
| 29 |  | 4 | 15 | 35 | 1000 |
| 30 |  | 3 | | 1000 | 2000 |
| 32 |  | 6 | | | |
| 33 |  | 3 | | | |
| 33.1 |  | 1 | | | |

1

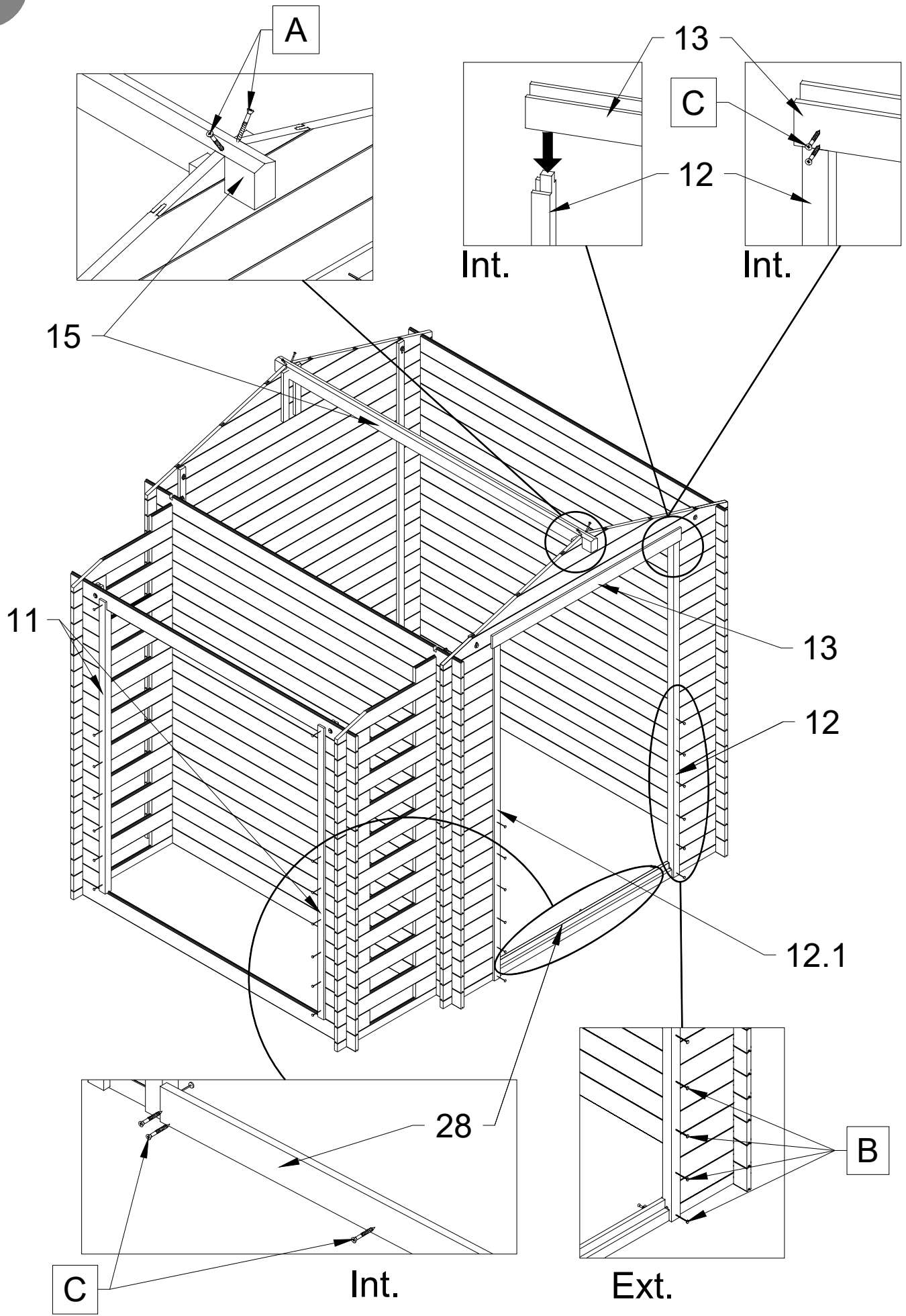




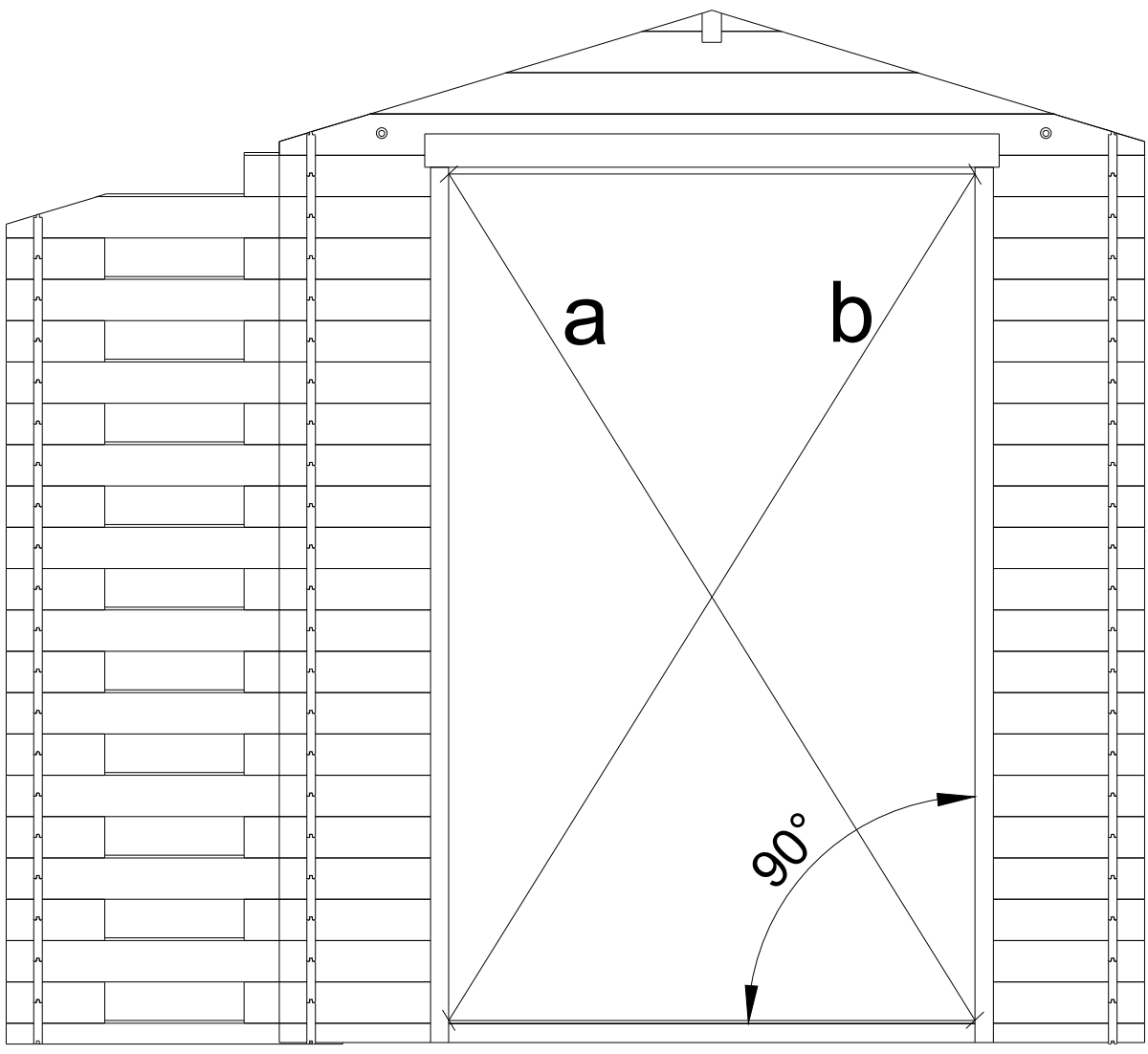
3

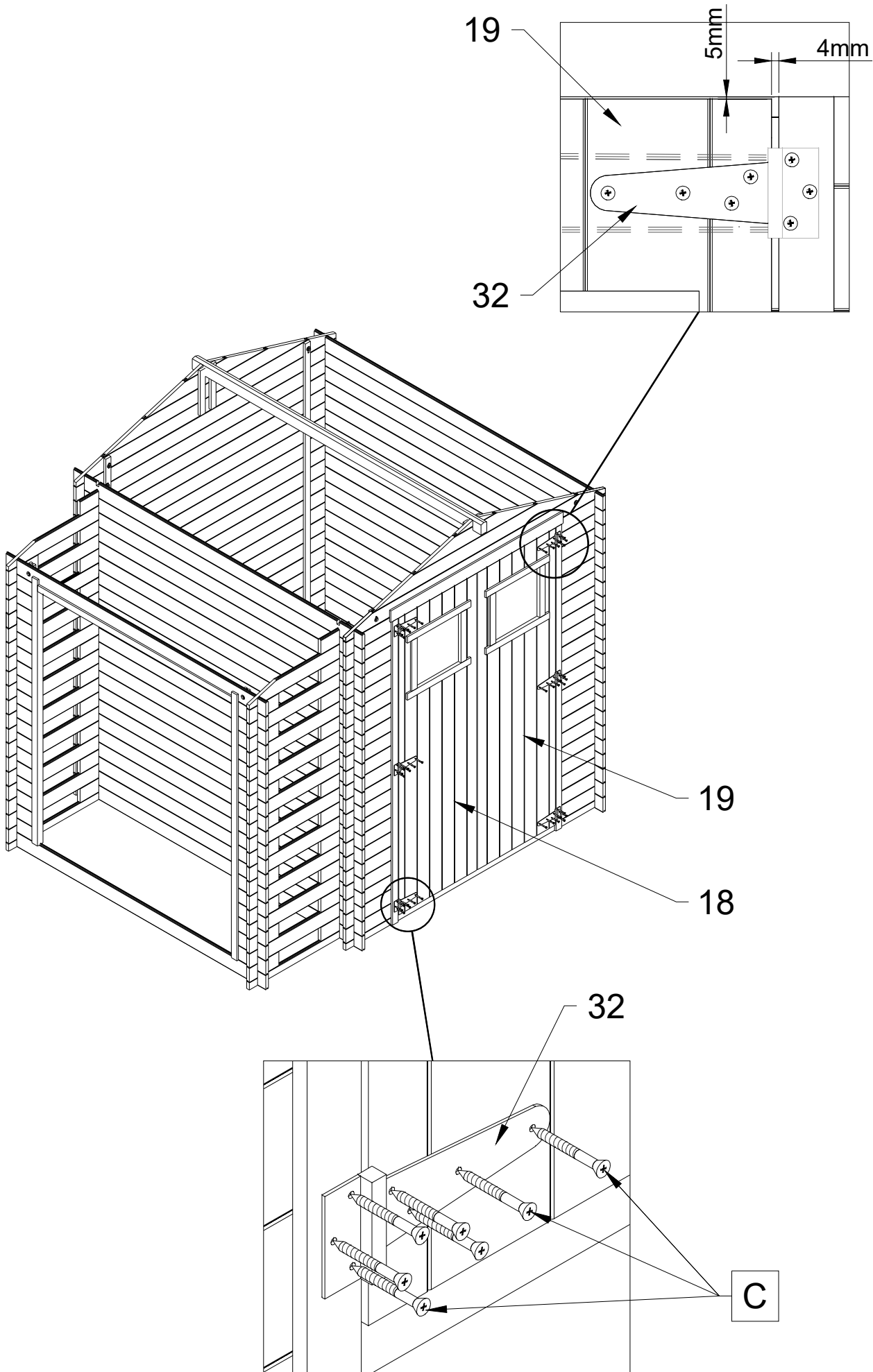


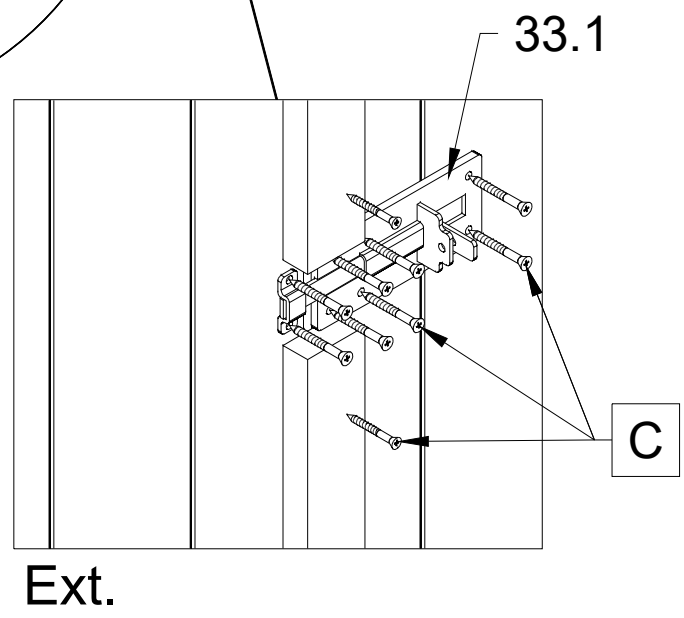
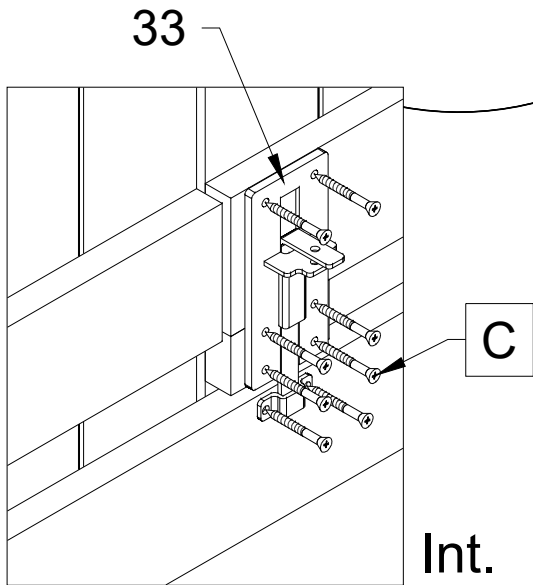
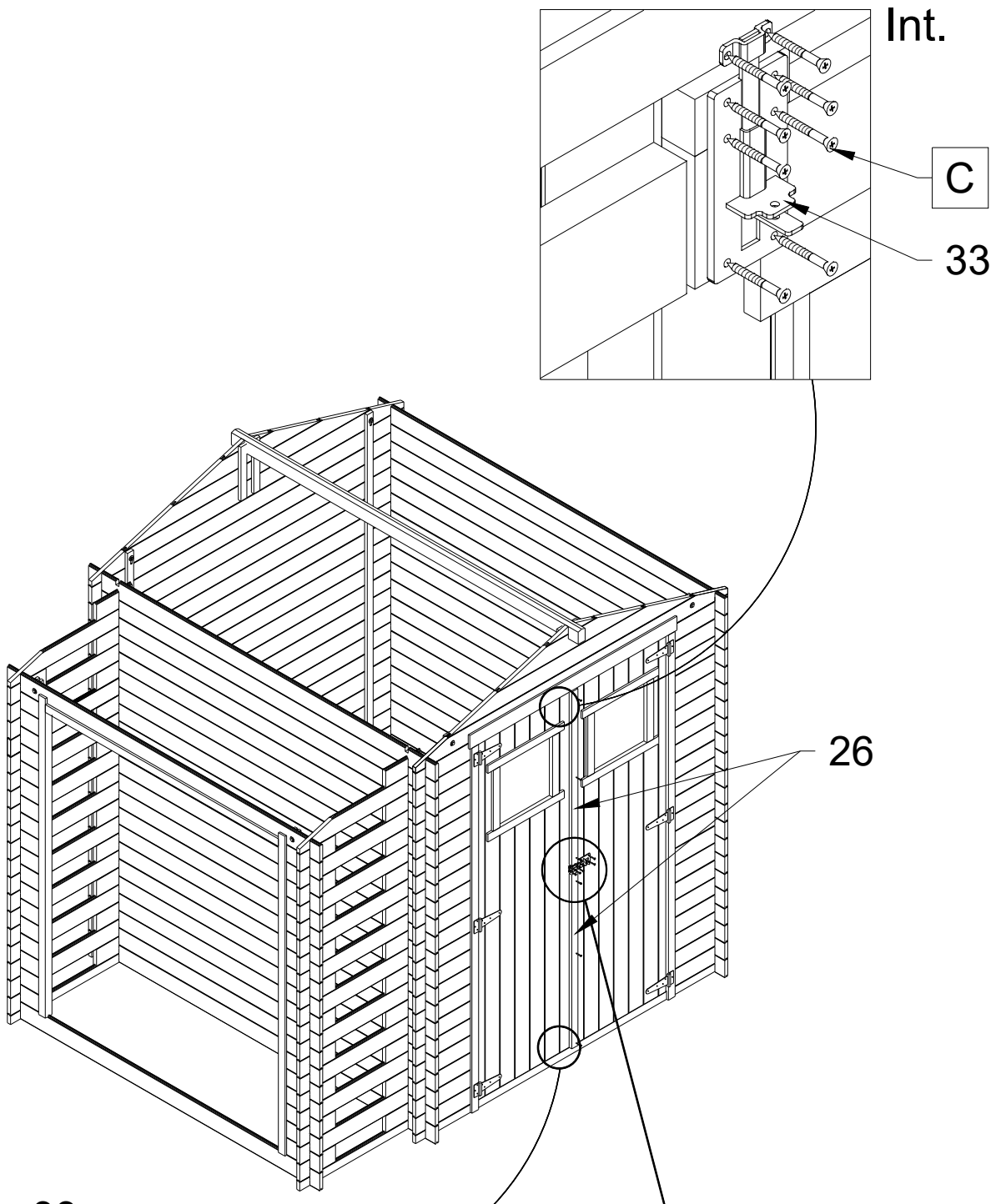
4

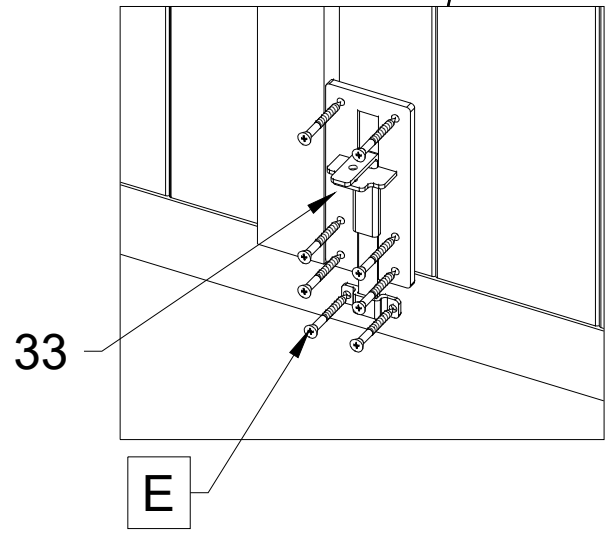
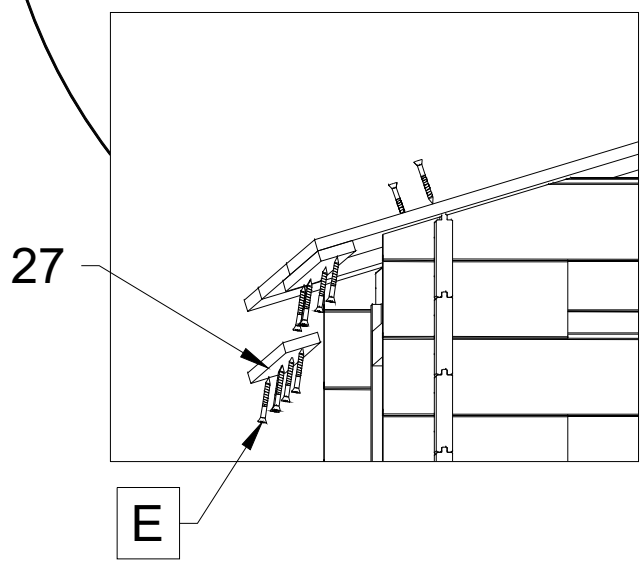
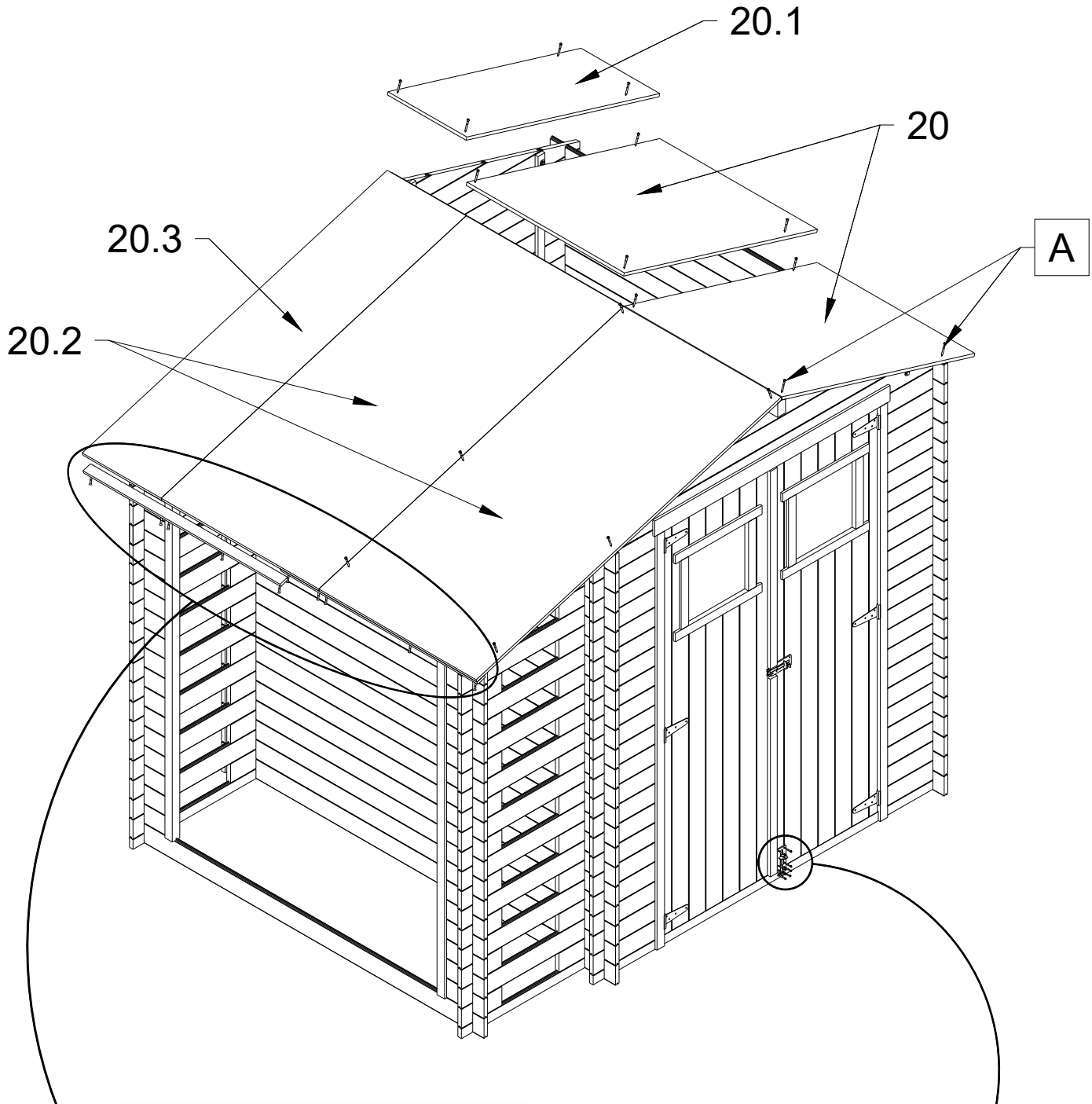


$$a=b$$

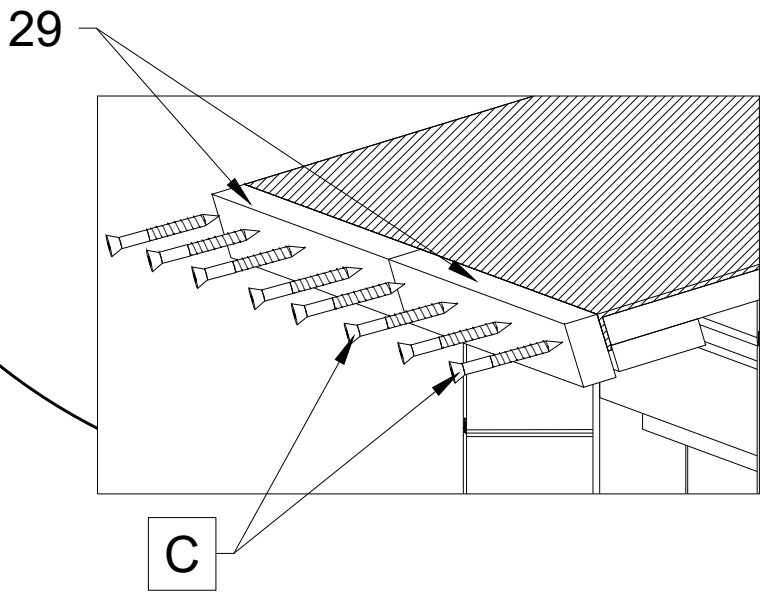
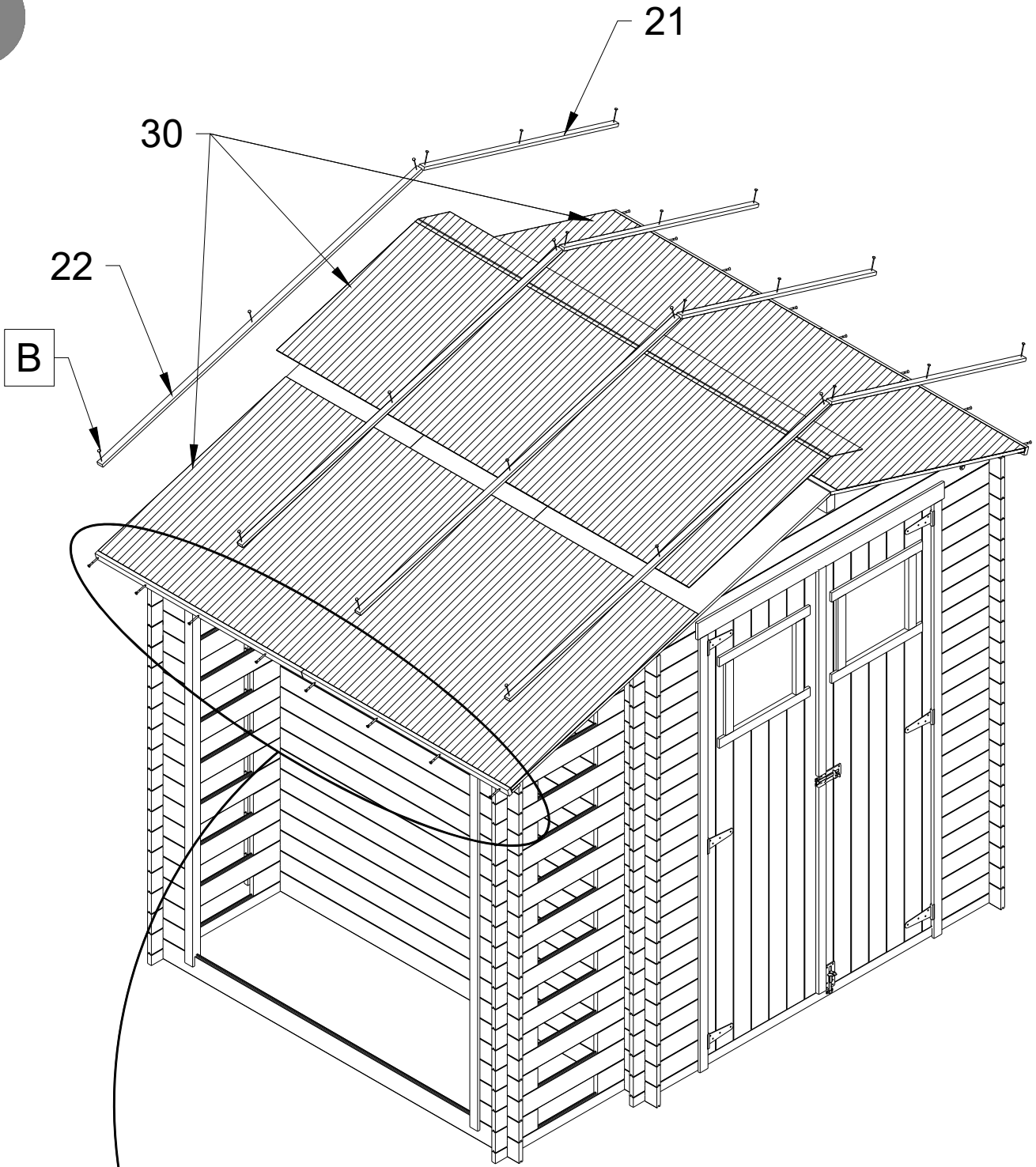








9



10

MAX
30 kg/m²

