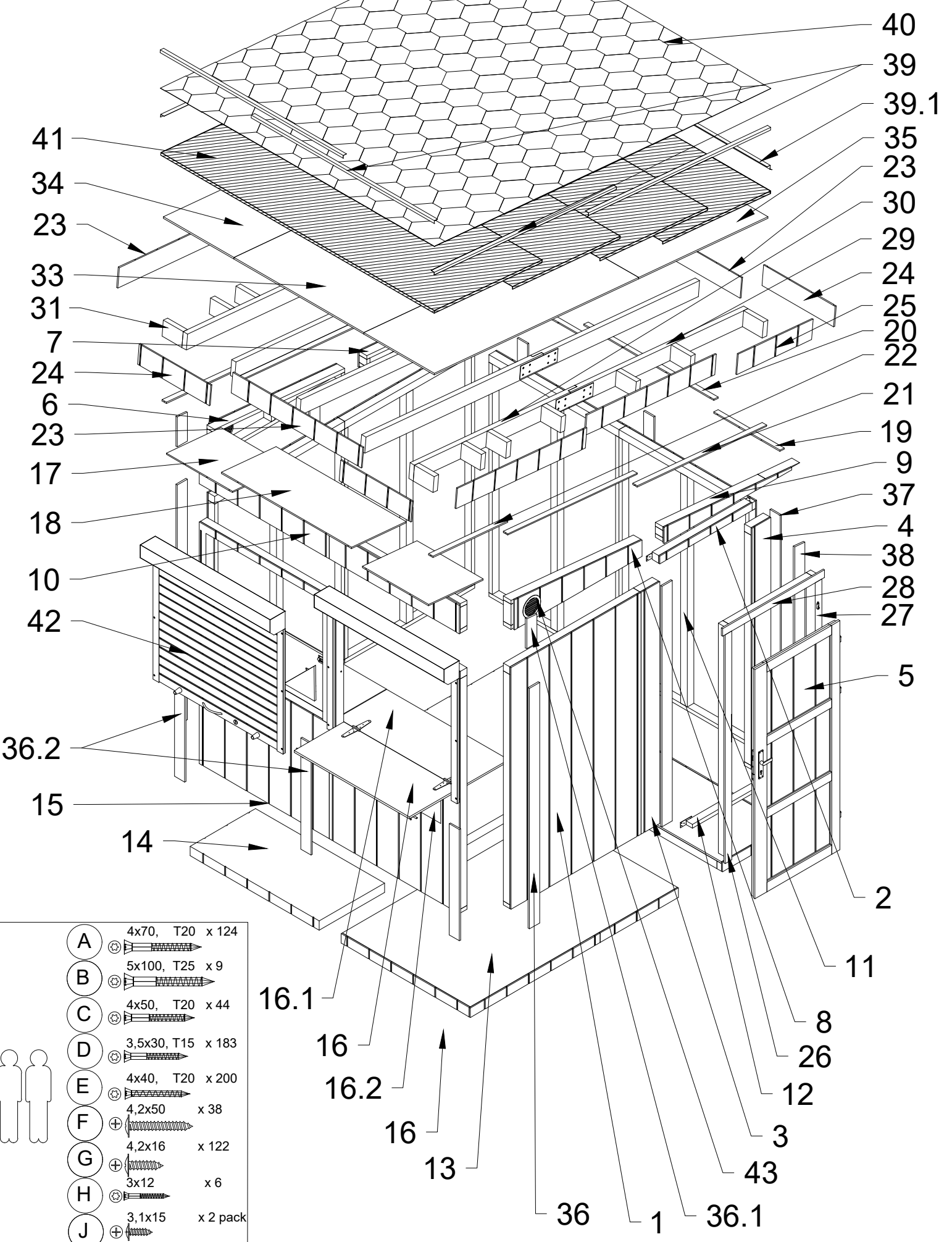
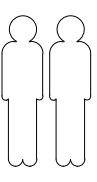


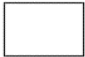


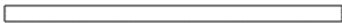




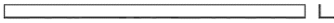

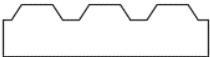





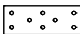







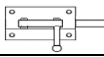

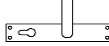


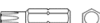

M950



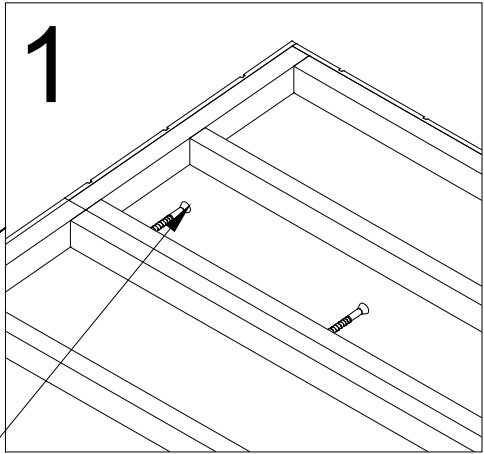
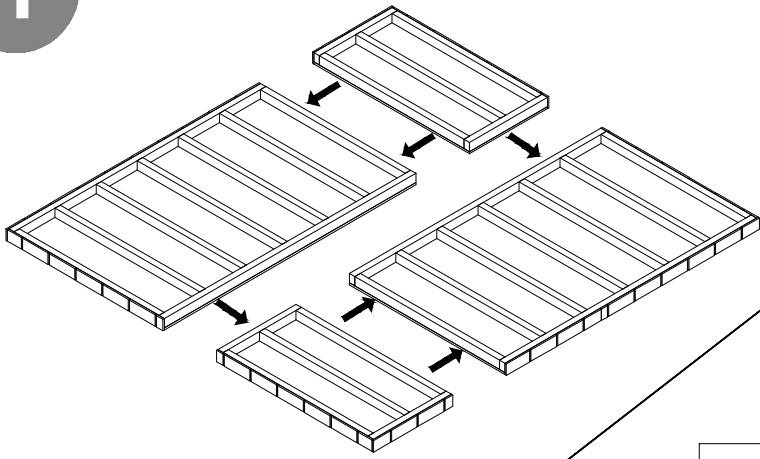
- A** 4x70, T20 x 124
- B** 5x100, T25 x 9
- C** 4x50, T20 x 44
- D** 3,5x30, T15 x 183
- E** 4x40, T20 x 200
- F** 4,2x50 x 38
- G** 4,2x16 x 122
- H** 3x12 x 6
- J** 3,1x15 x 2 pack
- K** 10x50 x 40
- L** 10x100 x 8



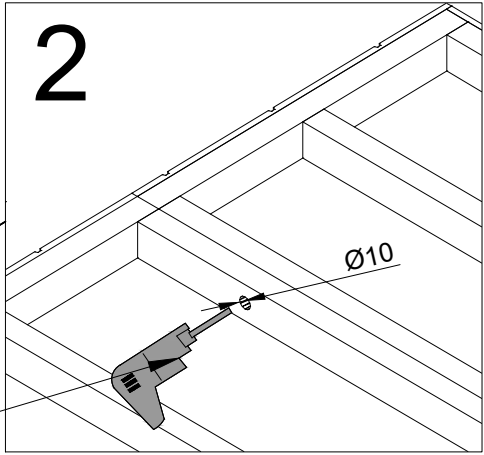
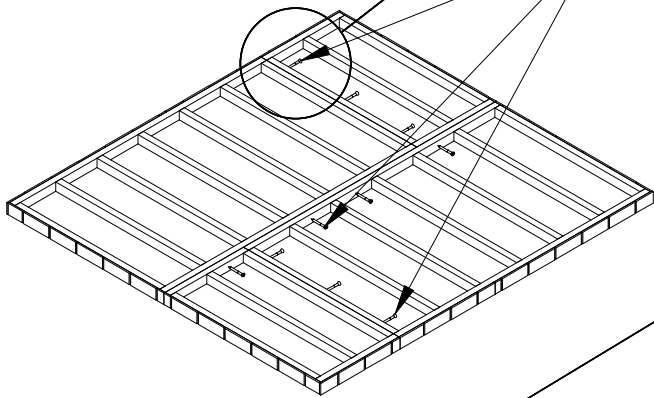
№		PCS			
			mm	mm	mm
1		5		1180	1900
2		1		60	839
3		1		170	1900
4		1		170	1900
5		1		772	1801
6		1		238	1180
7		1		127	1240
8		1		238	1180
9		1		127	1240
10		2		233	1180
11		5	60	60	1810
12		1	30	57	839
13		2		1172	1910
14		2		1172	594
15		2		1180	1900
16		2	15	455	1048
16.1		2	15	455	1110
16.2		4	15	280	280
17		2	10	497	600
18		1	10	497	1180
19		2	10	40	600
20		1	10	40	1180
21		2	10	40	1180
22		2	10	40	682
23		6	10	152	1180
24		4	10	152	650
25		2	10	152	682
26		1	60	82	1839
27		1	60	82	1839
28		1	60	82	925
29		5	40	120	1620
30		5	40	120	1502
31		14	40	120	180
32		1	12	1180	1900

33		1	12	1142	1180
34		2	12	640	1862
35		2	12	640	1180
36		4	13	92	1890
36.1		2	13	92	234
36.2		2	13	92	874
37		3	13	92	1887
38		2	13	92	1899
39		6			1660
39.1		2			1250
40		3 pack			
41		3		1m	2.50m
41.1		1		0.5m	2.50m
41.2		1			
42		2			
43		2			
44		4			
45		10			
46		10			
47		3			
47.1		3			
48		4			
48.1		8			
48.2		6			
49		4			
50		1			
50.1		1			
51		1	T25		
52		1	T20		
53		1	T15		
54		1			

1

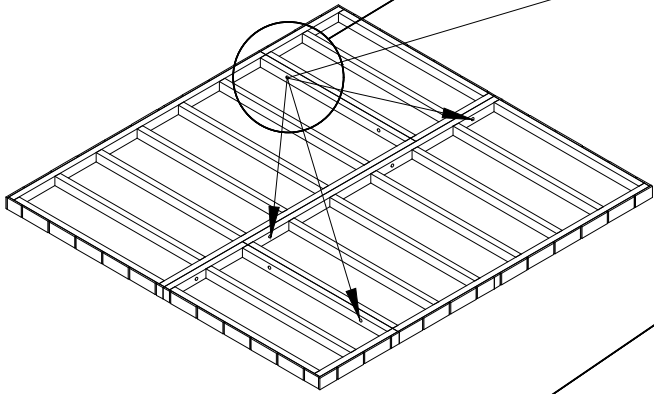


A x10

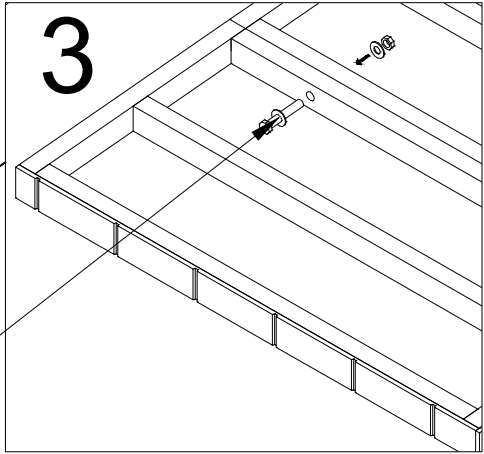


2

Ø10

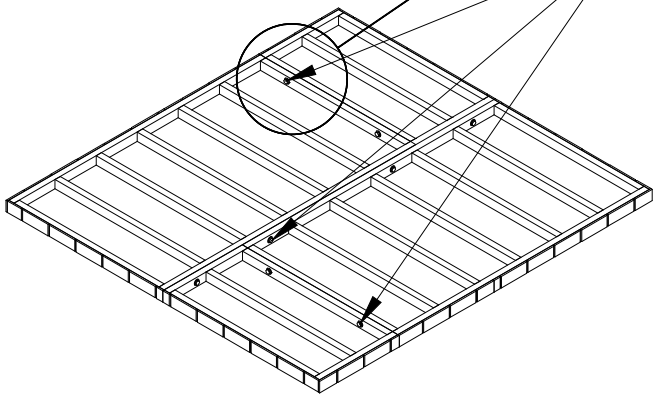


L x8



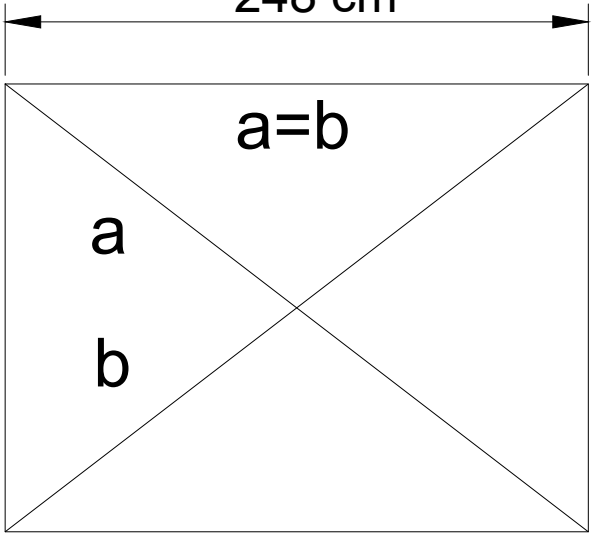
3

Ø10



248 cm

234 cm

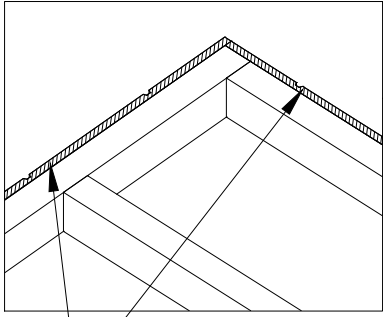


a=b

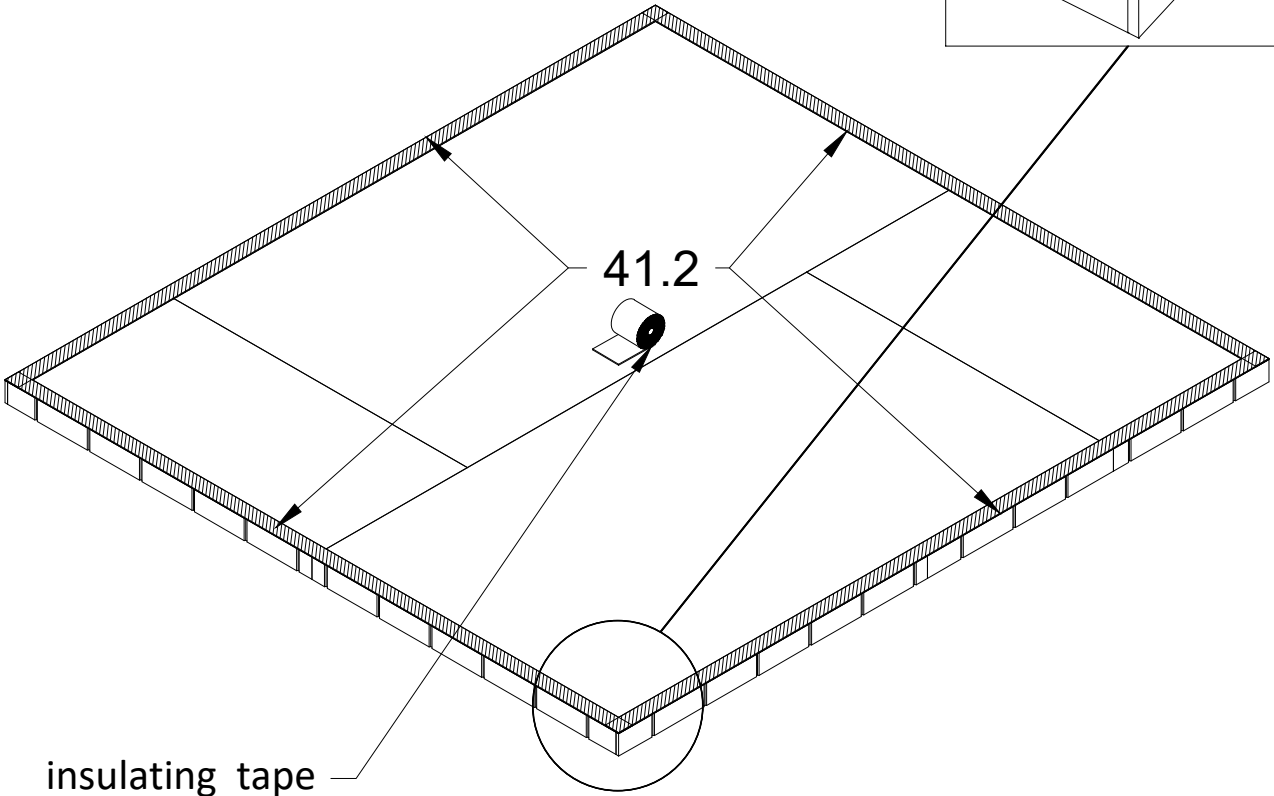
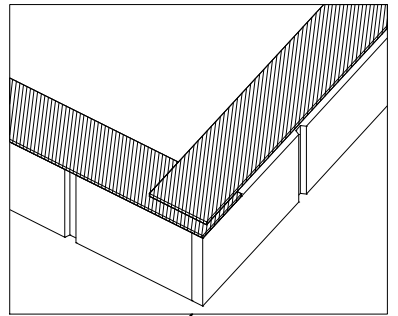
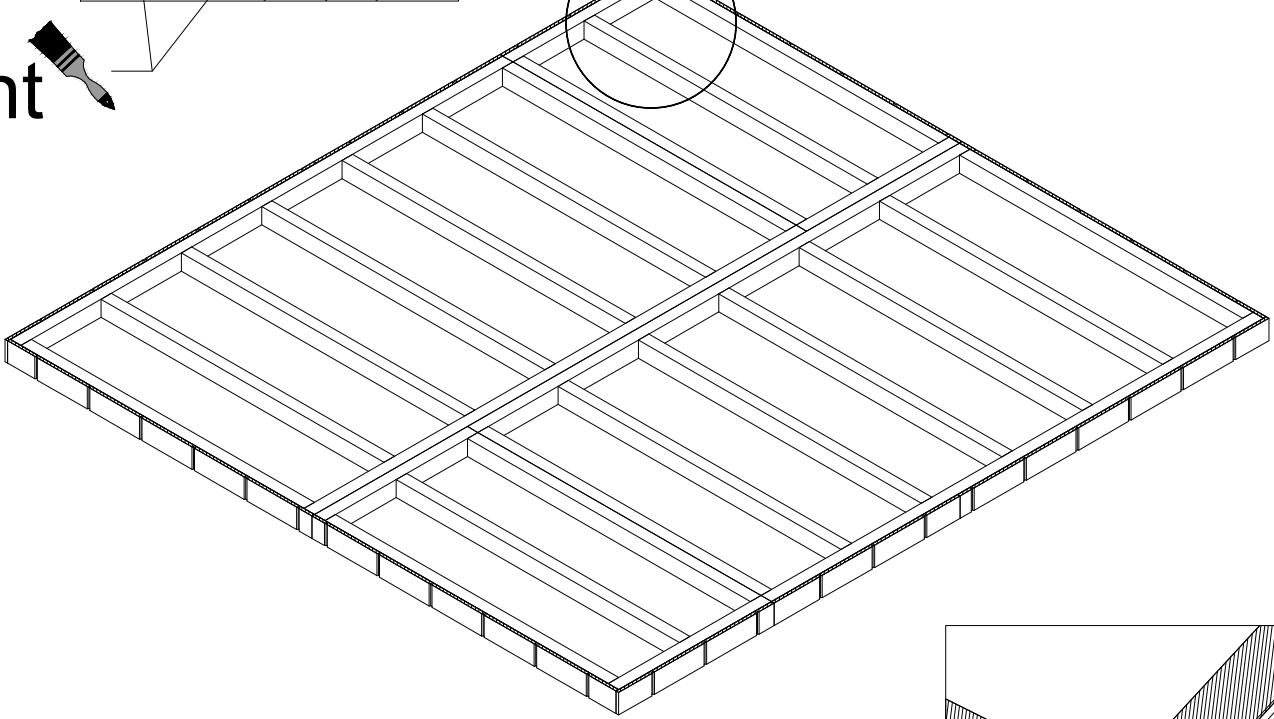
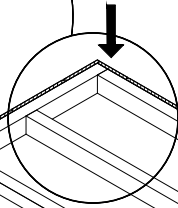
a

b

2



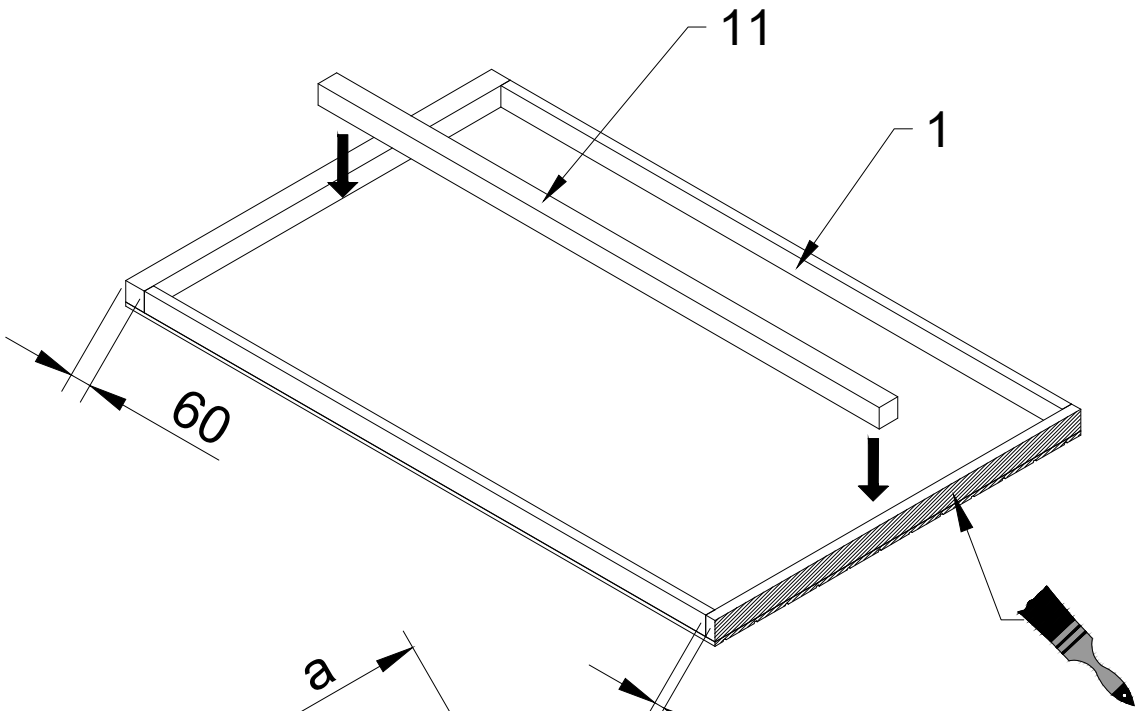
Paint



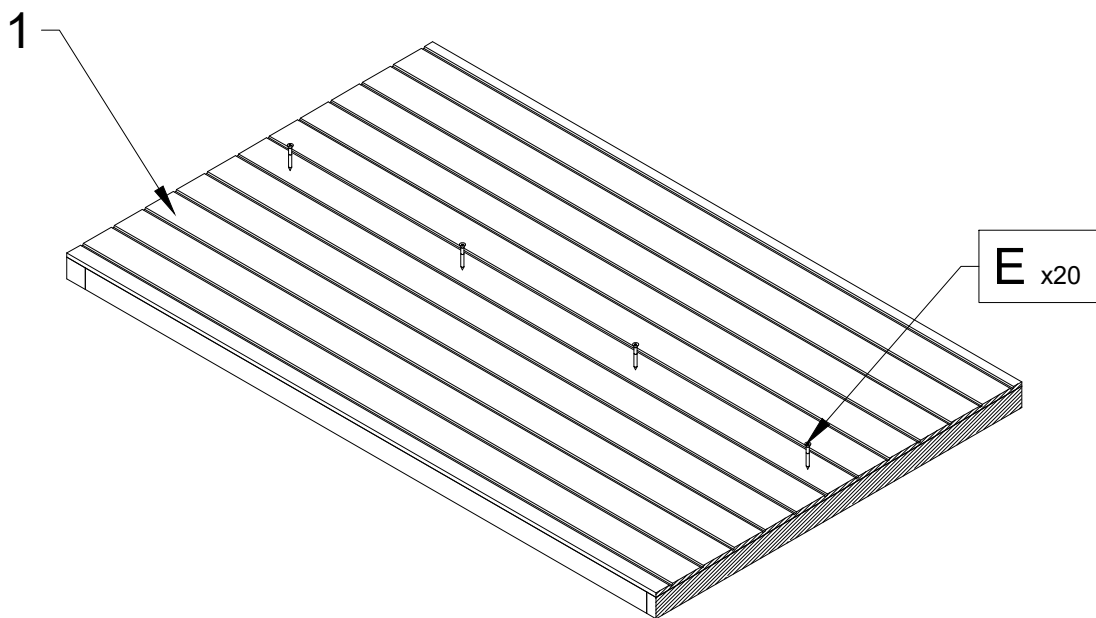
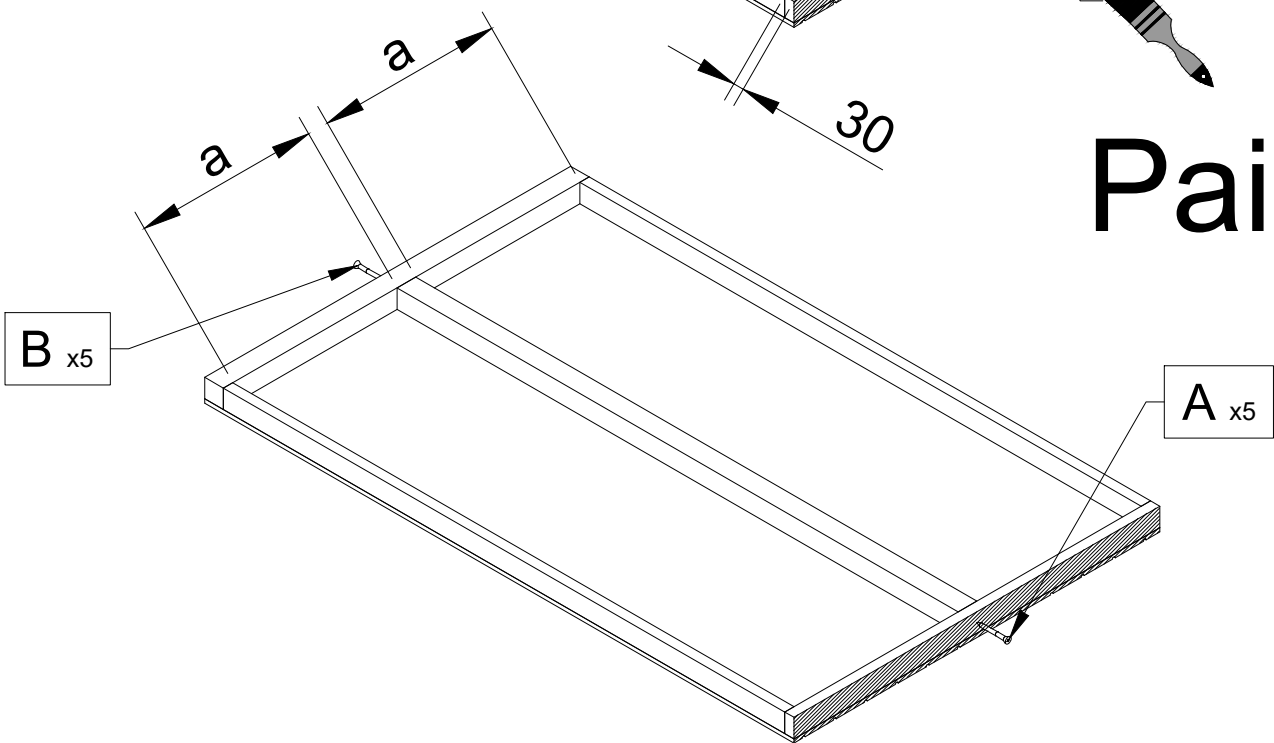
41.2

insulating tape

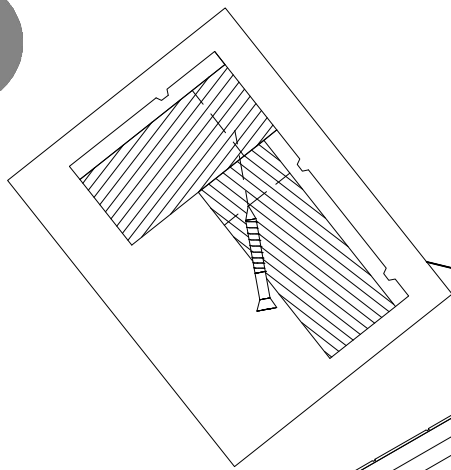
3



Paint

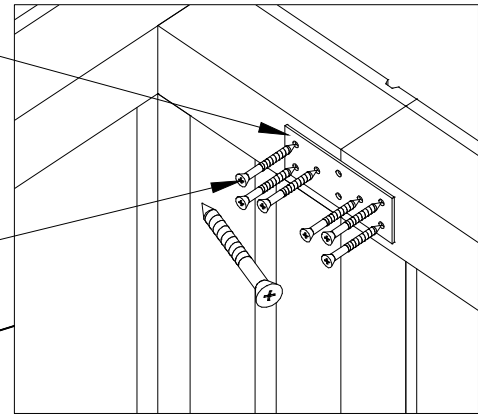


4



44

C x12



C x8

2

3

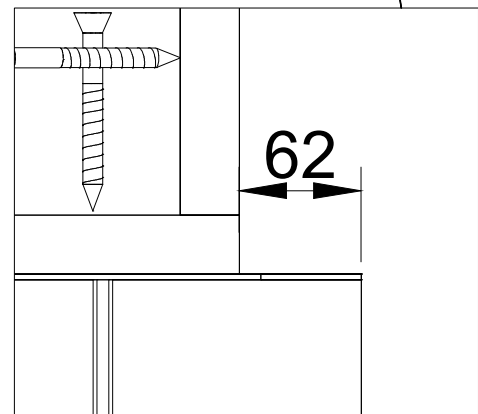
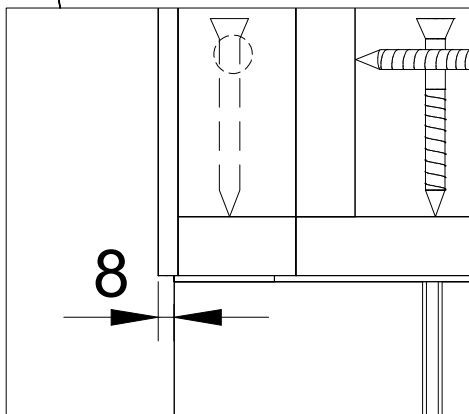
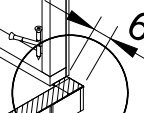
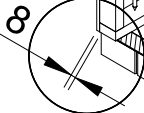
4

12

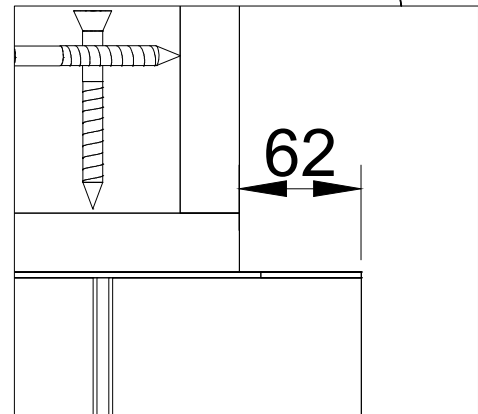
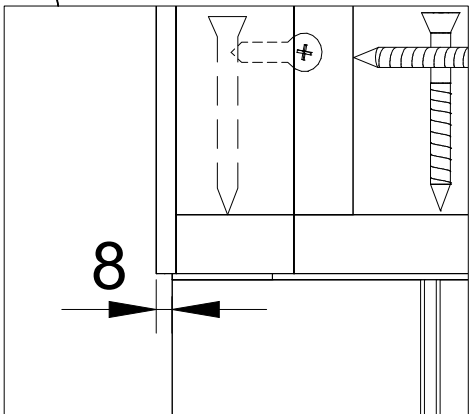
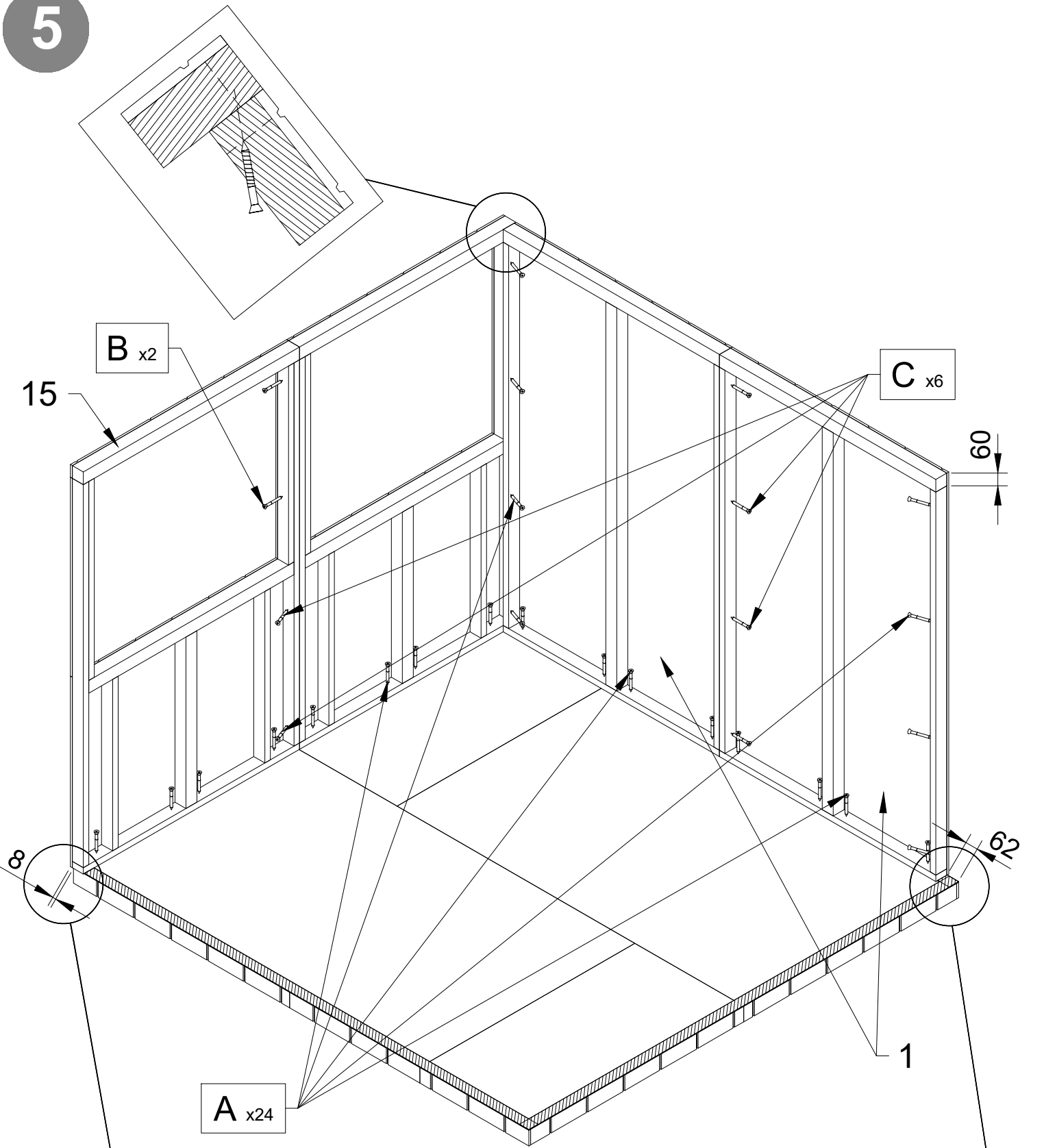
60

62

A x25

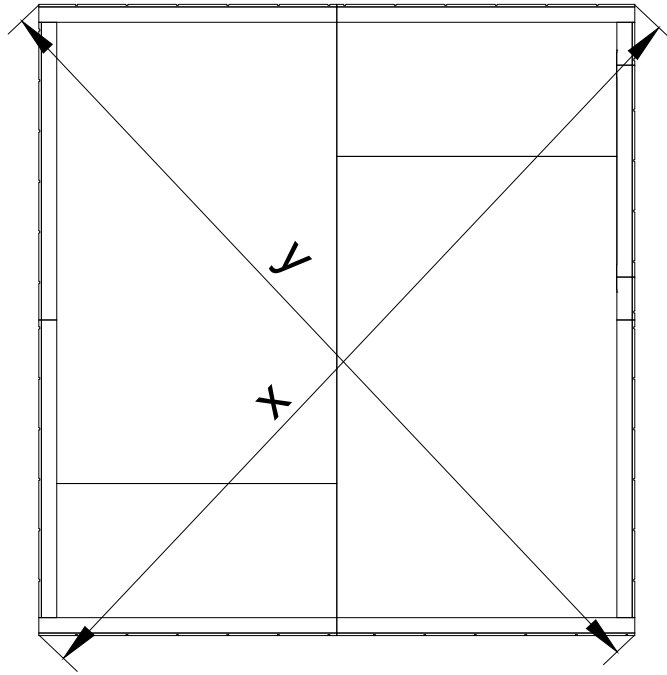


5

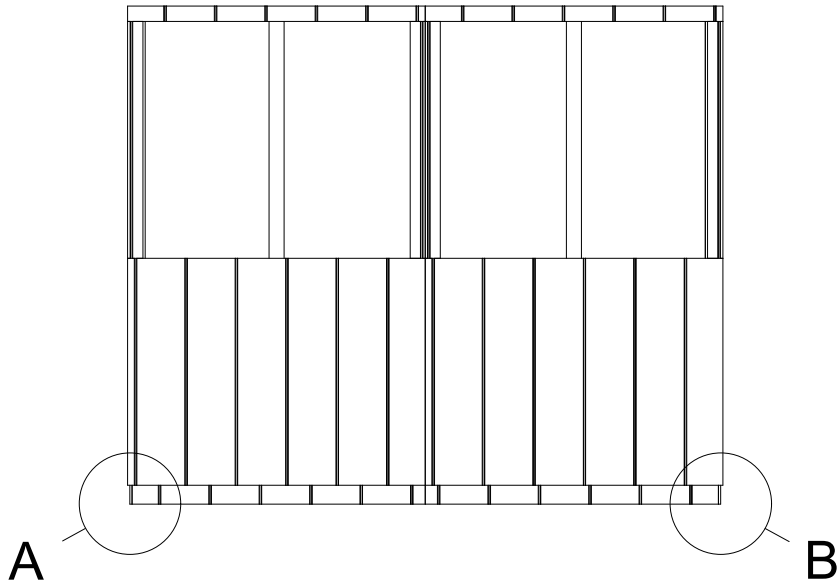
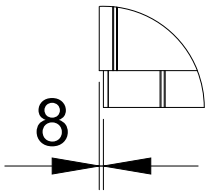


6

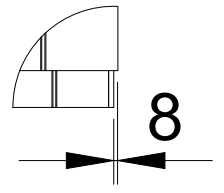
$x=y$



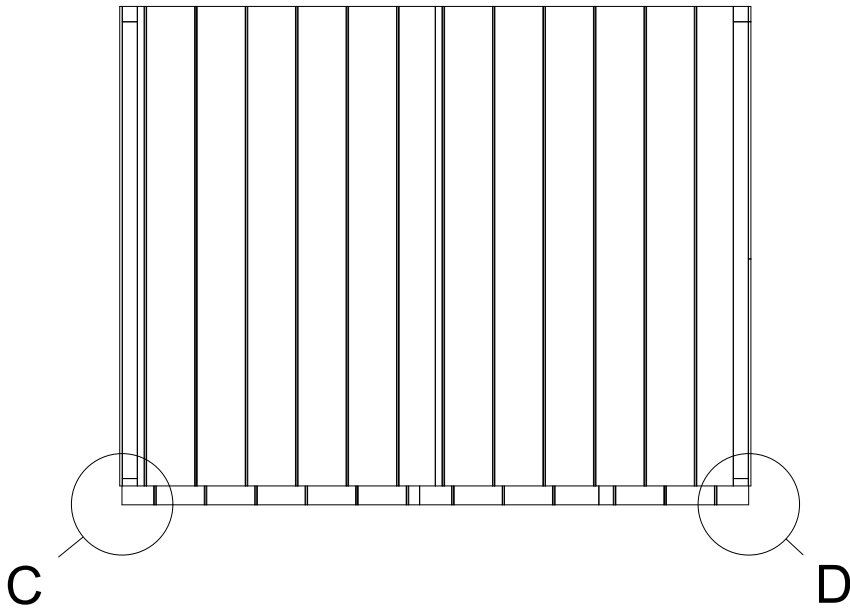
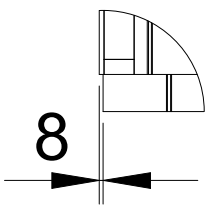
Det A



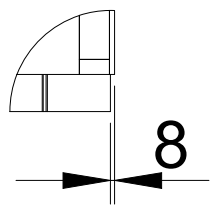
Det B



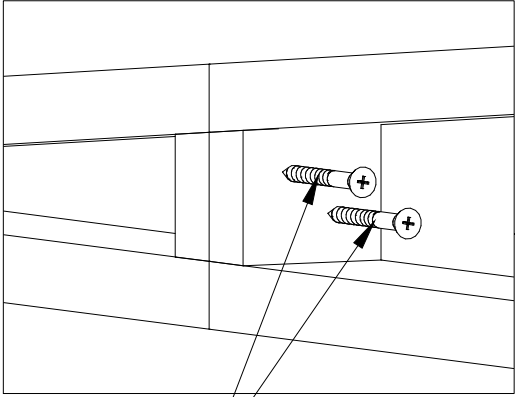
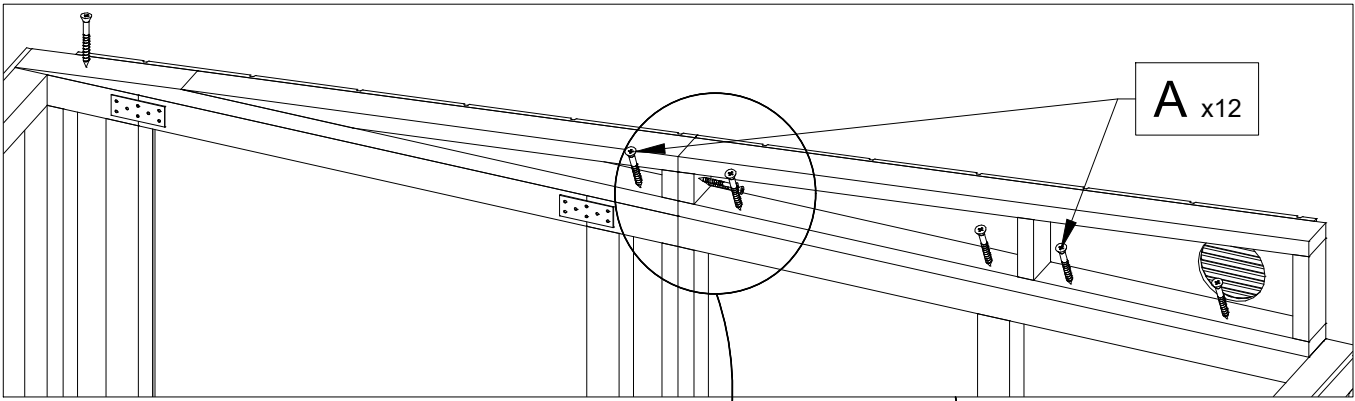
Det C



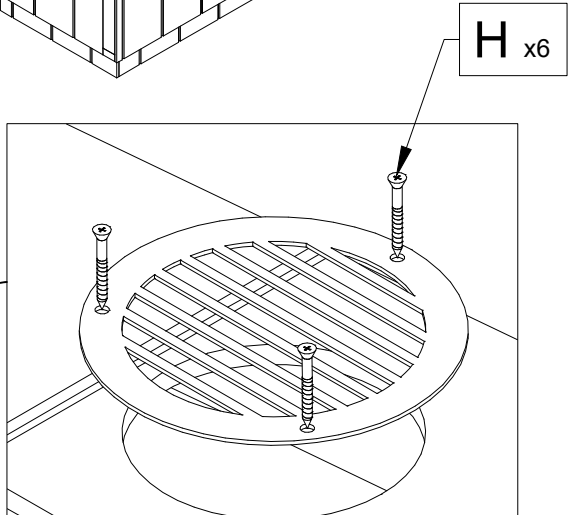
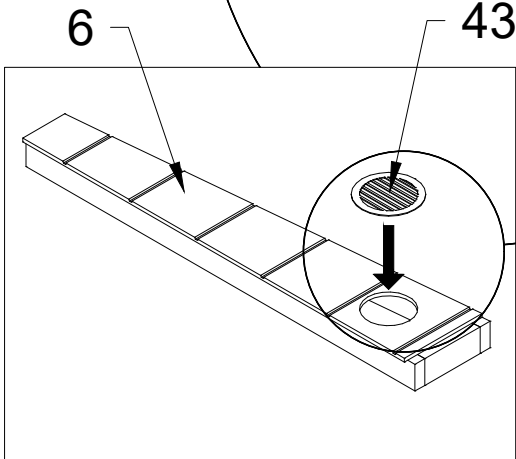
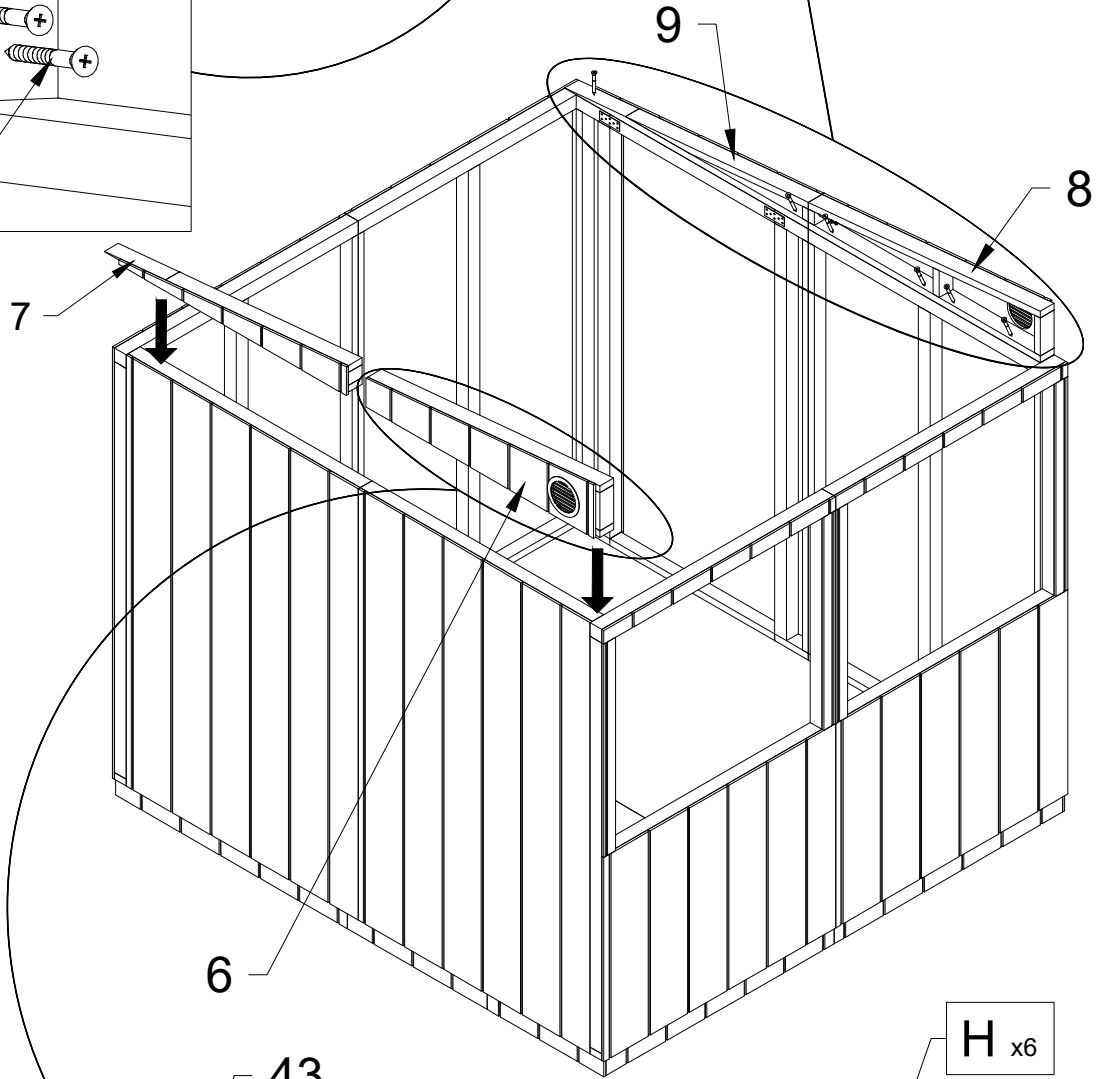
Det D



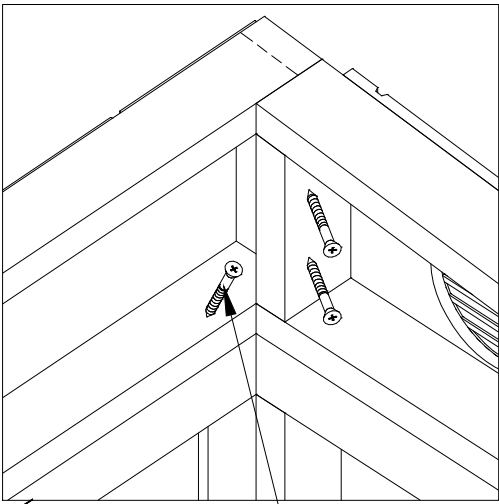
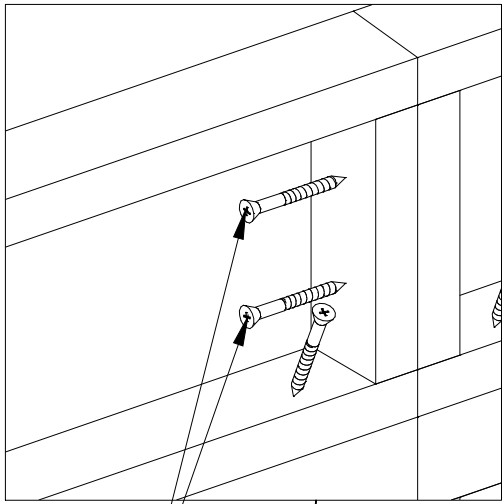
7



C x4



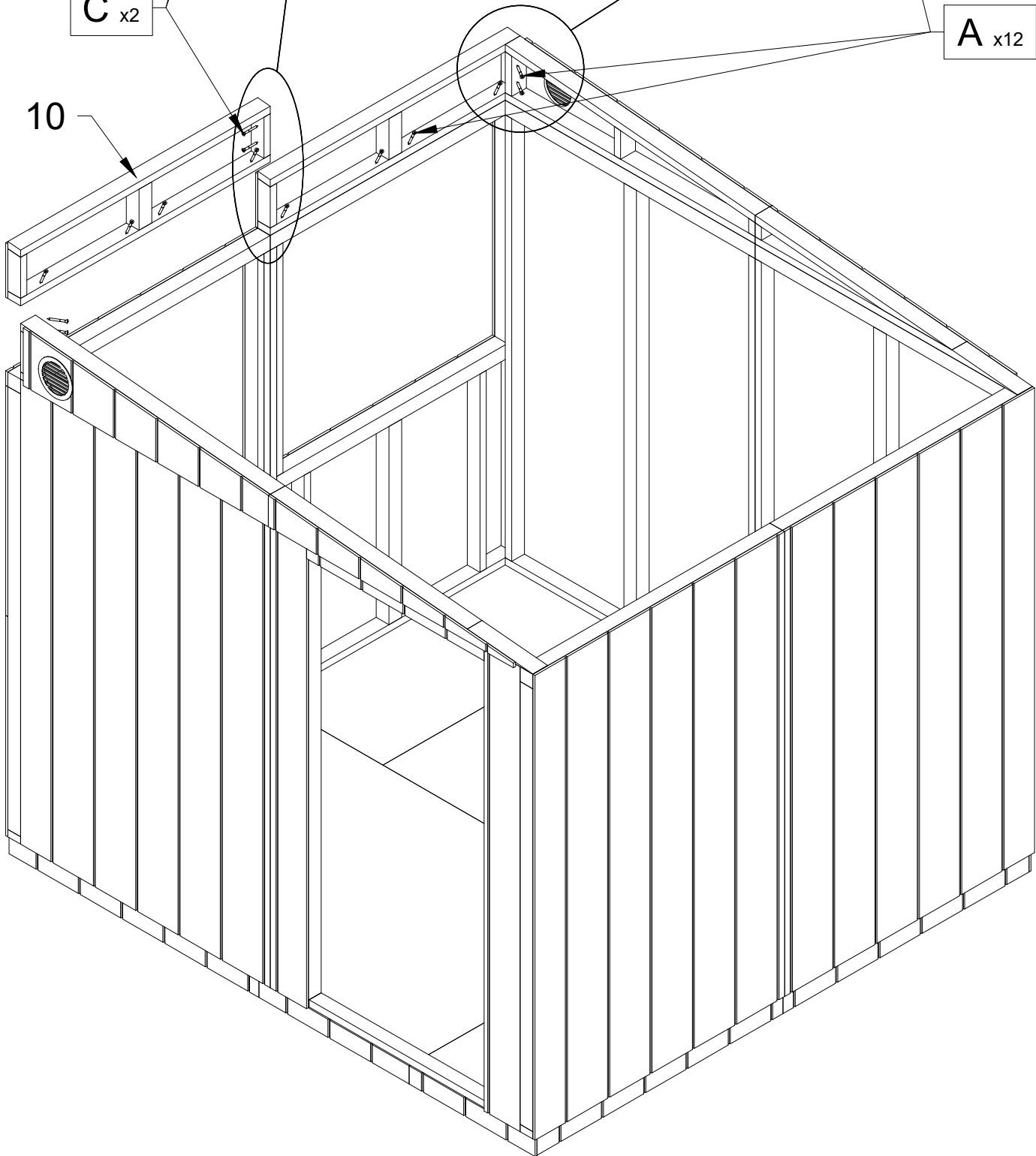
8



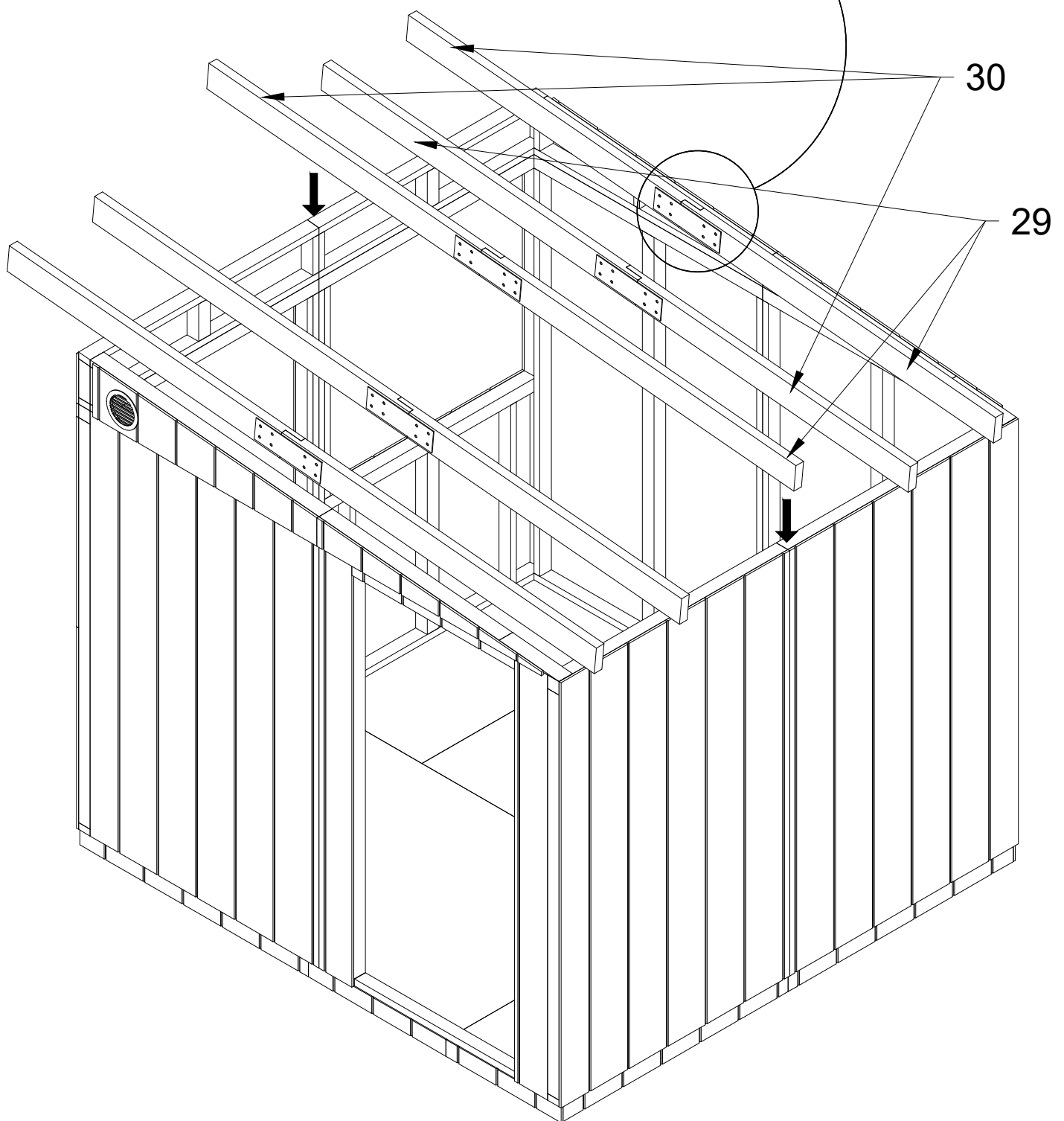
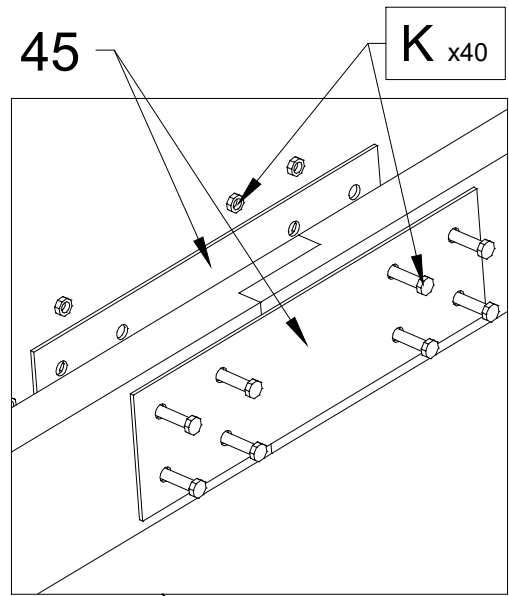
C x2

A x12

10

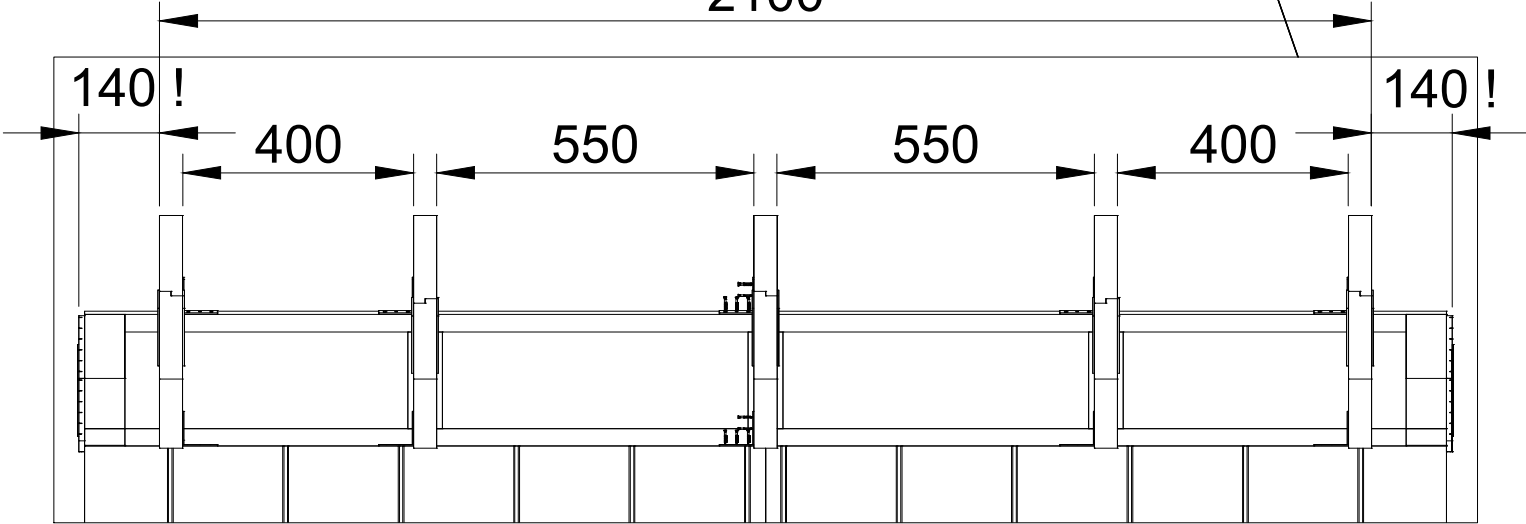
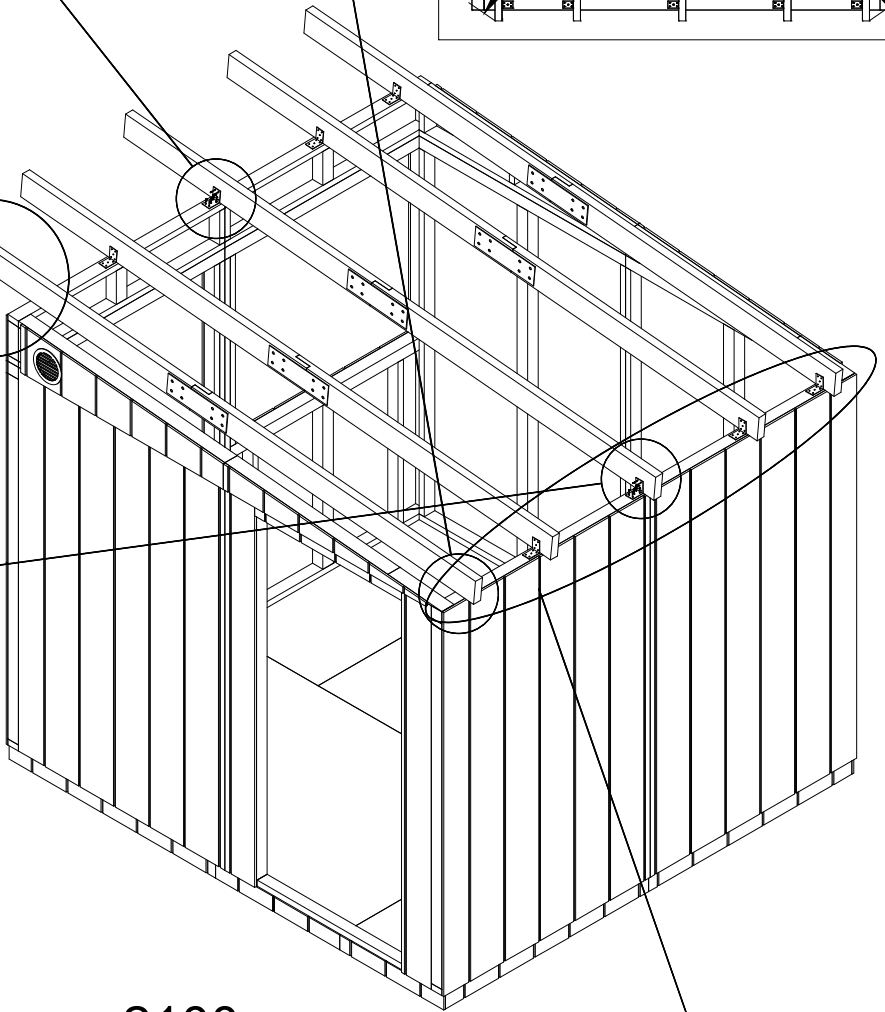
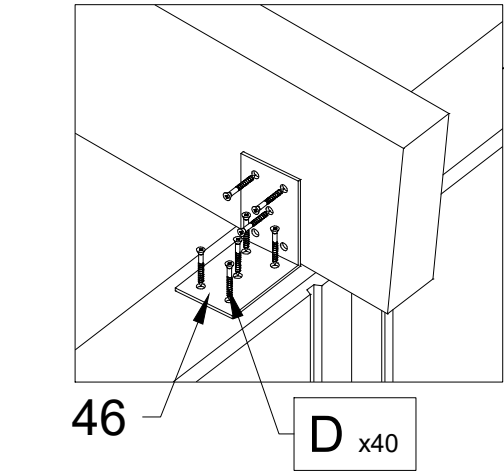
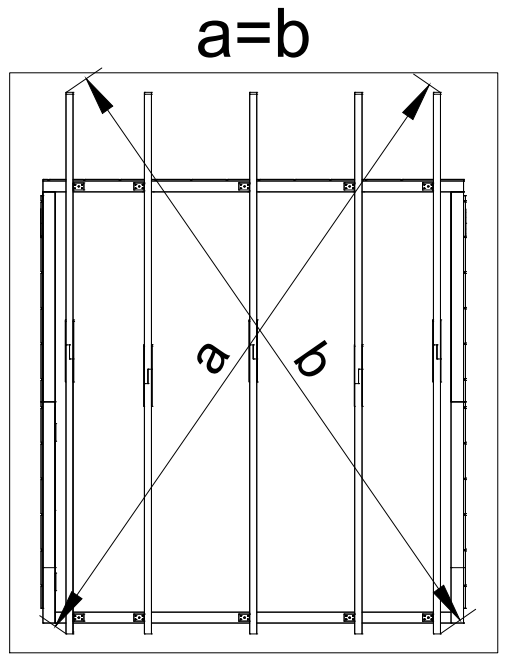
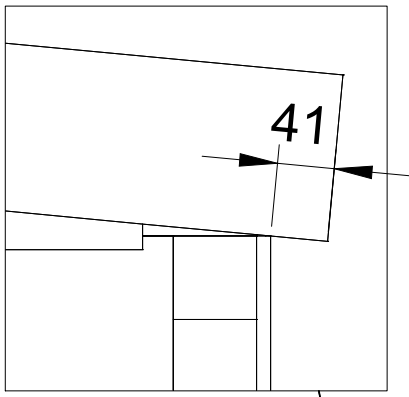
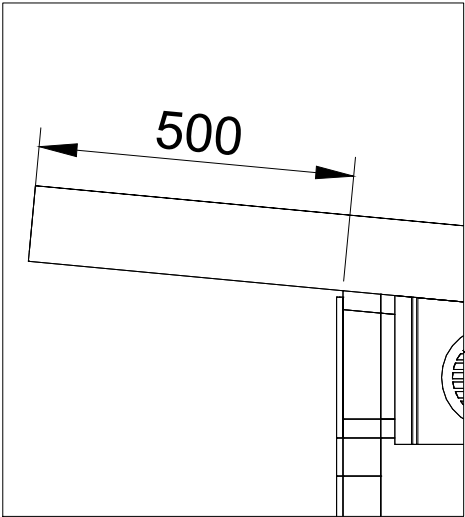


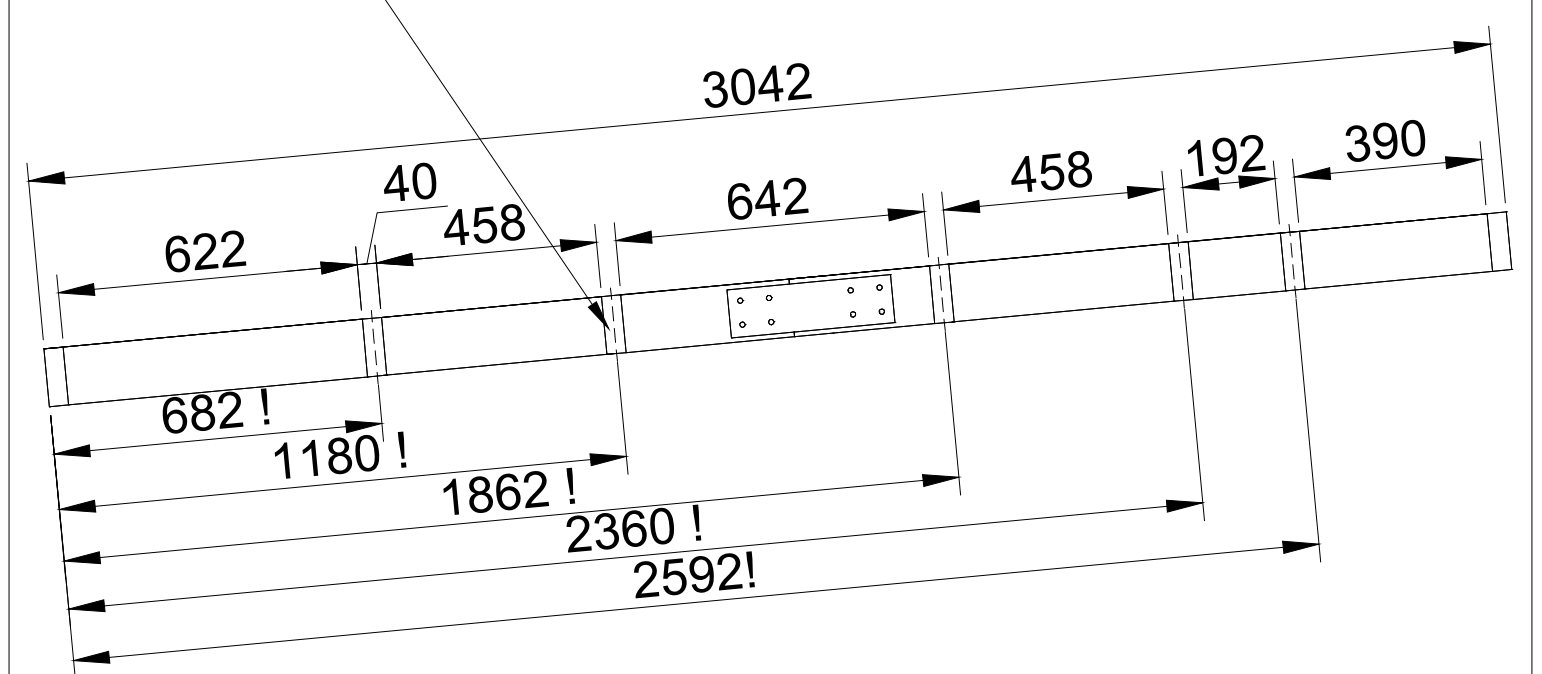
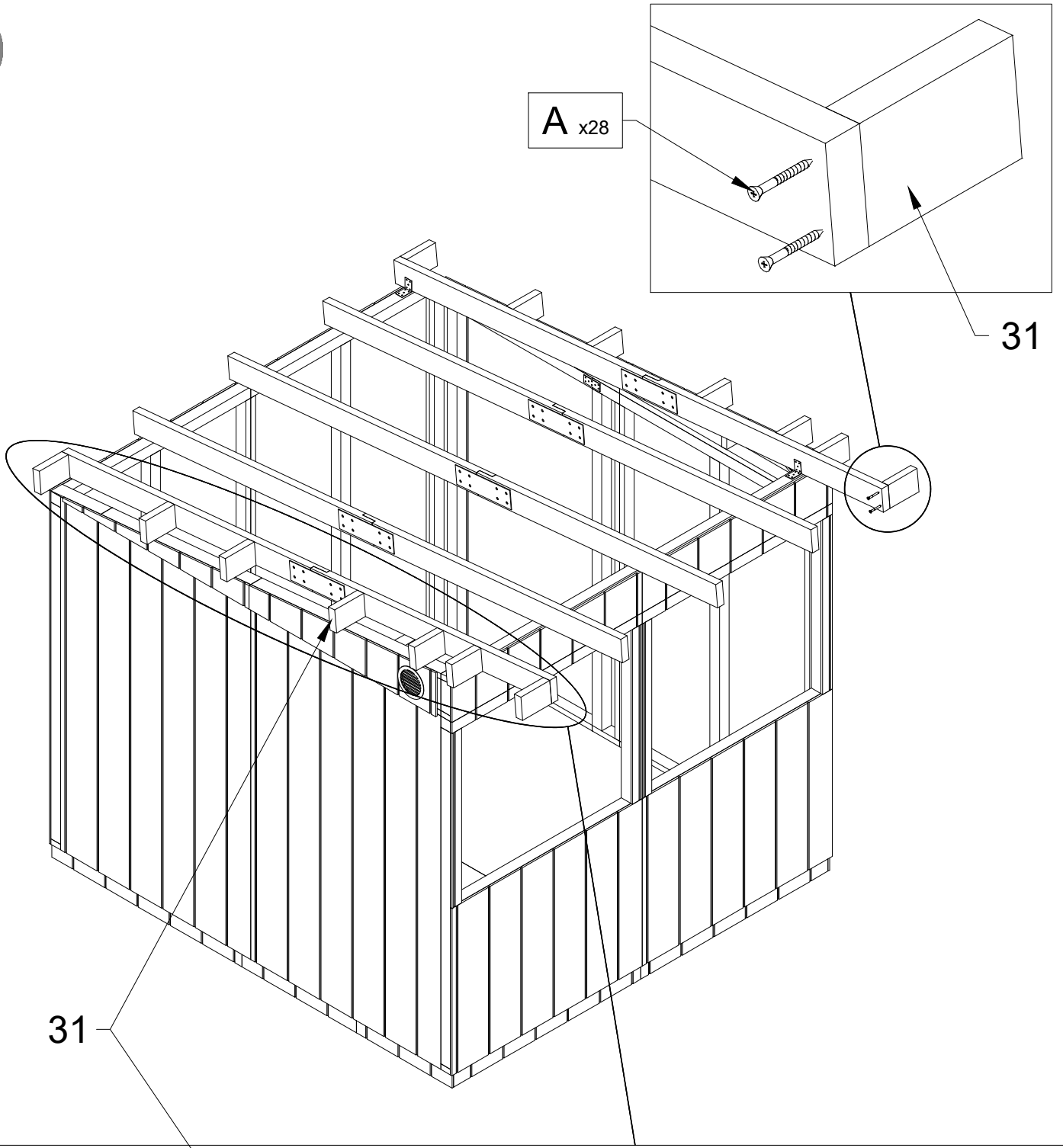
9

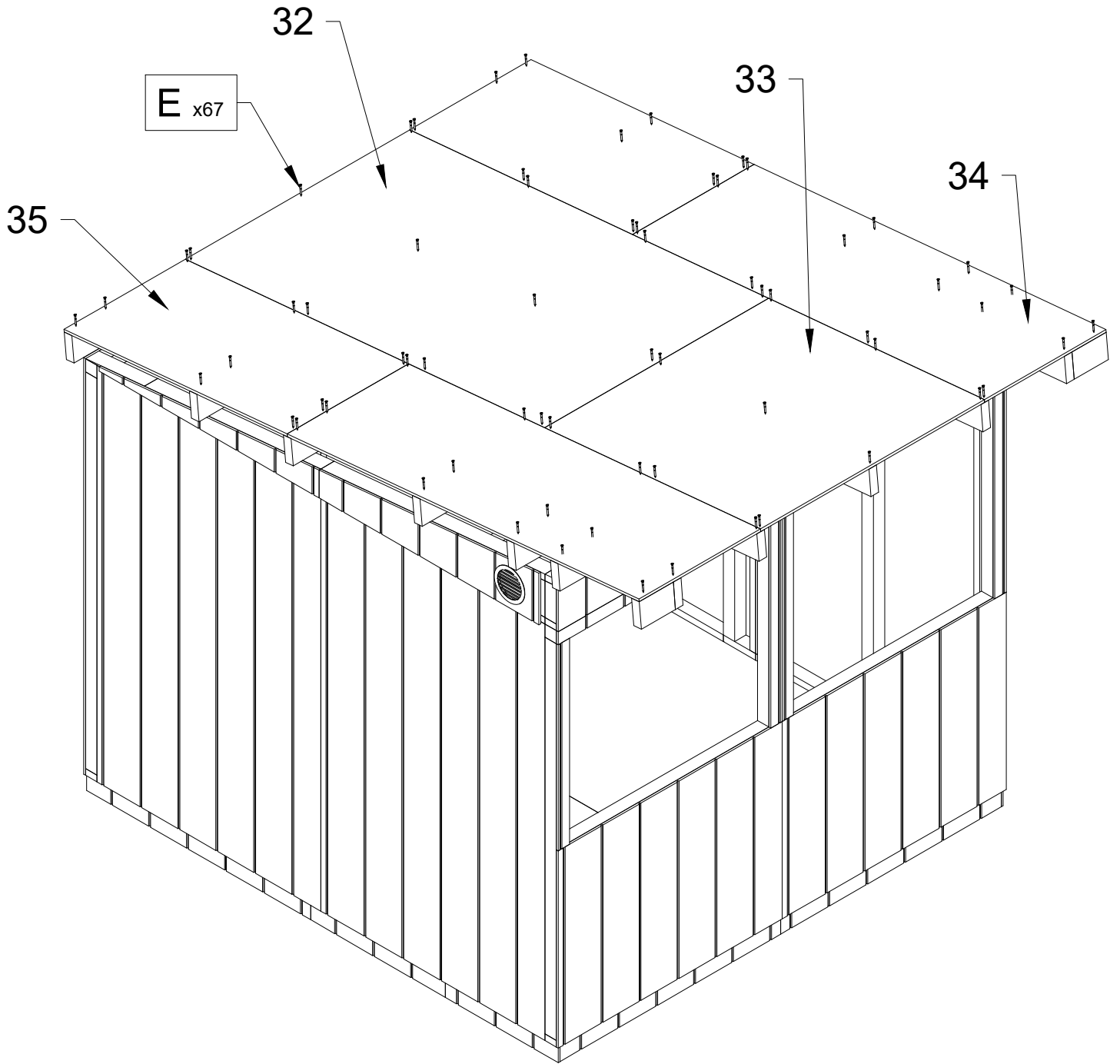


10

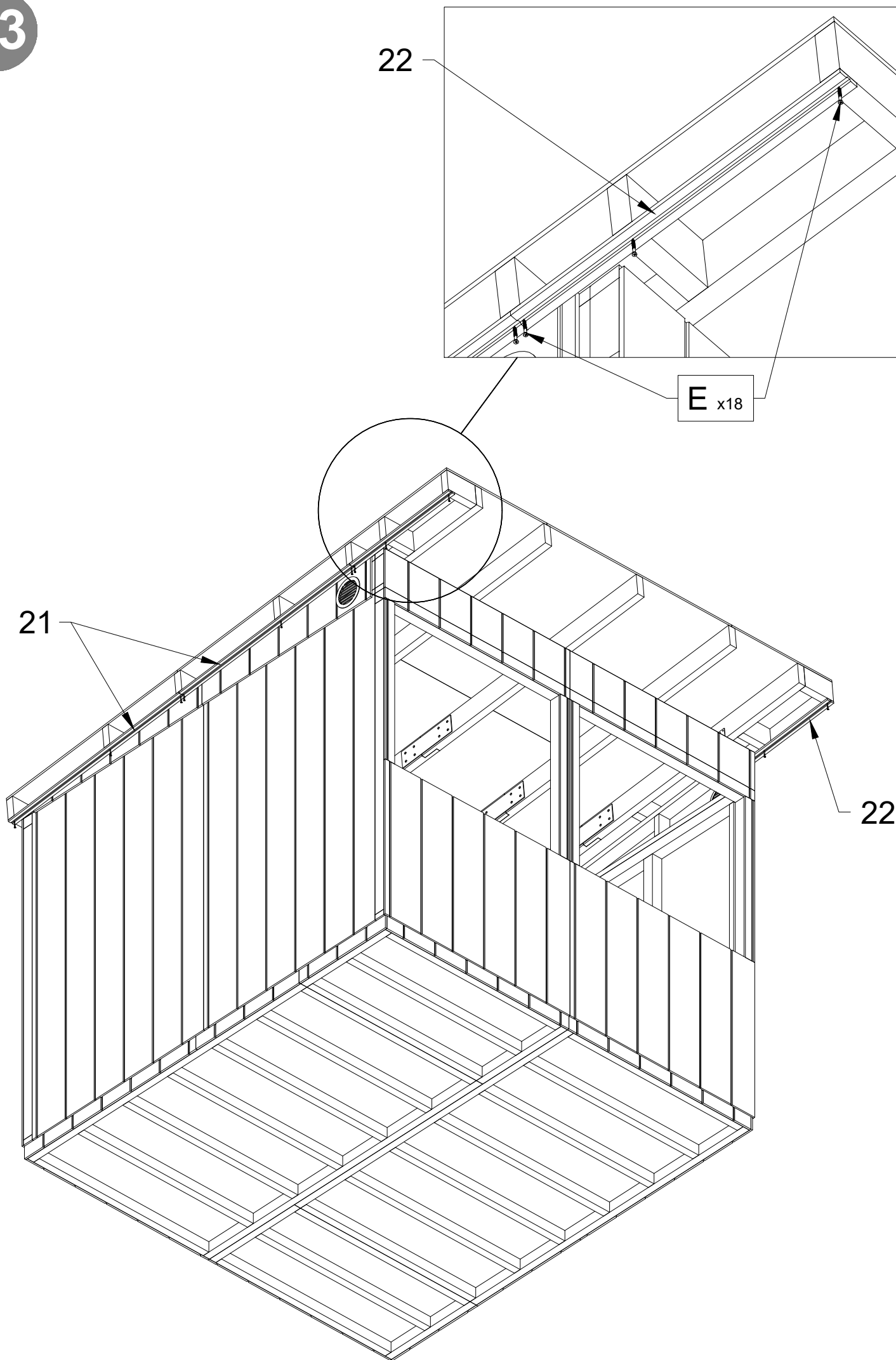
D x40

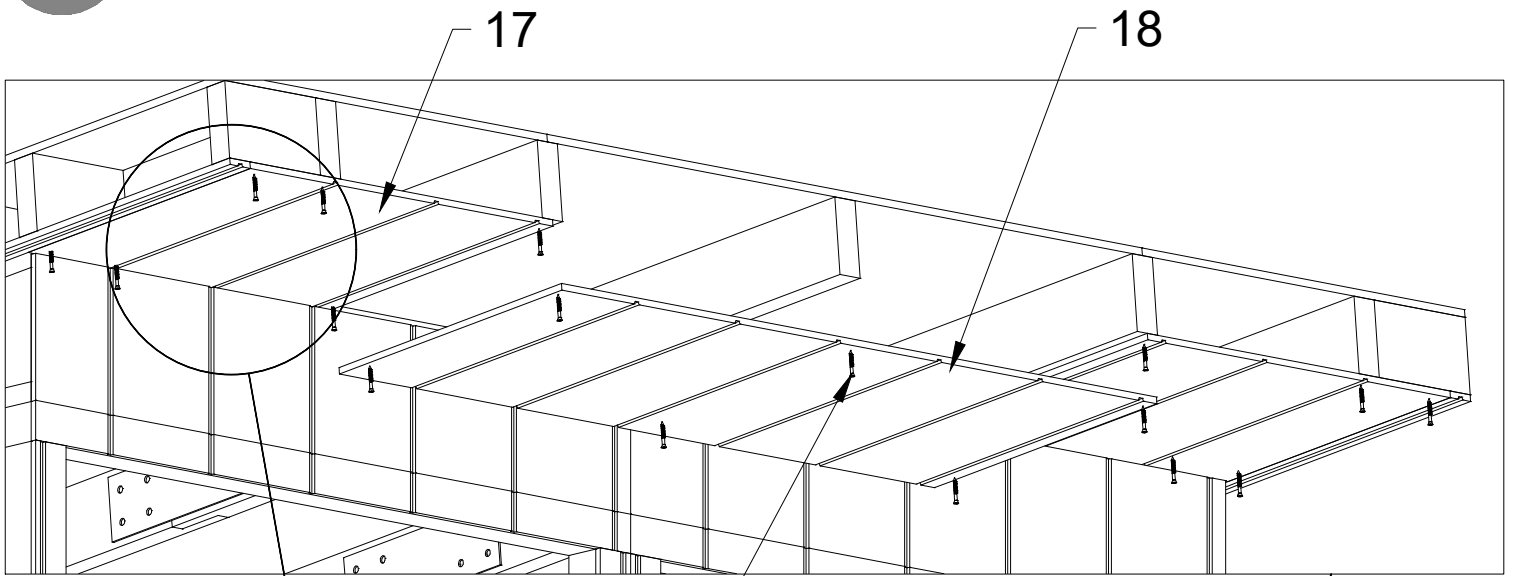




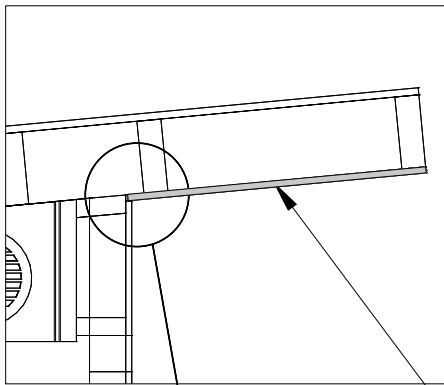
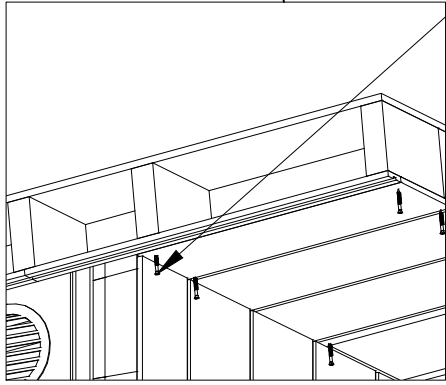


13

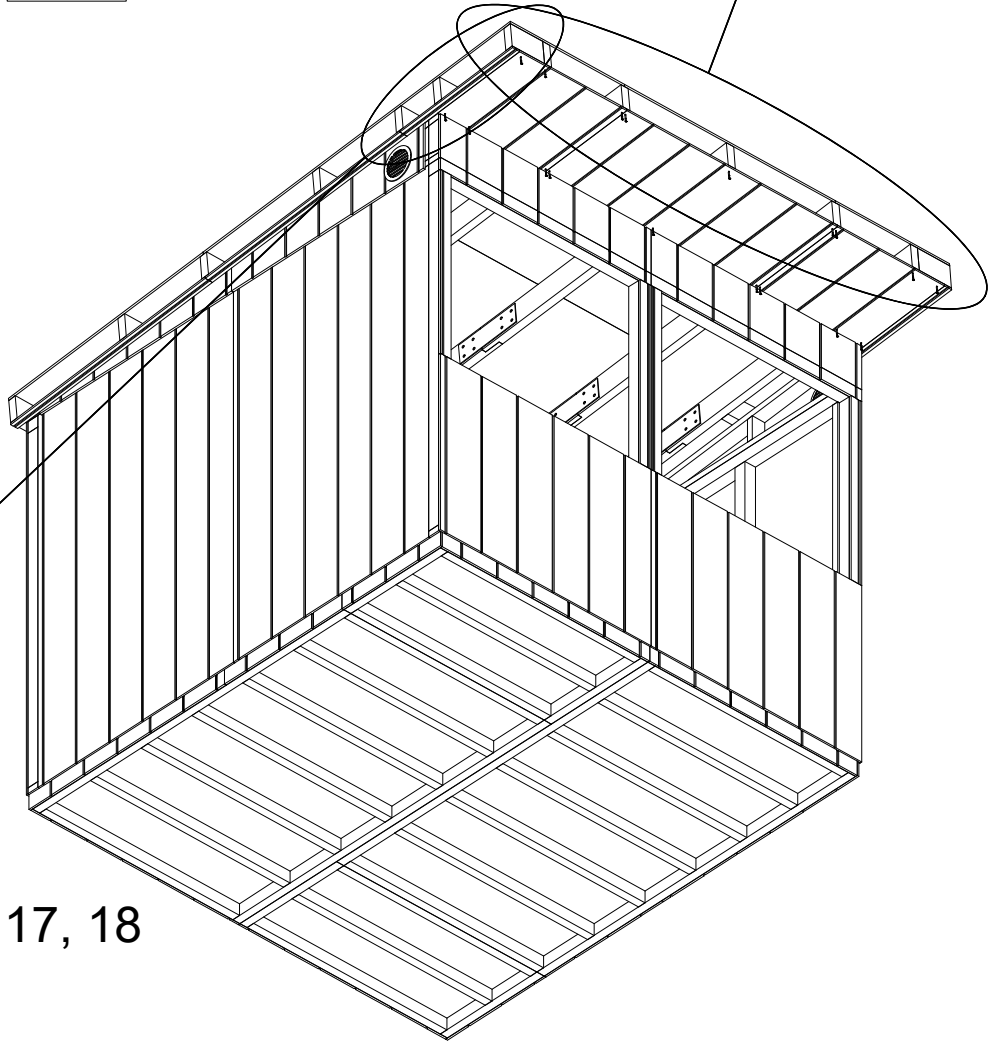
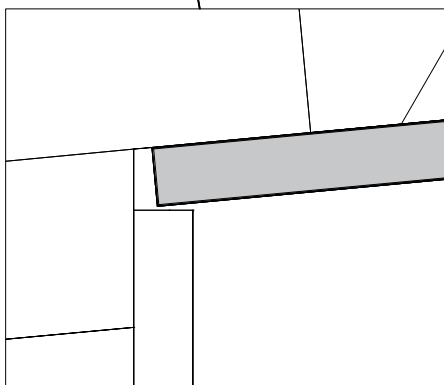


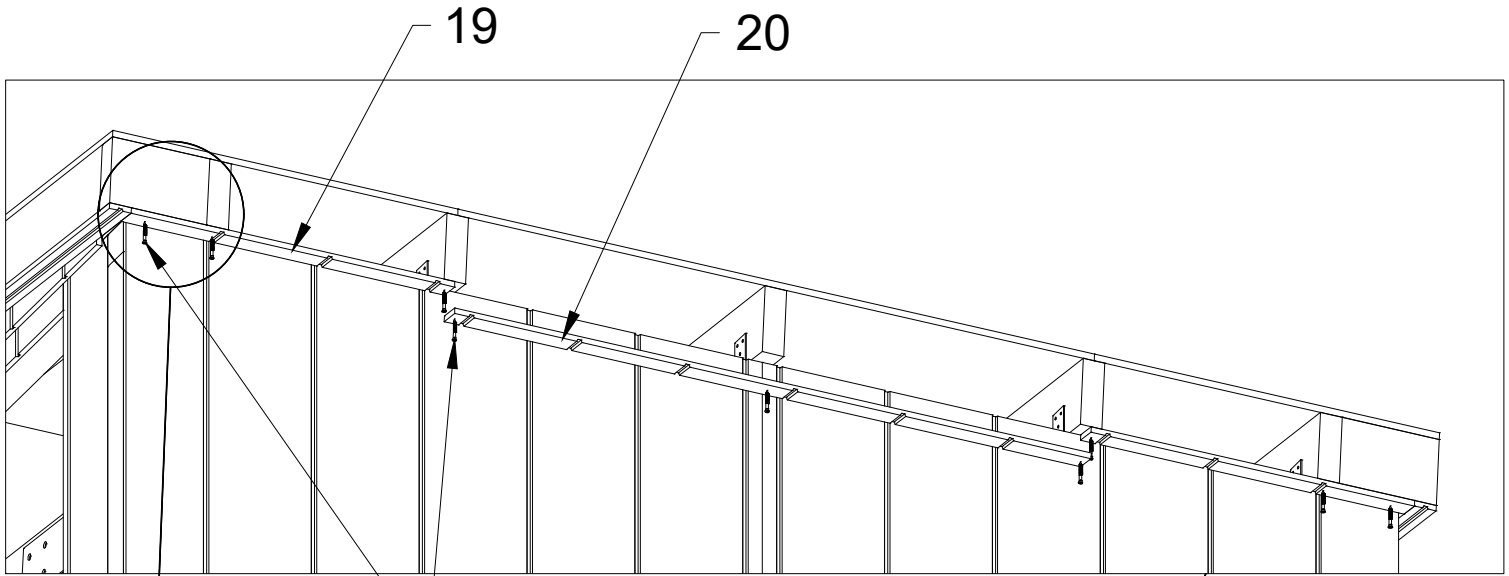


E x18

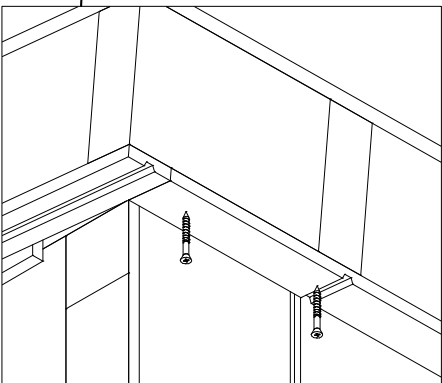
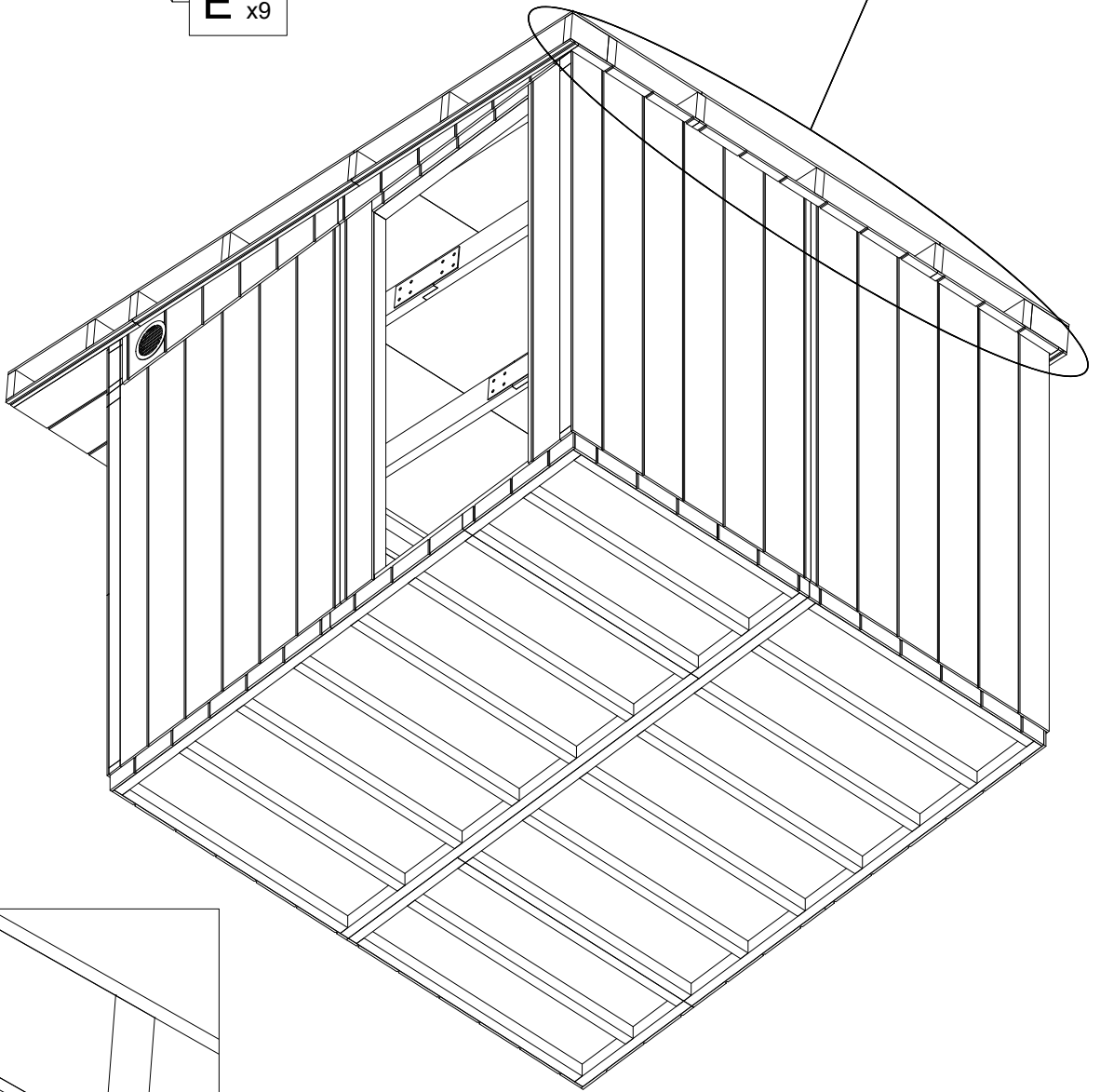


17, 18

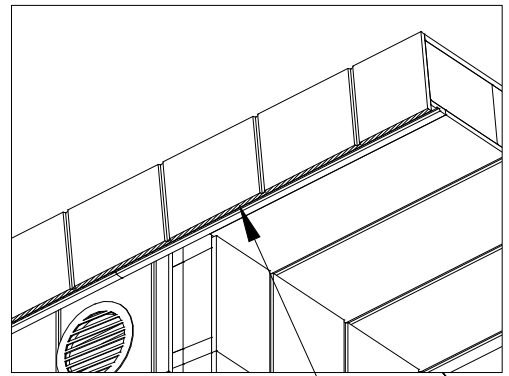
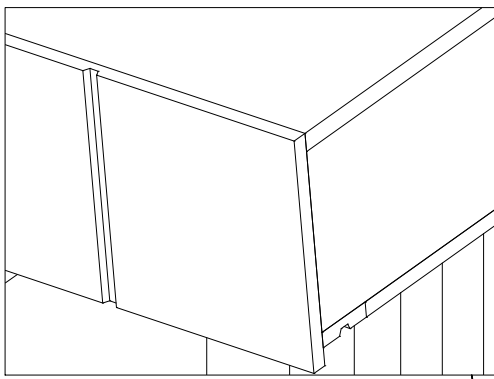




E x9



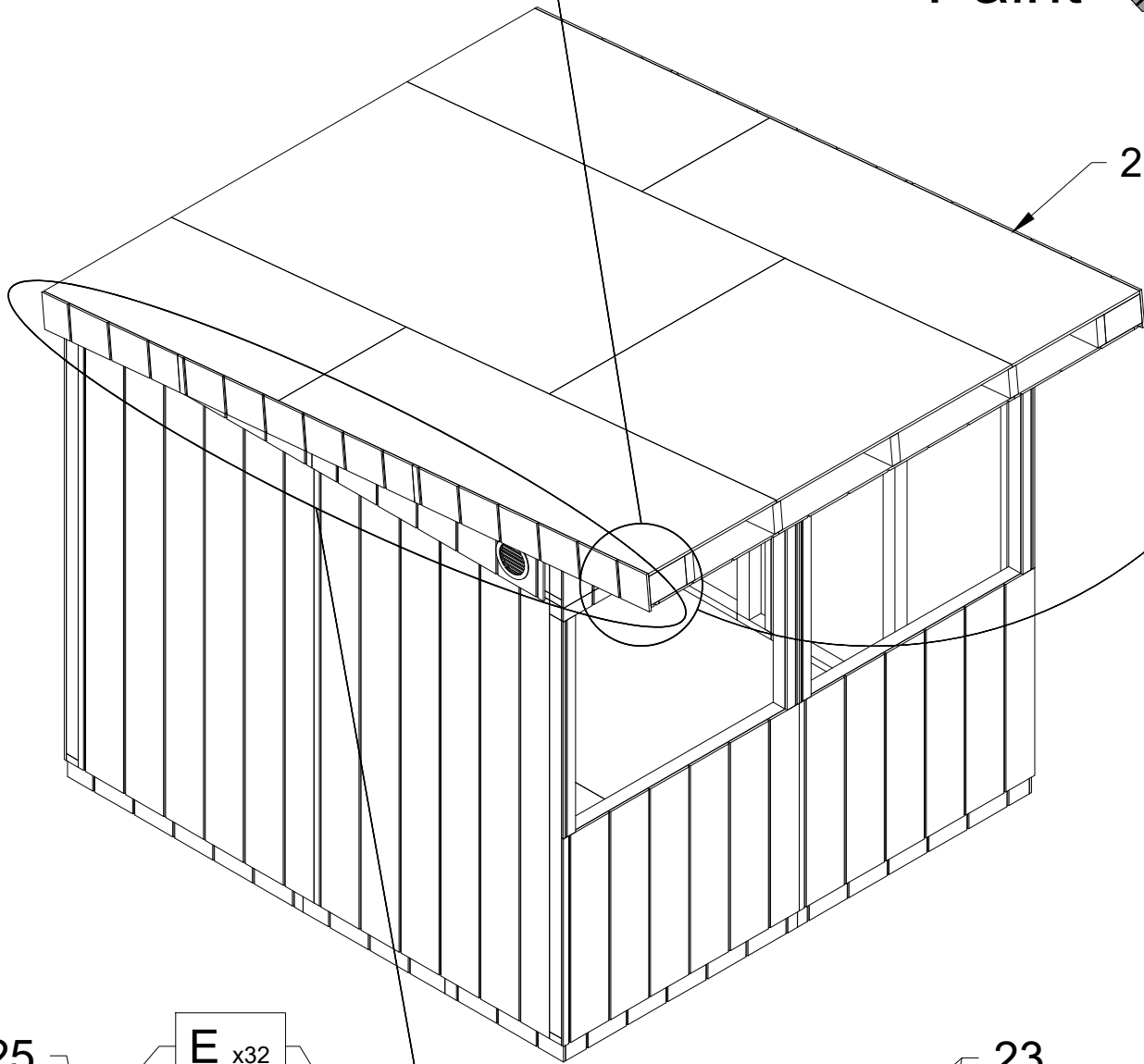
16



Paint



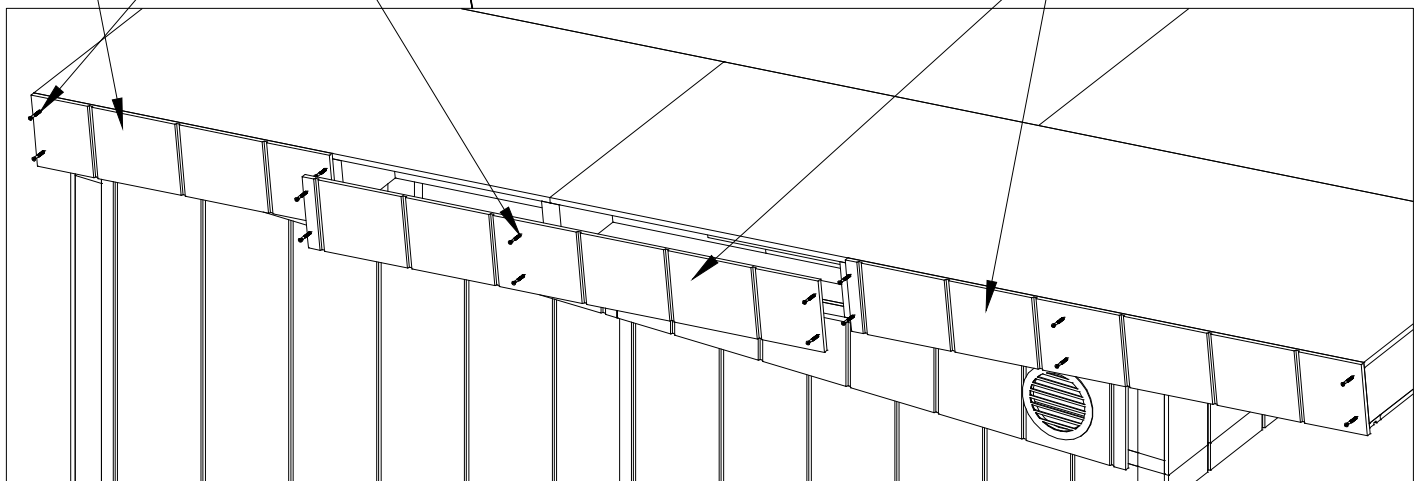
23



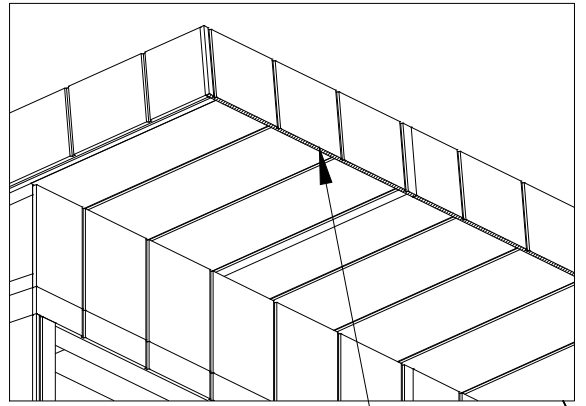
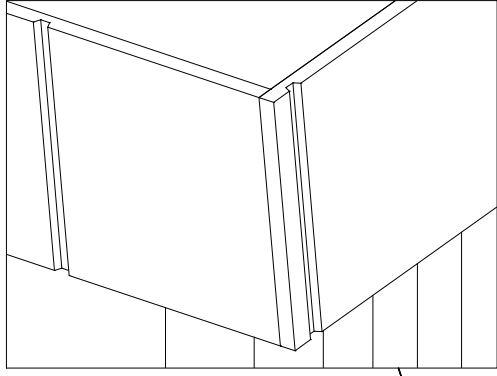
25

E x32

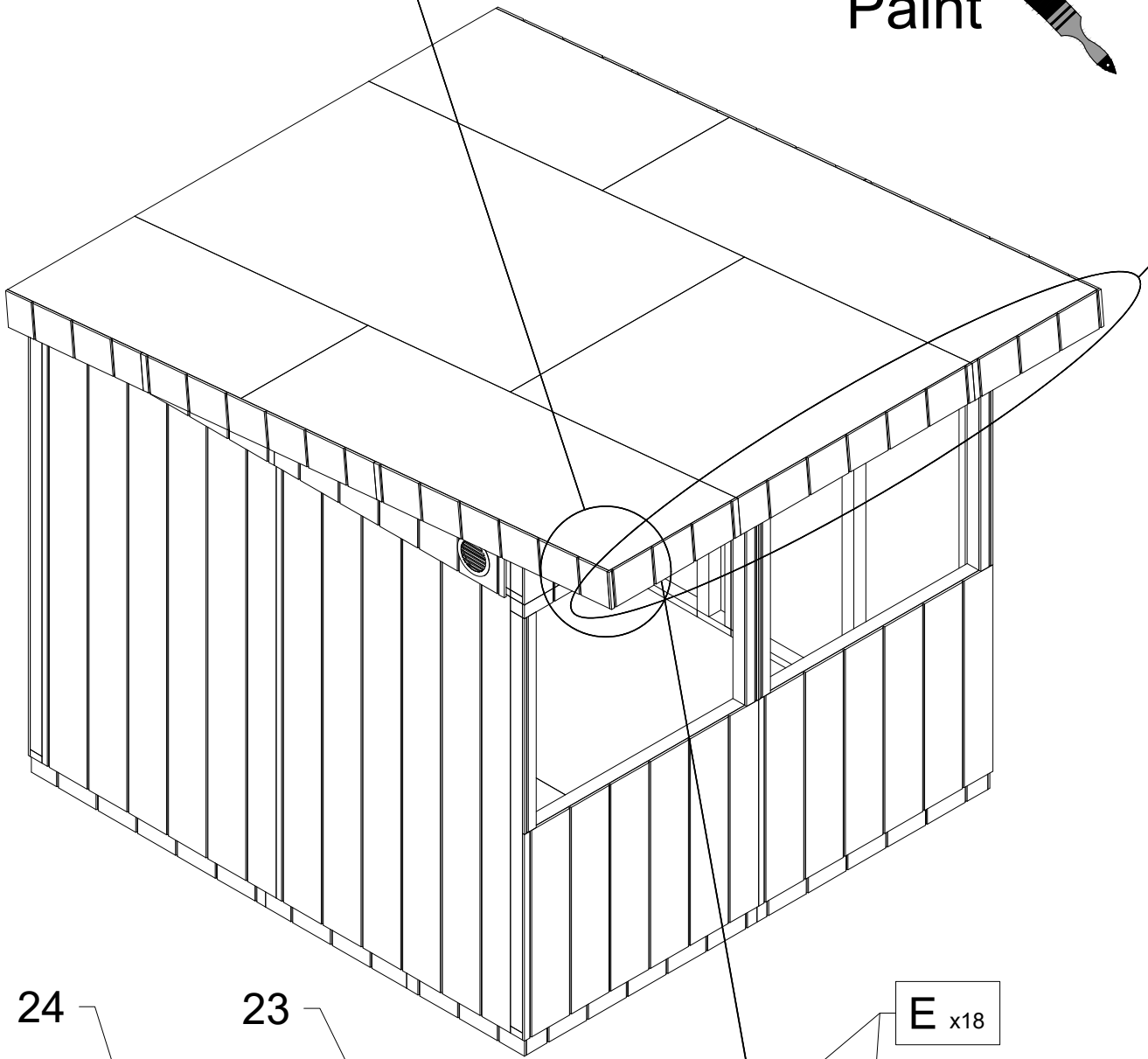
23



17



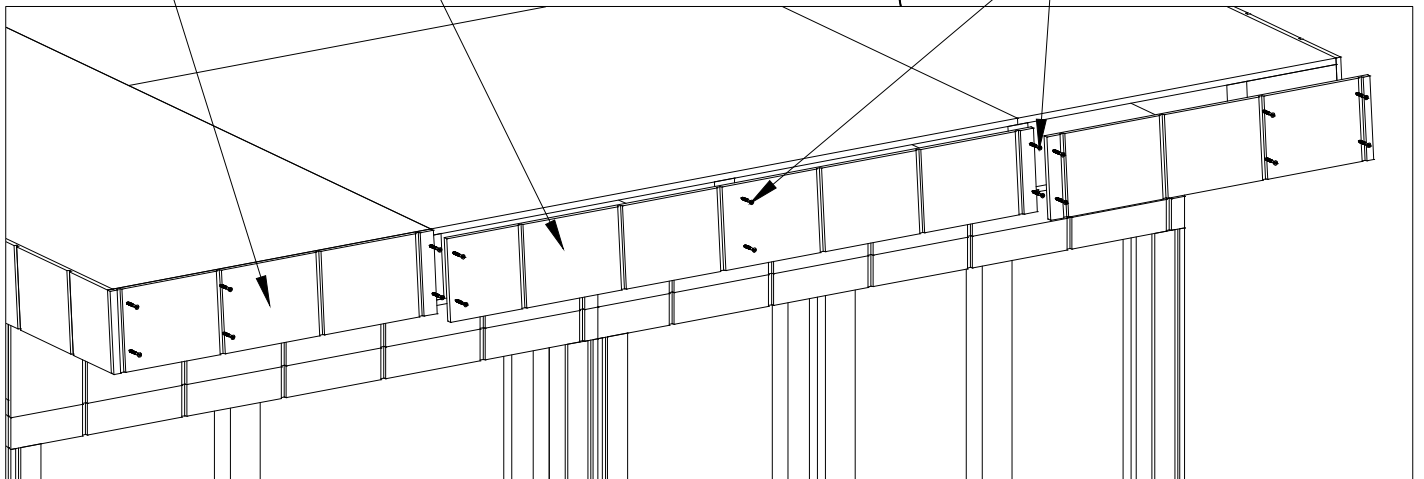
Paint 



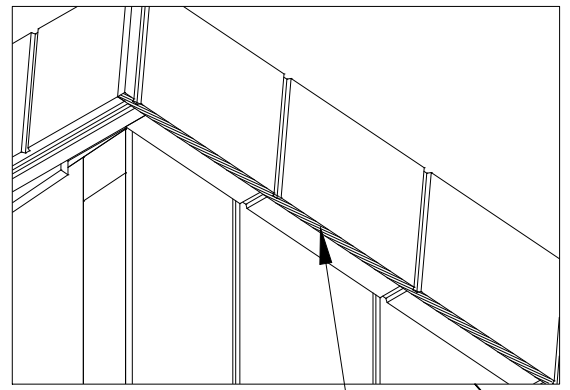
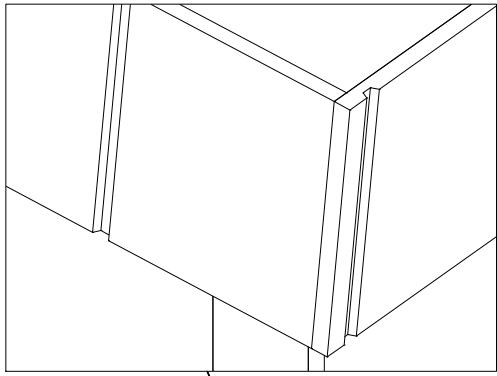
24

23

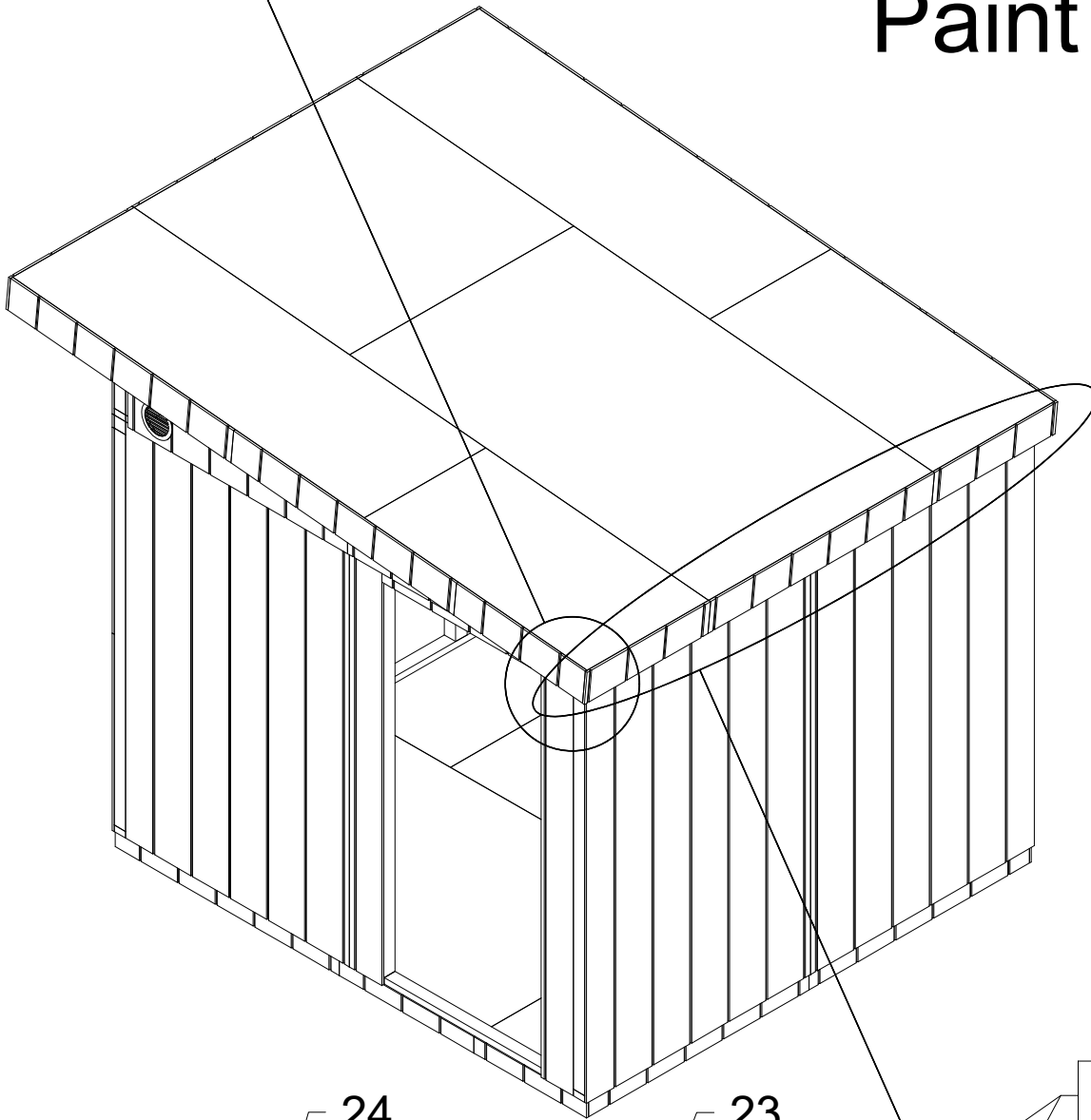
E x18



18



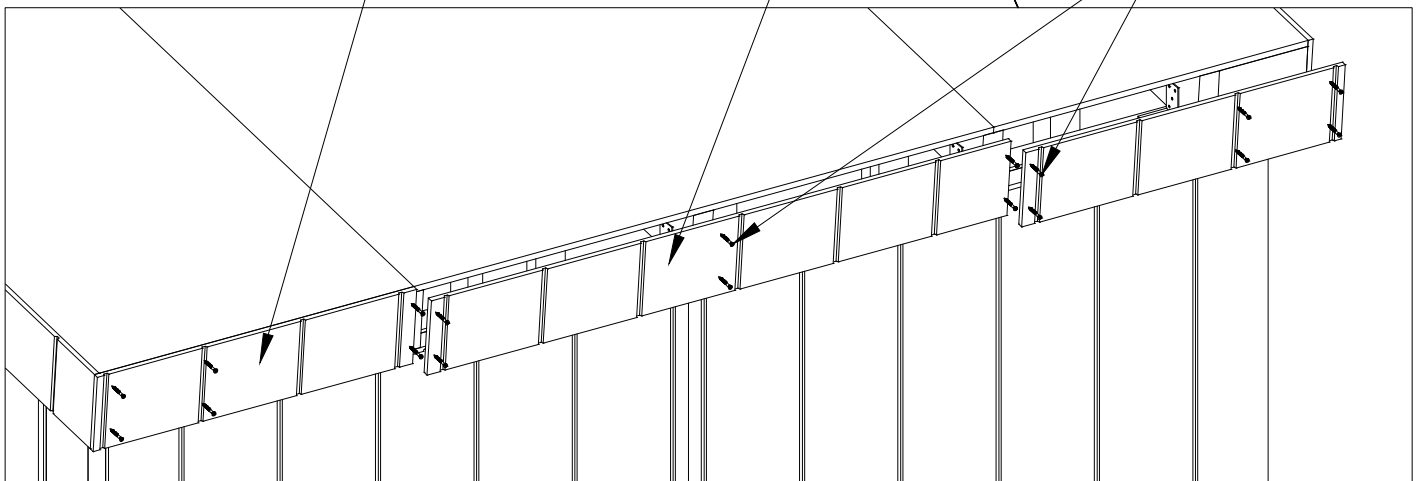
Paint



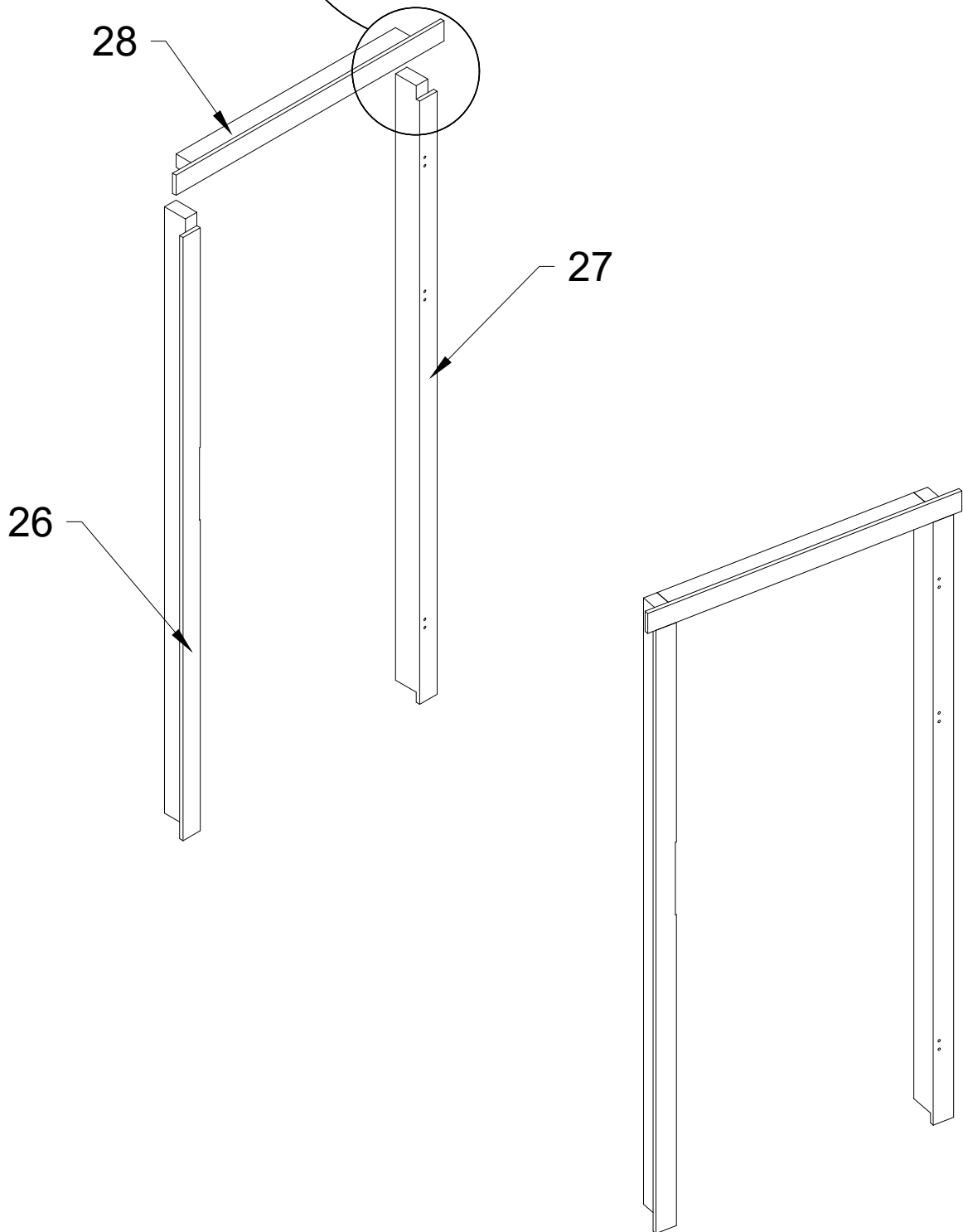
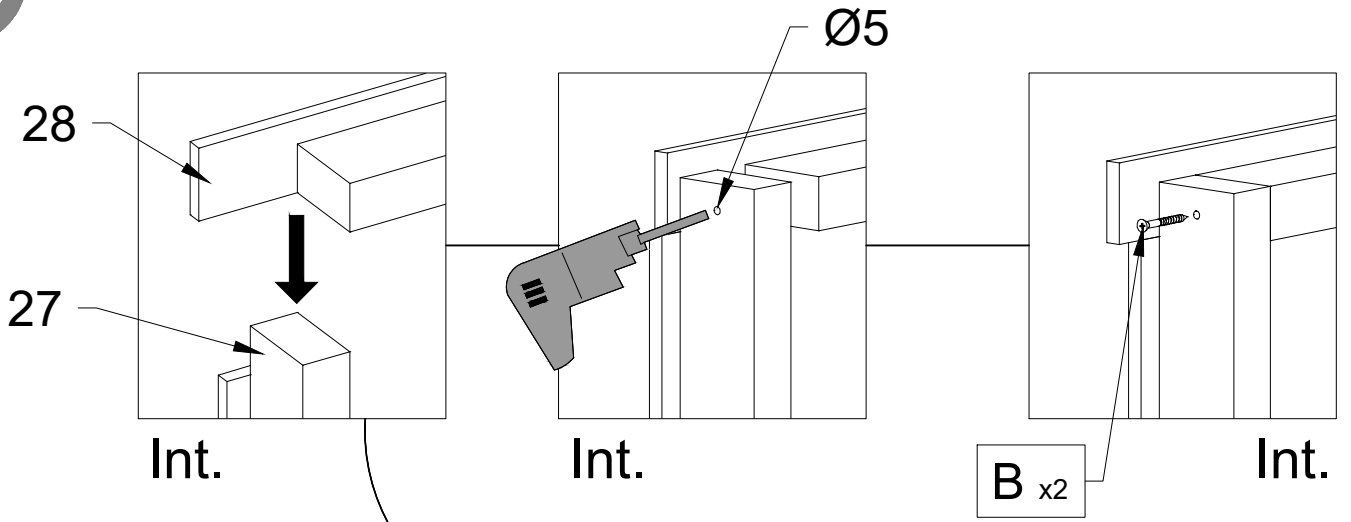
24

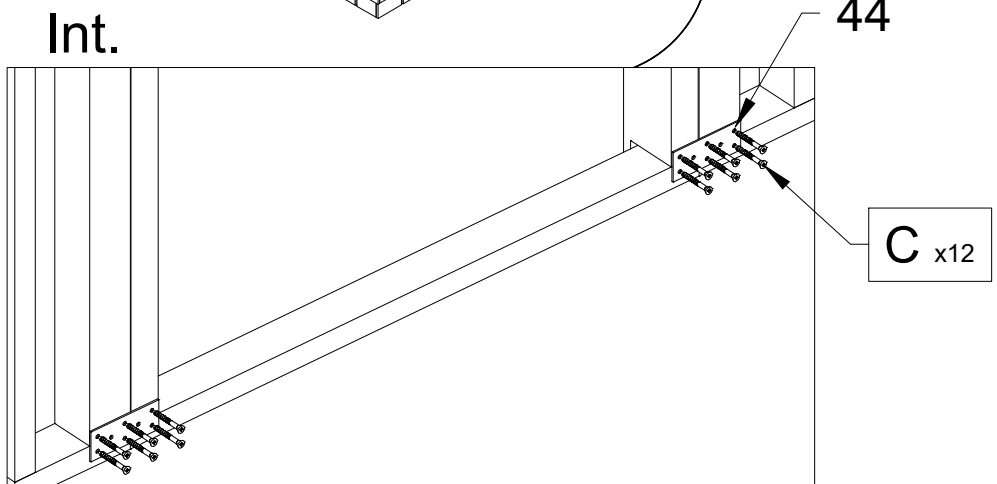
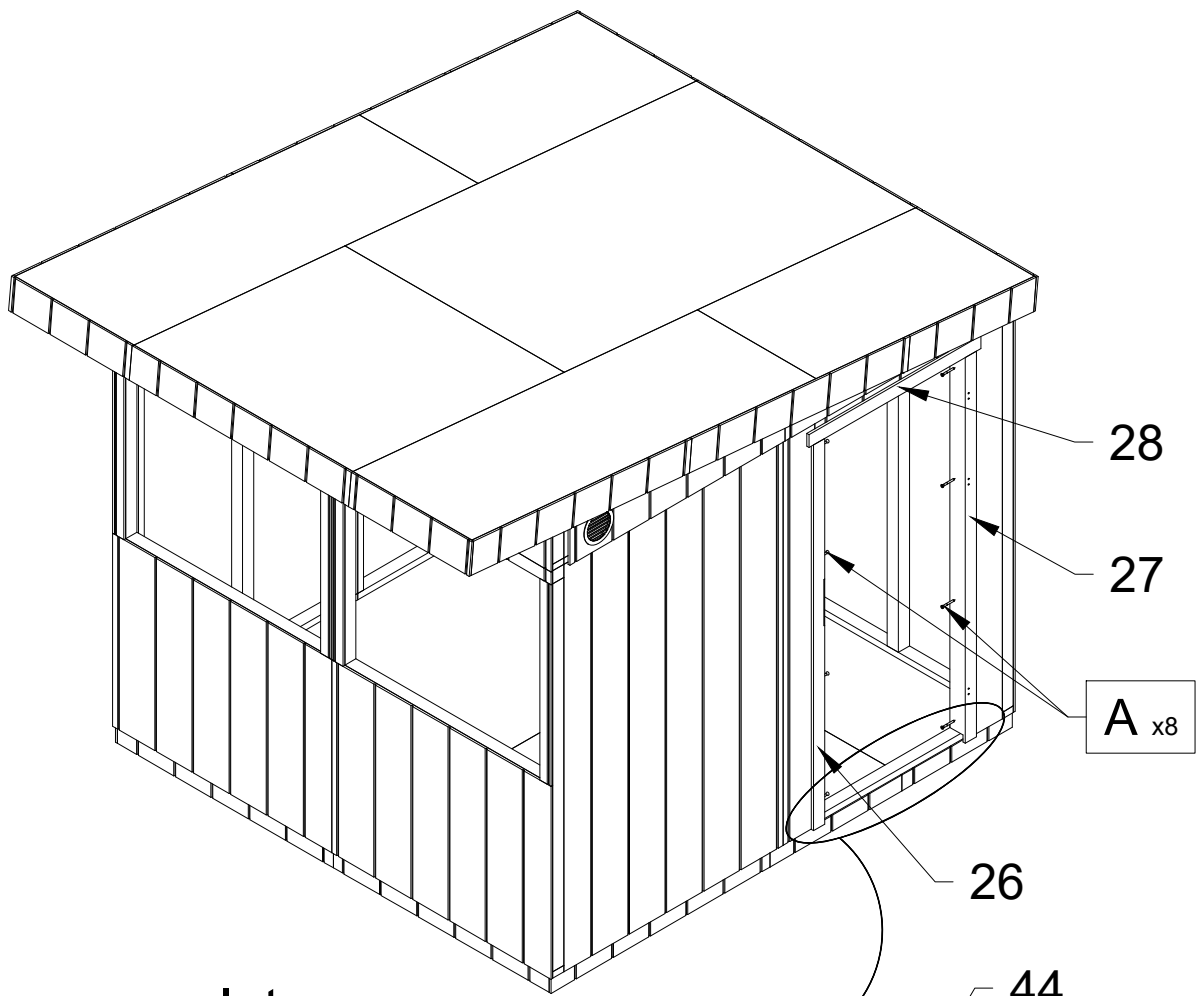
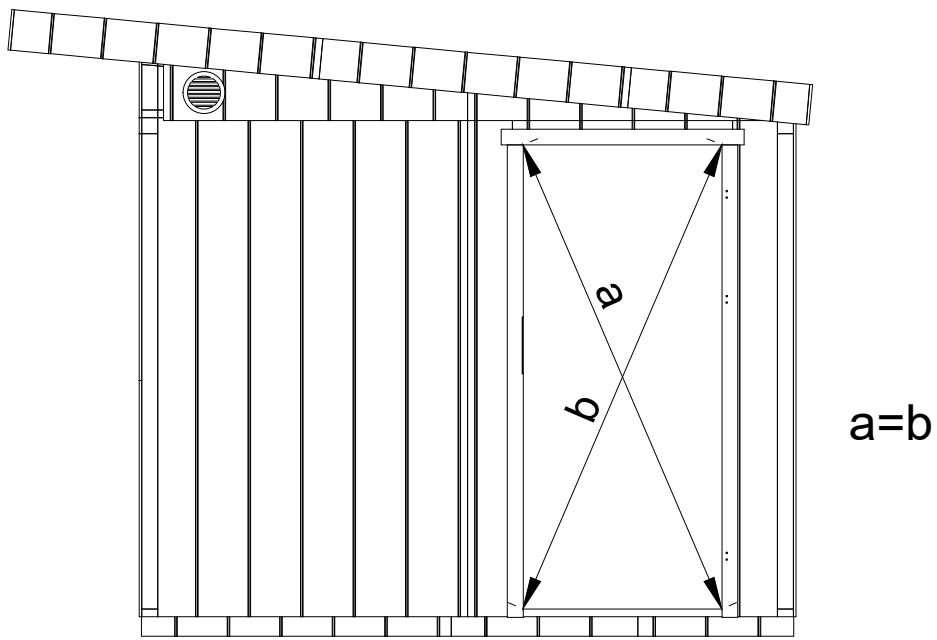
23

E x18



19





21

14-19mm

47

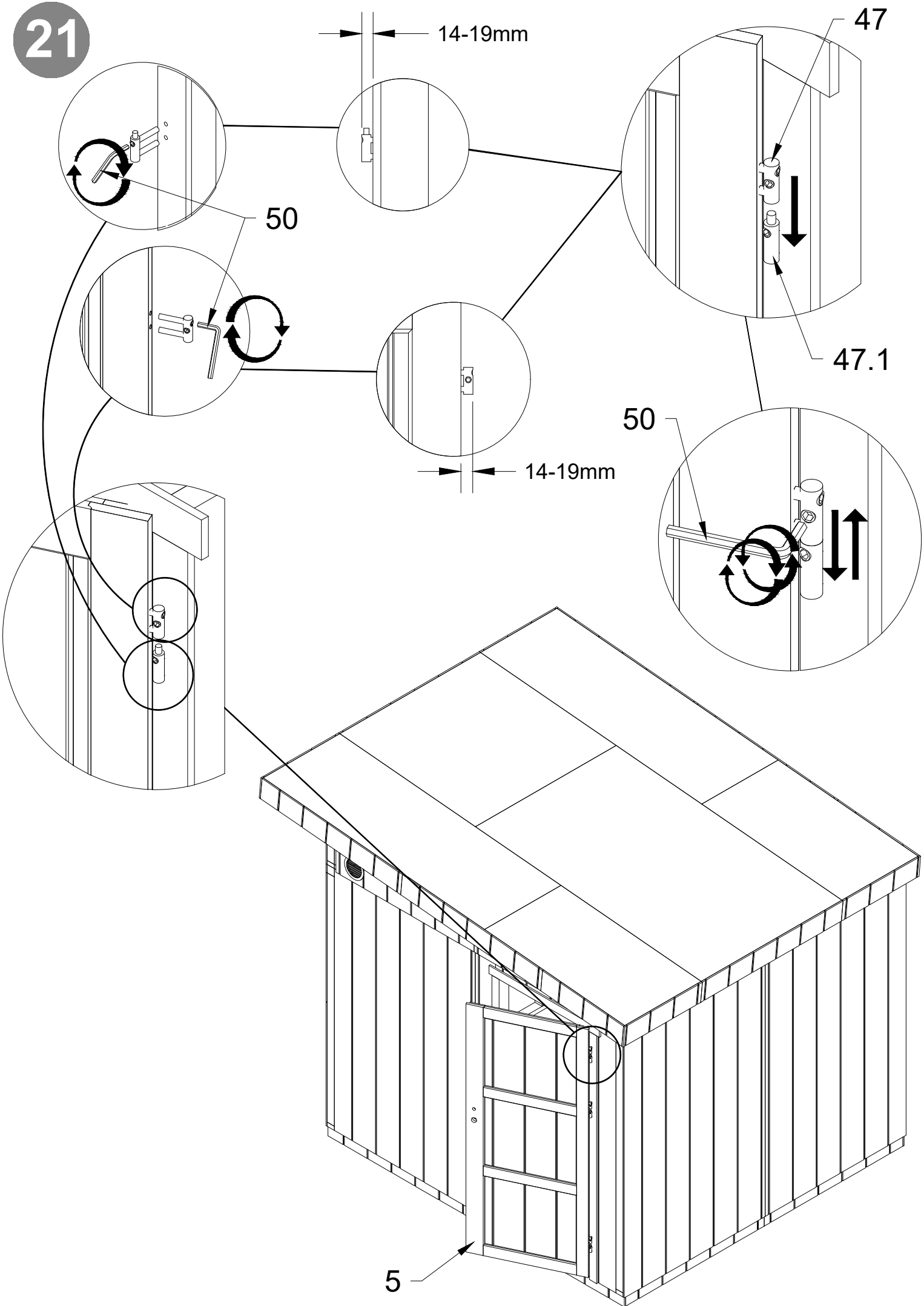
50

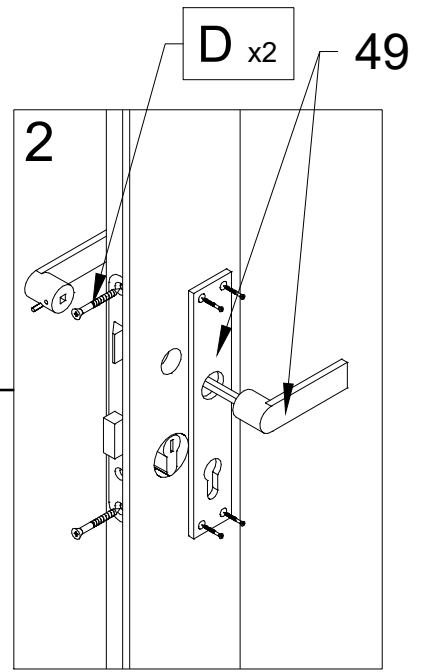
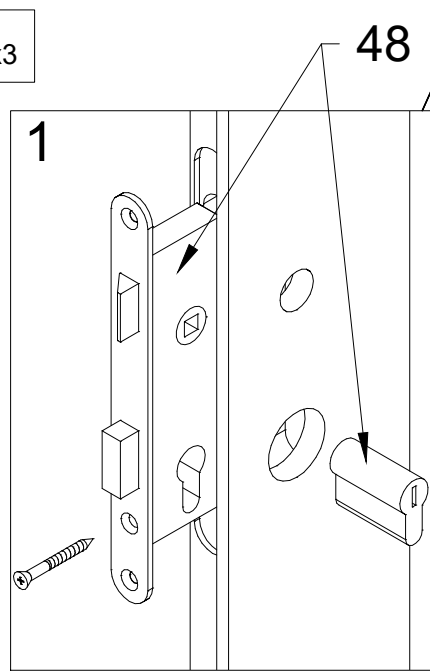
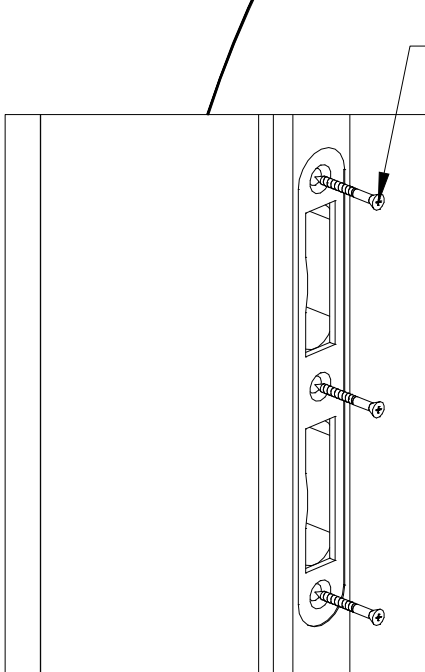
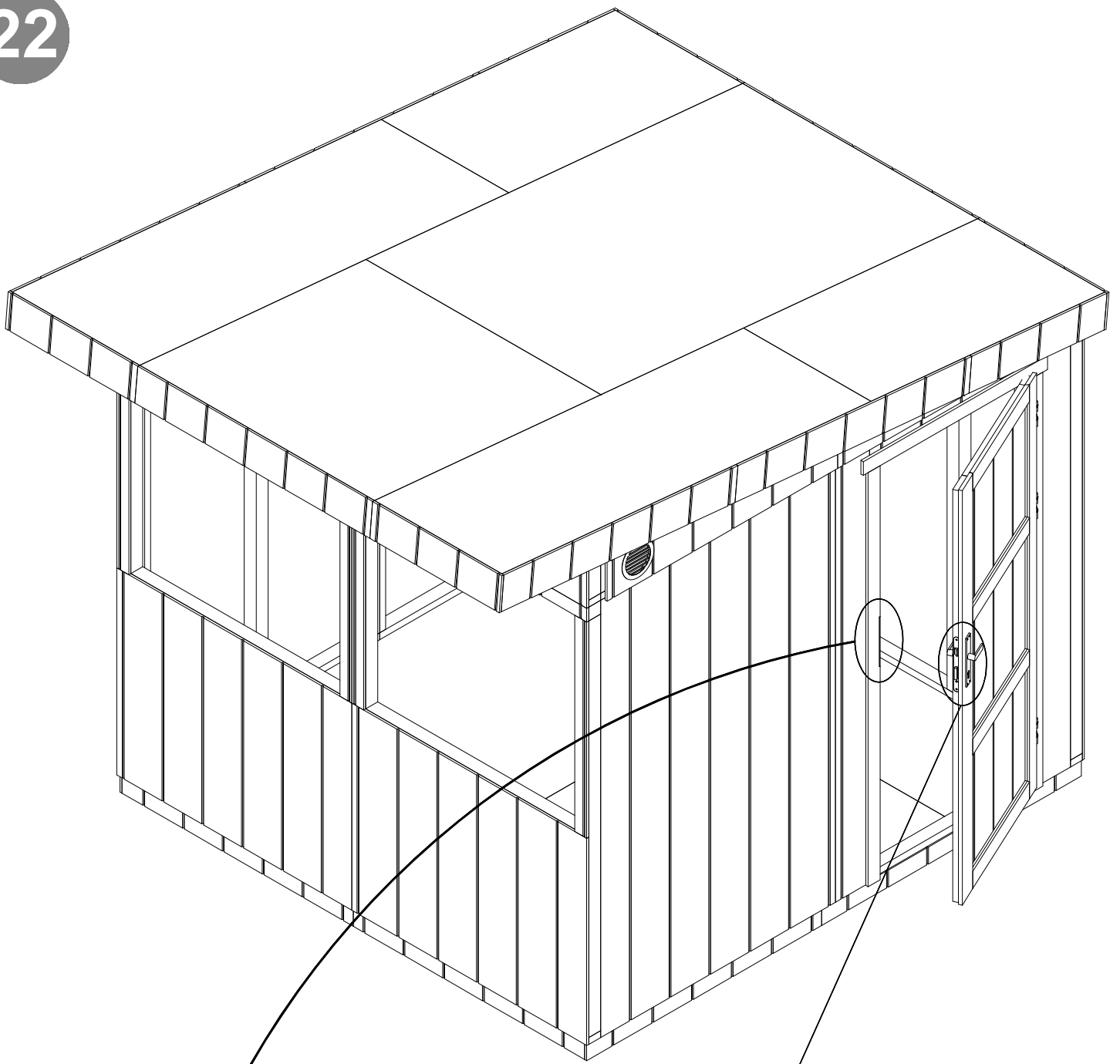
47.1

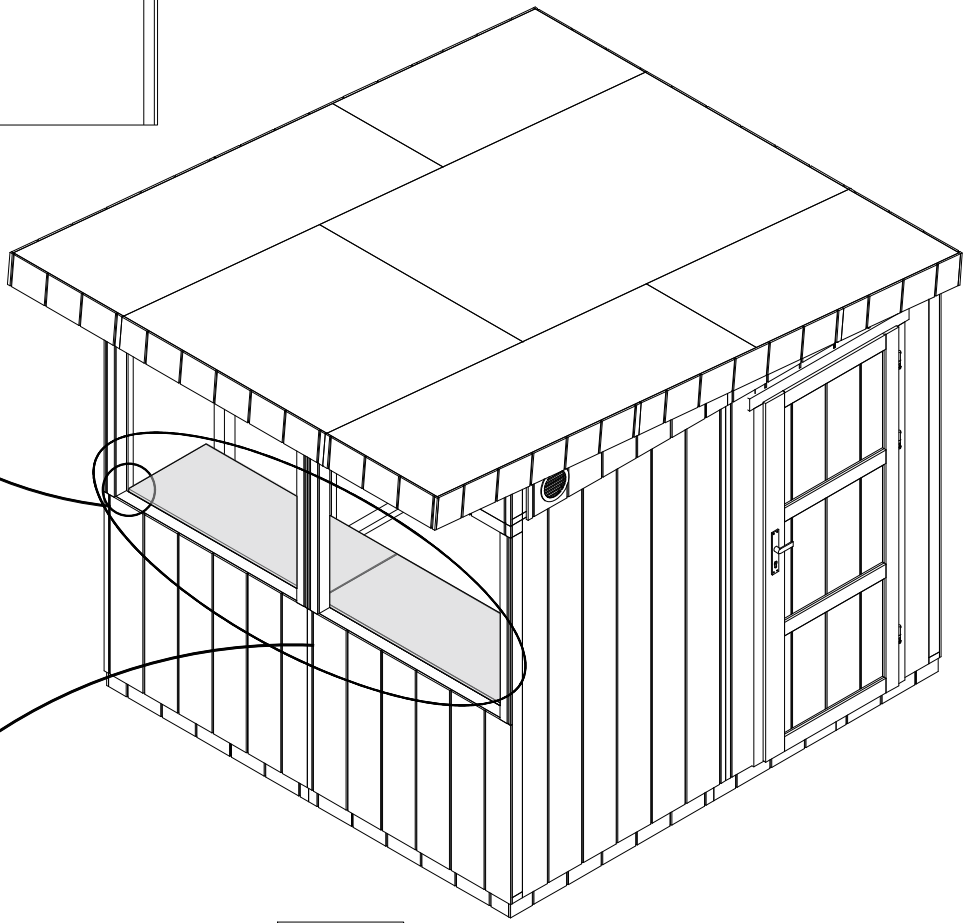
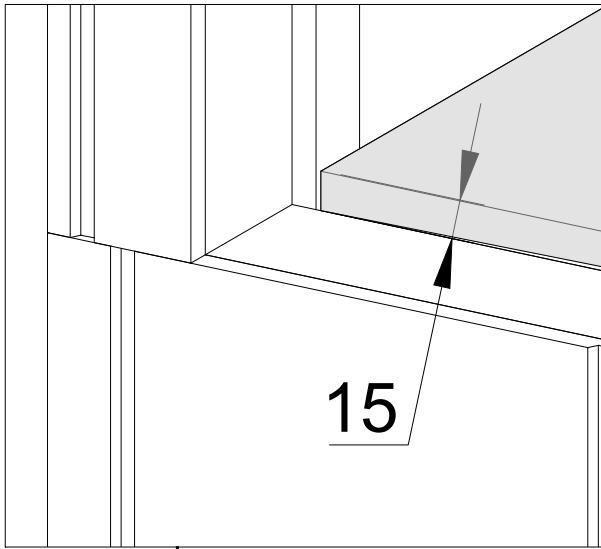
50

14-19mm

5



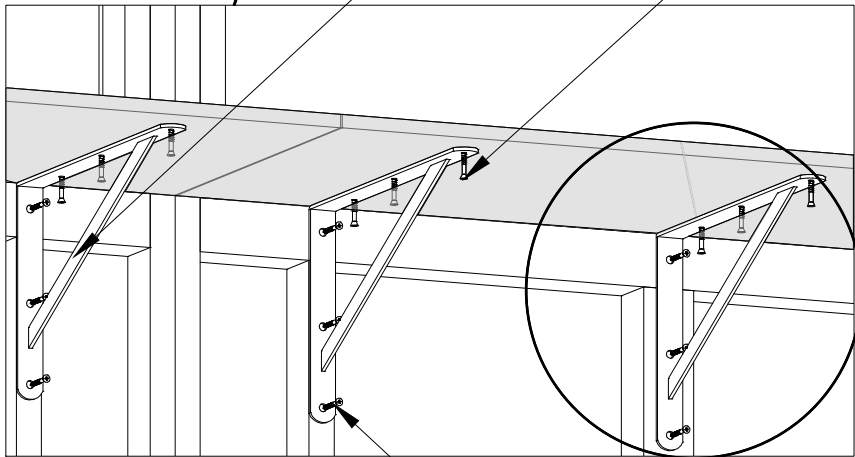




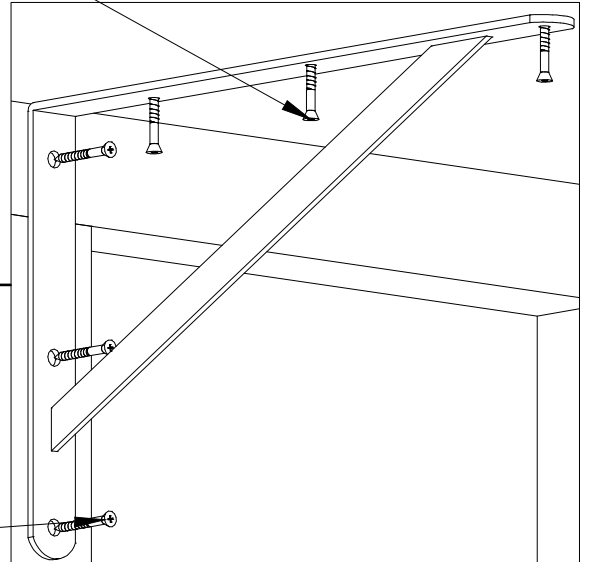
Int.

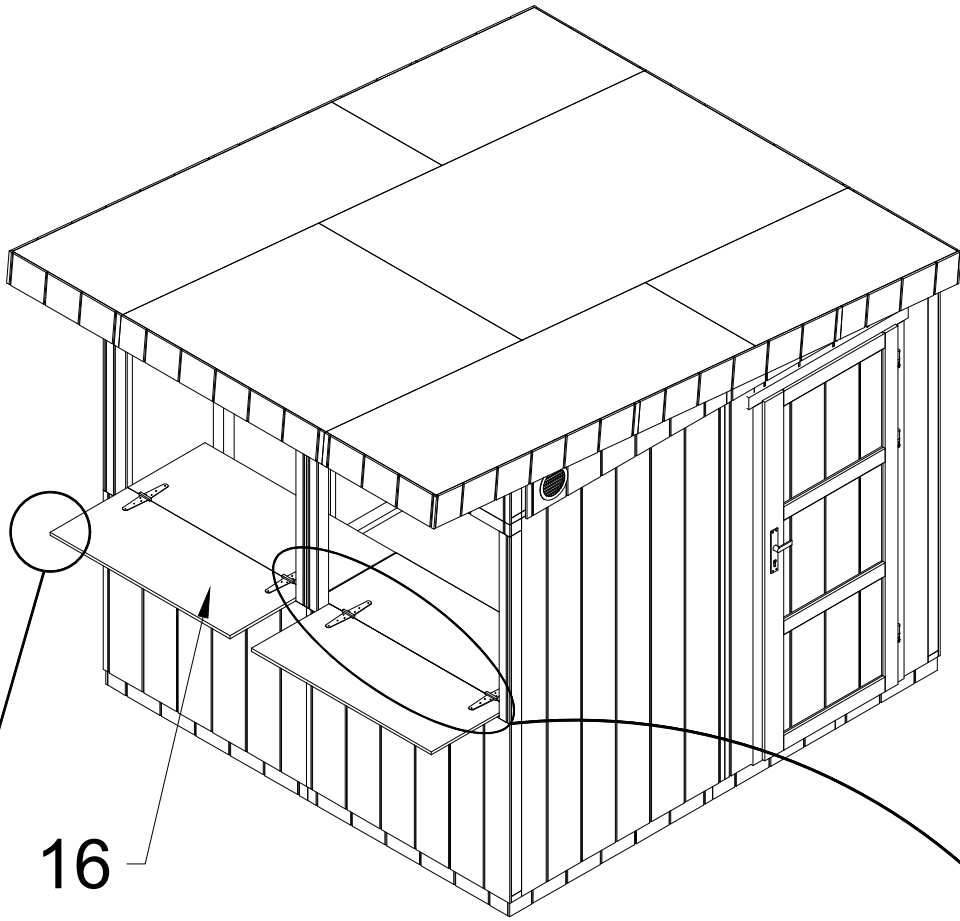
48.2

G x18

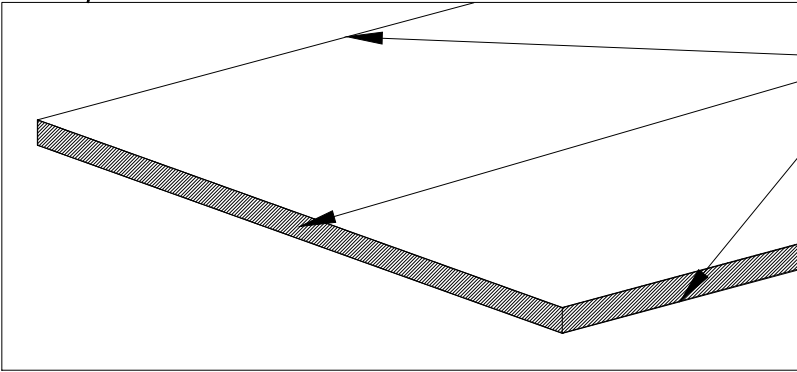


F x18





16

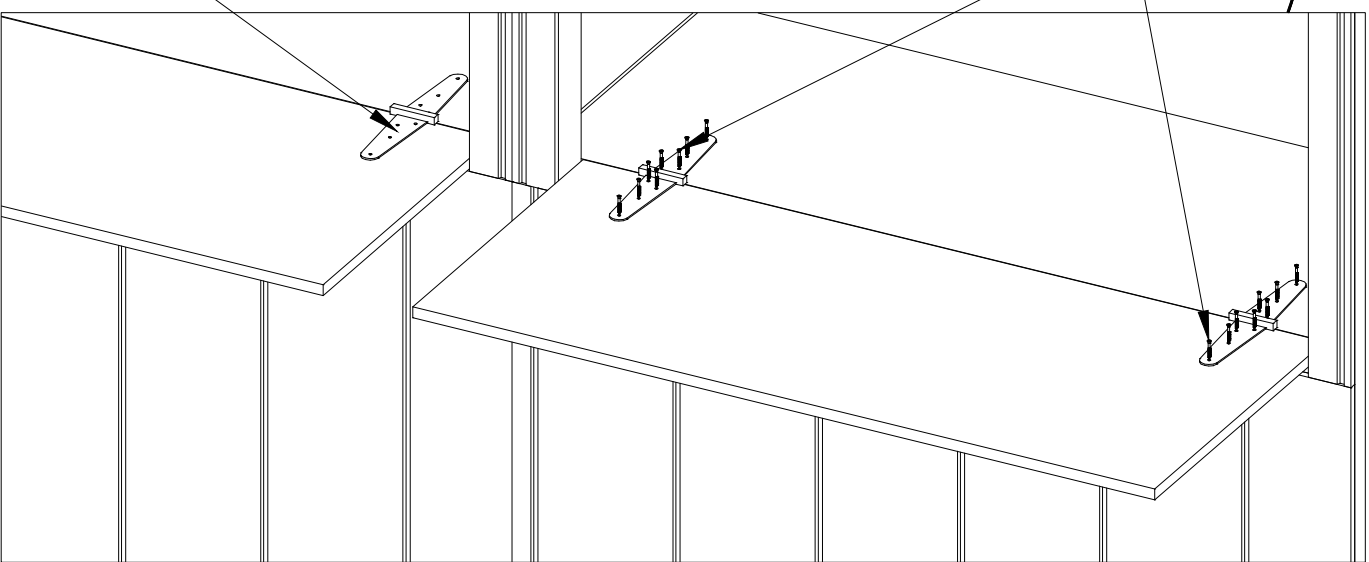


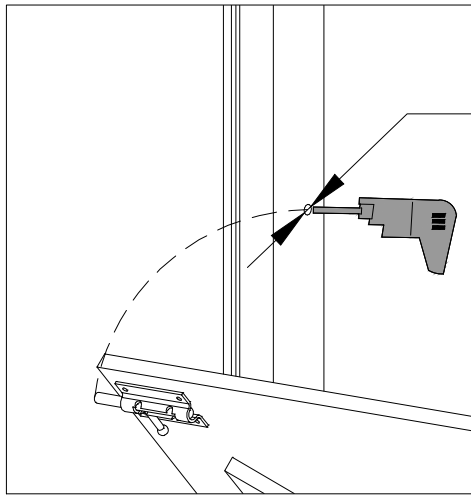
Paint



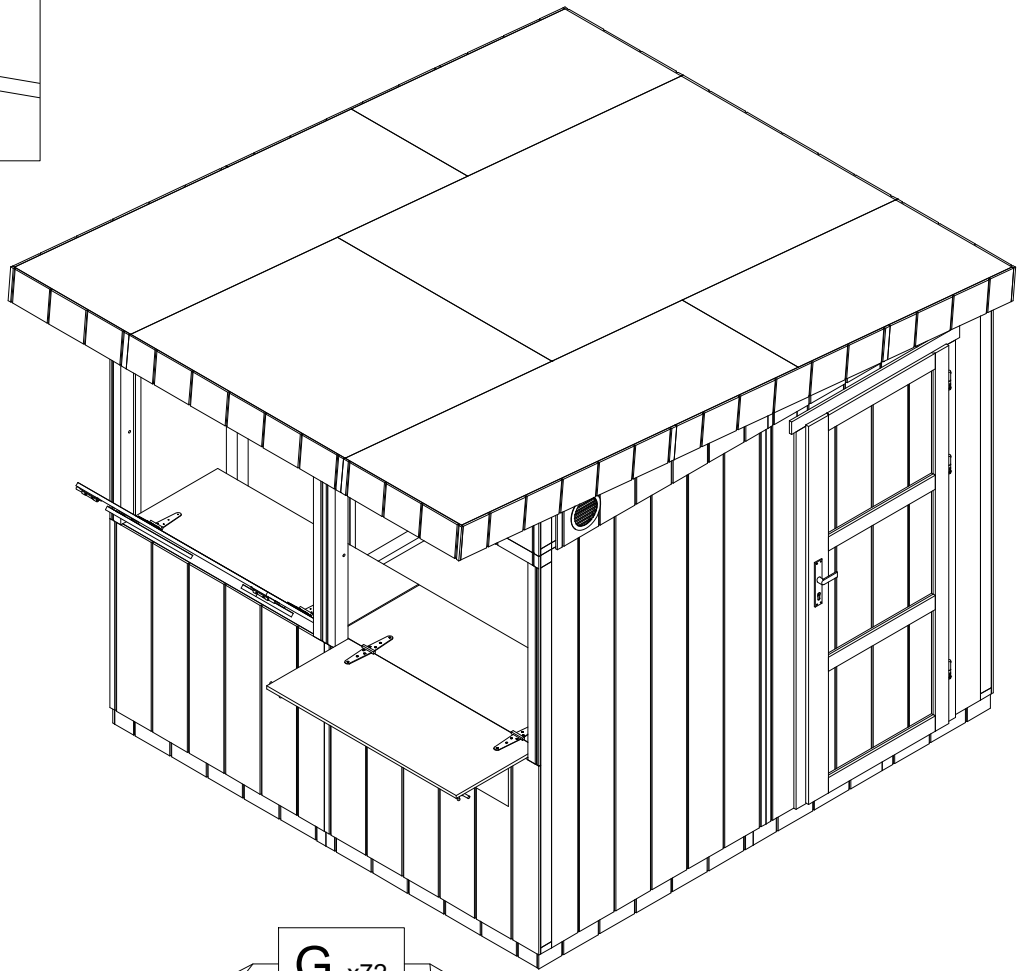
48

G x32



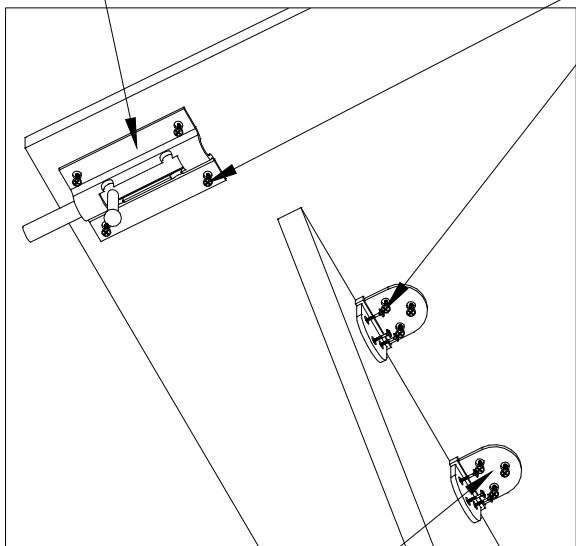


Ø11.5

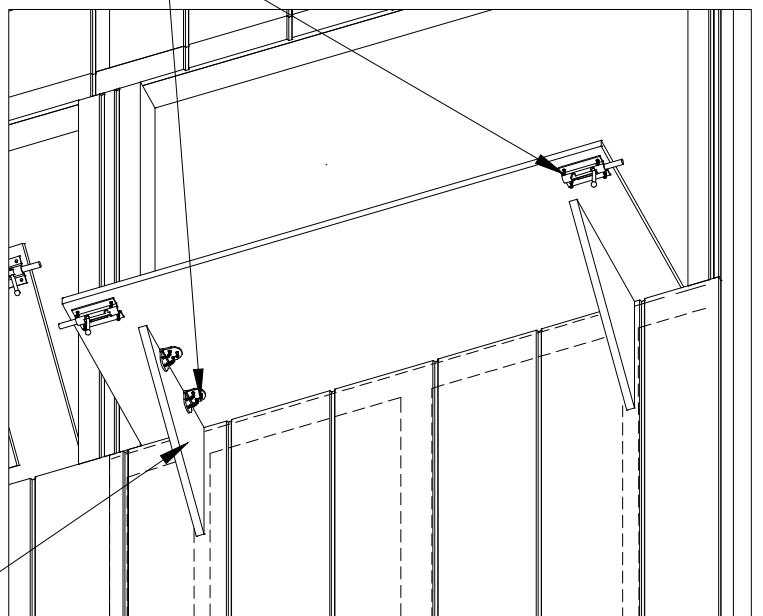


49

G x72

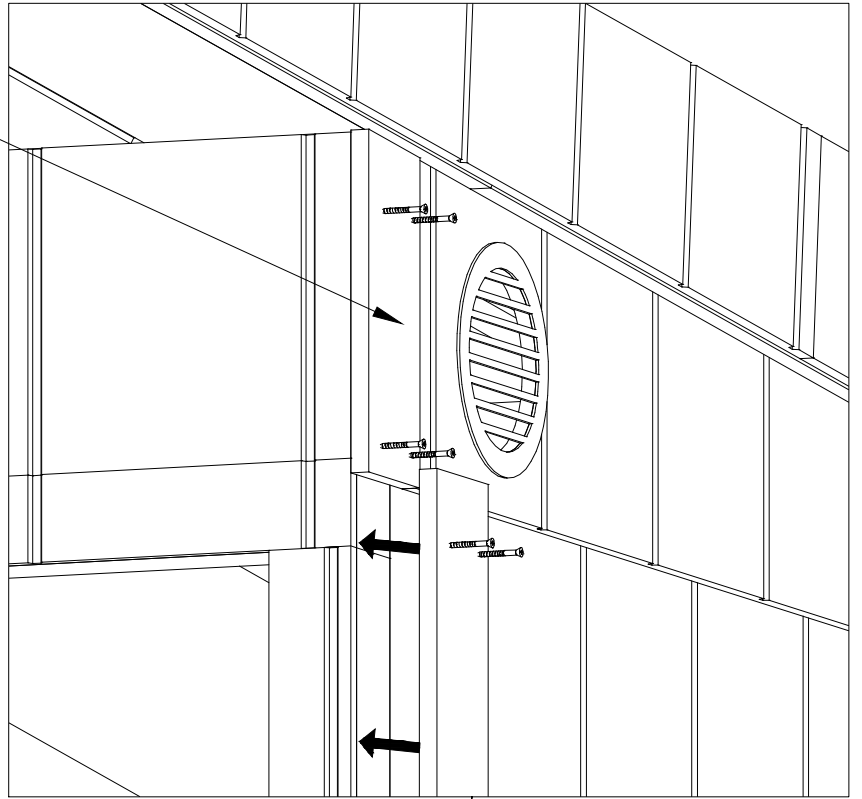


48.1



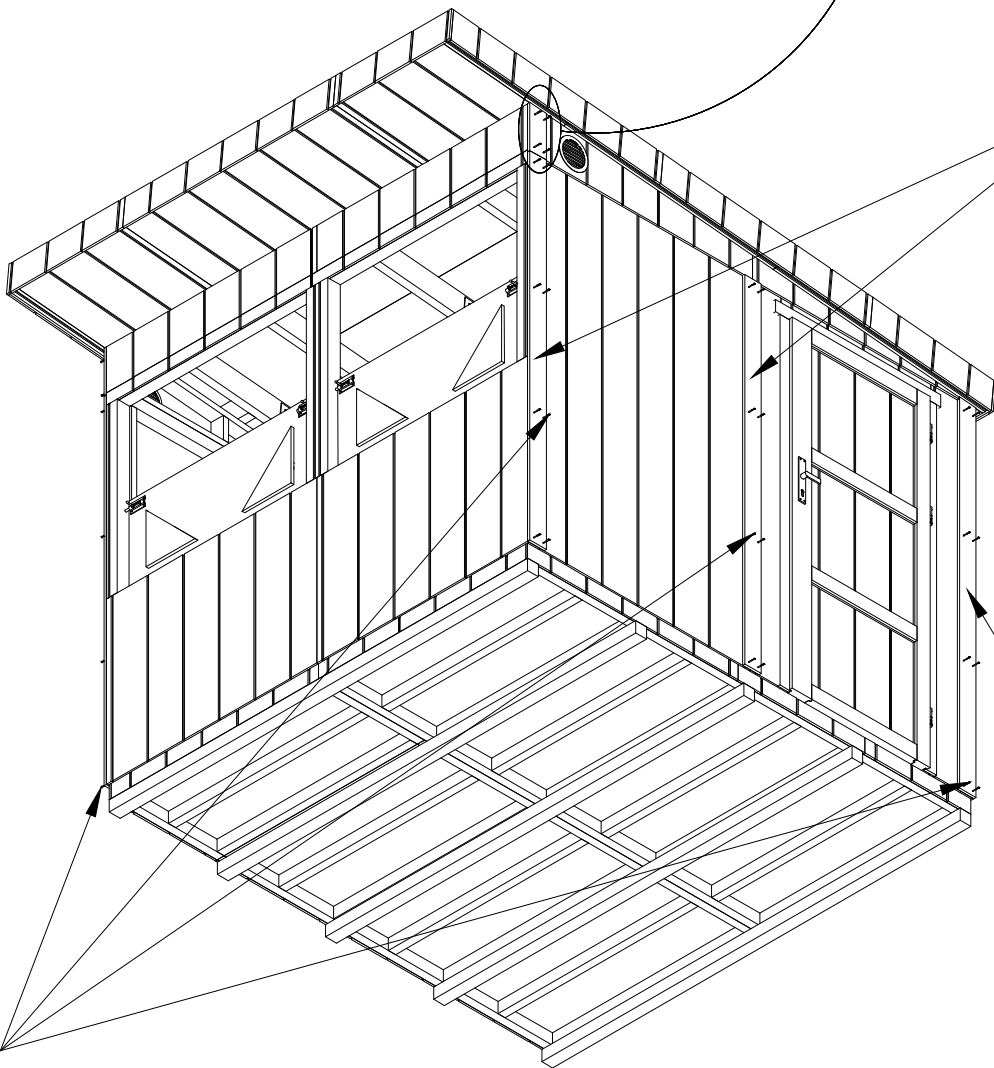
16.2

36.1



36

38

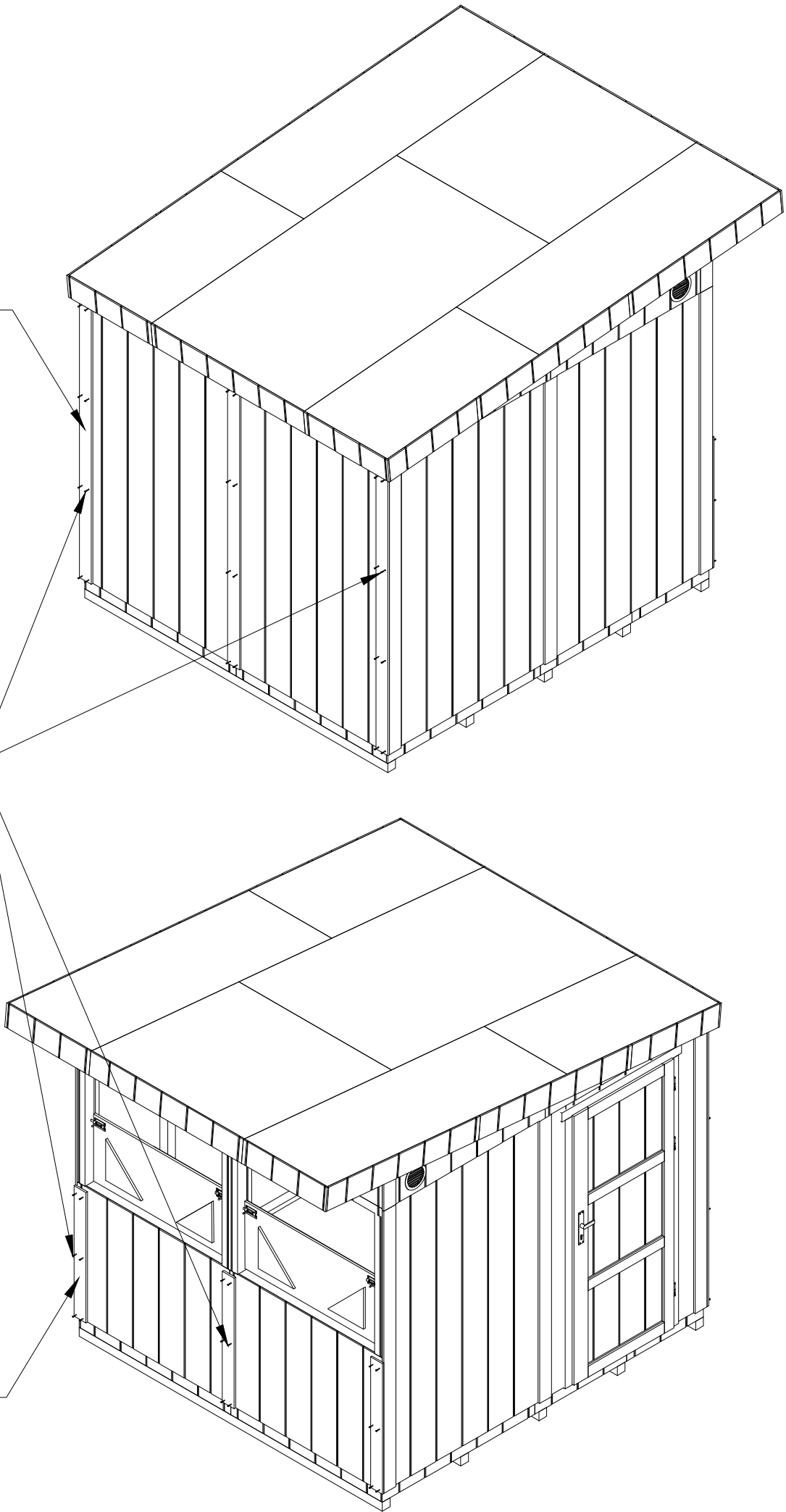


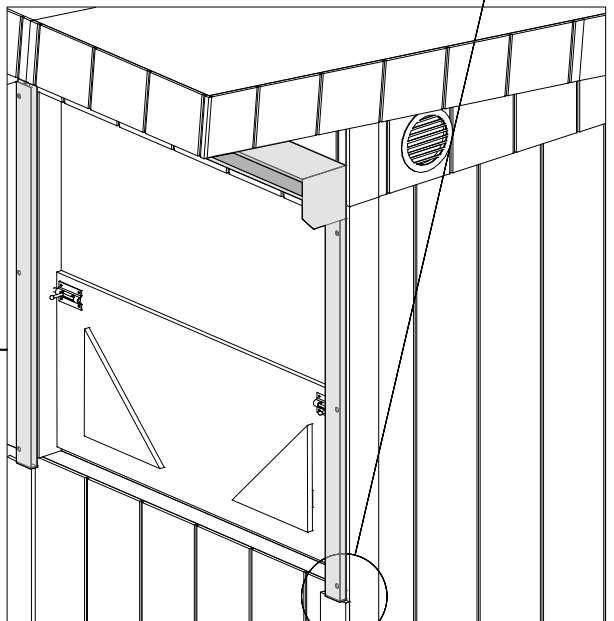
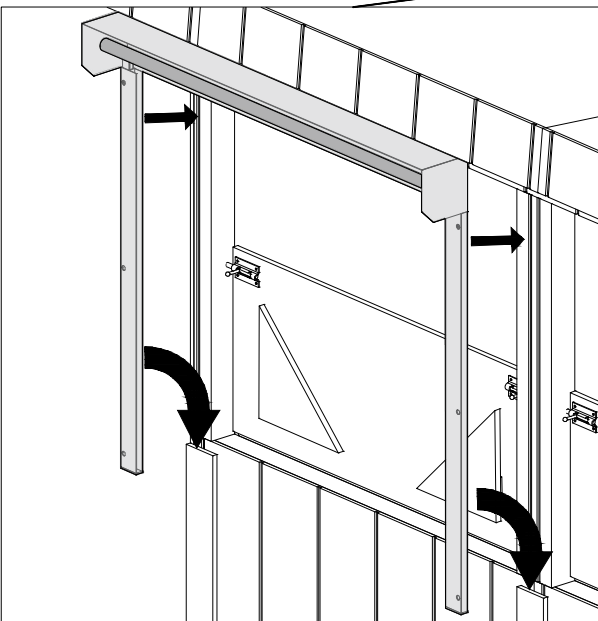
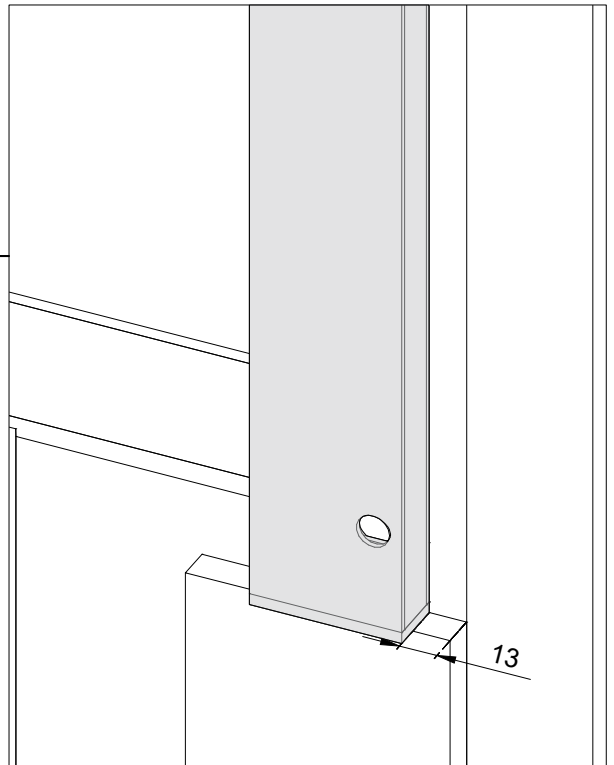
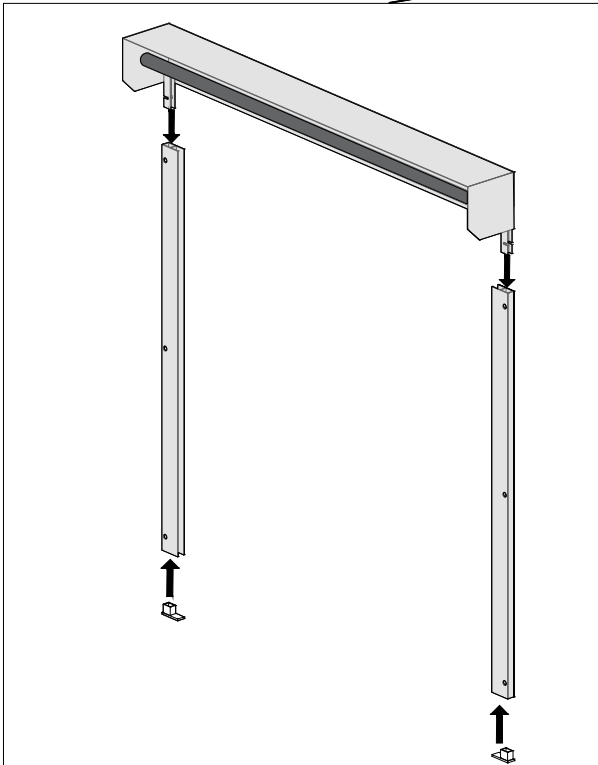
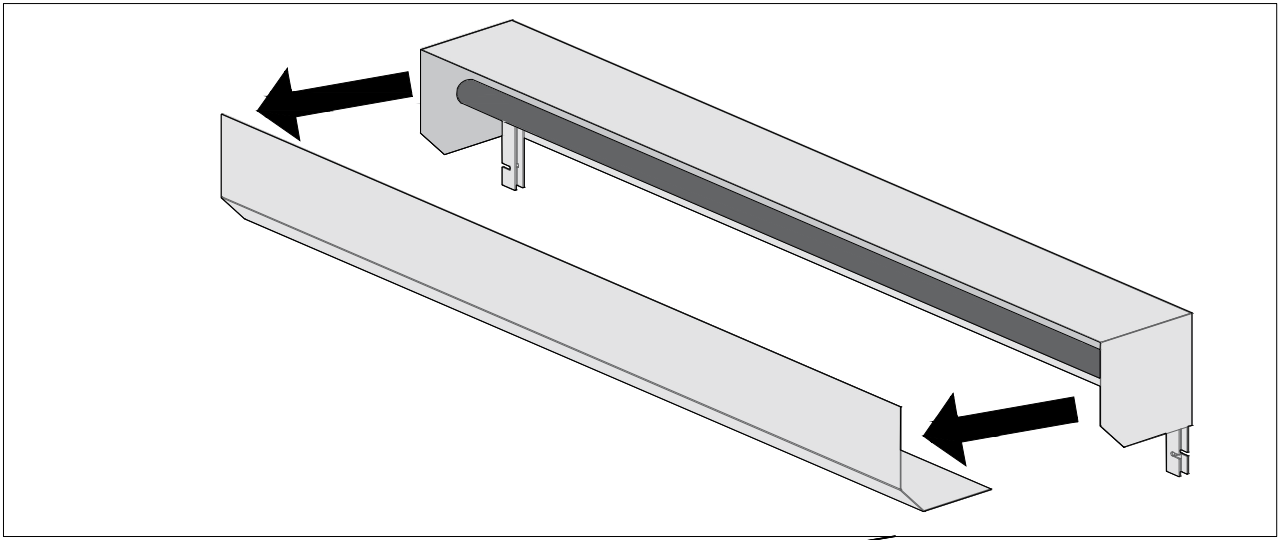
D x56

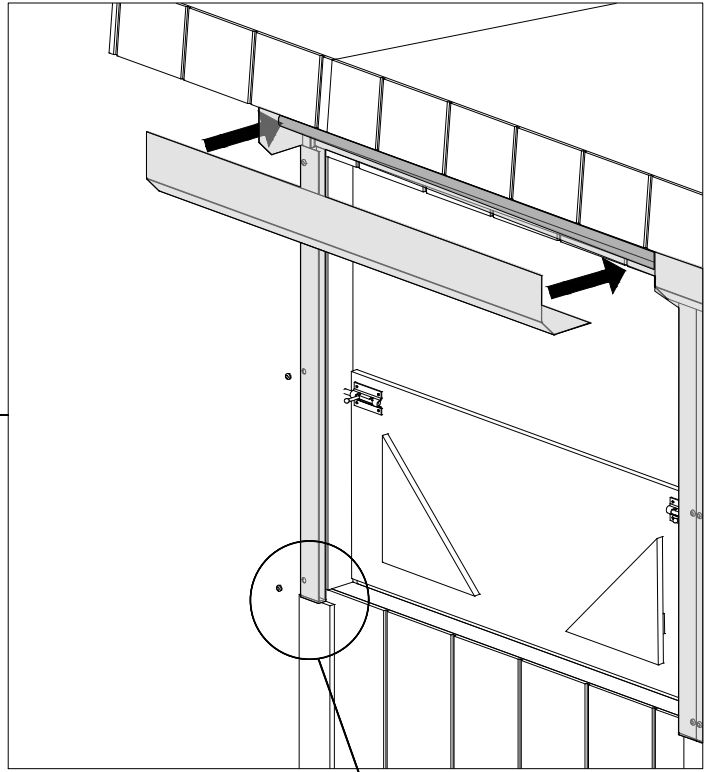
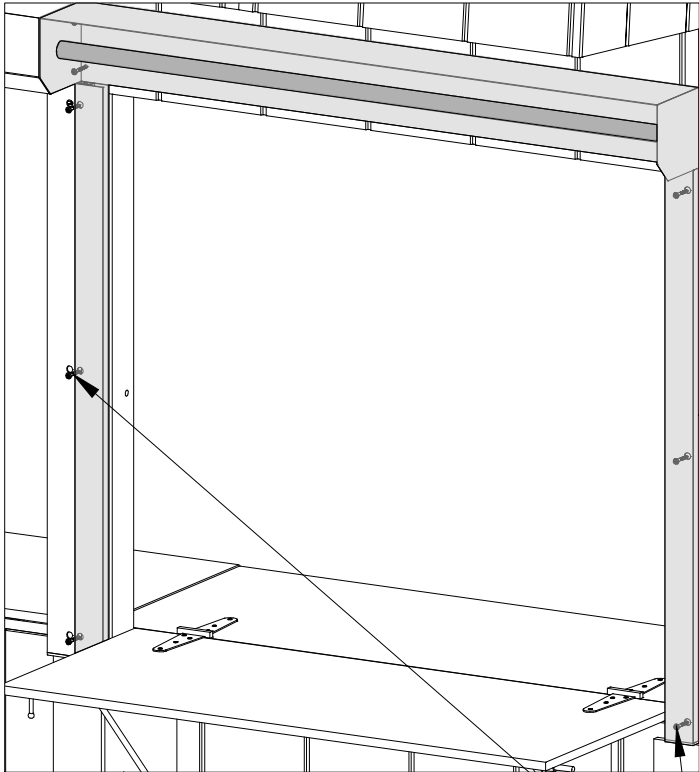
37

D x42

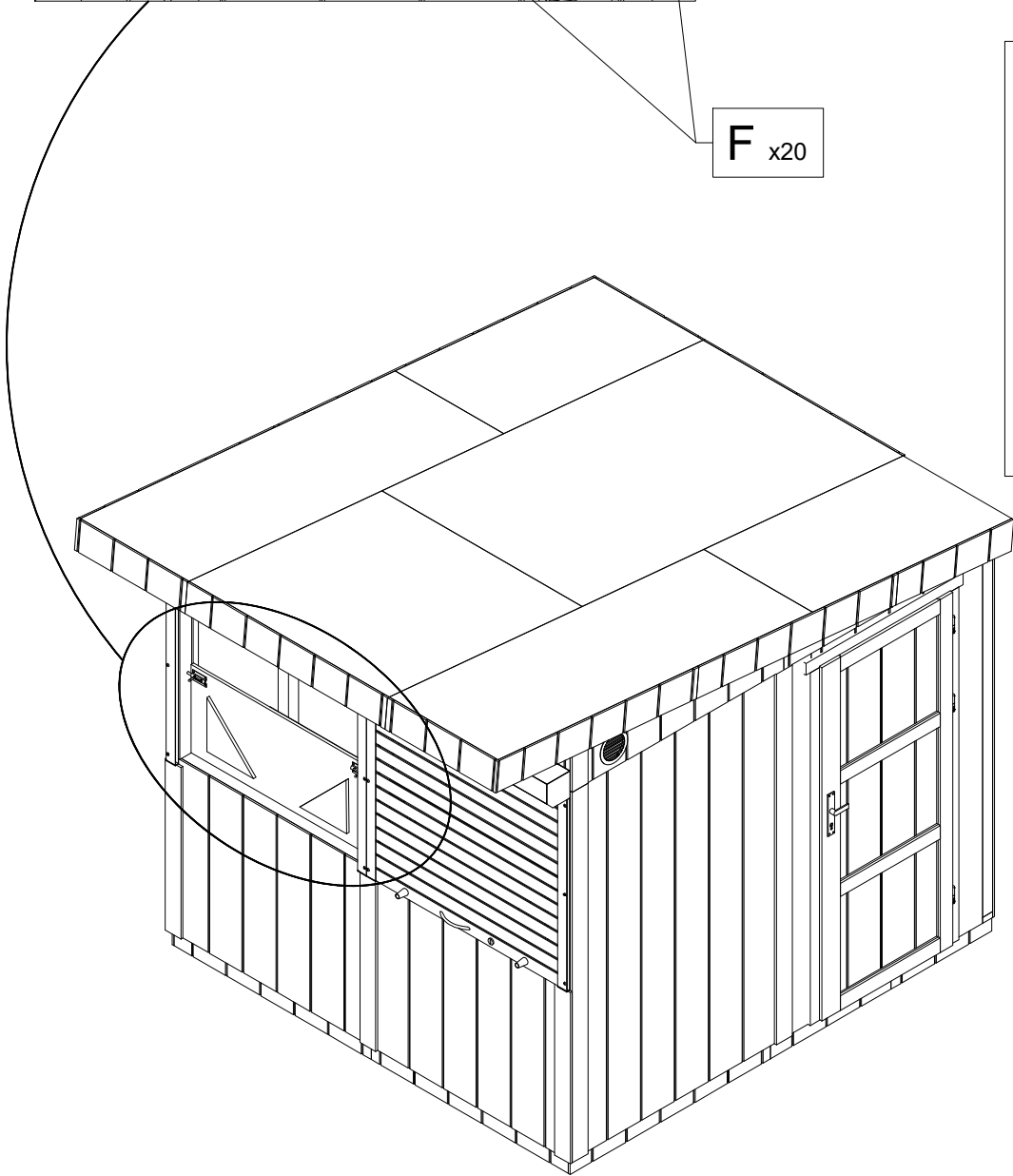
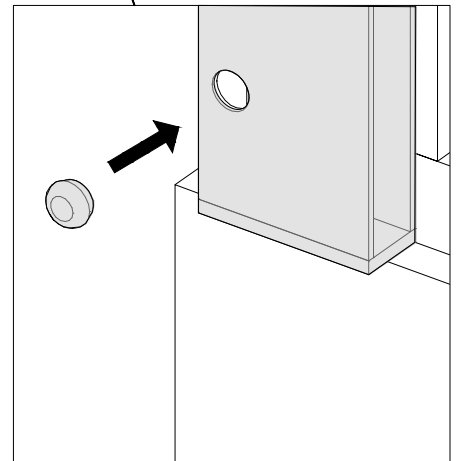
36.2

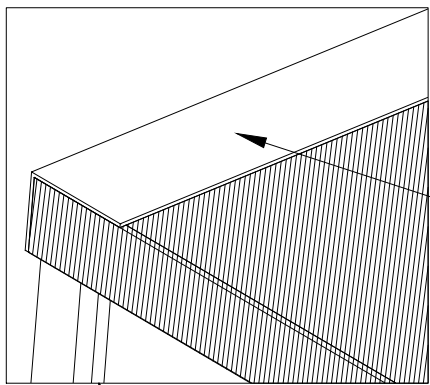
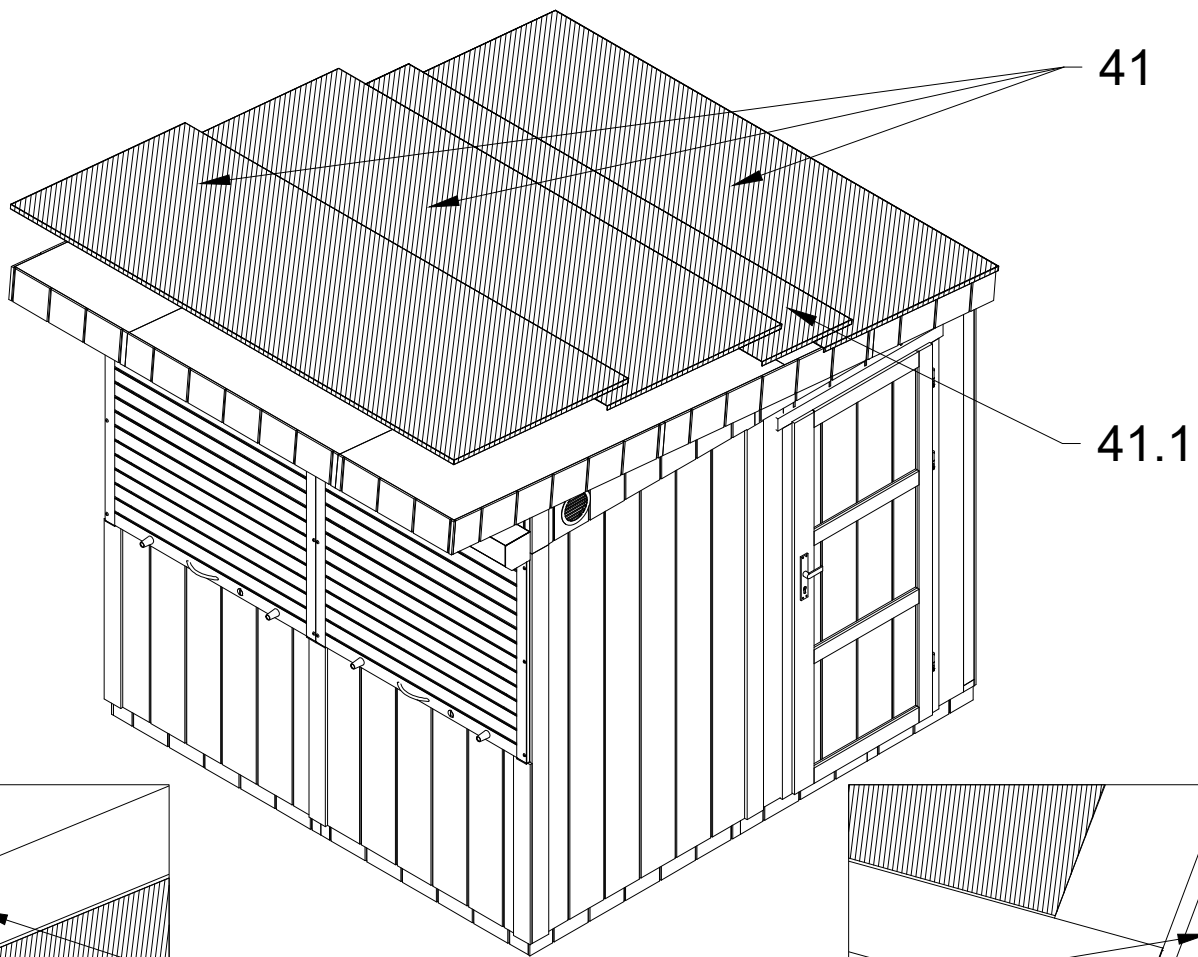






F x20





J x19

39.1

