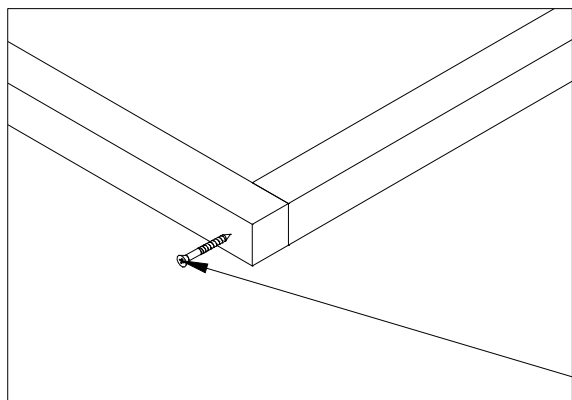
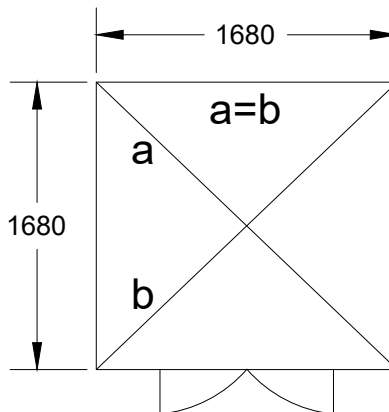


1

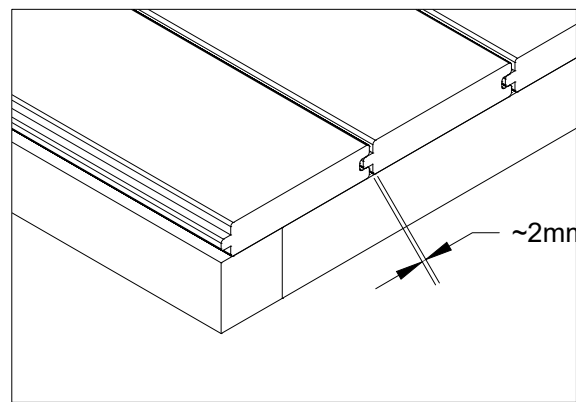
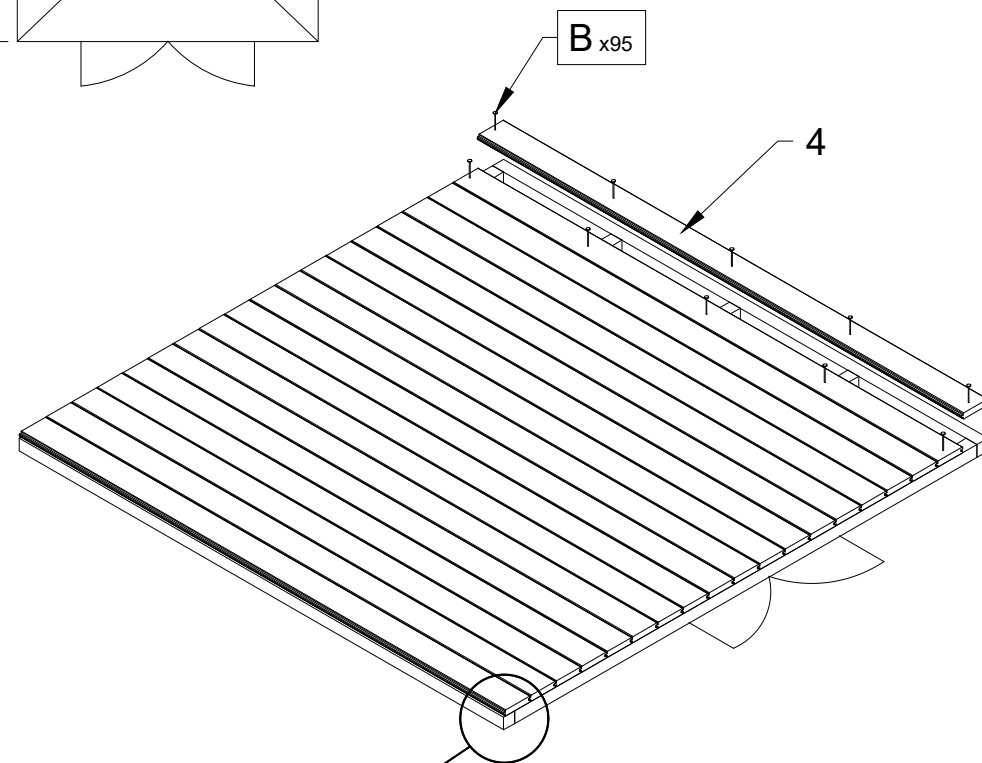
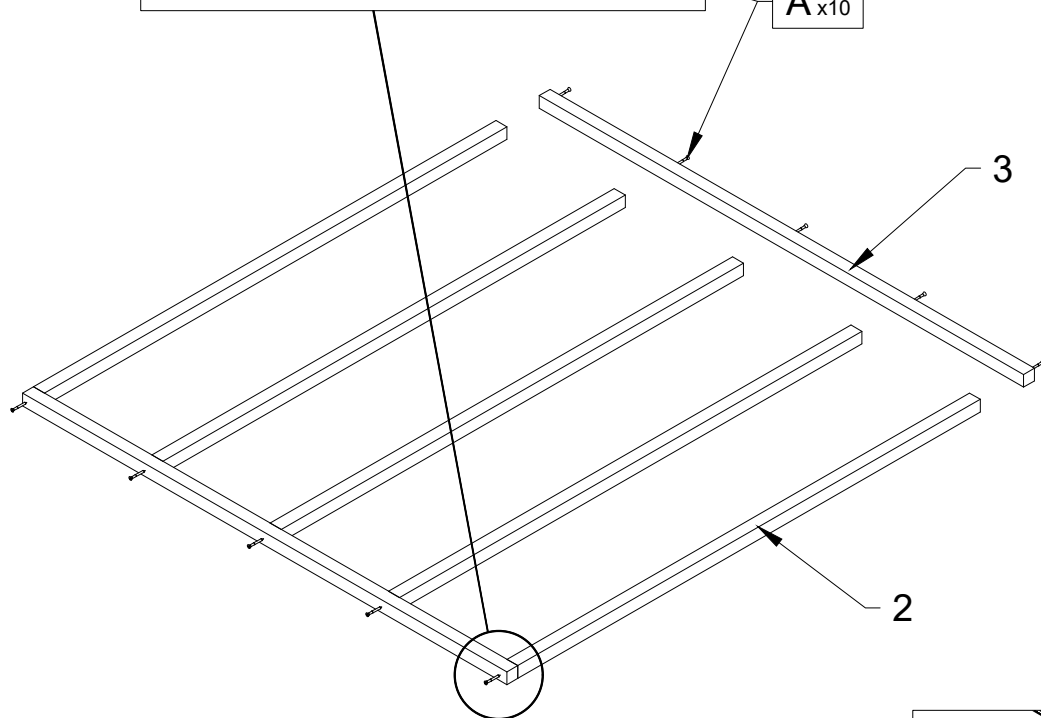


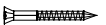


A<sub>x10</sub>



M320G

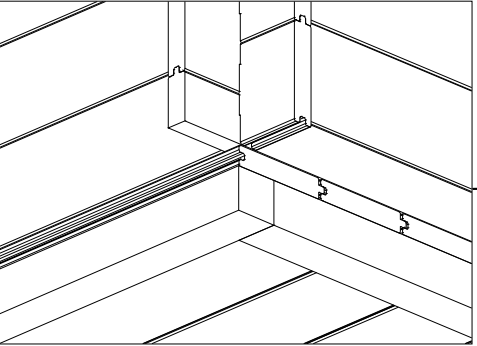
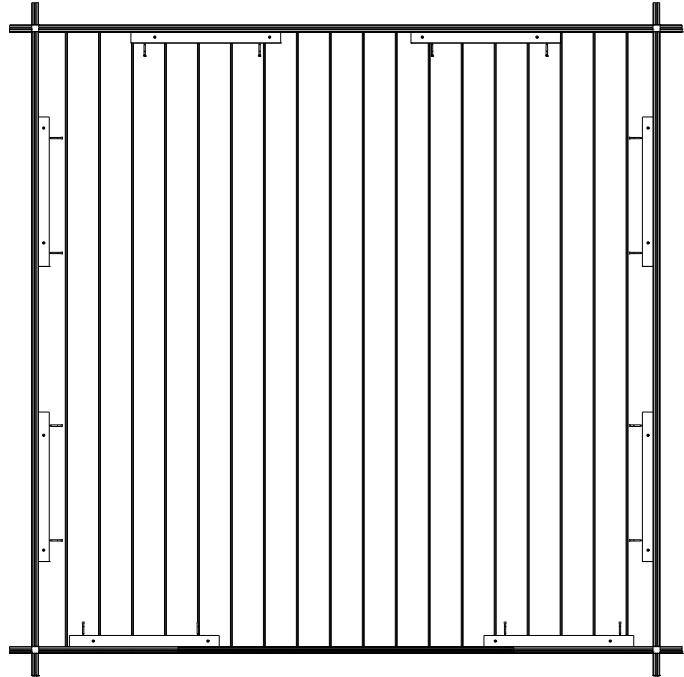
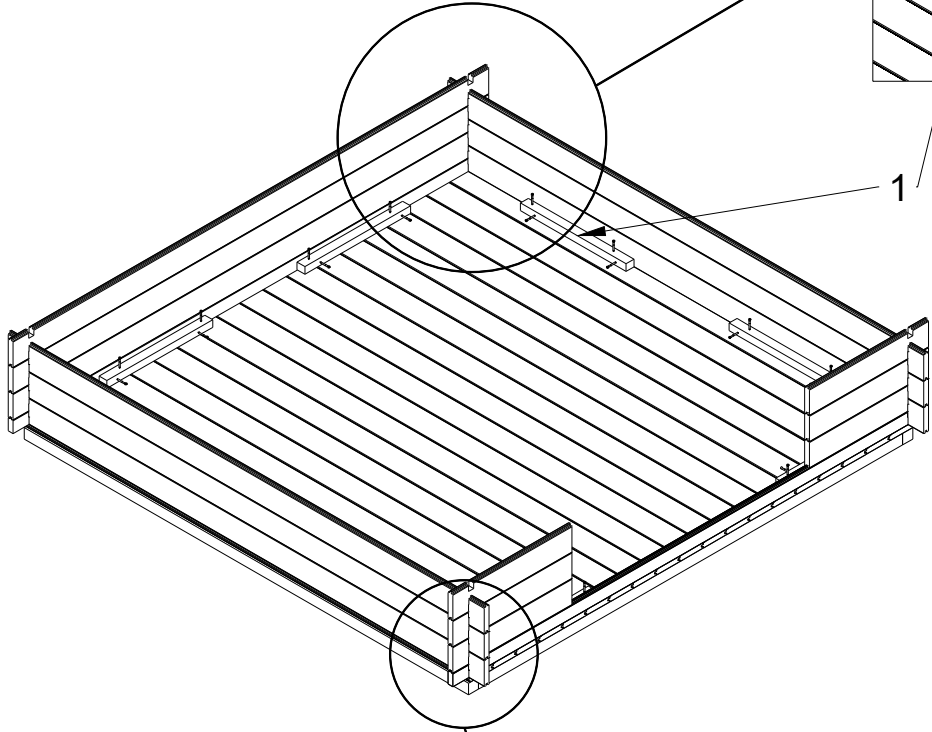
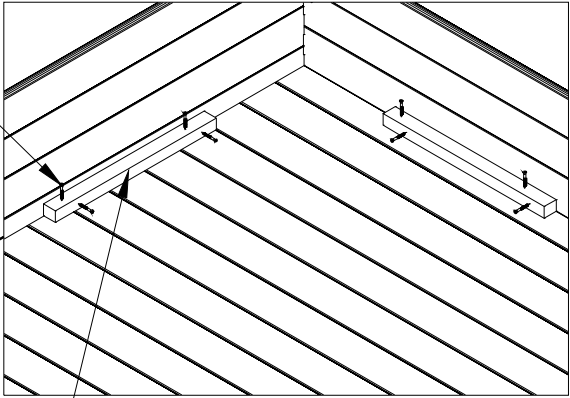
LOT85273

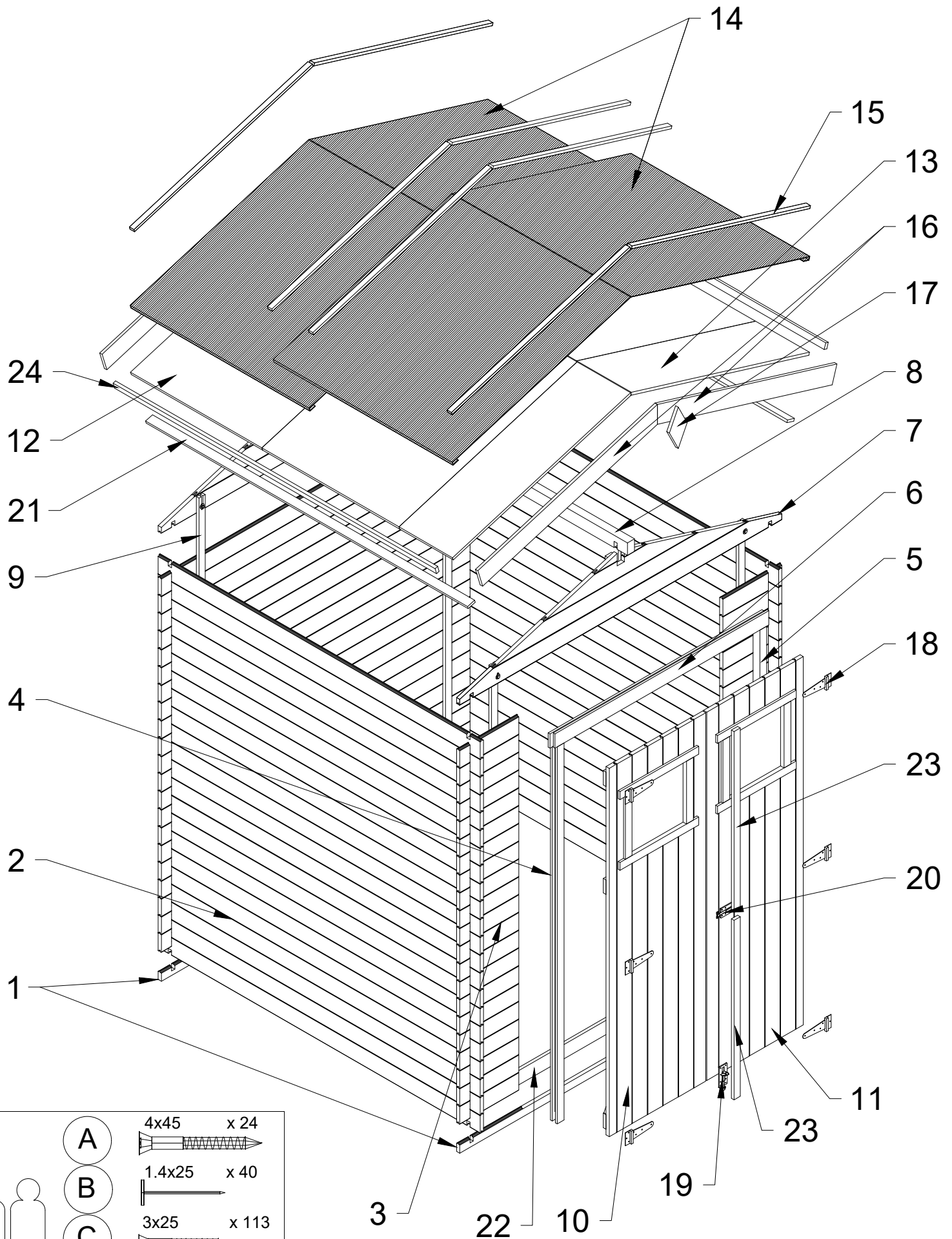


№	PCS	DIMENSIONS		
1	8	25	30	200
2	5	38	38	1604
3	2	38	38	1680
4	19	19	92	1680
A	10	 M4x70		
B	95			
C	32	 M4x45		

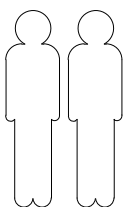
2

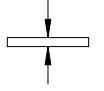
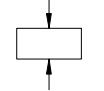
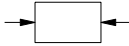
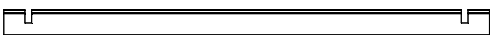
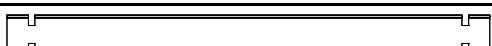


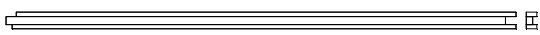
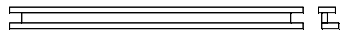
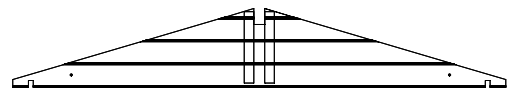
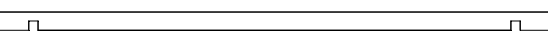

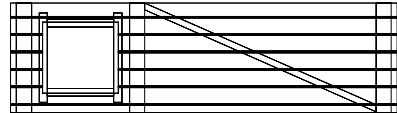
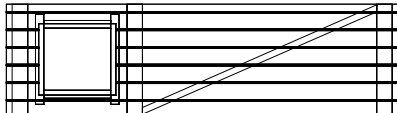

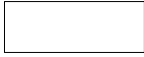
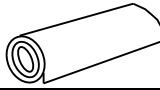
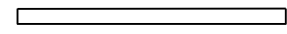
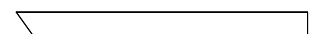

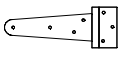
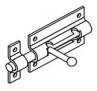
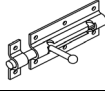
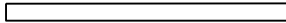
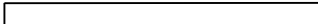
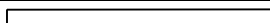
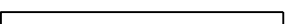
C x32



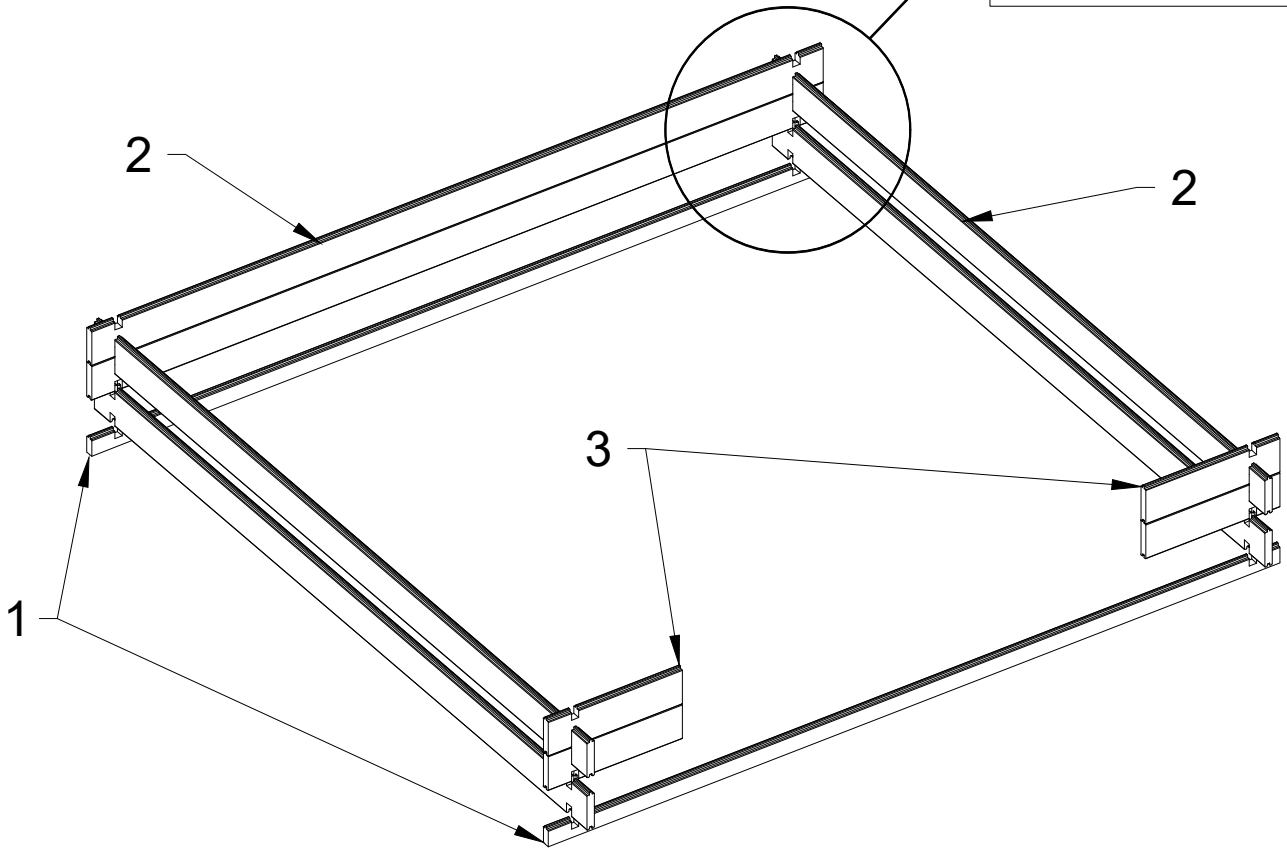
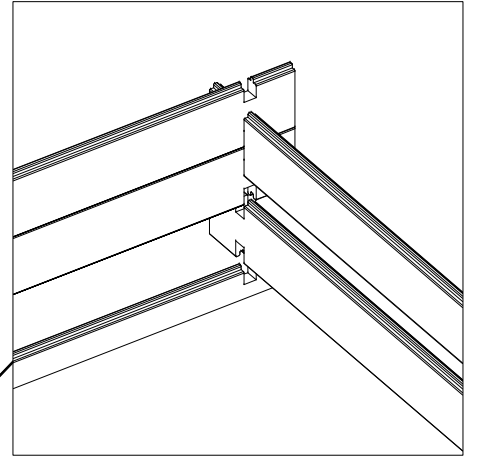
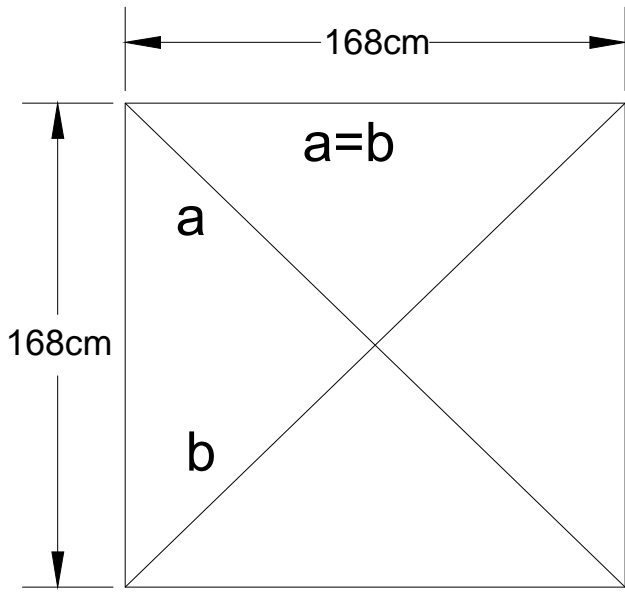


- |          |        |       |
|----------|--------|-------|
| <b>A</b> | 4x45   | x 24  |
| <b>B</b> | 1.4x25 | x 40  |
| <b>C</b> | 3x25   | x 113 |
| <b>D</b> | 6x50   | x 4   |
| <b>E</b> | 3x20   | x 24  |



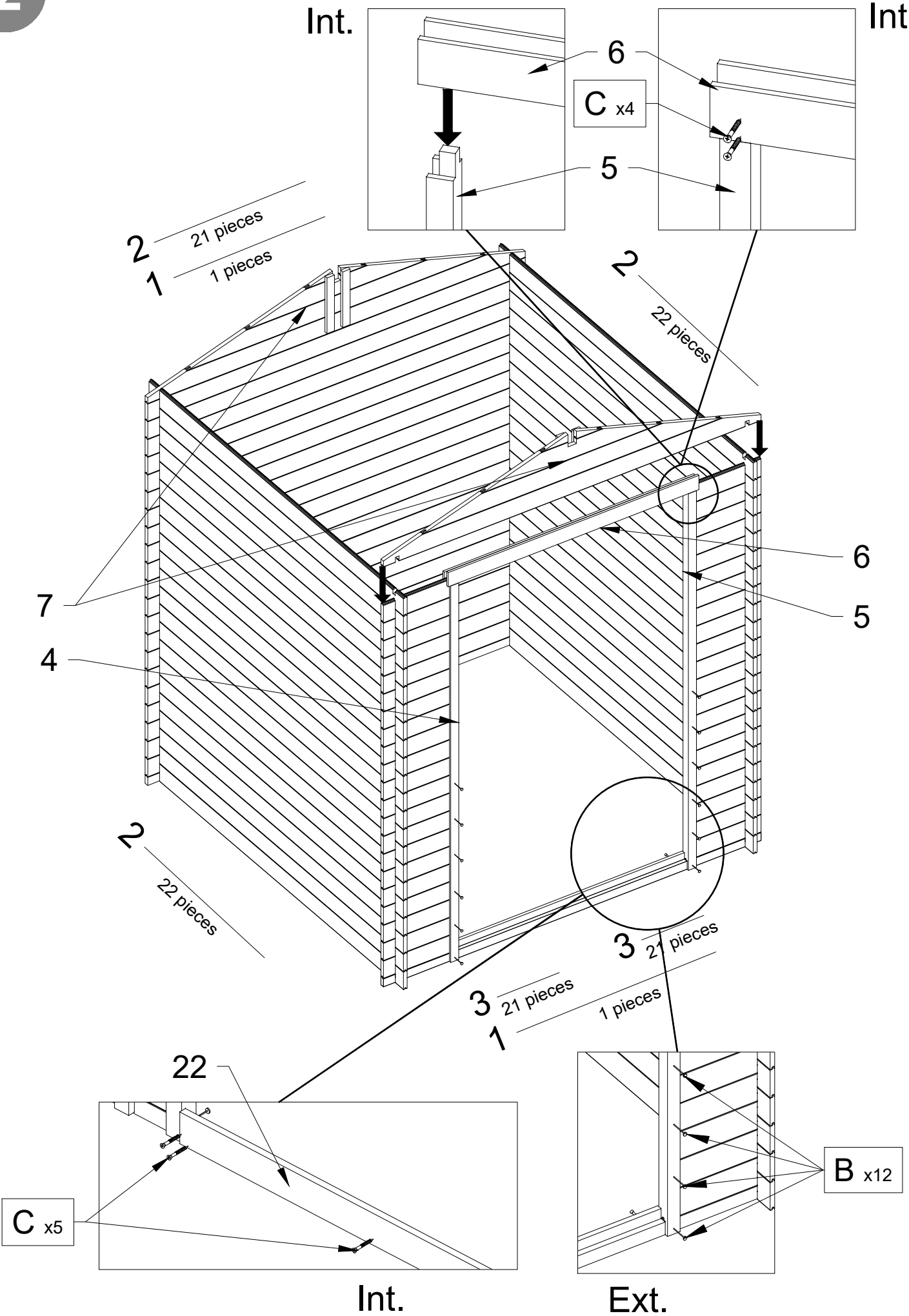
№		PCS	 mm	 mm	 mm
1		2	19	52	1800
2		65	19	92	1800
3		42	19	92	284
4		1	38	38	1842
5		1	38	38	1842
6		1	48	84	1290
7		2		305	1800
8		1	40	60	1800
9		4	15	35	1800
10		1		585	1760
11		1		585	1760
12		4	OSB	800	1040
13		2	OSB	200	1040
14		2		1000	2200
15		8	15	35	1020
16		4	13	92	1060
17		2	15	75	145
18		6			
19		3			
20		1			
21		4	OSB	35	900
22		1	15	69	1180
23		2	15	35	855
24		4	15	35	900

1

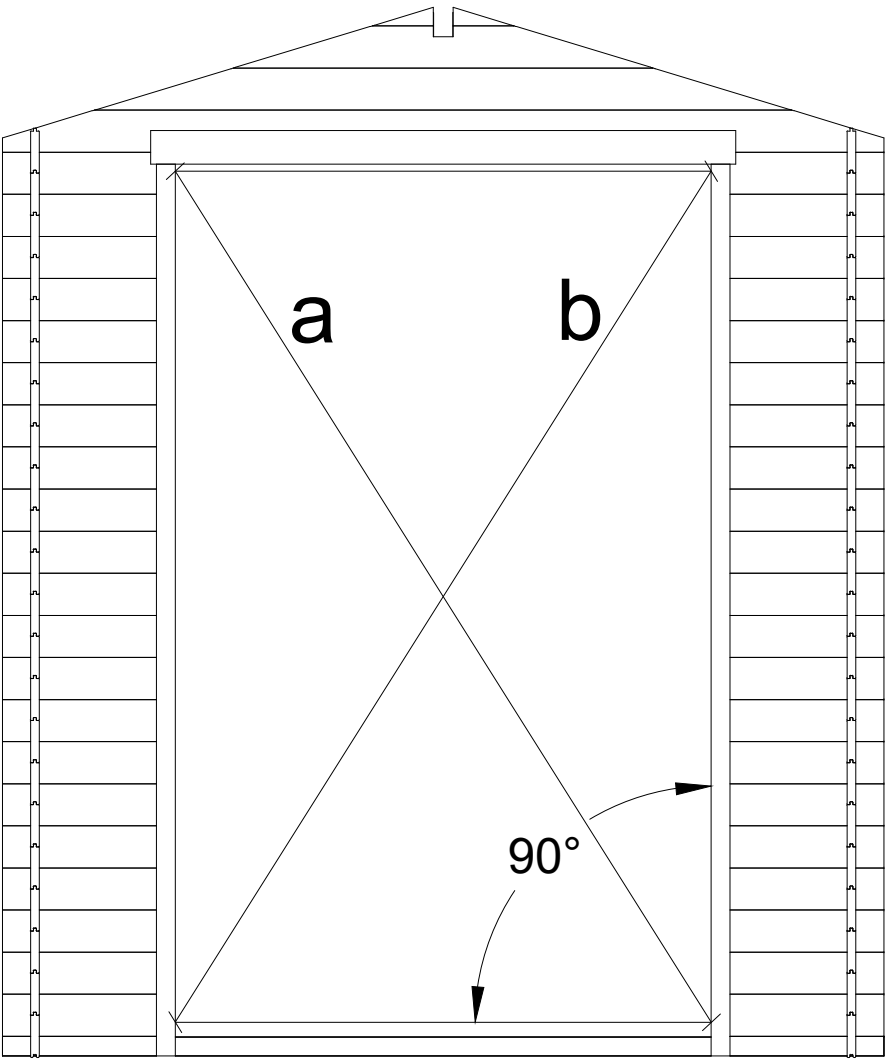


Int.

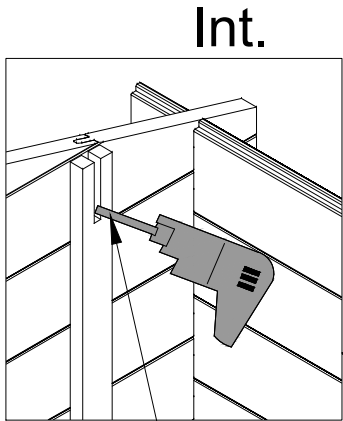
Int.



$$a=b$$

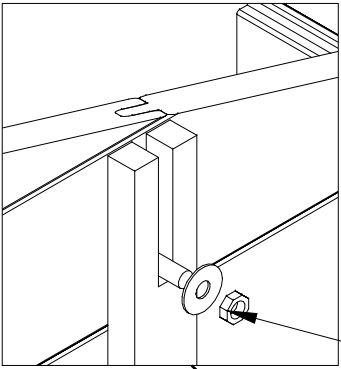


4

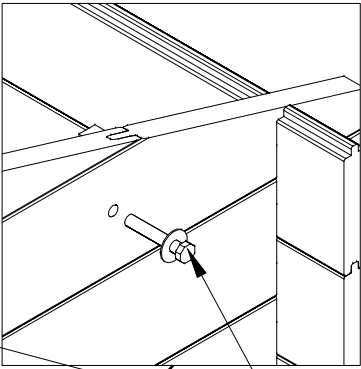


Int.

Ø6

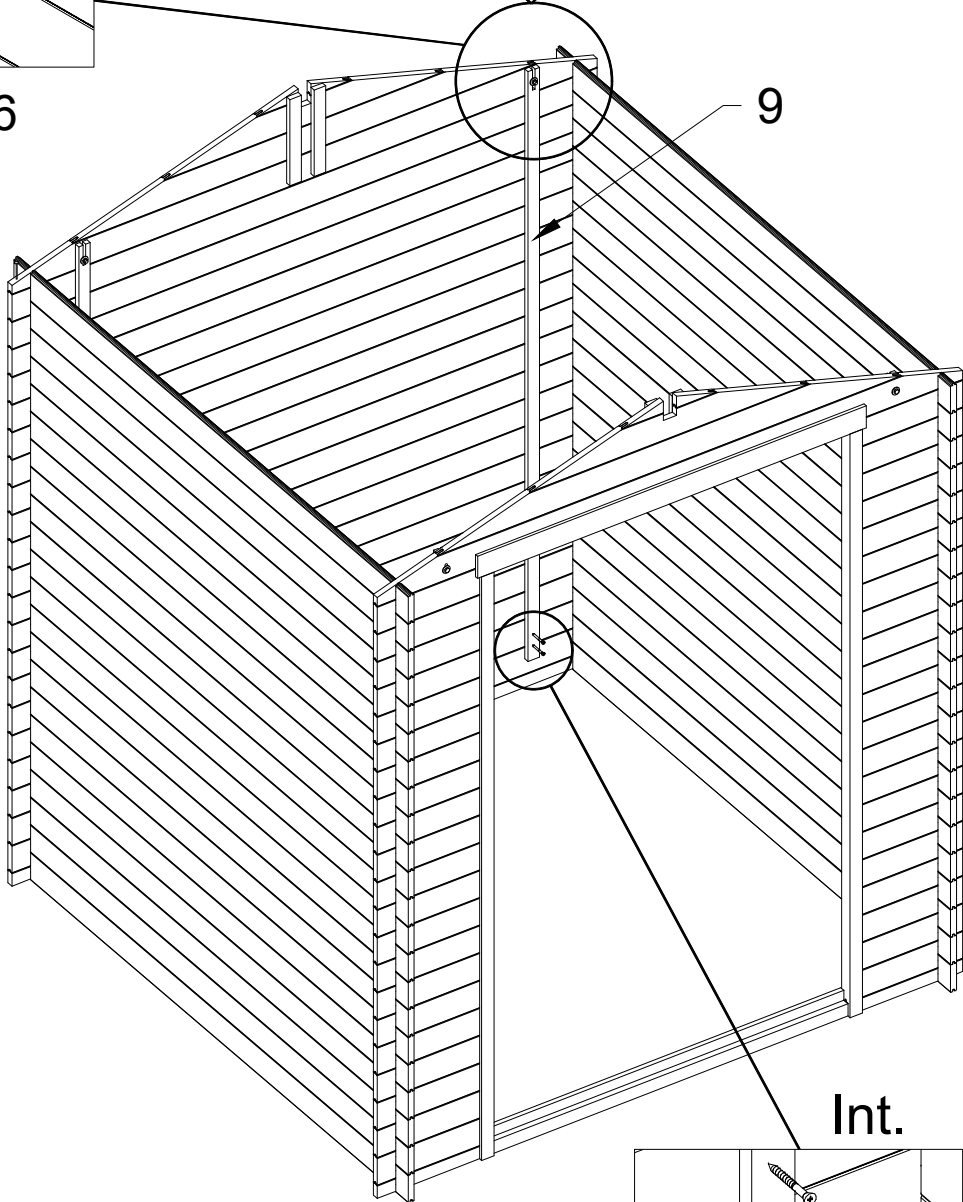


Int.

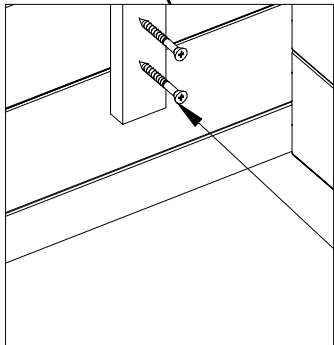


Ext.

D x4



9

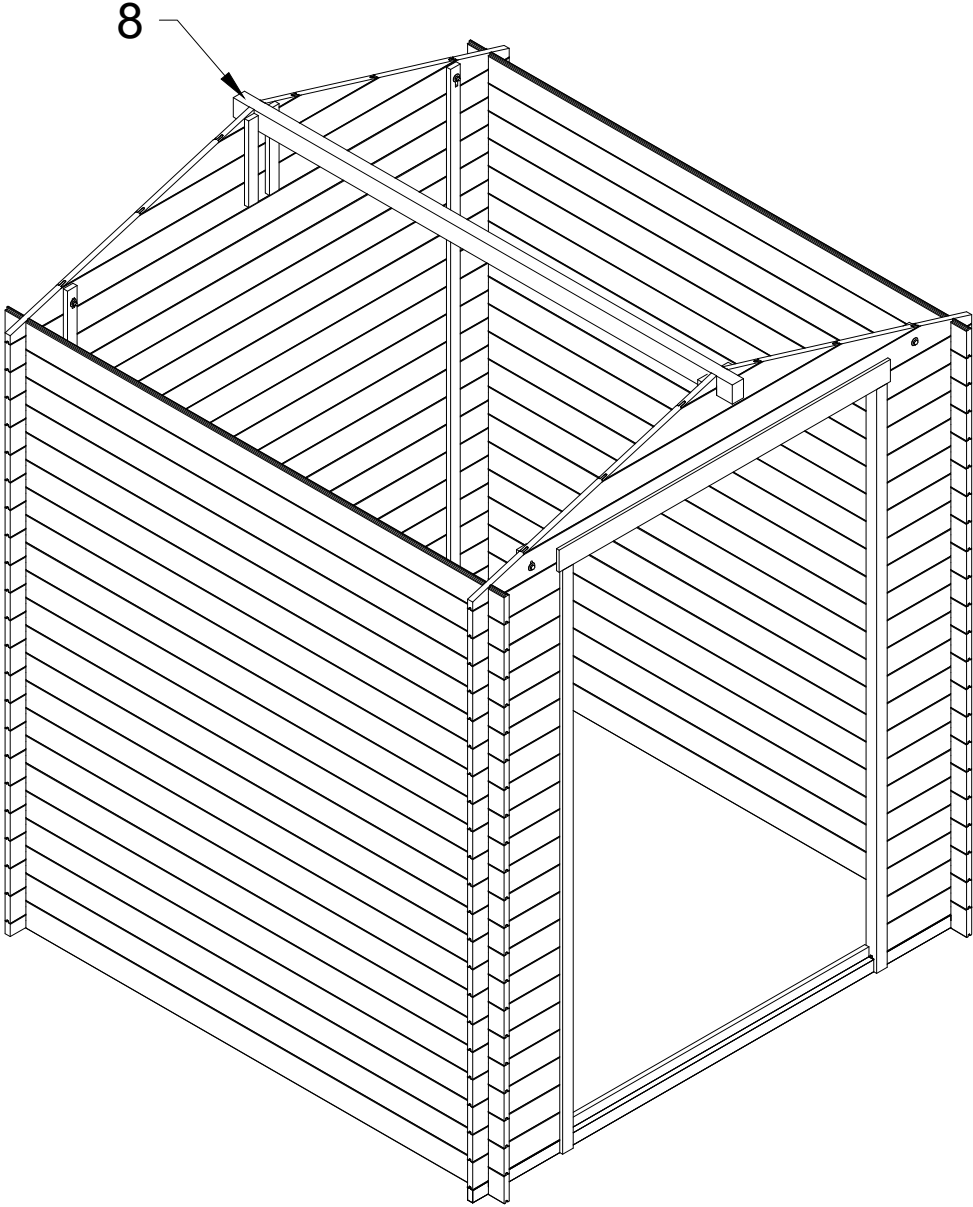


Int.

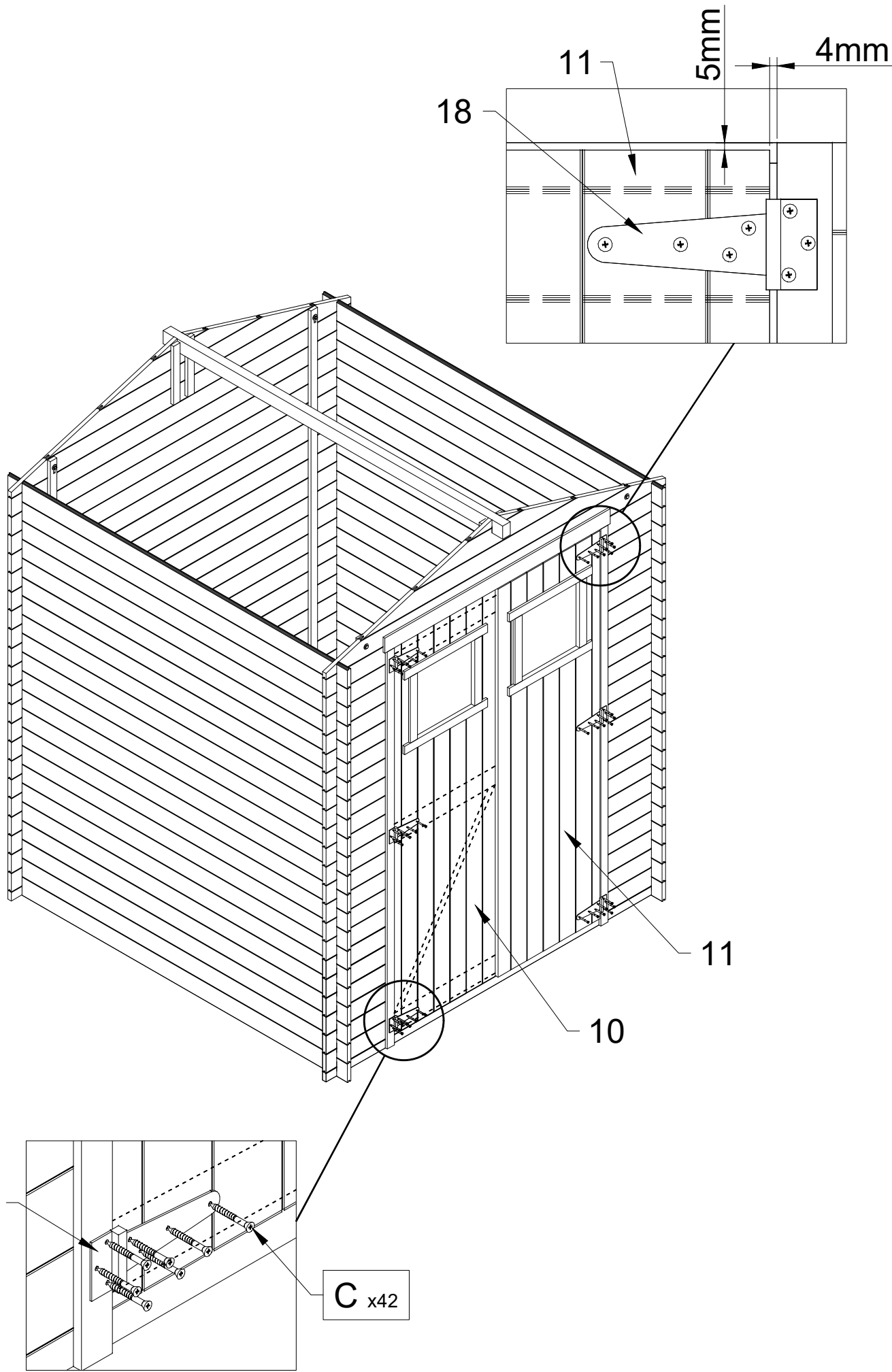
C x8

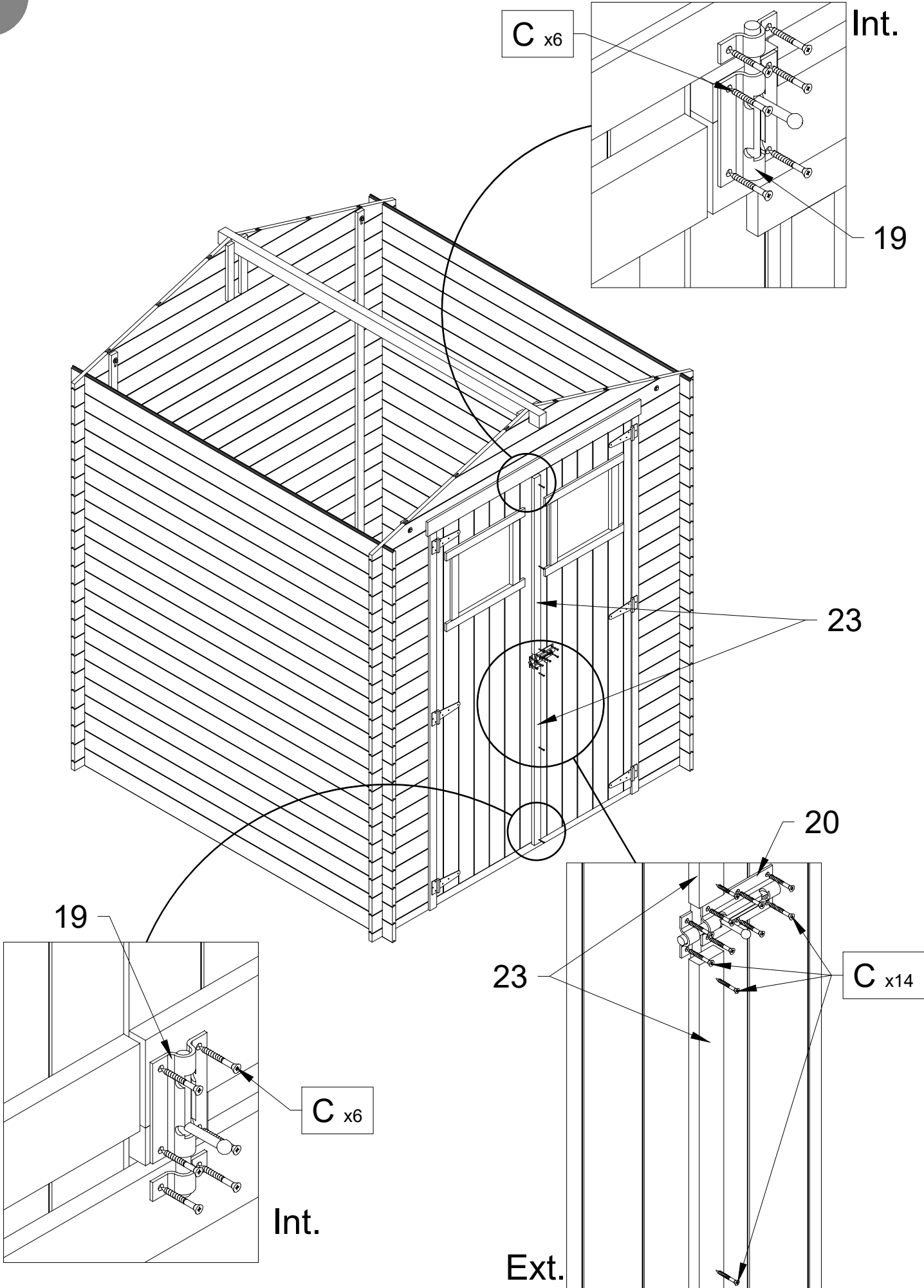


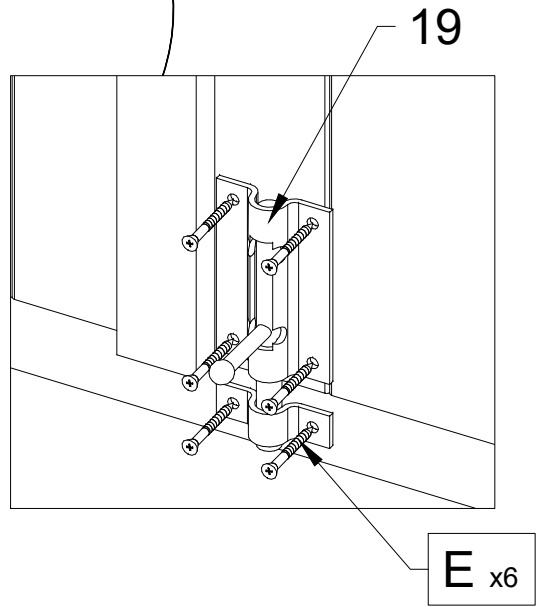
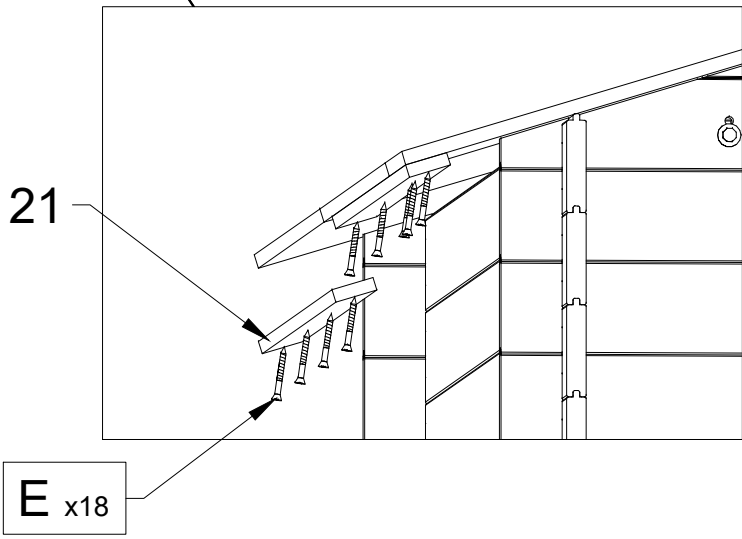
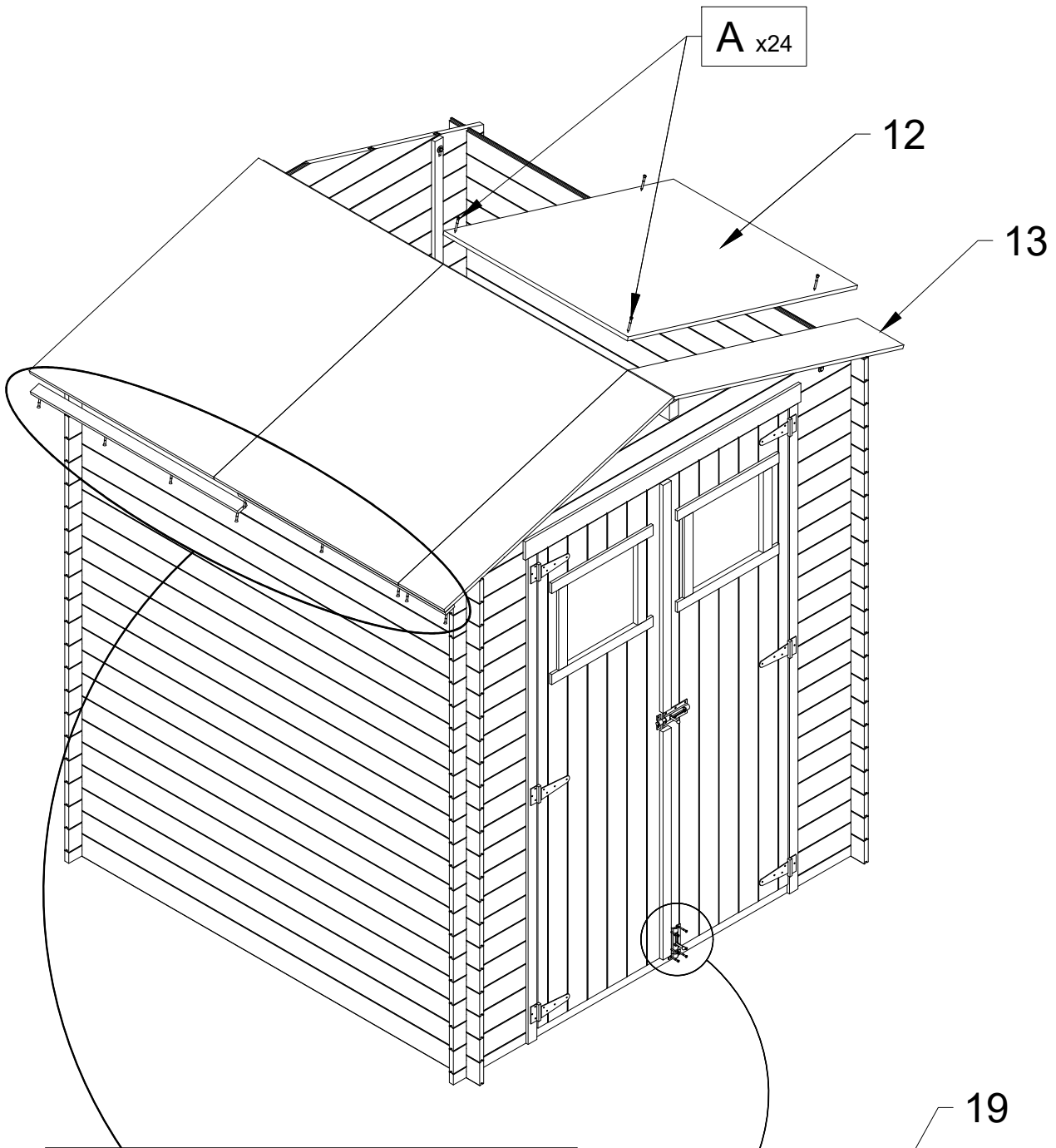
5

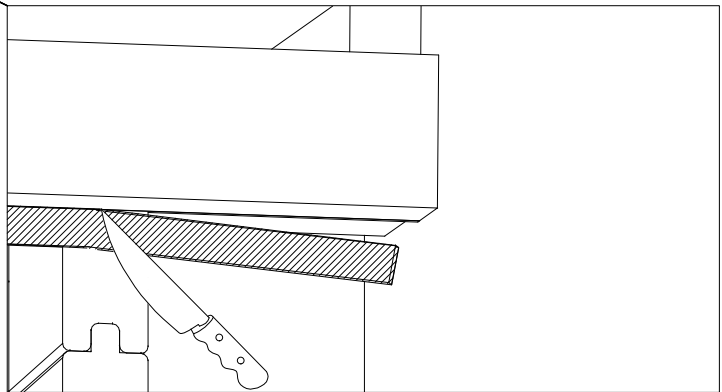
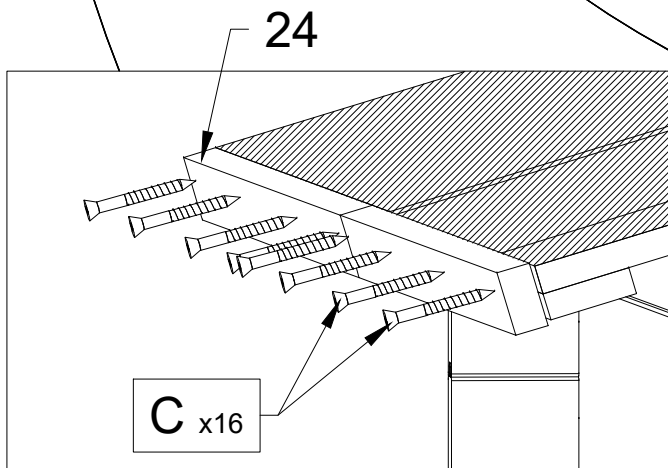
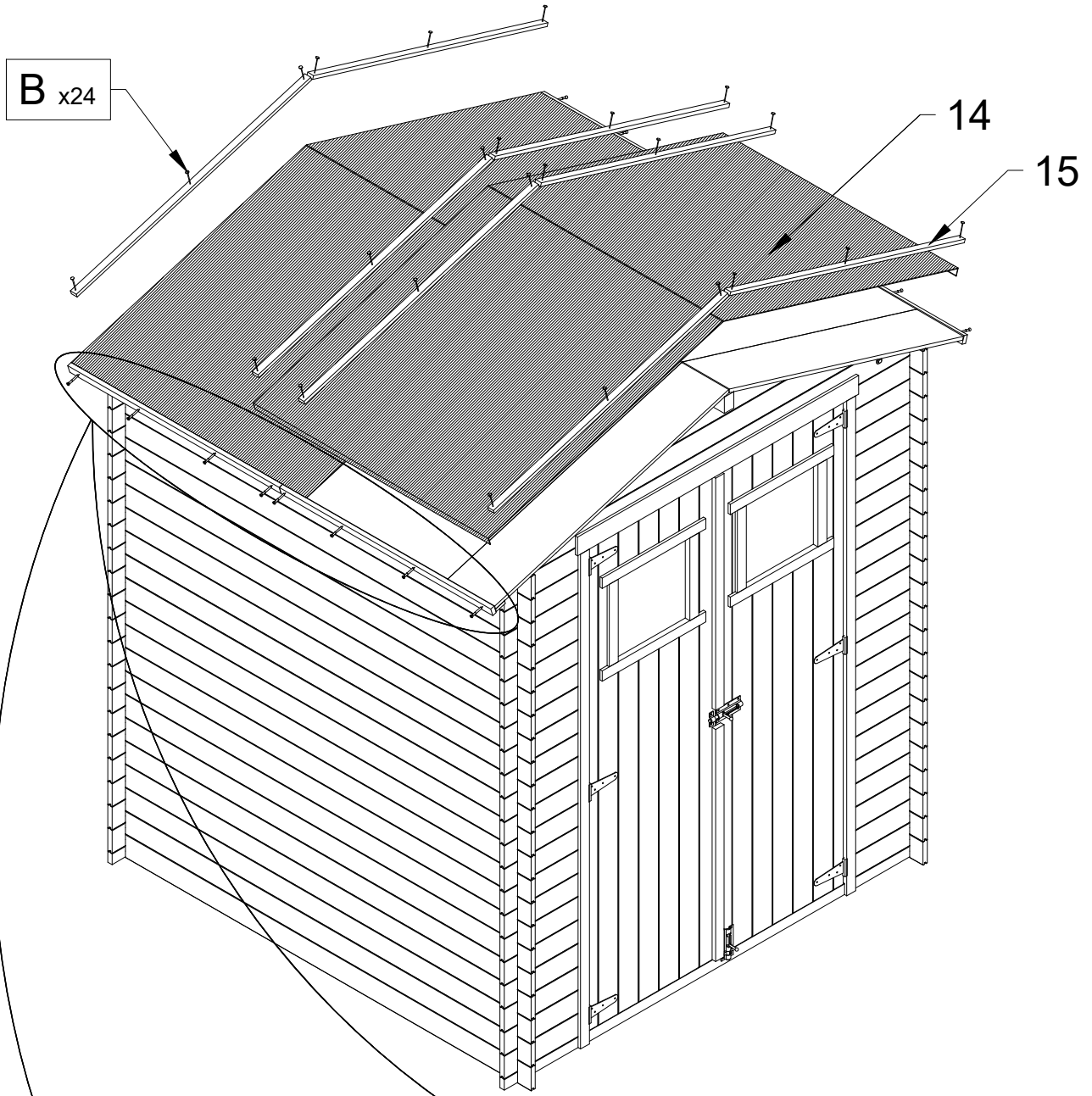


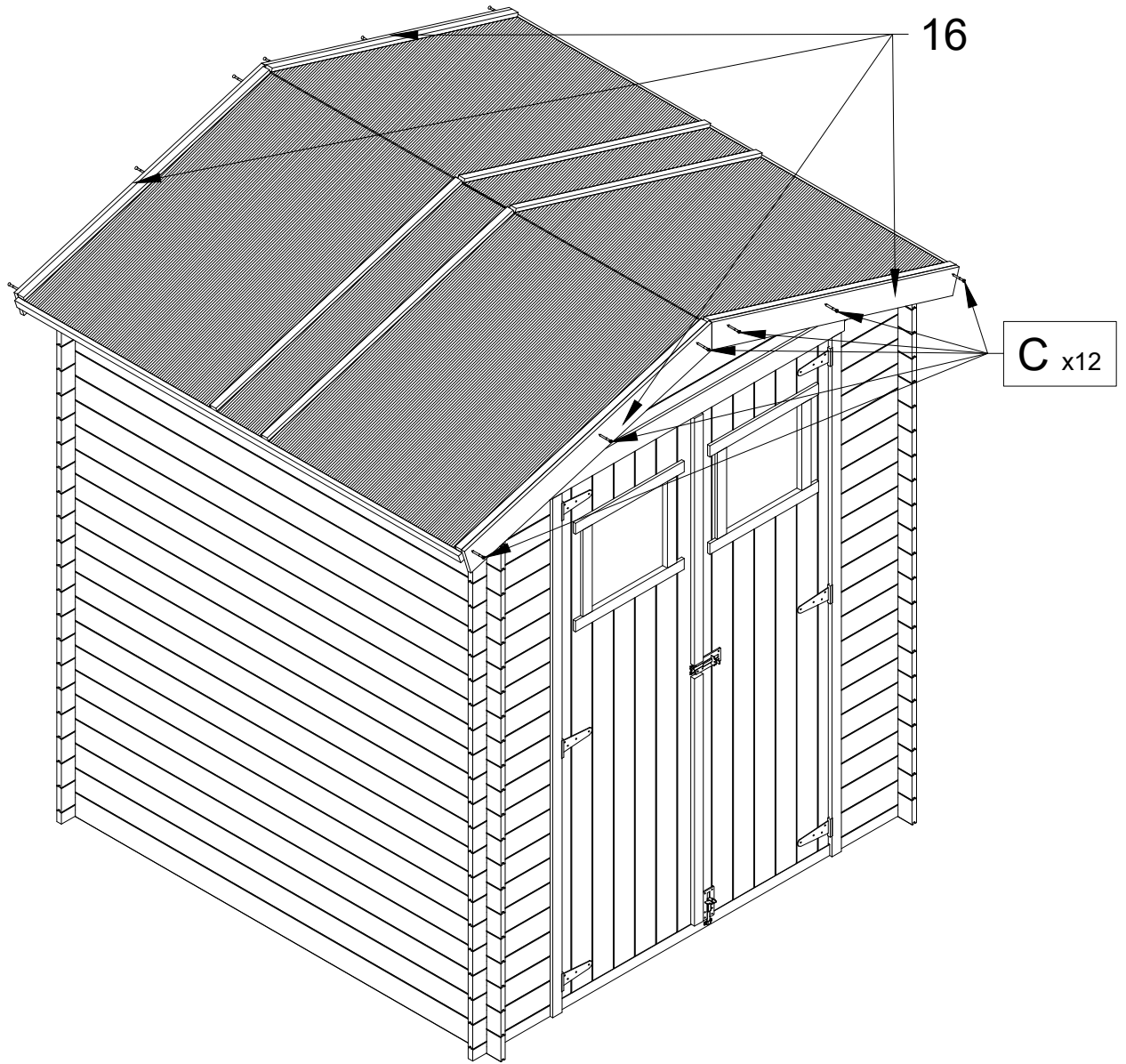
6



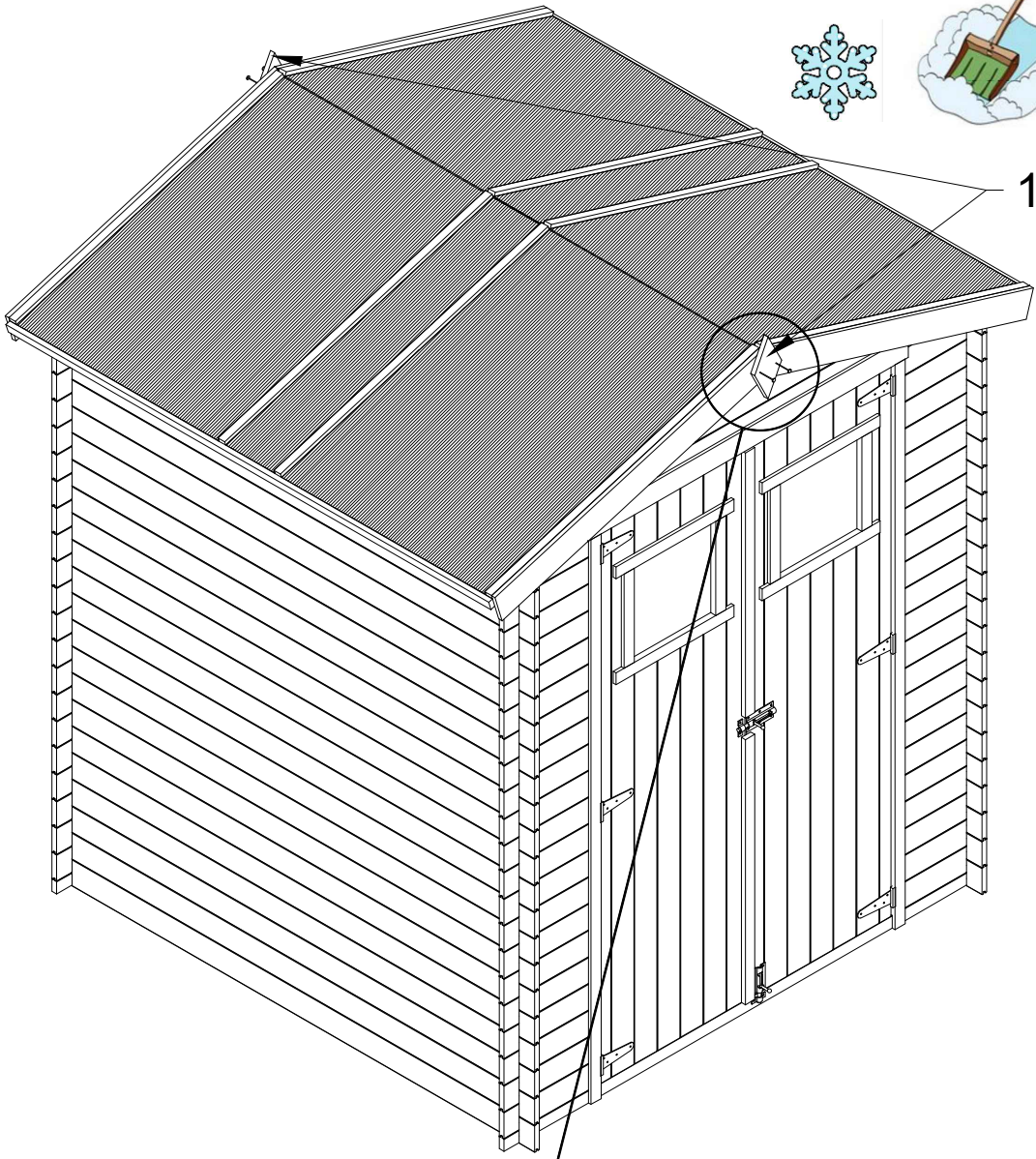




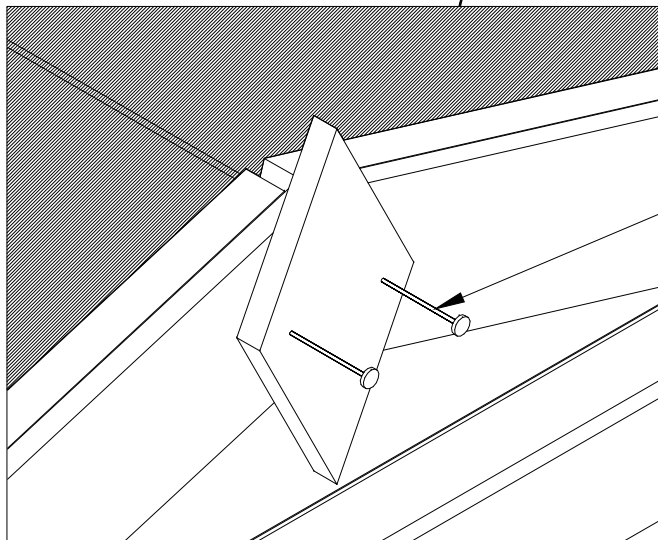




MAX  
30 kg/m<sup>2</sup>



17



B x4