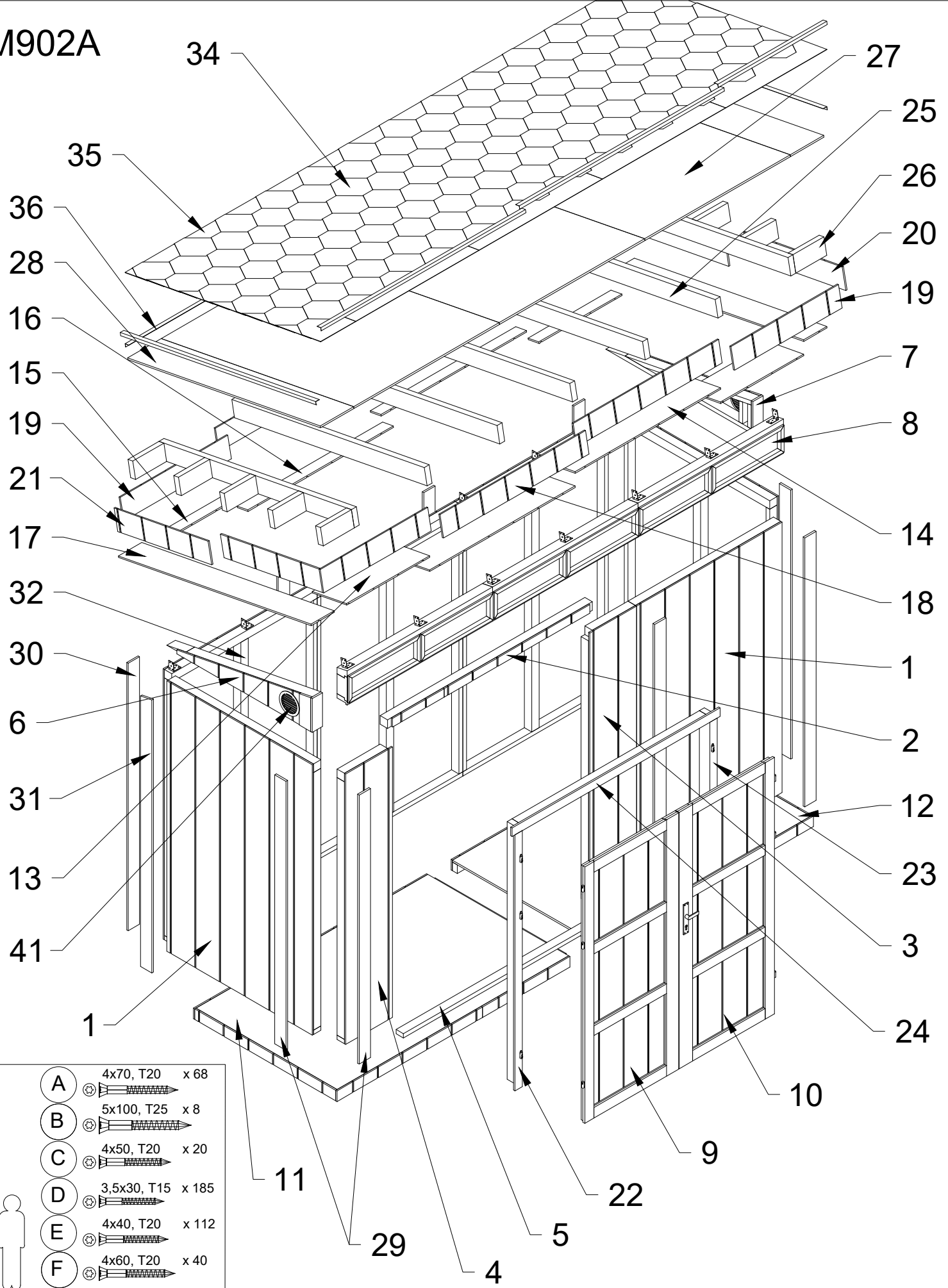
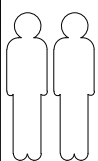
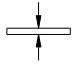
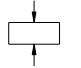
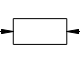






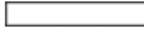
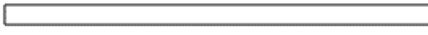


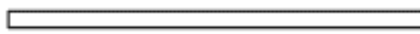
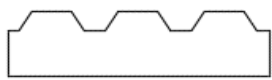
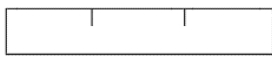

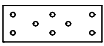




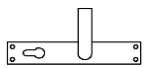

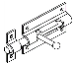



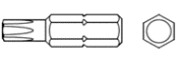
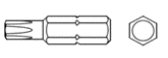
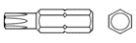
# M902A



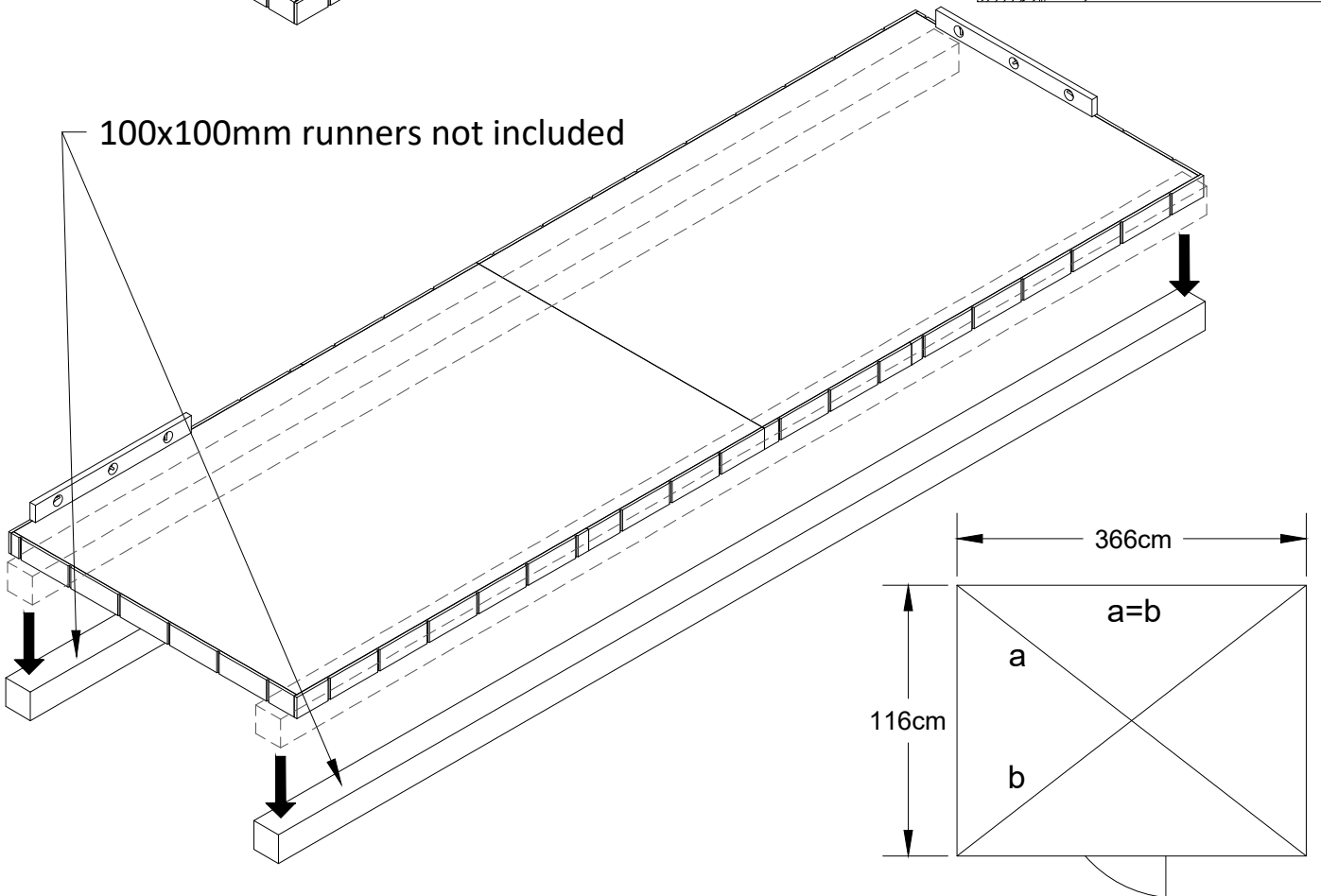
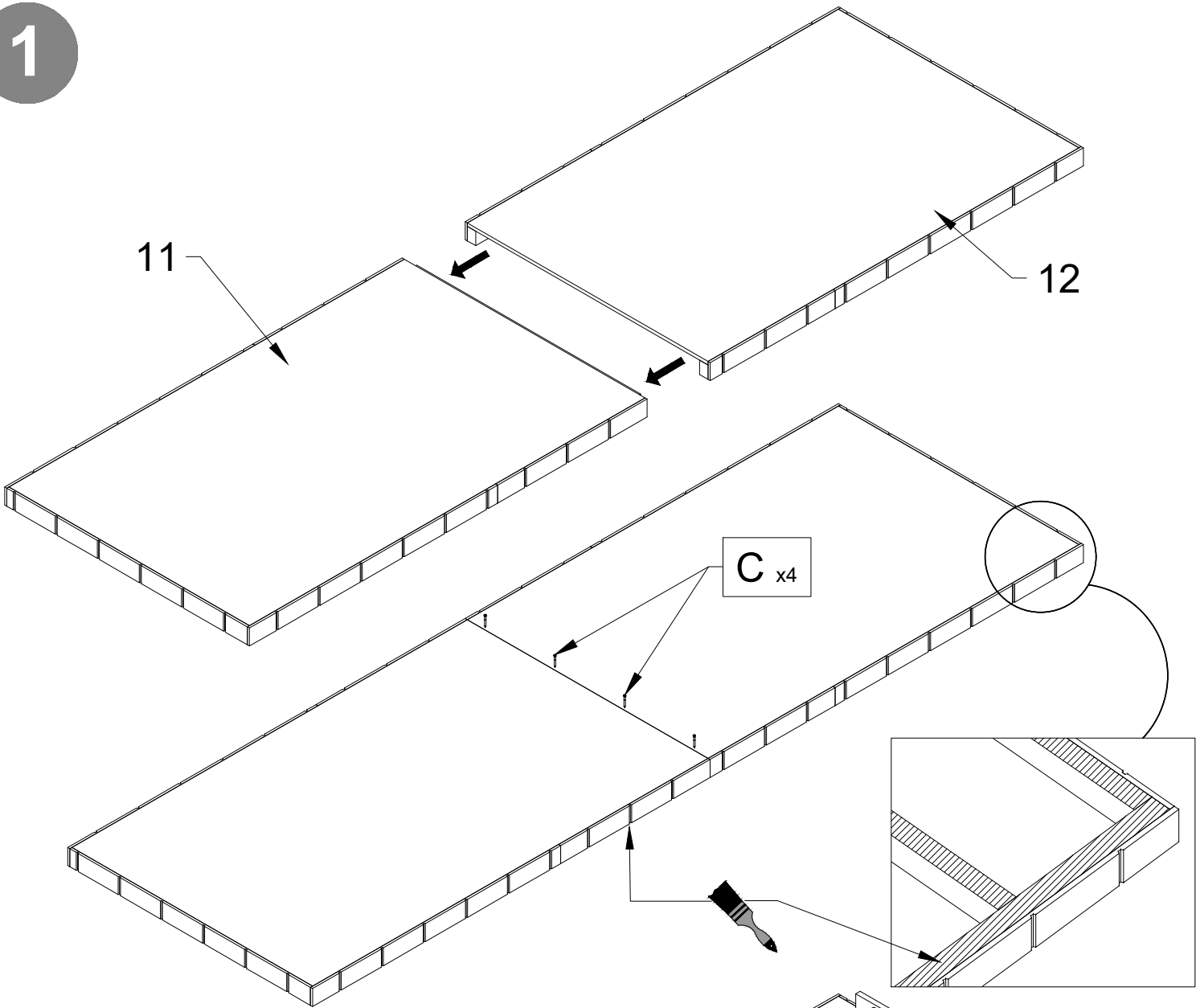
- |          |             |          |
|----------|-------------|----------|
| <b>A</b> | 4x70, T20   | x 68     |
| <b>B</b> | 5x100, T25  | x 8      |
| <b>C</b> | 4x50, T20   | x 20     |
| <b>D</b> | 3,5x30, T15 | x 185    |
| <b>E</b> | 4x40, T20   | x 112    |
| <b>F</b> | 4x60, T20   | x 40     |
| <b>G</b> | 3x12        | x 6      |
| <b>H</b> | 2.5x50      | x 160    |
| <b>J</b> | 4x30        | x 5      |
| <b>K</b> | 3,1x15      | x 3 pack |



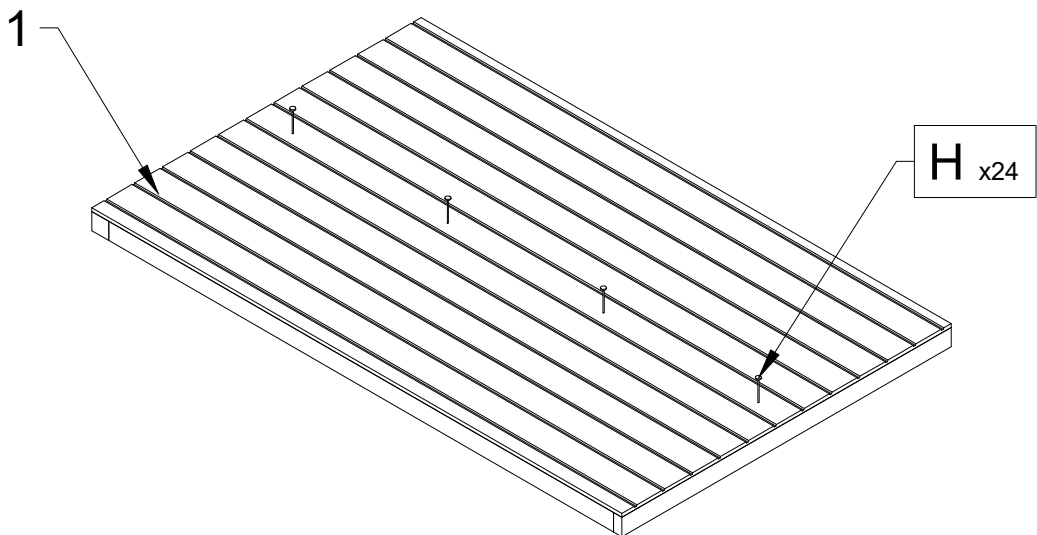
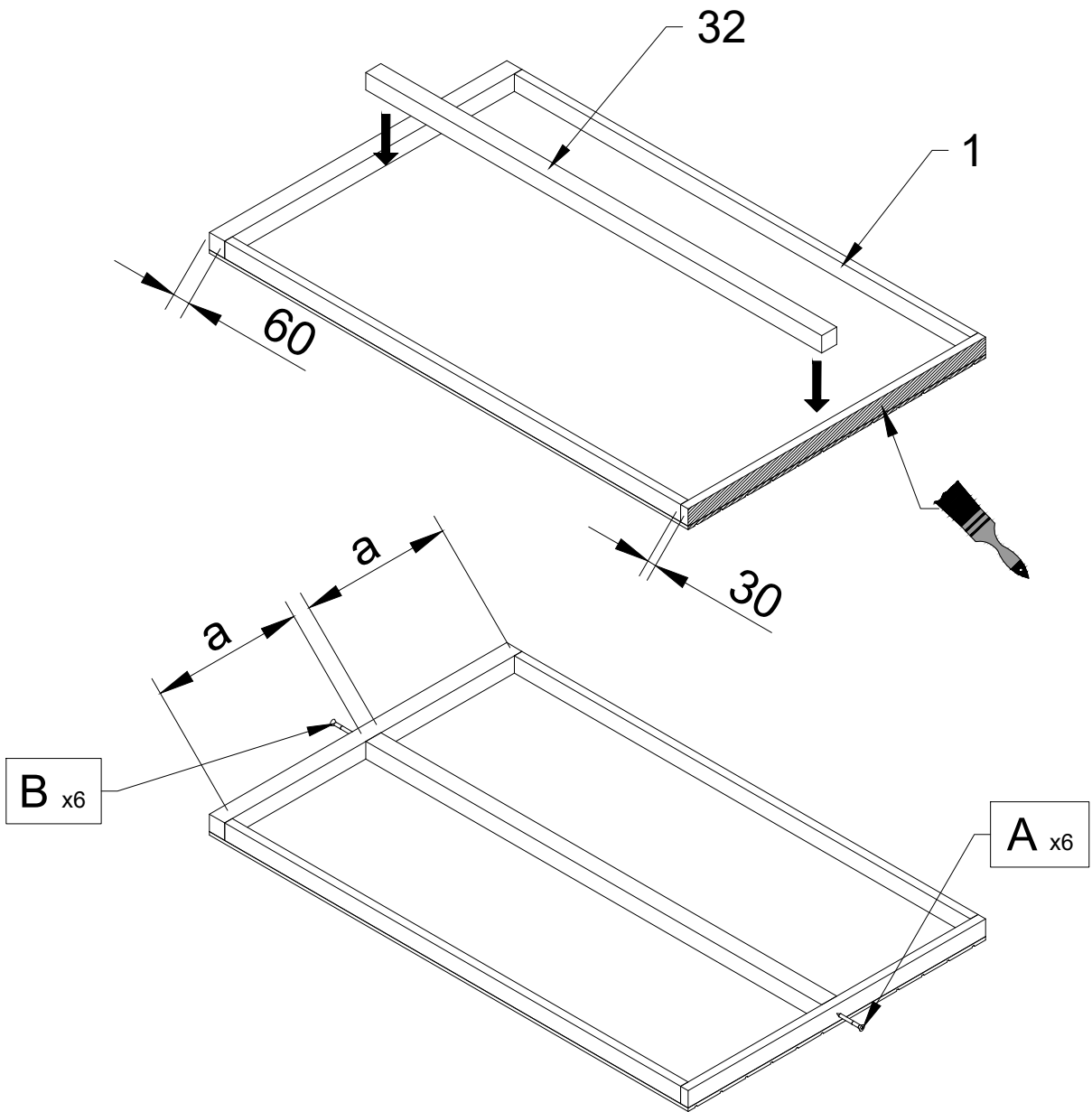
| №  | PCS |  |  |  |
|----|-----|--|---|---|
|    |     | mm   | mm  | mm  |
| 1  | 6   |  | 1180  | 1900  |
| 2  | 1   |  | 60  | 1660  |
| 3  | 1   |  | 380   | 1900  |
| 4  | 1   |  | 380   | 1900  |
| 5  | 1   | 30   | 59  | 1600  |
| 6  | 1   |  | 238   | 1193  |
| 7  | 1   |  | 238   | 1193  |
| 8  | 3   |  | 240   | 1180  |
| 9  | 1   |  | 772   | 1801  |
| 10 | 1   |  | 772   | 1801  |
| 11 | 1   |  | 1164  | 1910  |
| 12 | 1   |  | 1164  | 1774  |
| 13 | 2   | 10   | 284   | 673   |
| 14 | 2   | 10   | 284   | 1180  |
| 15 | 2   | 10   | 89  | 673   |
| 16 | 2   | 10   | 89  | 1180  |
| 17 | 2   | 10   | 189   | 1590  |
| 18 | 4   | 10   | 154   | 1180  |
| 19 | 4   | 10   | 154   | 872   |
| 20 | 2   | 10   | 154   | 814   |
| 21 | 2   | 10   | 154   | 776   |
| 22 | 1   | 60   | 82  | 1839  |
| 23 | 1   | 60   | 82  | 1839  |

|      |   |        |     |      |      |
|------|---|--------|-----|------|------|
| 24   |    | 1      | 60  | 82   | 1688 |
| 25   |    | 7      | 40  | 120  | 1590 |
| 26   |    | 10     | 40  | 120  | 252  |
| 27   |    | 3      | 12  | 1180 | 1590 |
| 28   |    | 2      | 12  | 272  | 1590 |
| 29   |    | 5      | 13  | 92   | 1890 |
| 30   |    | 4      | 13  | 92   | 1885 |
| 31   |    | 2      | 13  | 92   | 1917 |
| 32   |    | 6      | 60  | 60   | 1810 |
| 34   |    | 3 pack |     |      |      |
| 35   |    | 5      |     |      | 1000 |
| 36   |    | 8      |     |      | 1660 |
| 37   |   | 4      |     |      |      |
| 38   |  | 14     |     |      |      |
| 39   |  | 6      |     |      |      |
| 39.1 |  | 6      |     |      |      |
| 40   |  | 1      |     |      |      |
| 40.1 |  | 1      |     |      |      |
| 41   |  | 2      |     |      |      |
| 42   |  | 2      |     |      |      |
| 43   |  | 1      |     |      |      |
| 44   |  | 1      |     |      |      |
| 45   |  | 1      |     |      |      |
| 46   |  | 1      | T25 |      |      |
| 47   |  | 1      | T20 |      |      |
| 48   |  | 1      | T15 |      |      |

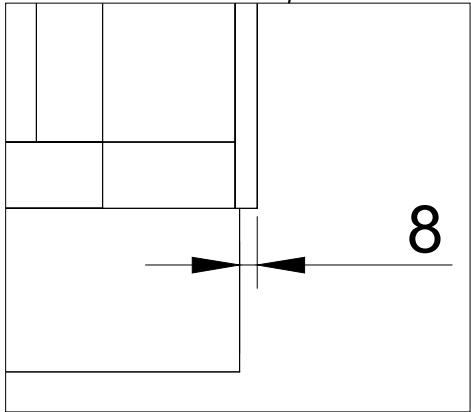
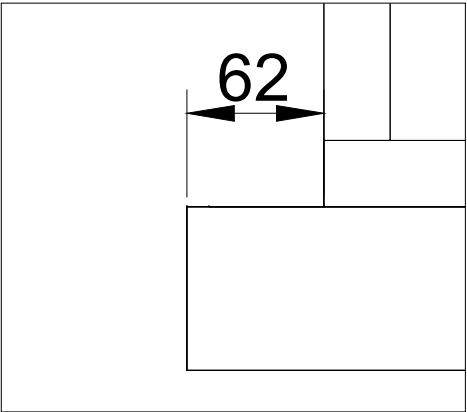
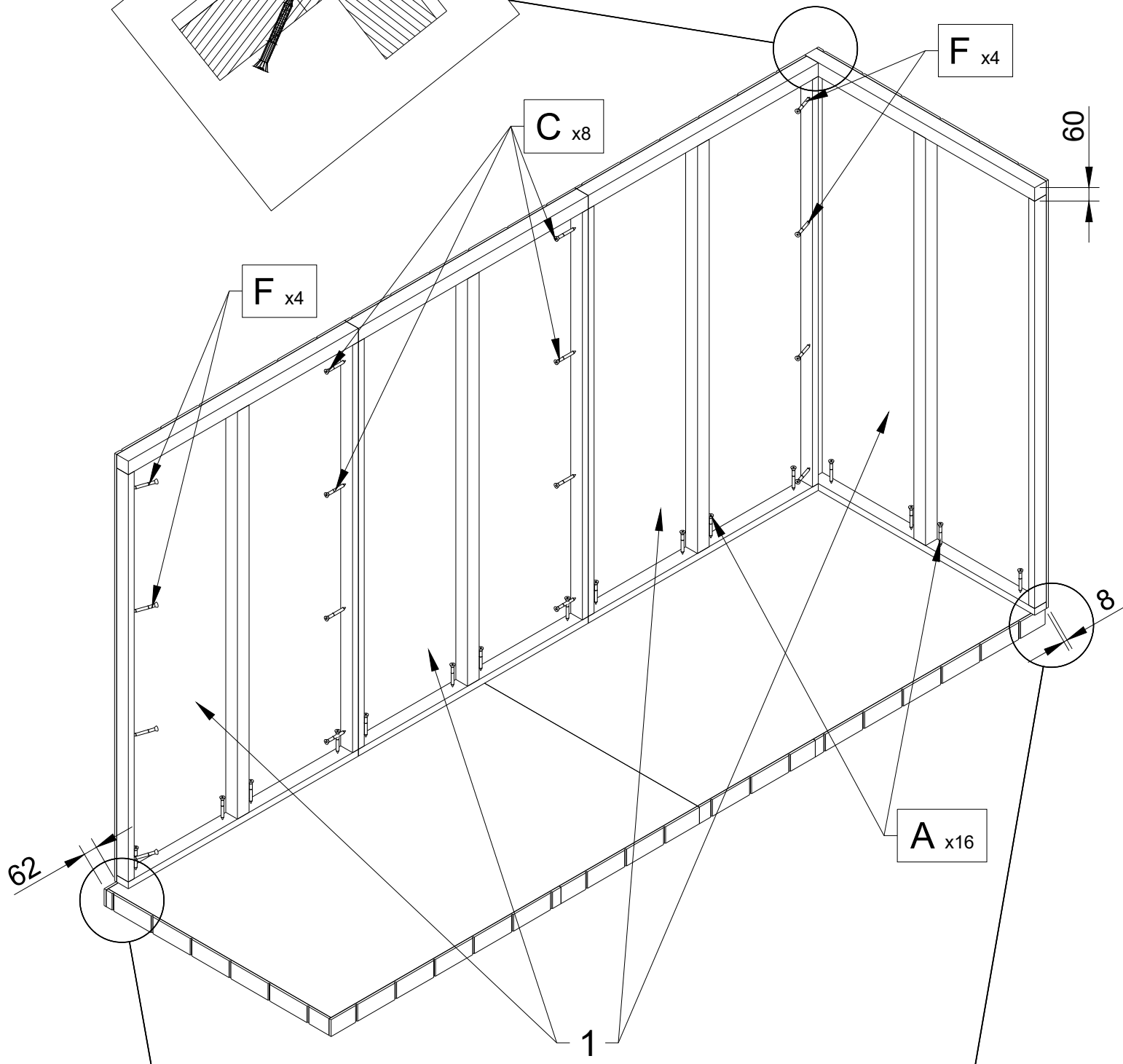
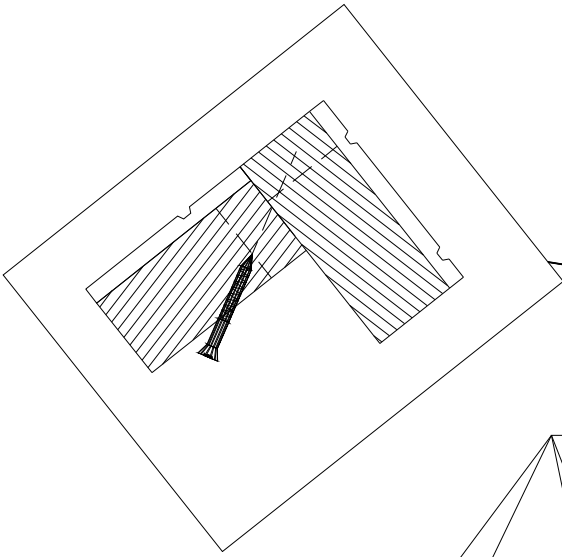
1



2



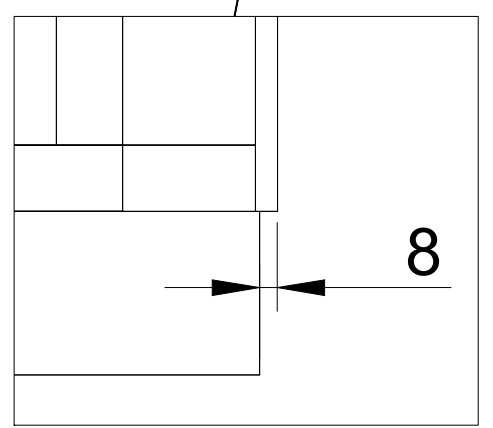
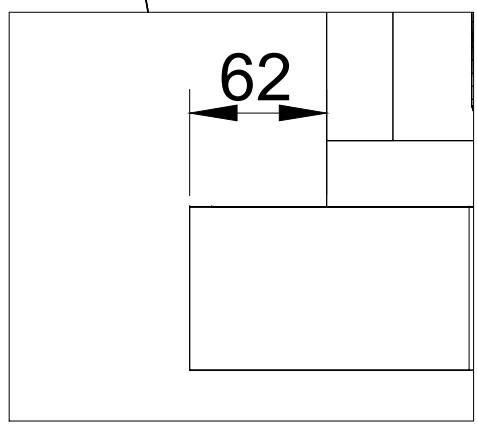
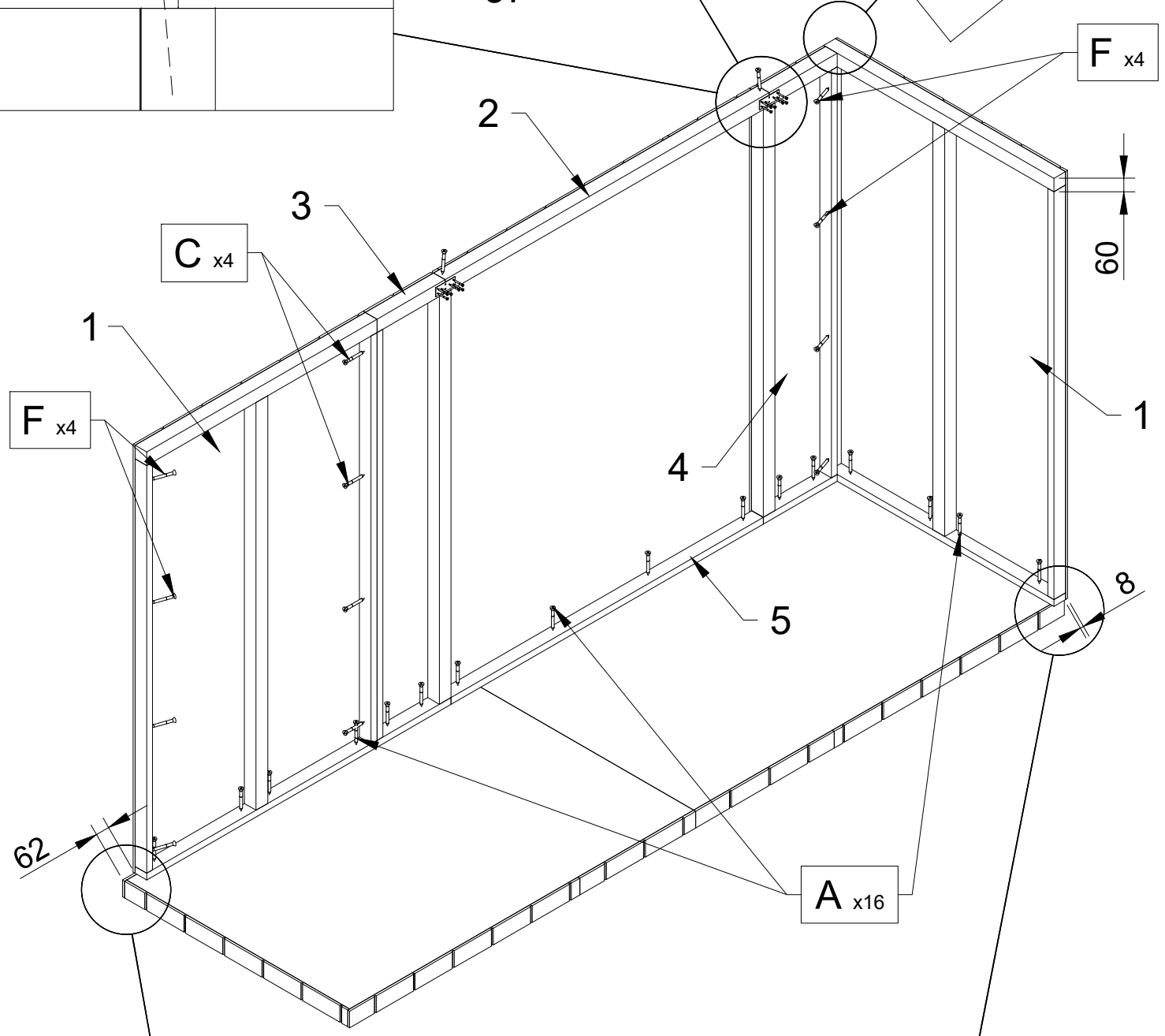
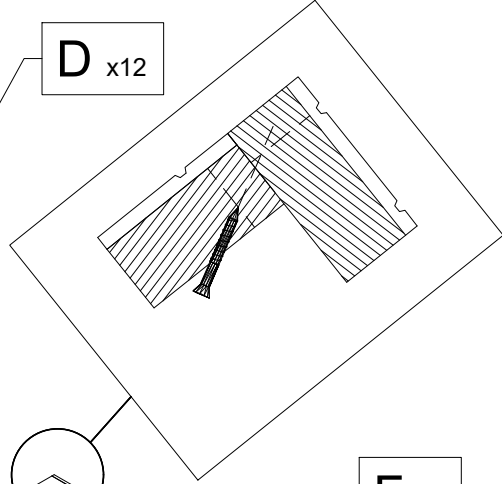
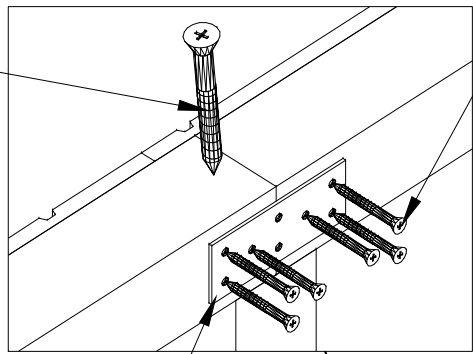
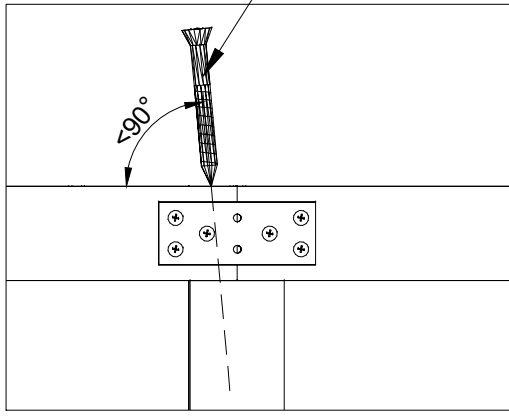
3



4

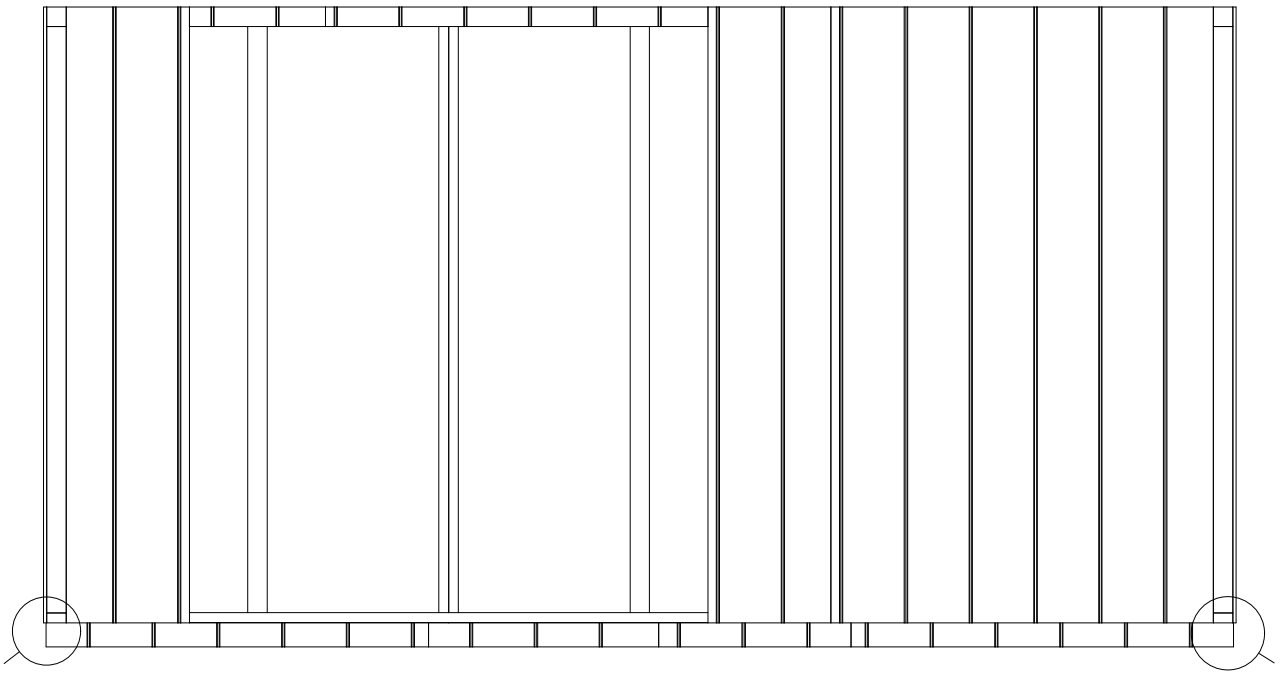
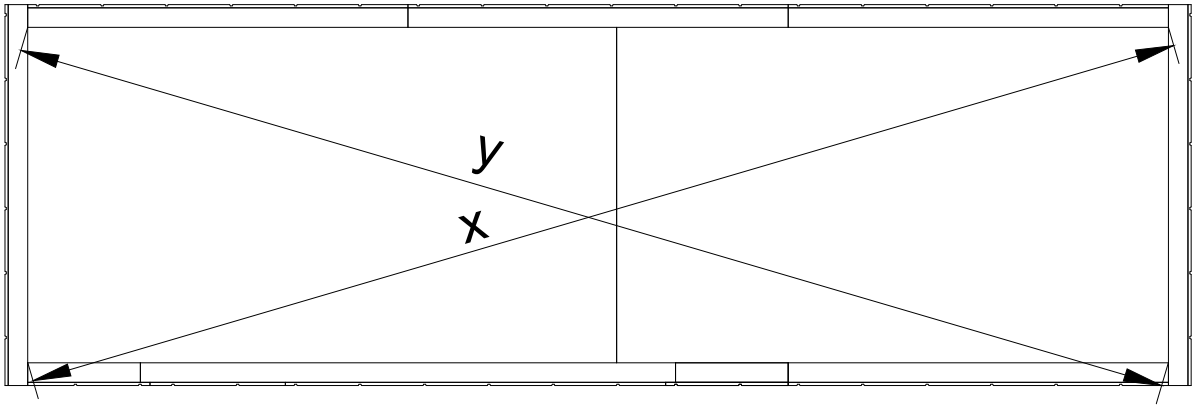
B x2

D x12



5

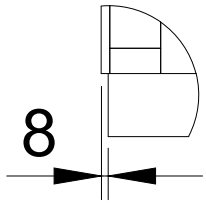
$$x=y$$



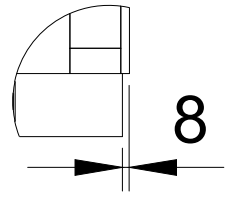
A

B

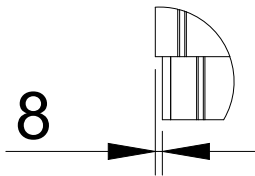
Det A



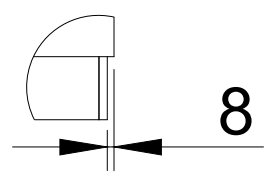
Det B



Det C



Det D

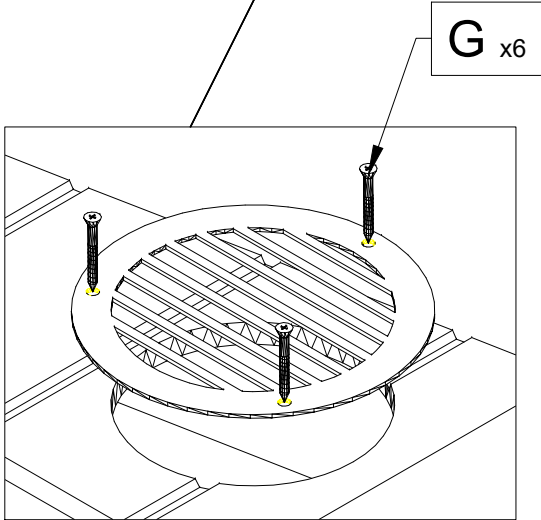
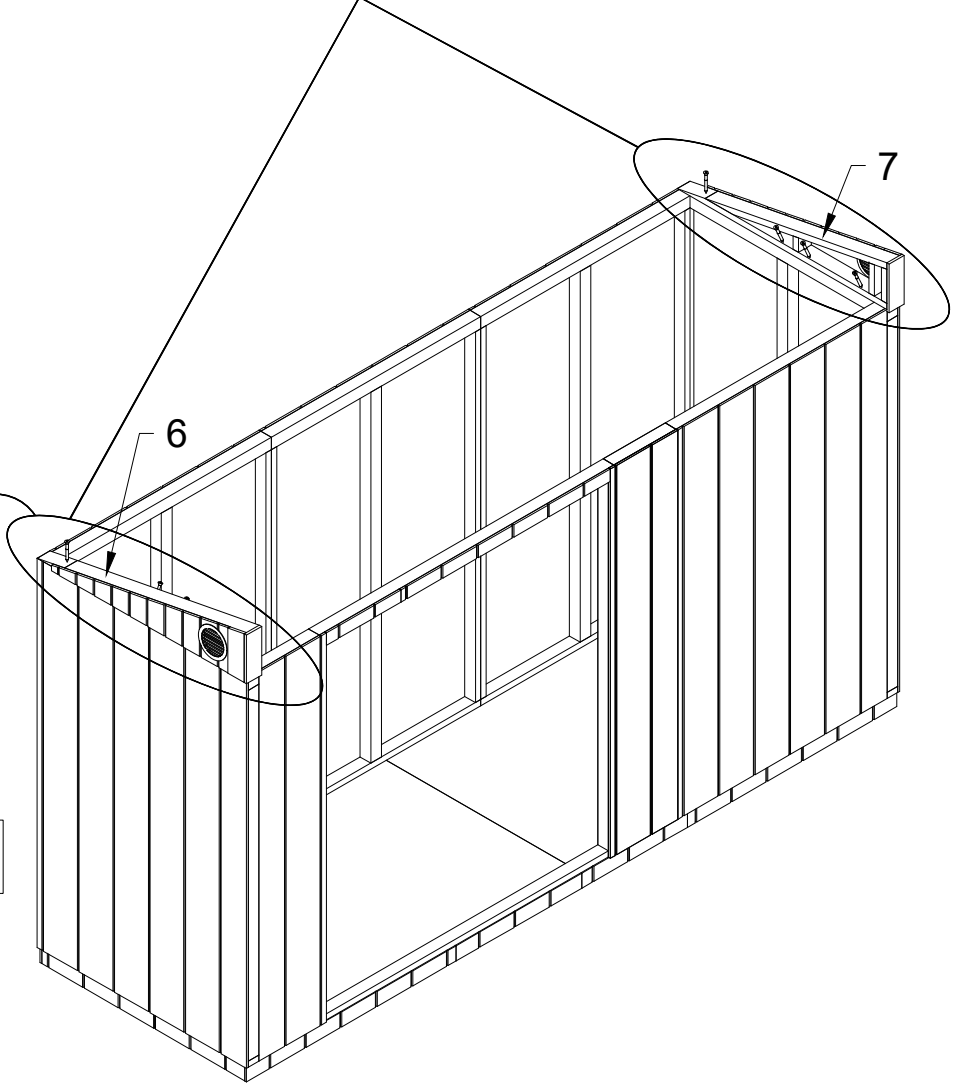
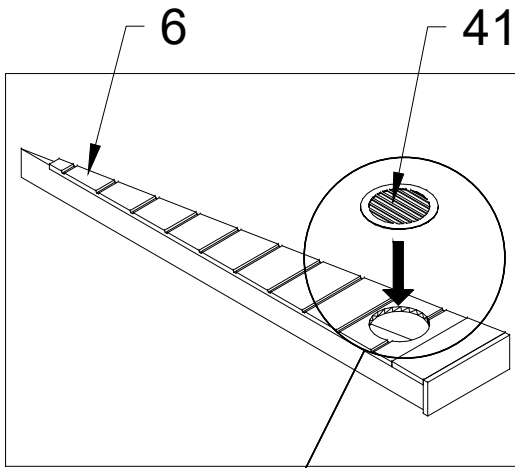
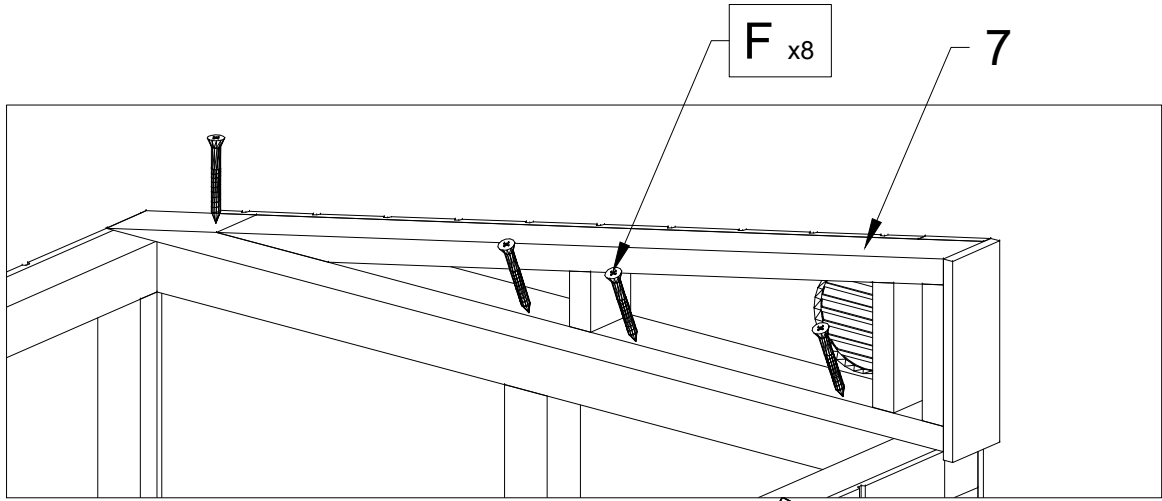


C

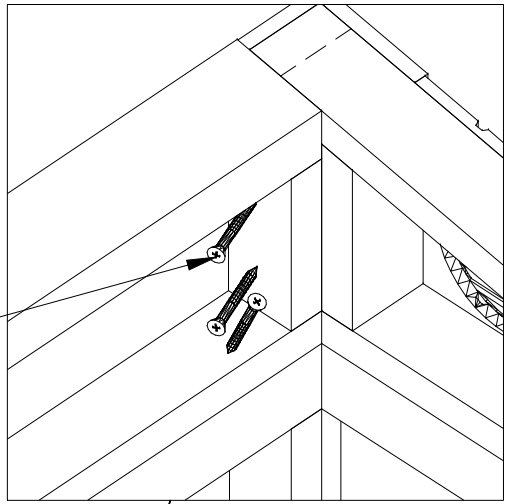
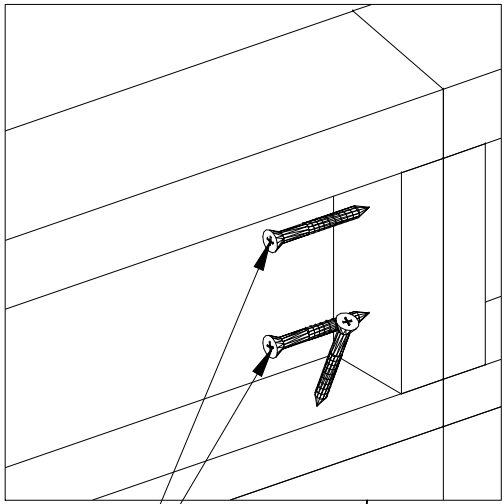
D



6



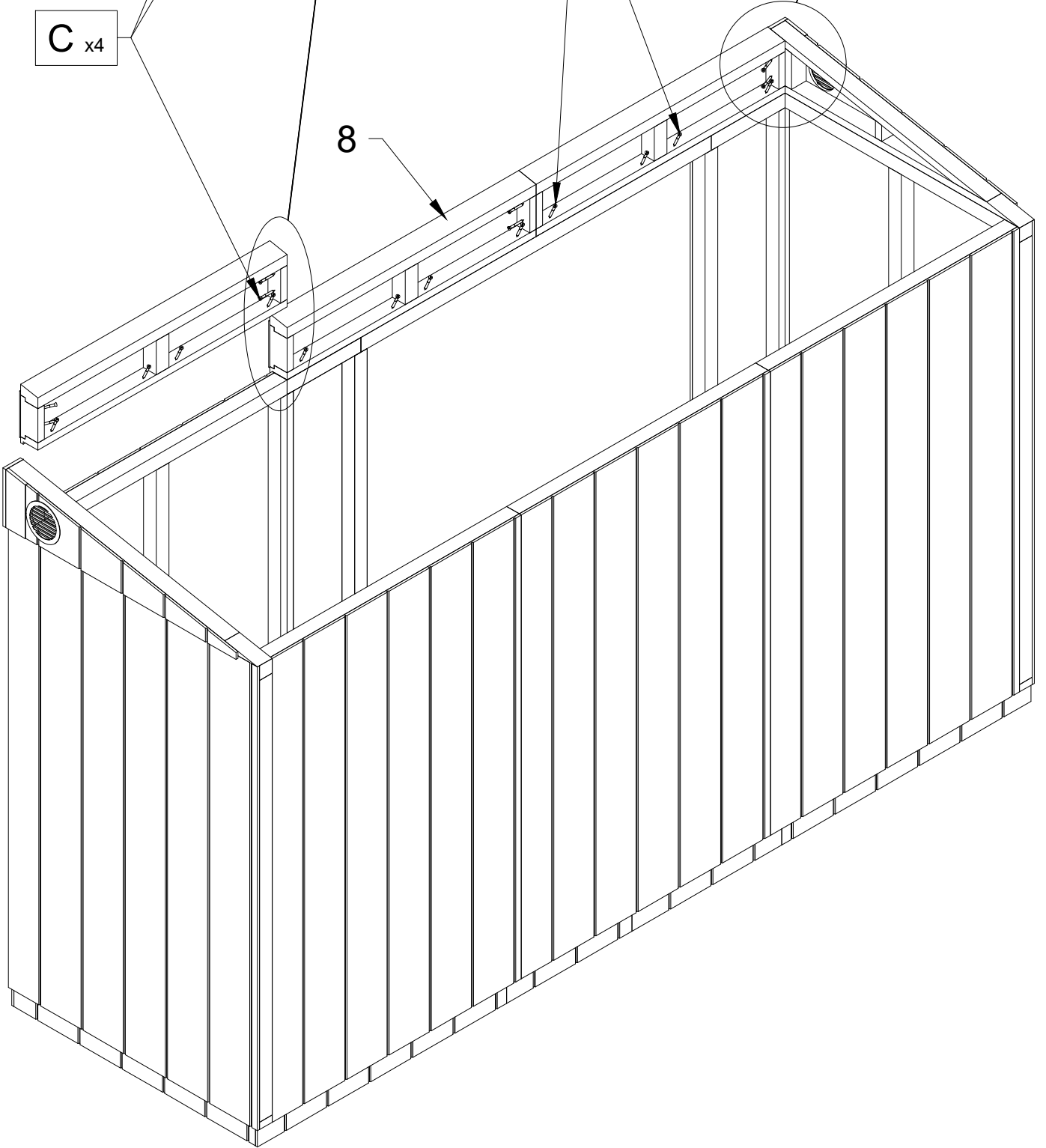
7



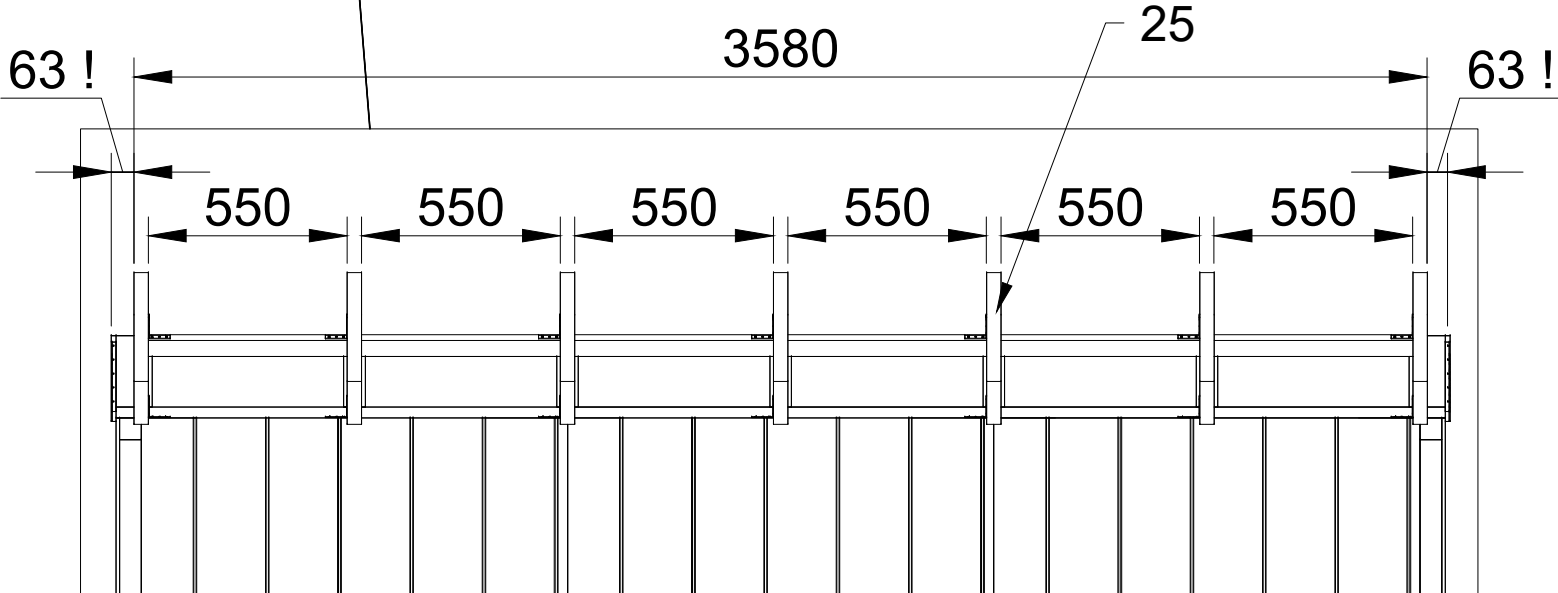
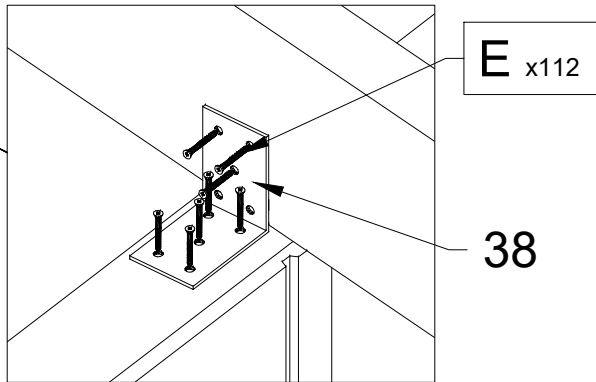
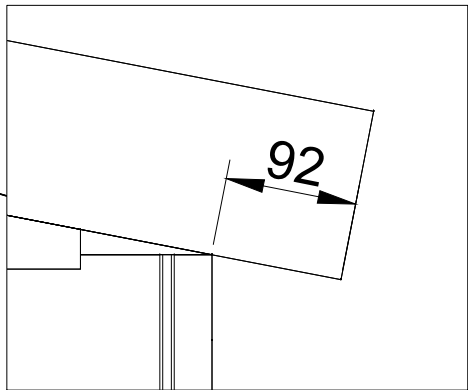
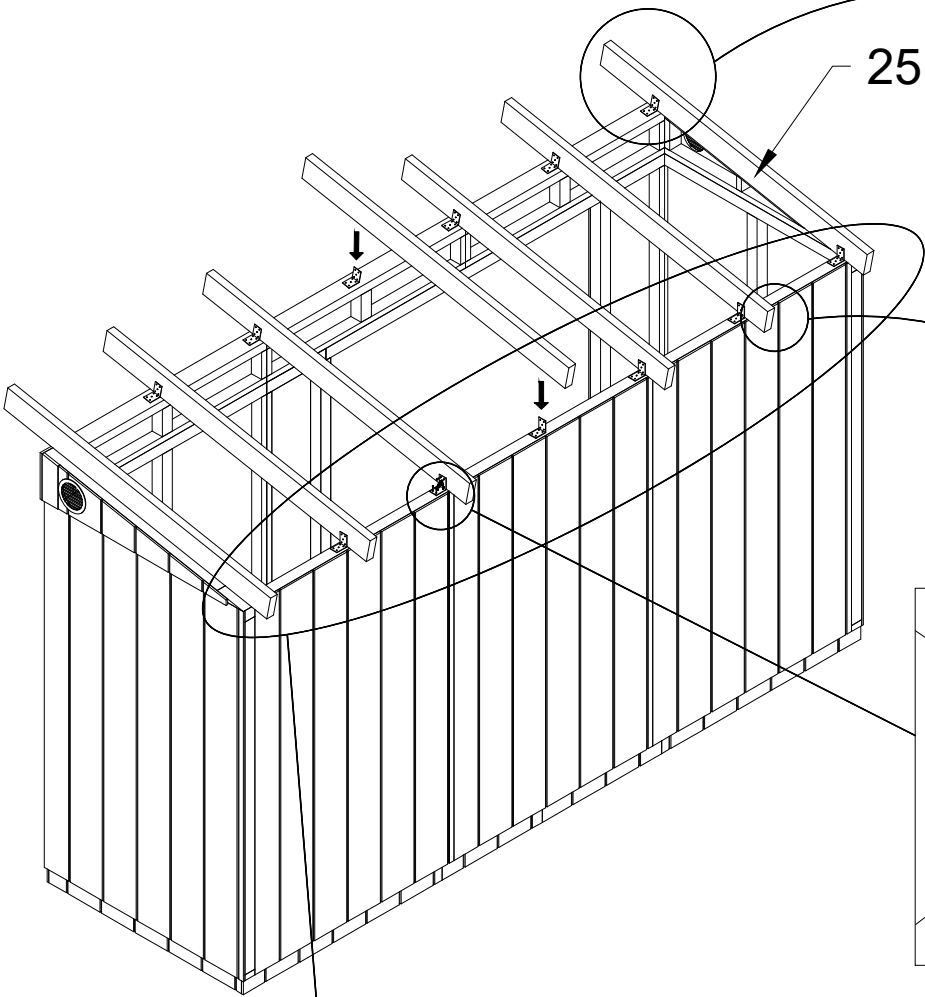
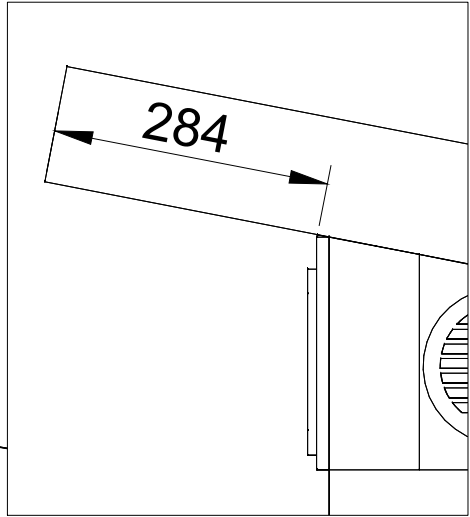
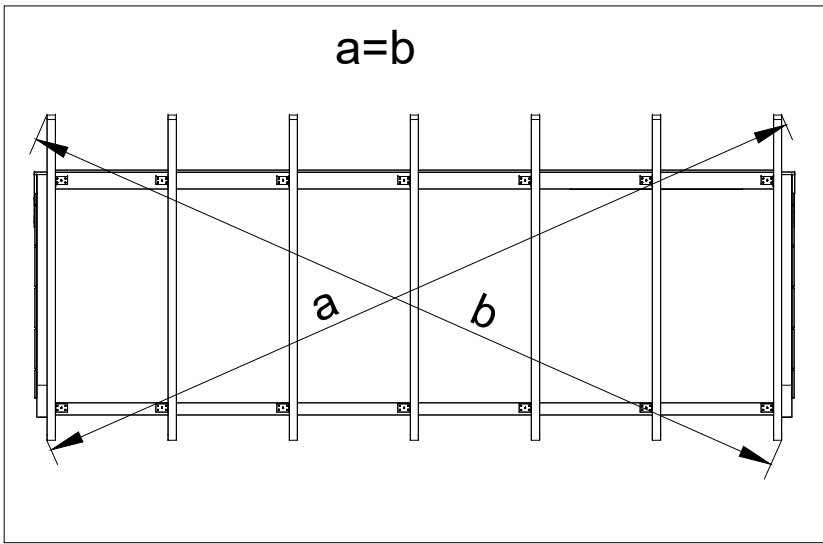
F x16

C x4

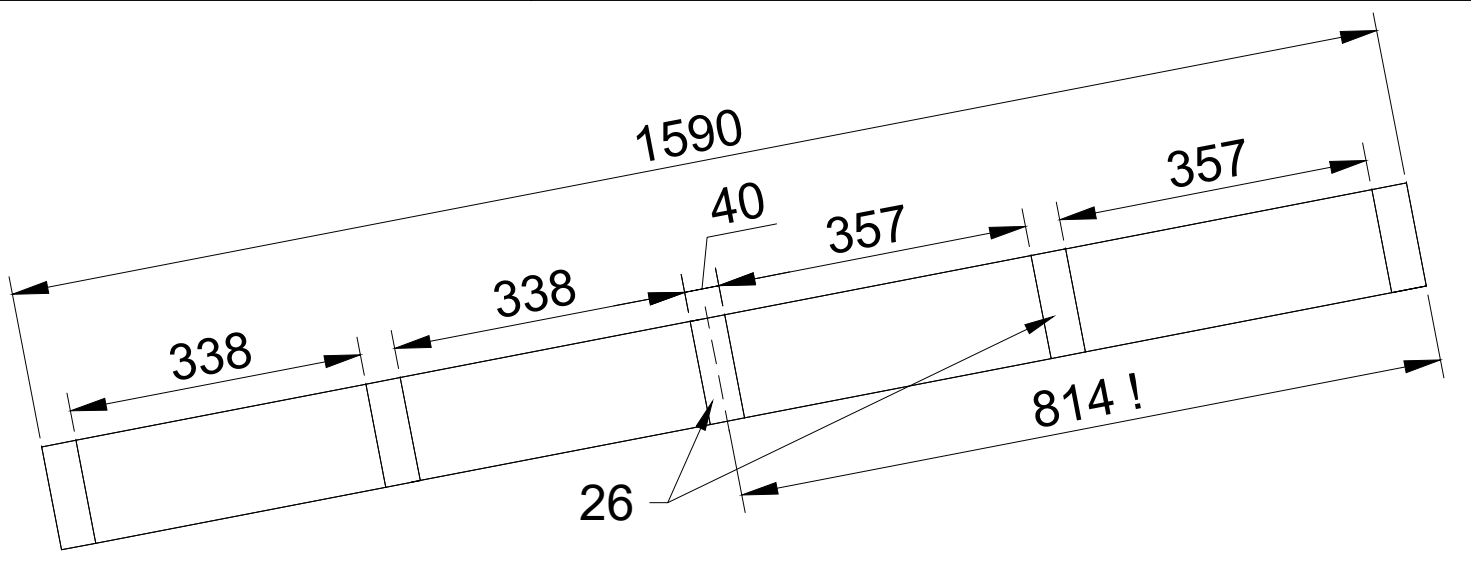
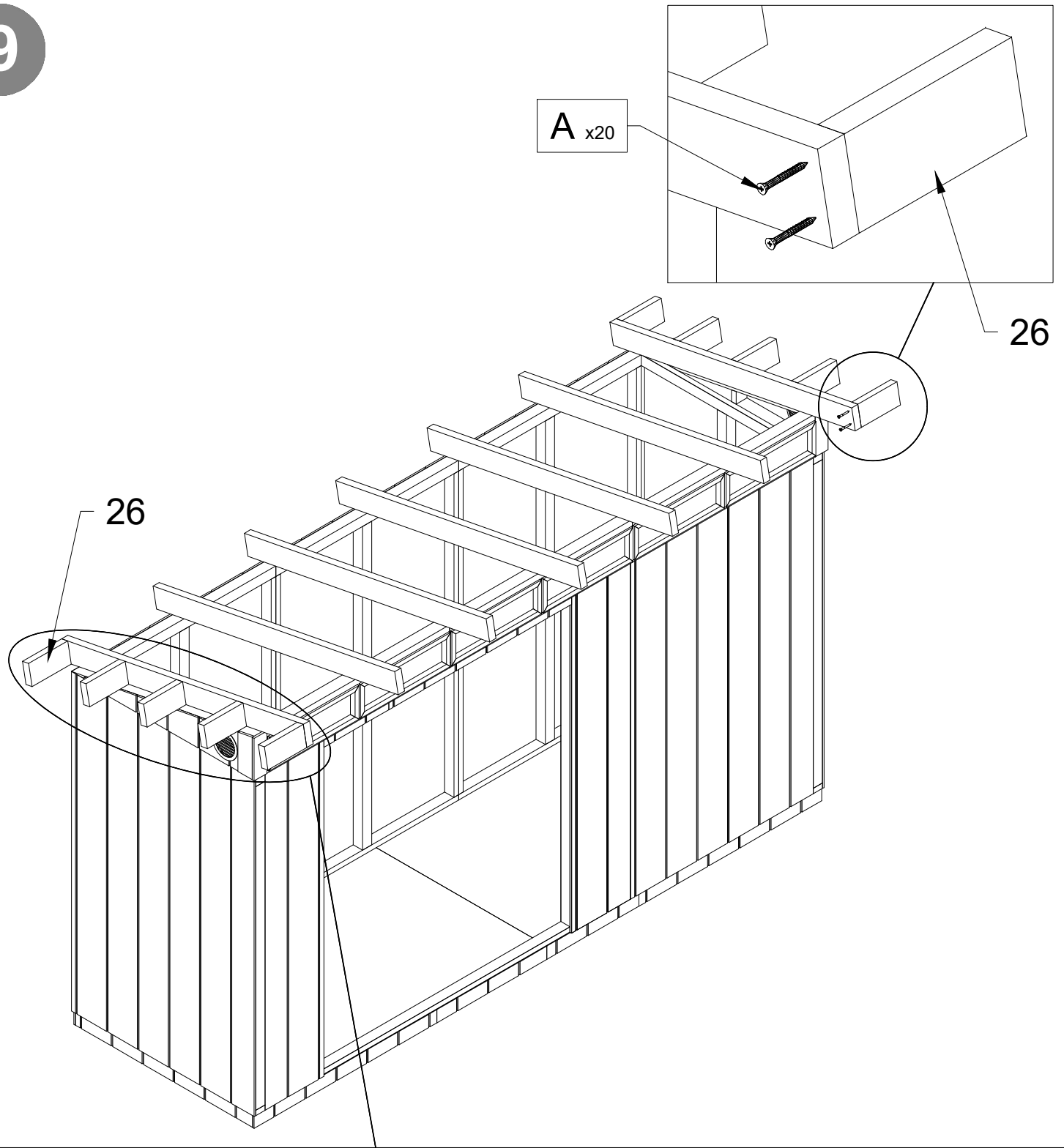
8

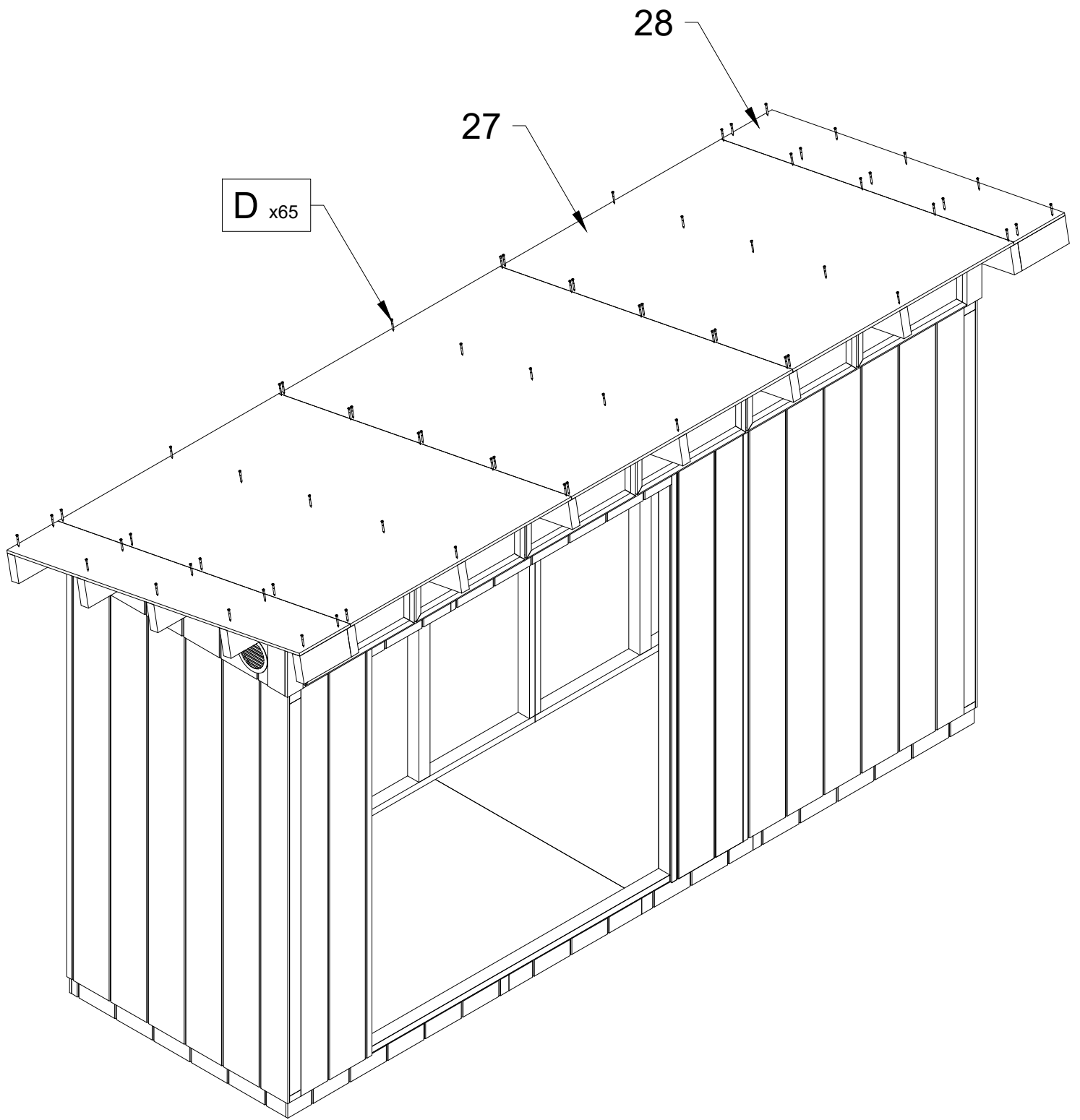


8

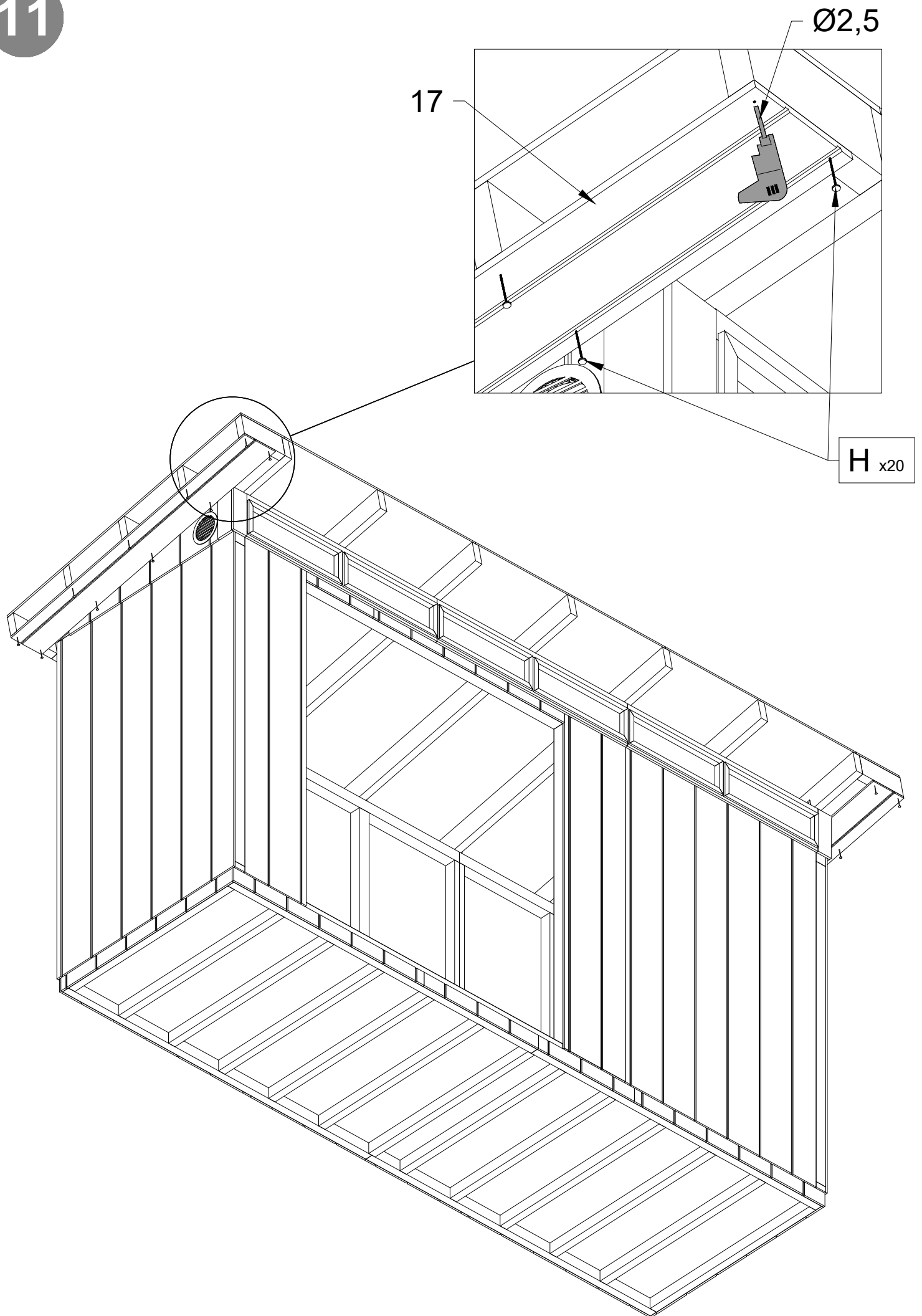


9





11

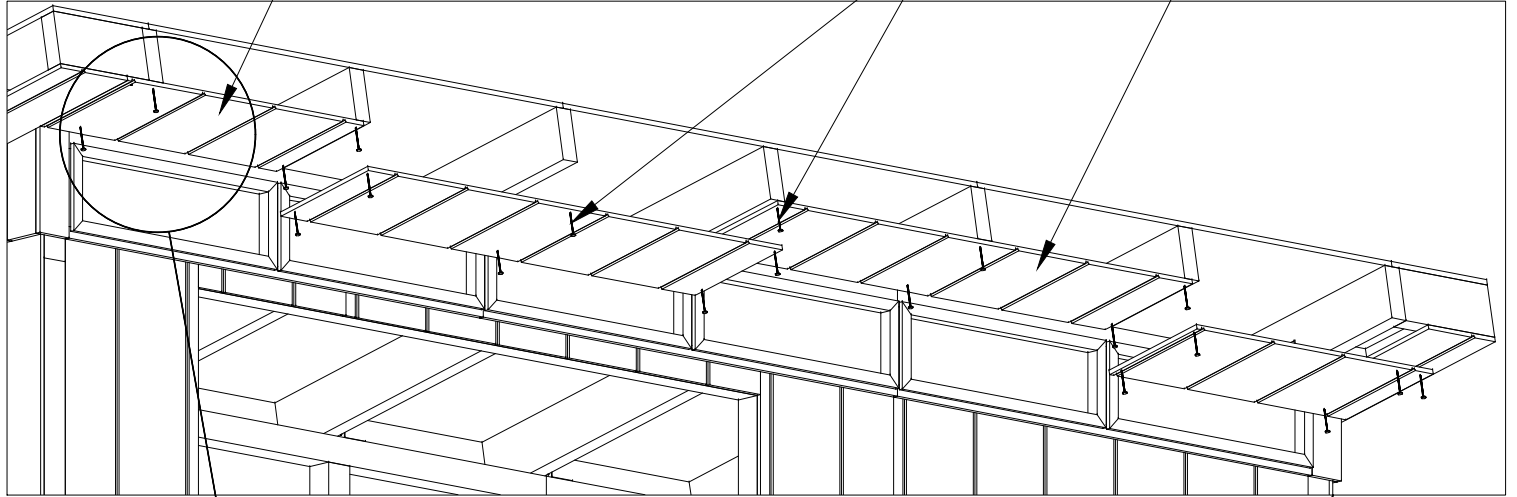


12

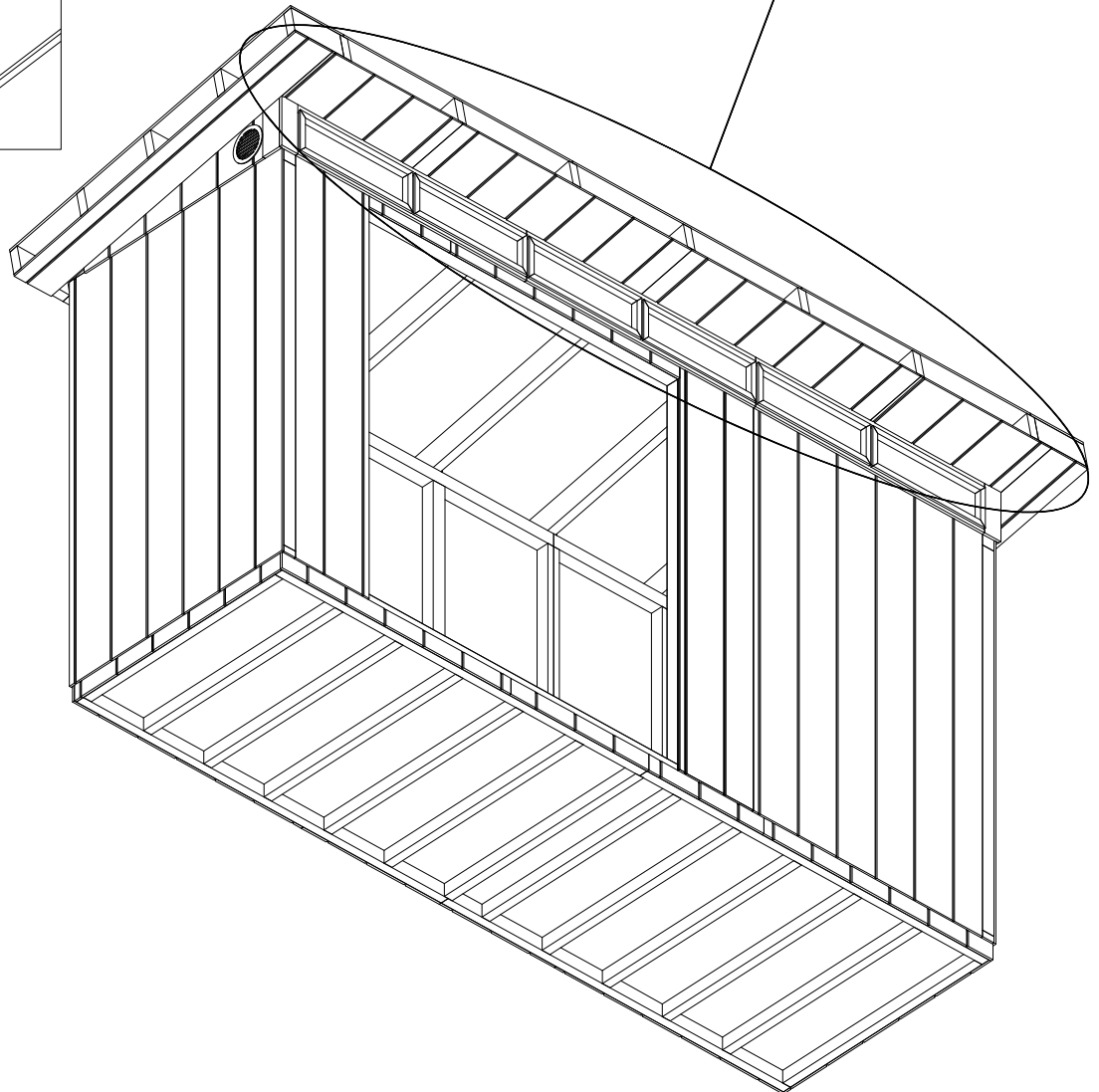
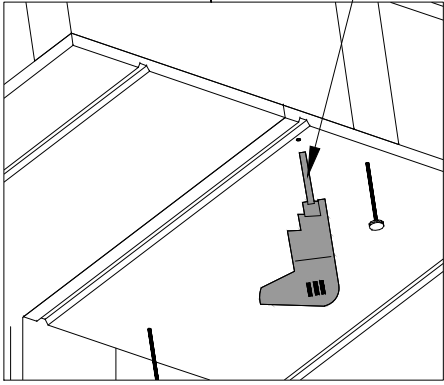
13

H x22

14



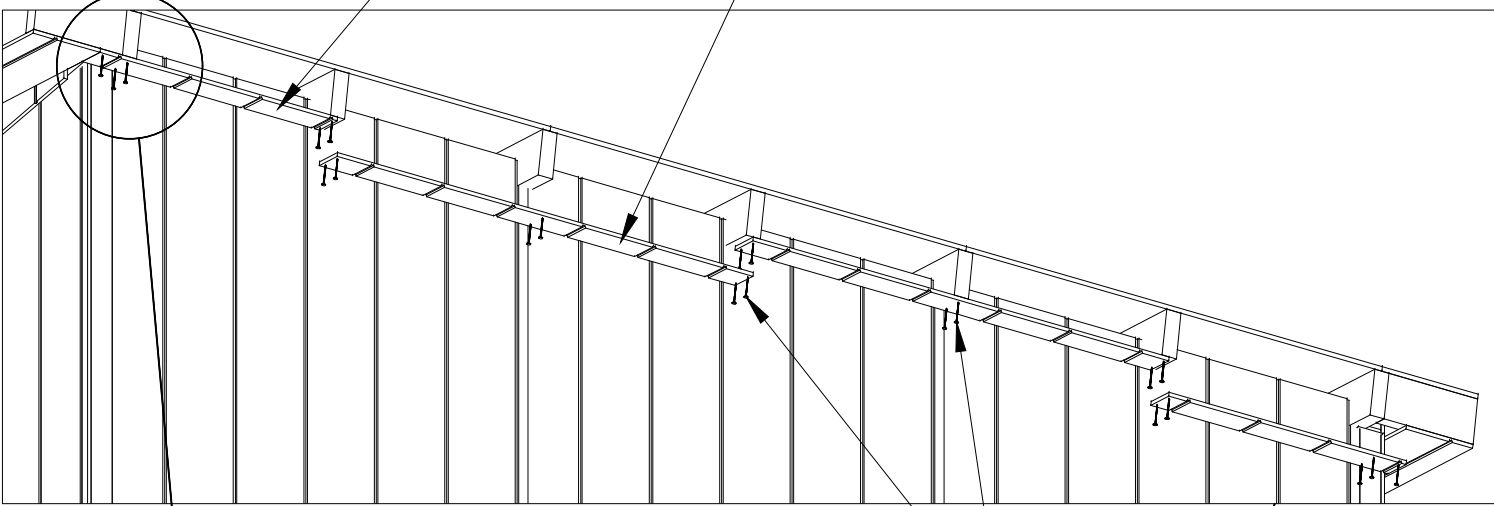
Ø2,5



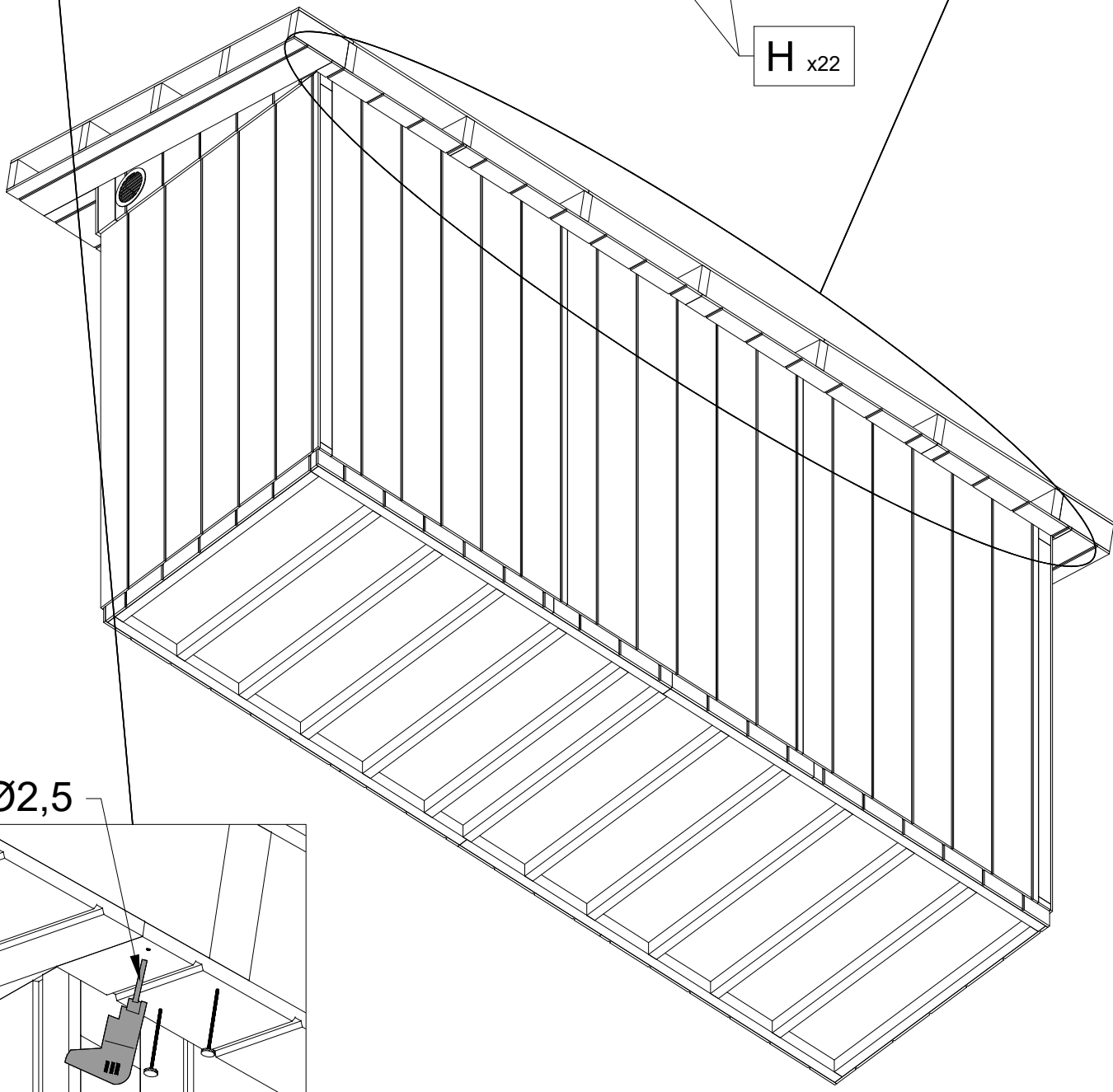
13

15

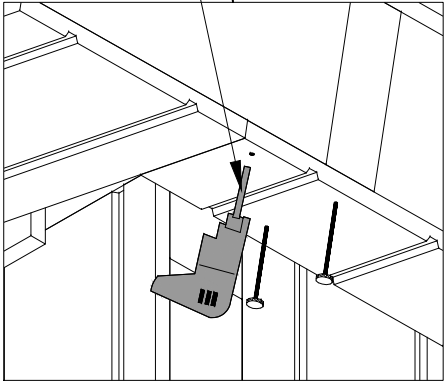
16



H x22

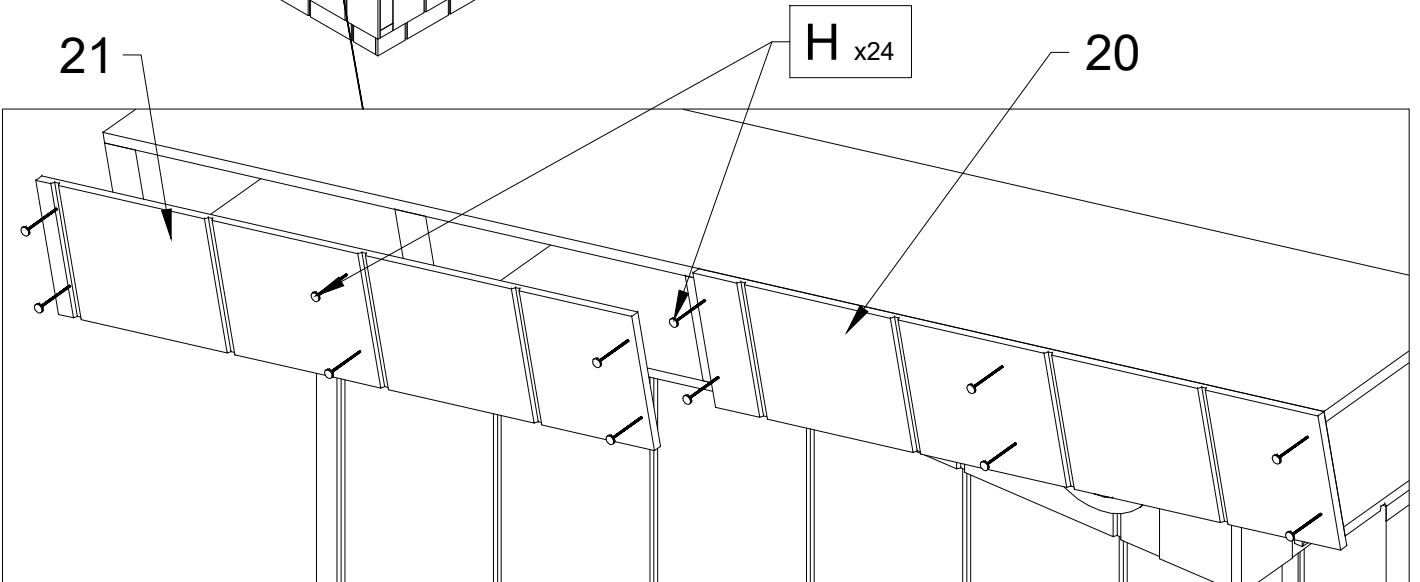
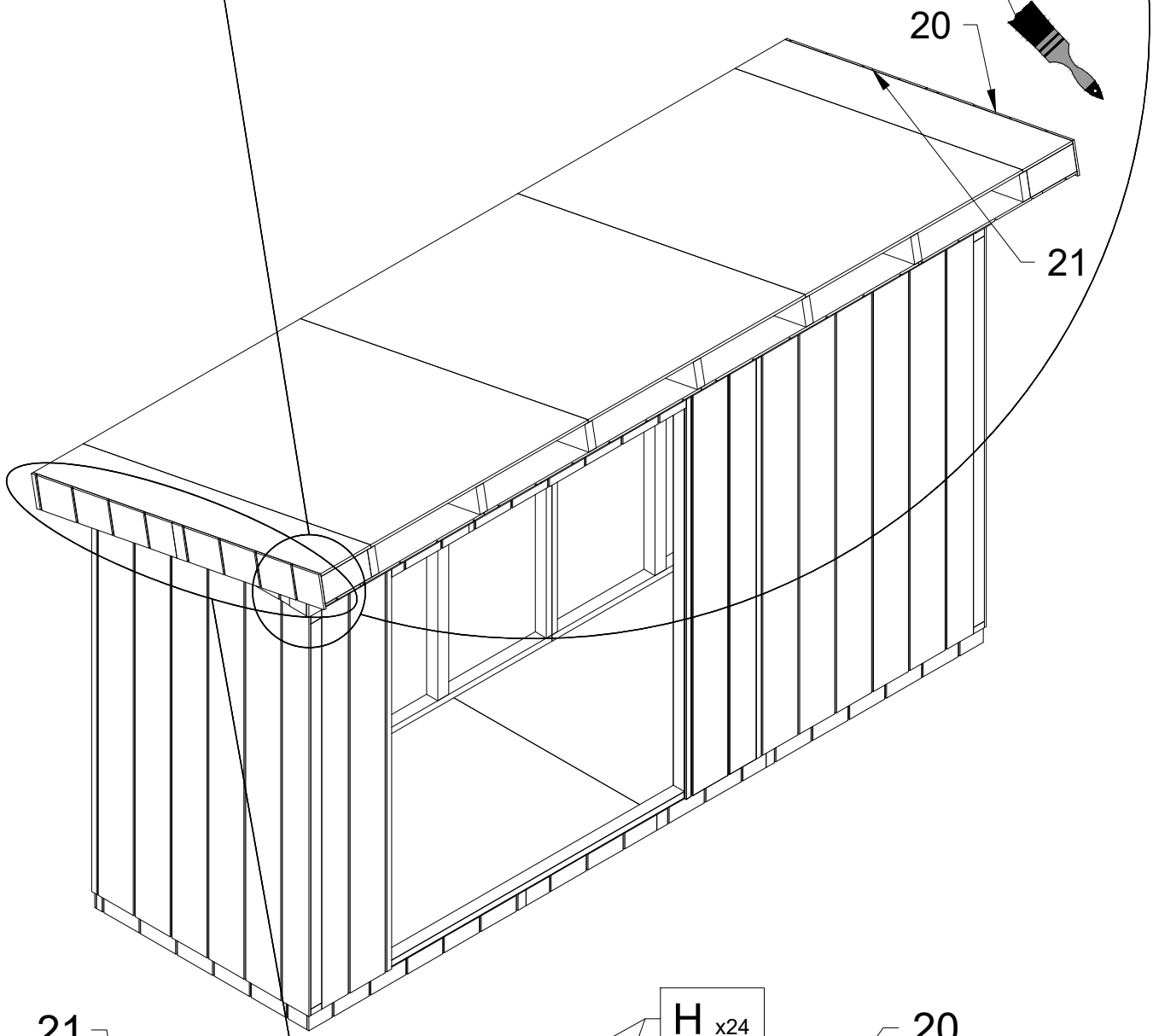
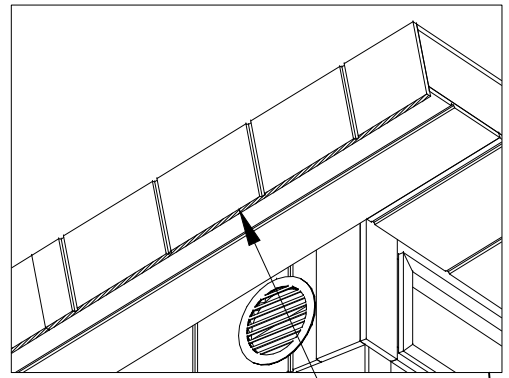
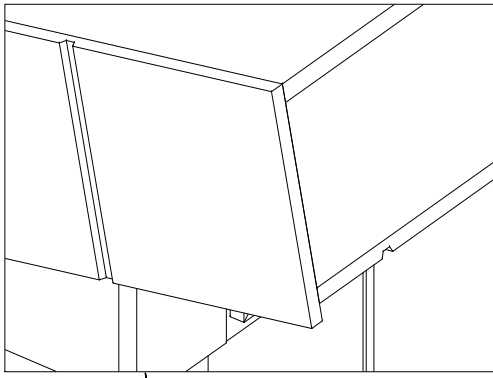


Ø2,5

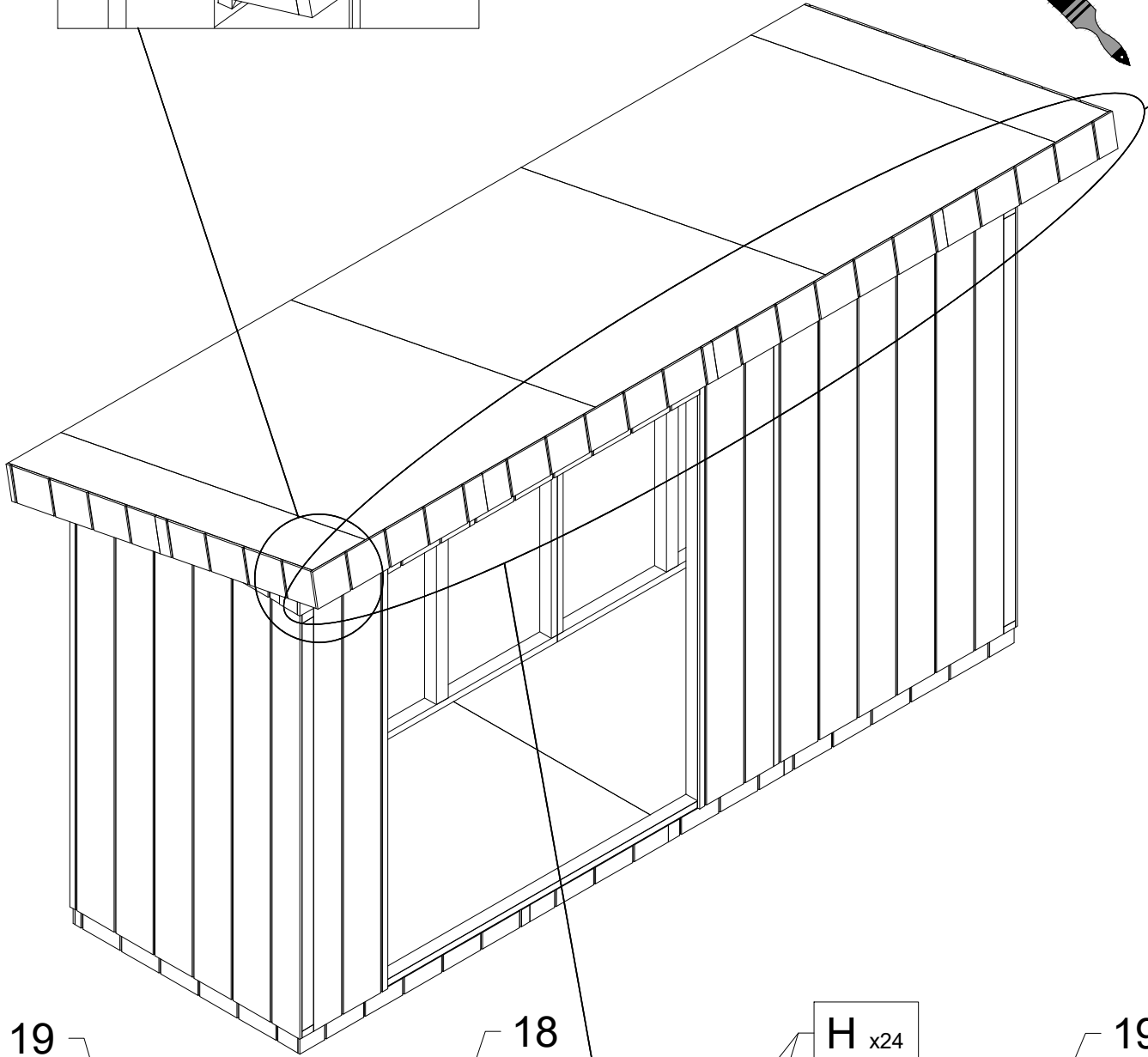
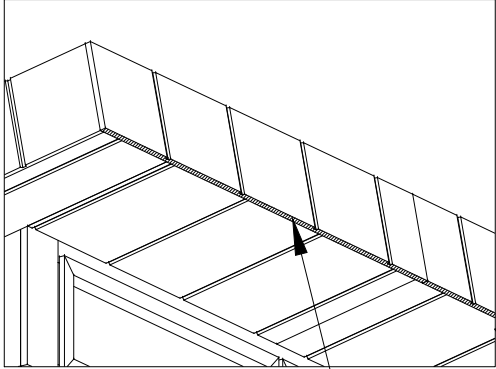
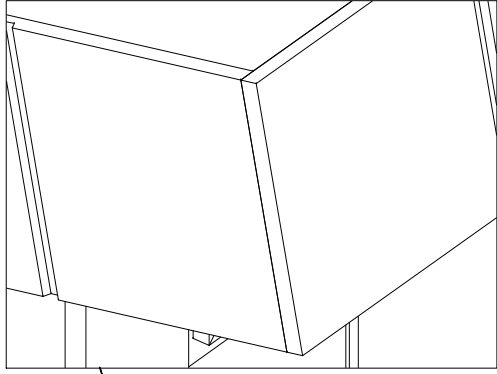




14



15

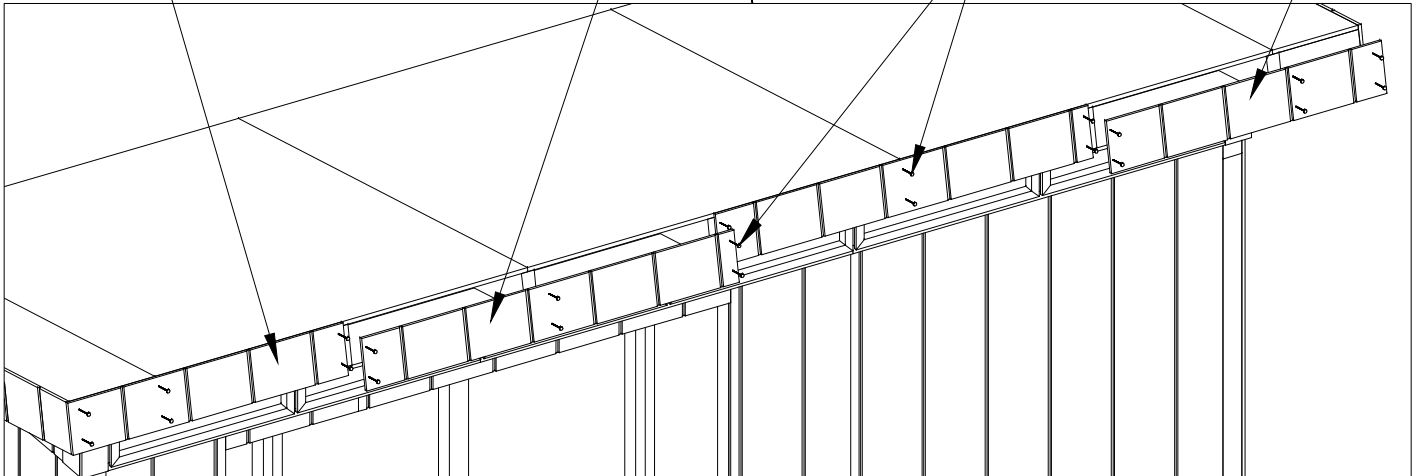


19

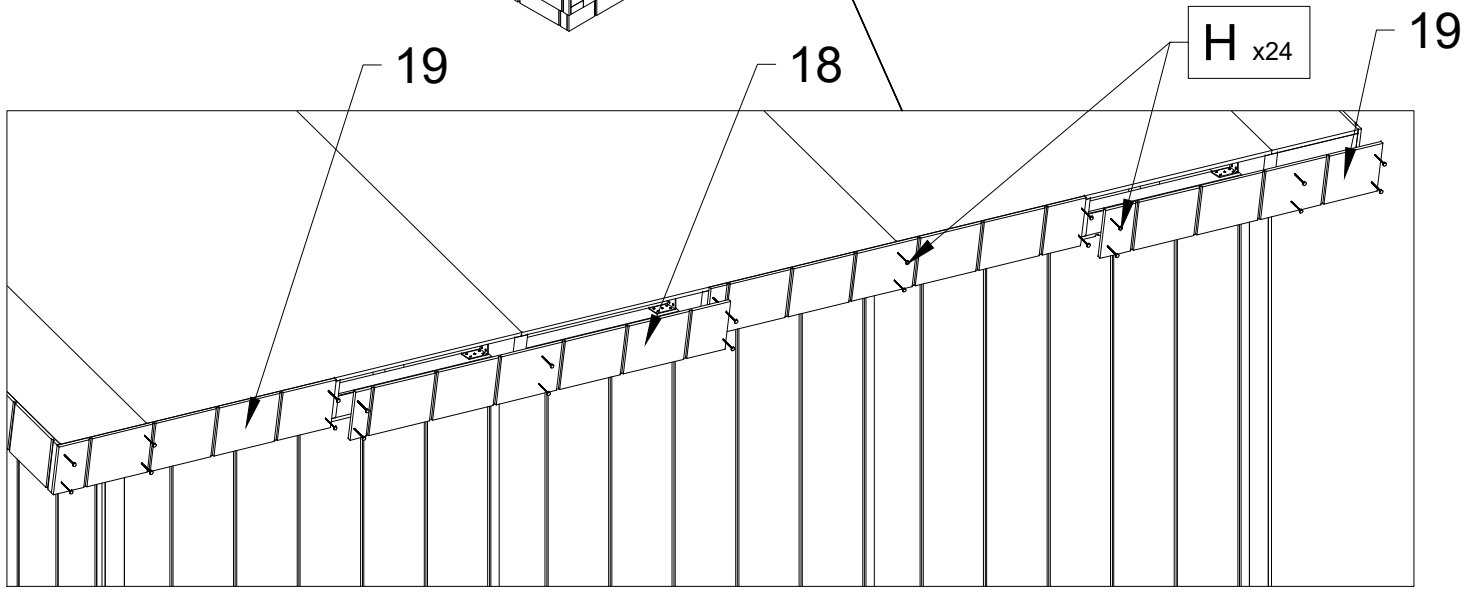
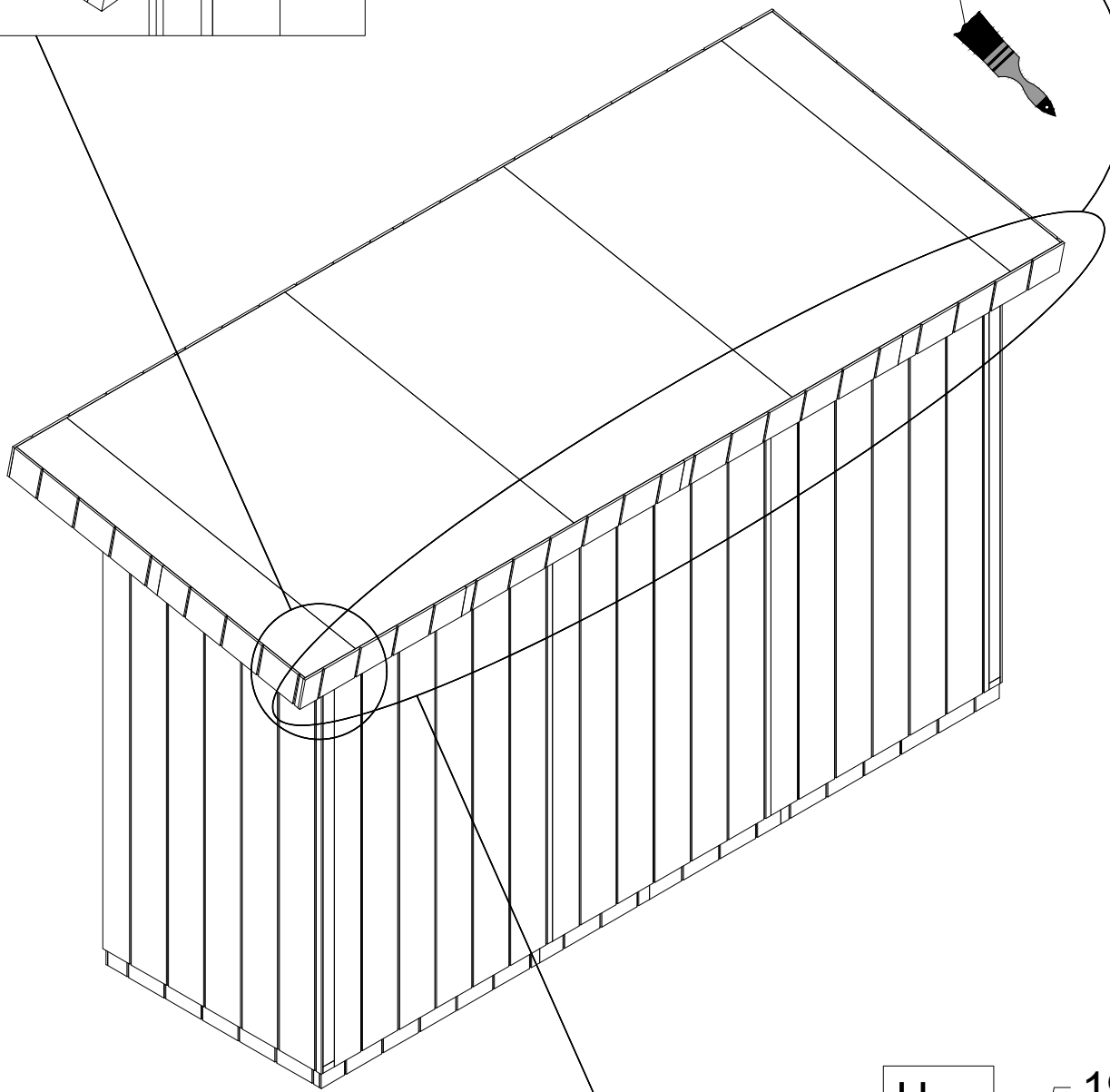
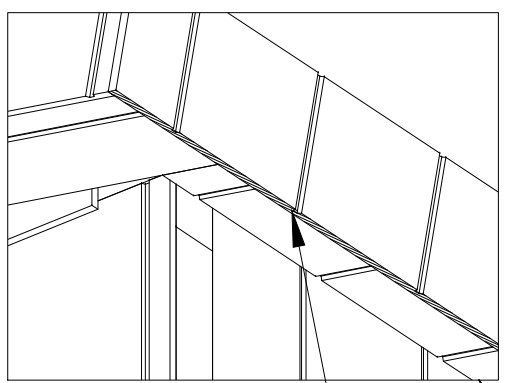
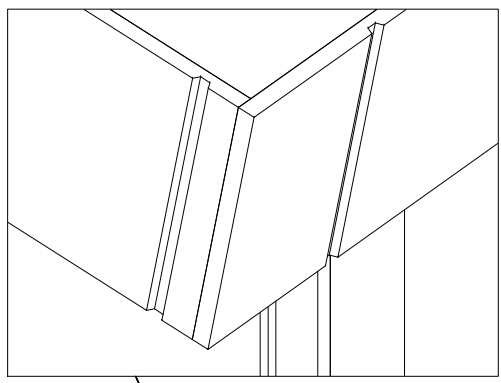
18

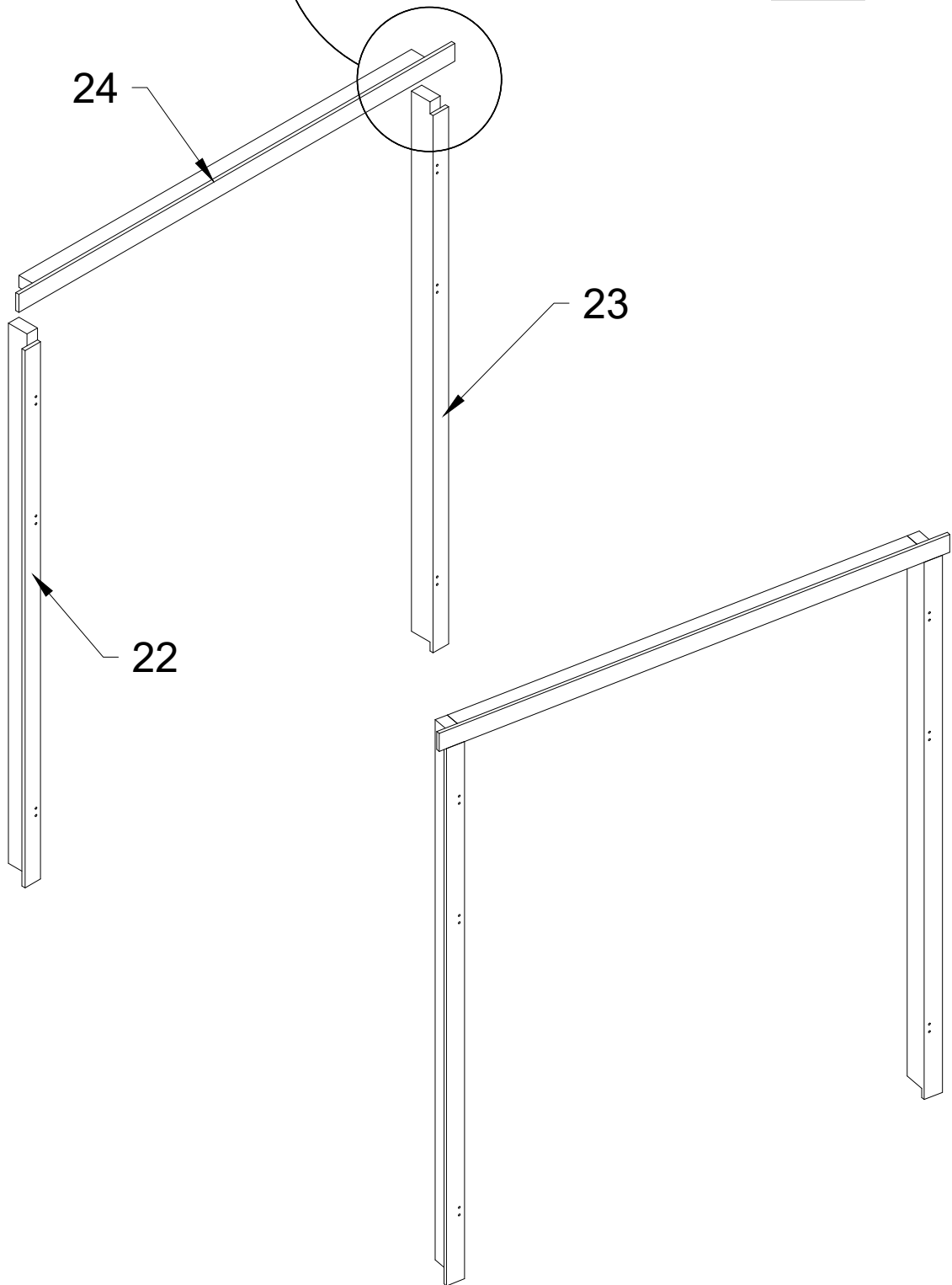
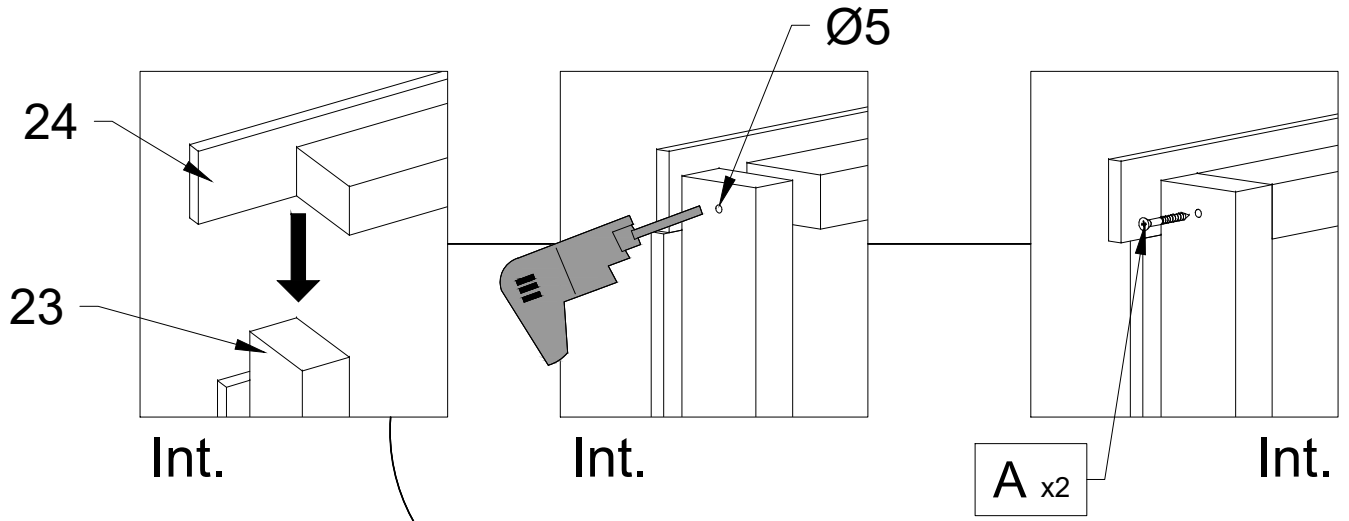
H x24

19

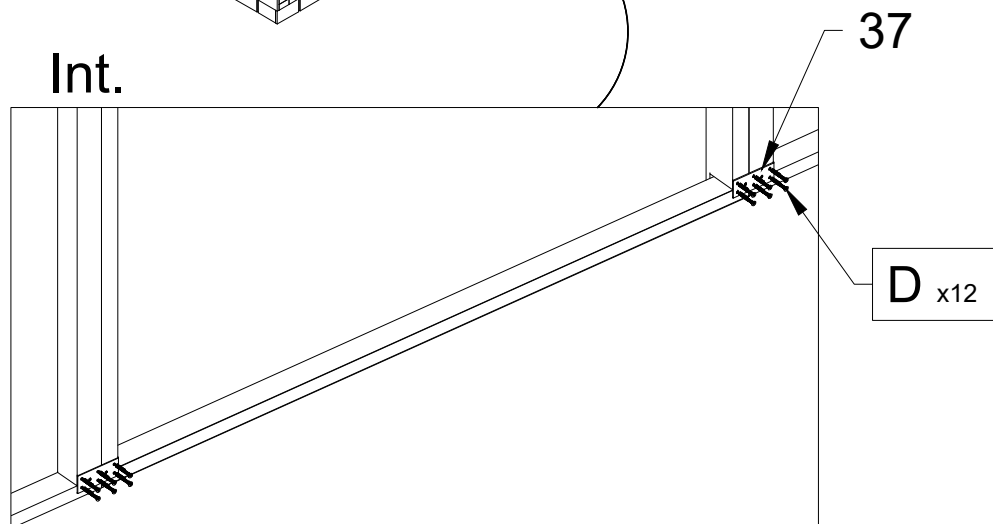
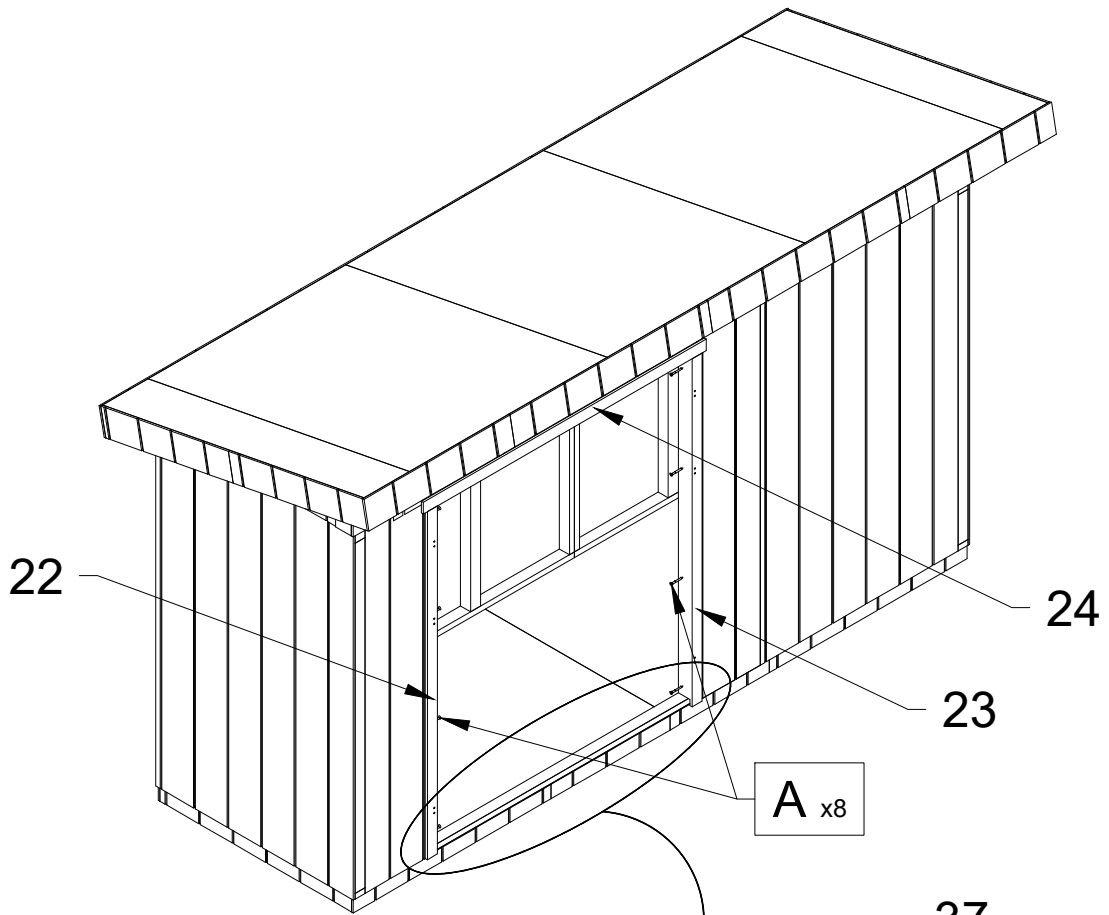
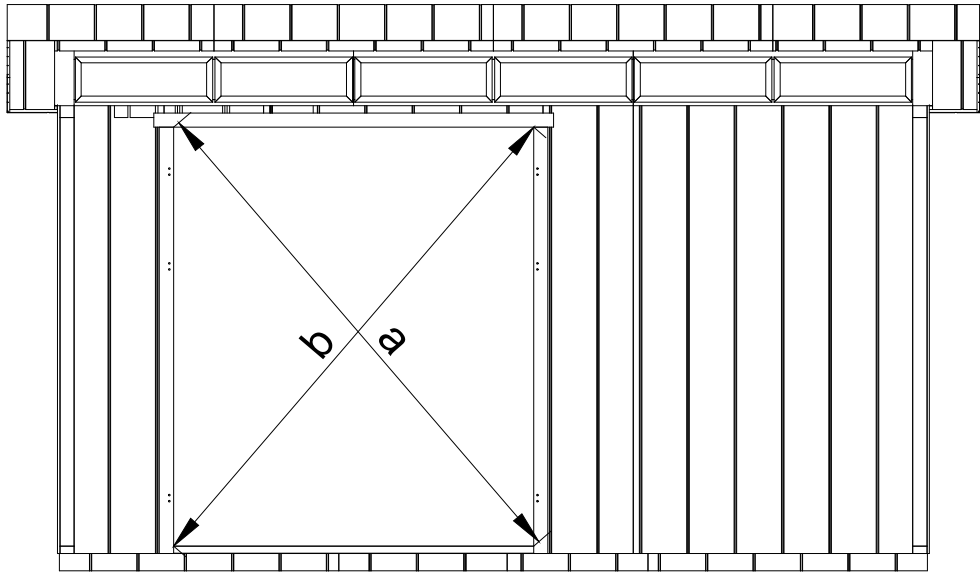


16





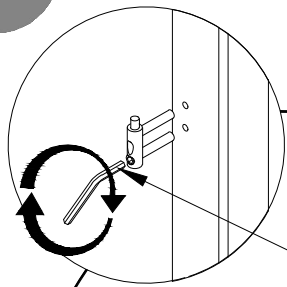
a=b



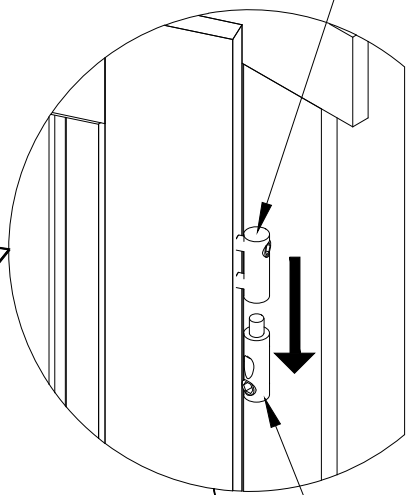
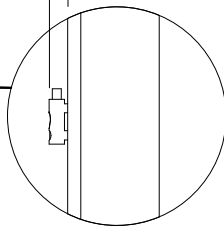
19

14-19mm

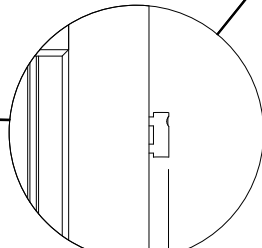
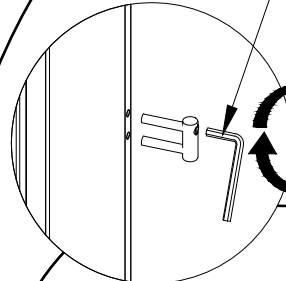
39



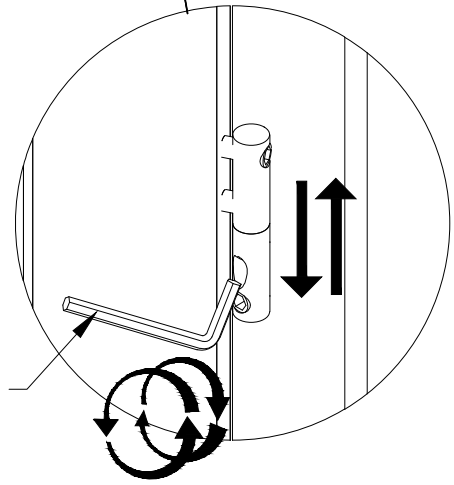
43



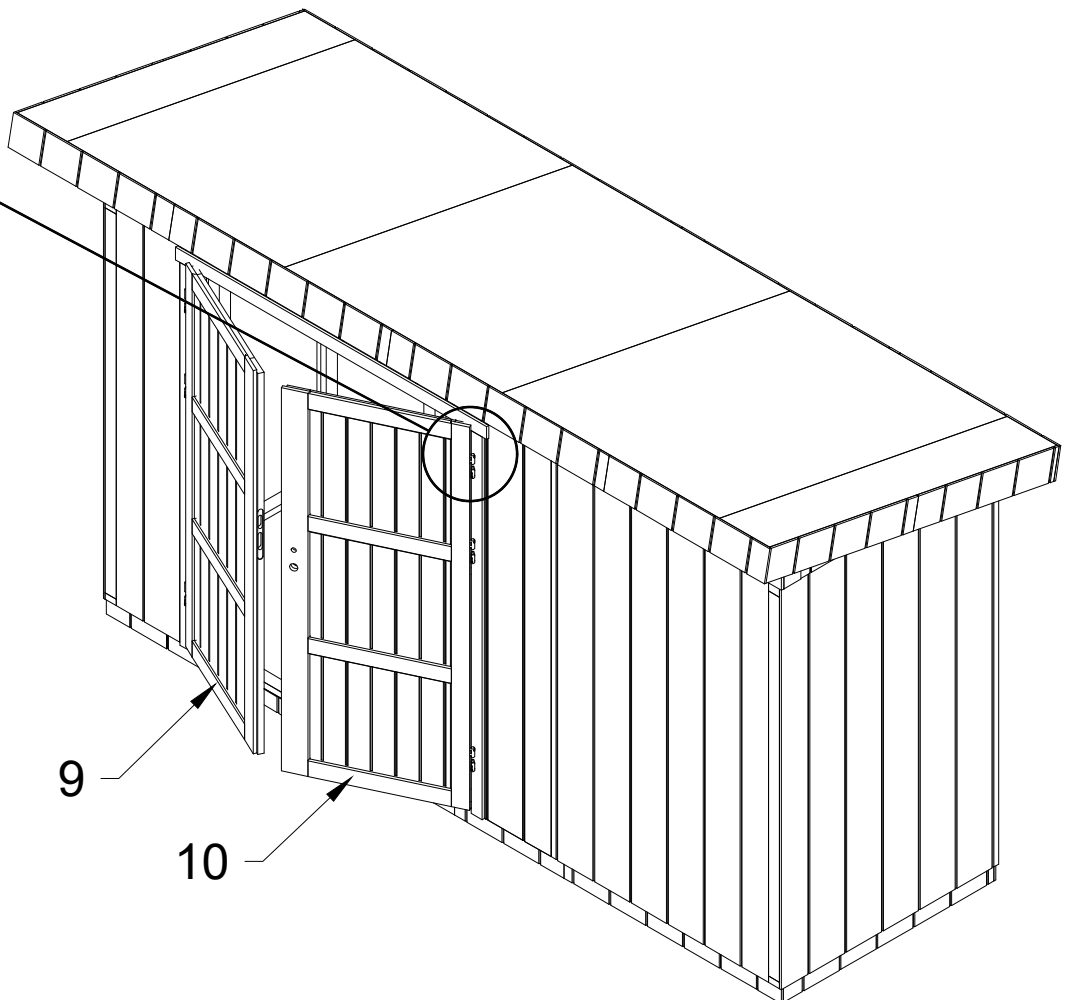
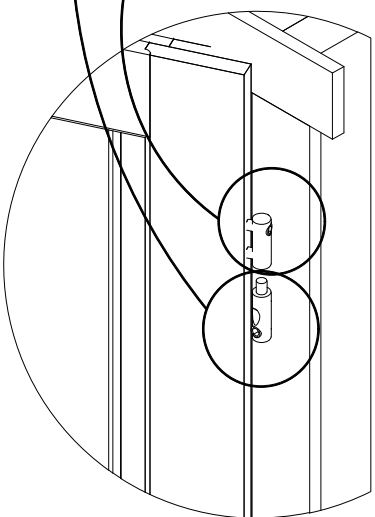
39.1



14-19mm

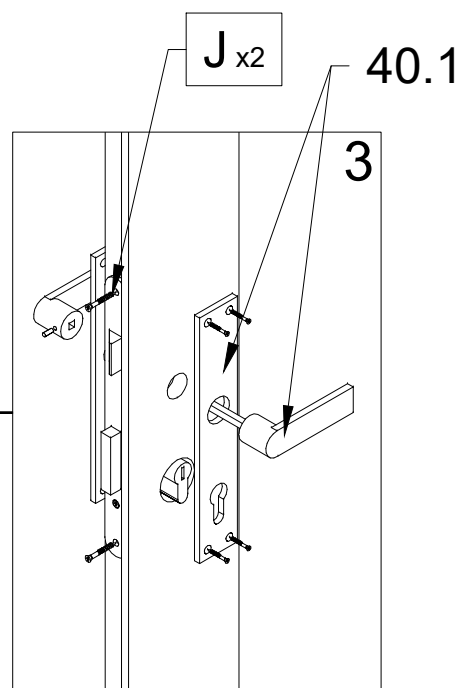
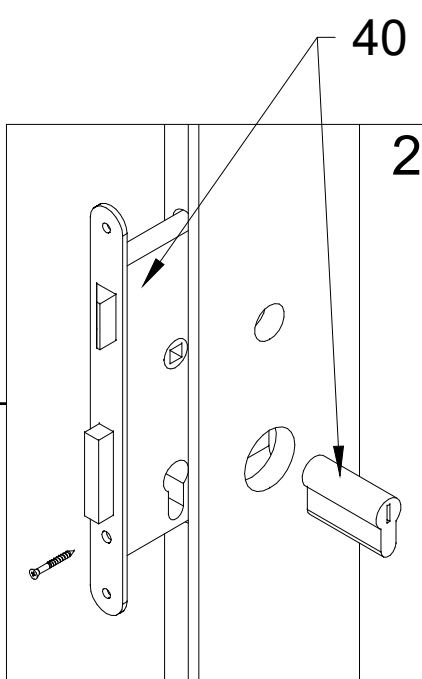
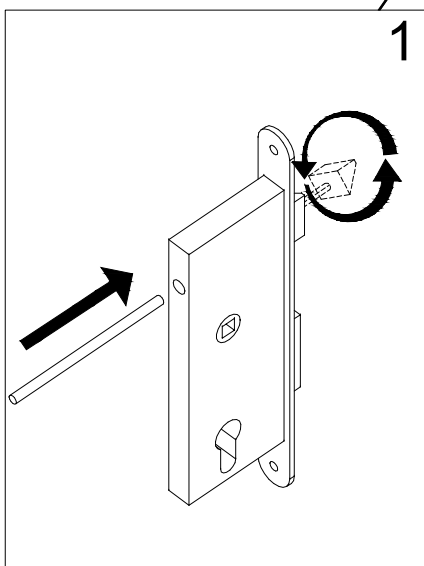
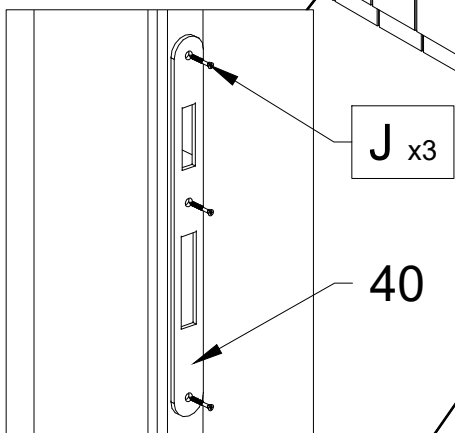
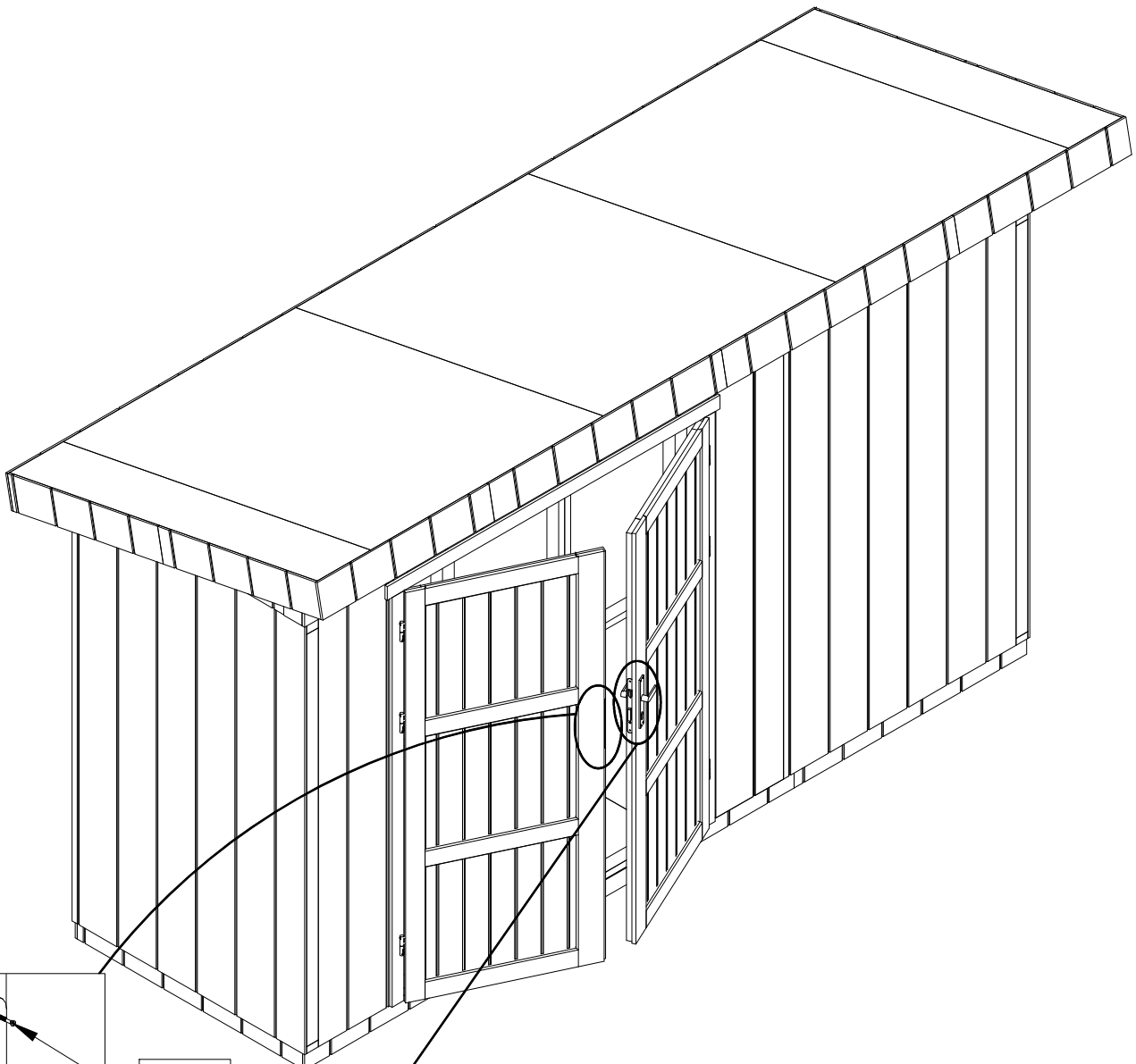


44



9

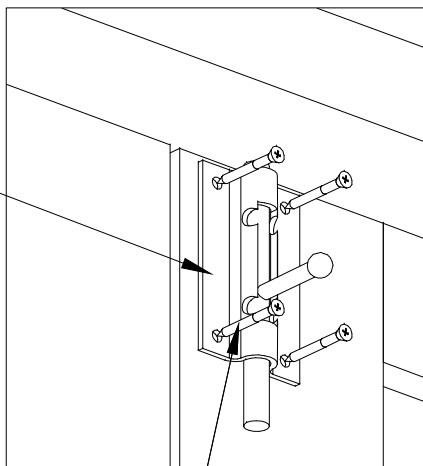
10



21

Int.

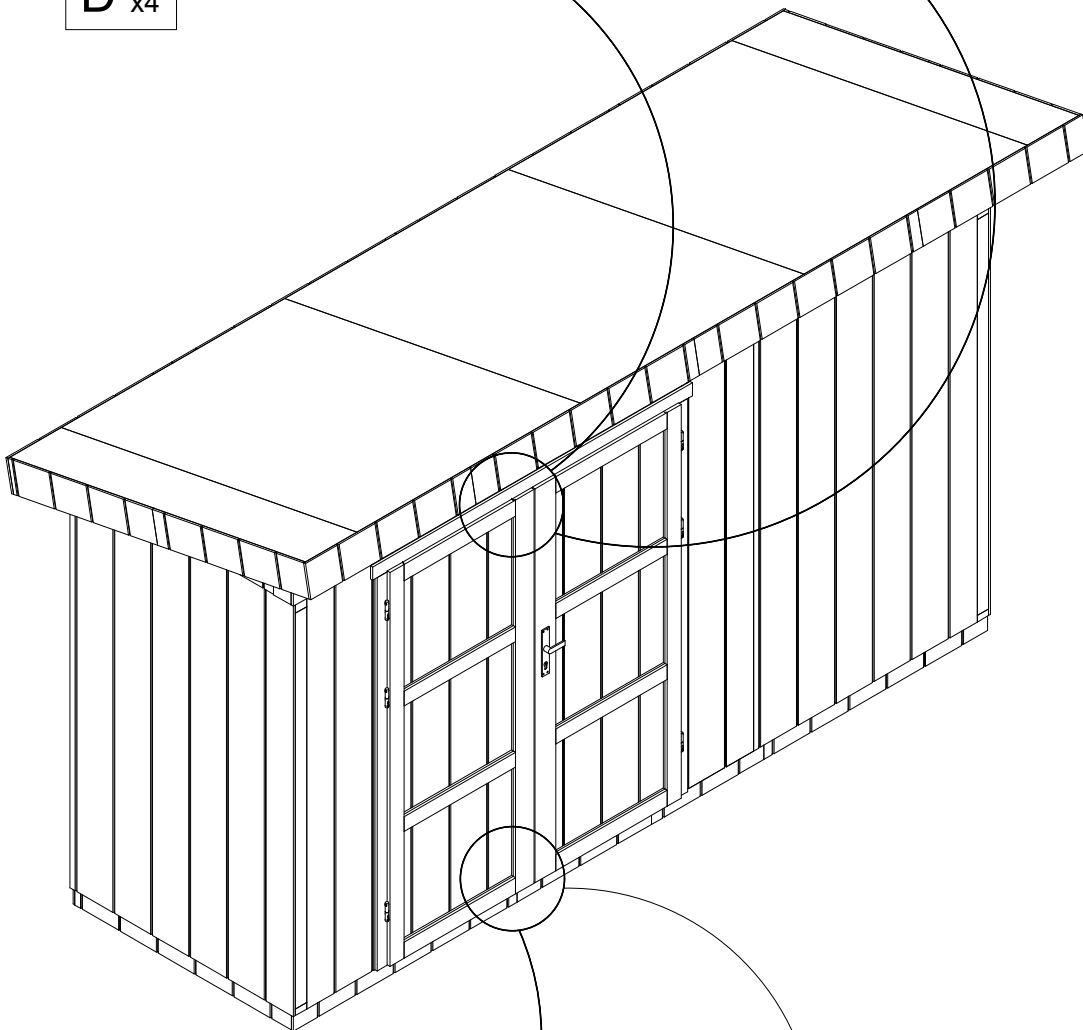
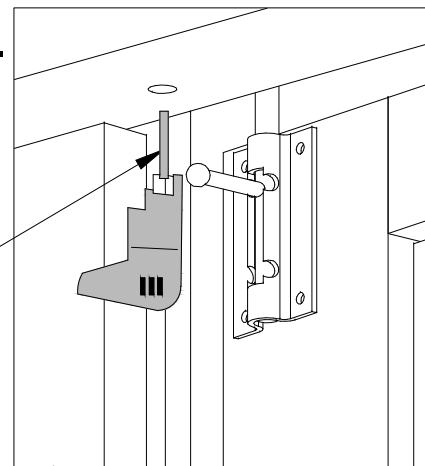
42



D x4

Int.

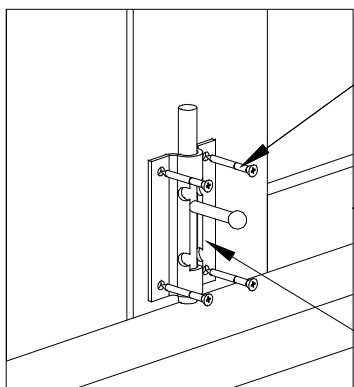
Ø12



Int.

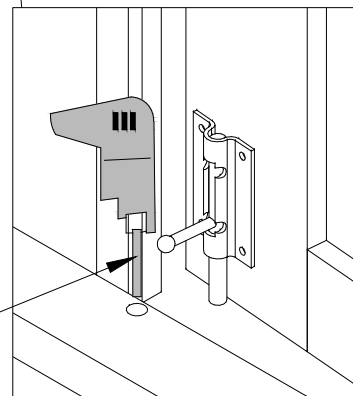
D x4

42

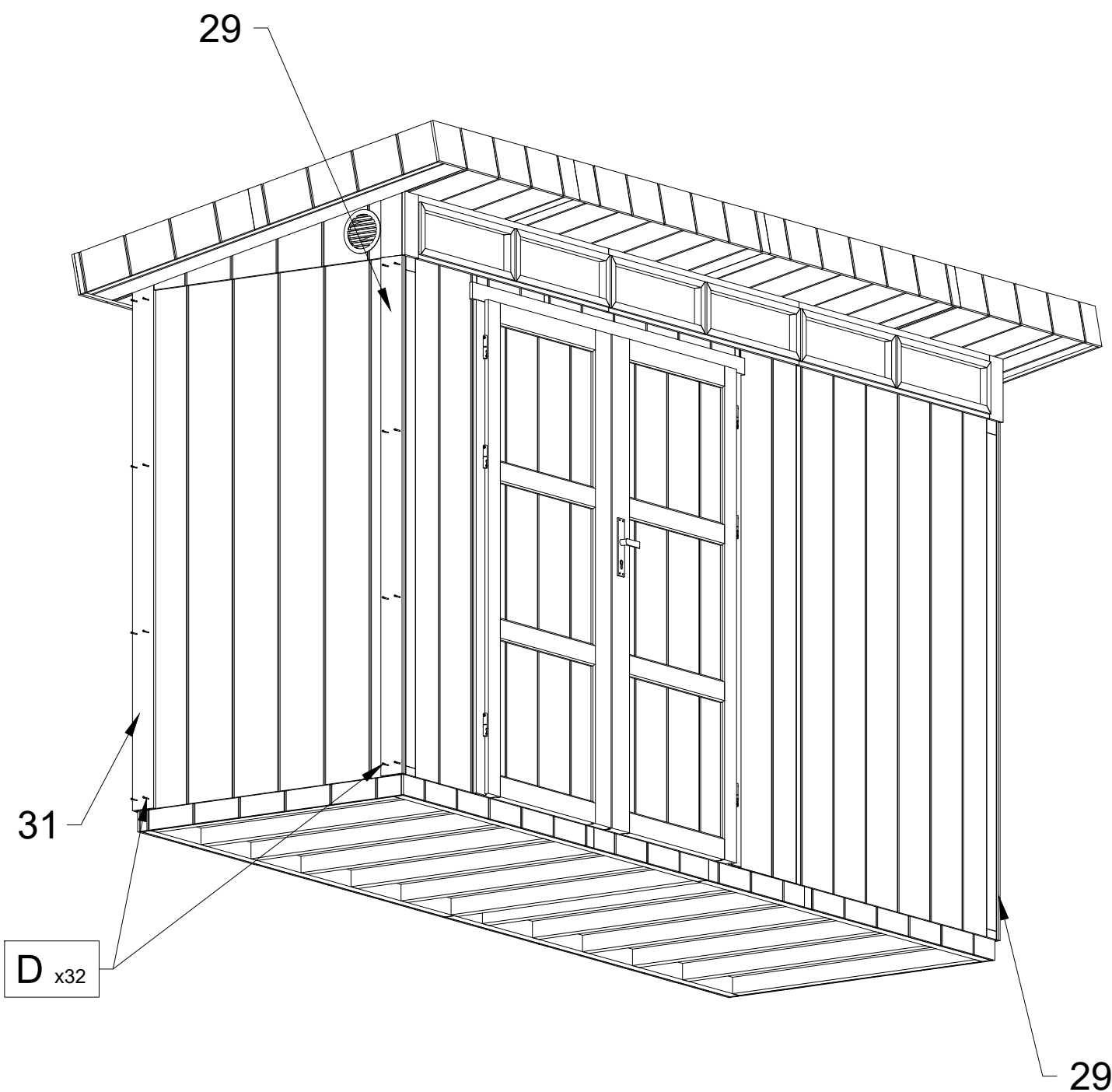


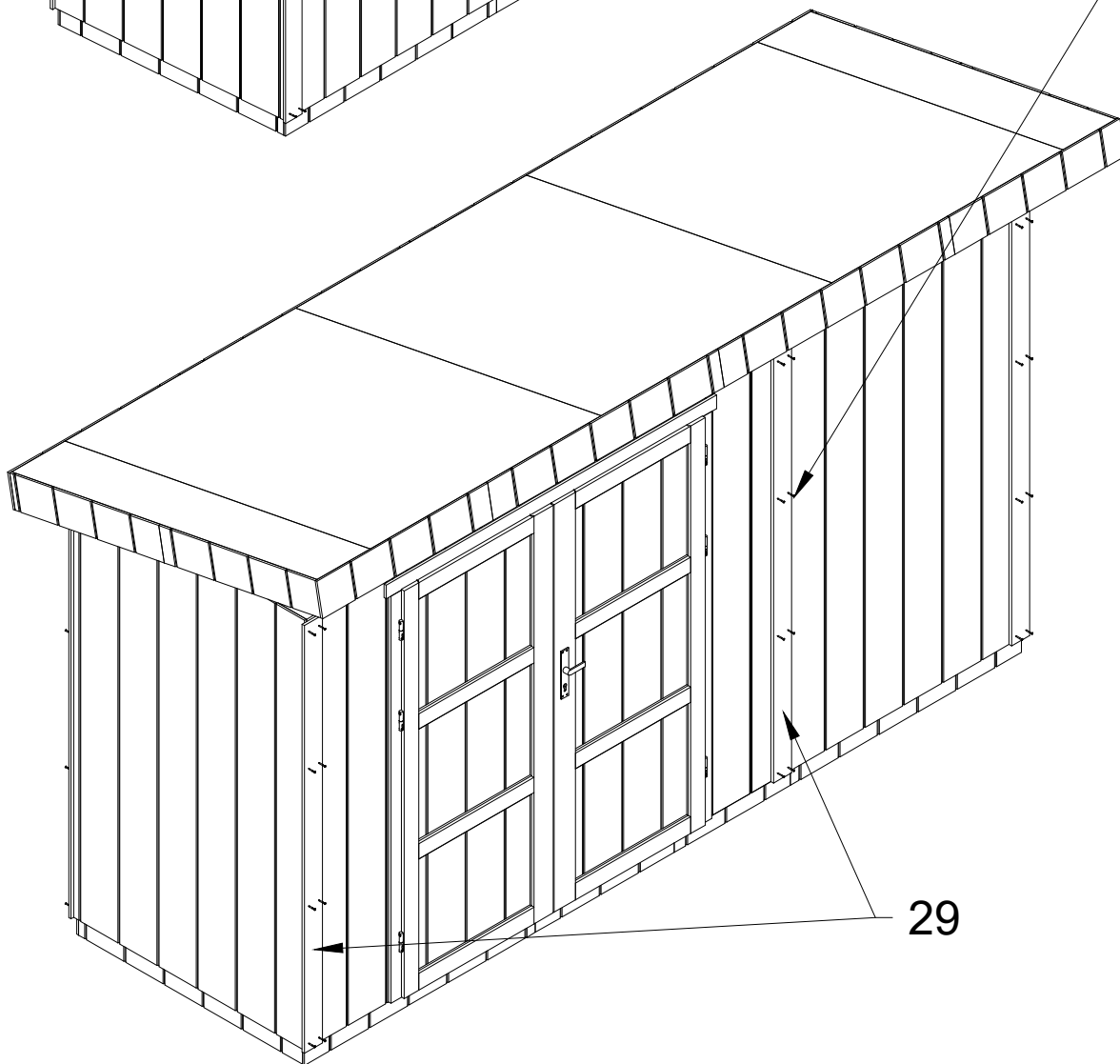
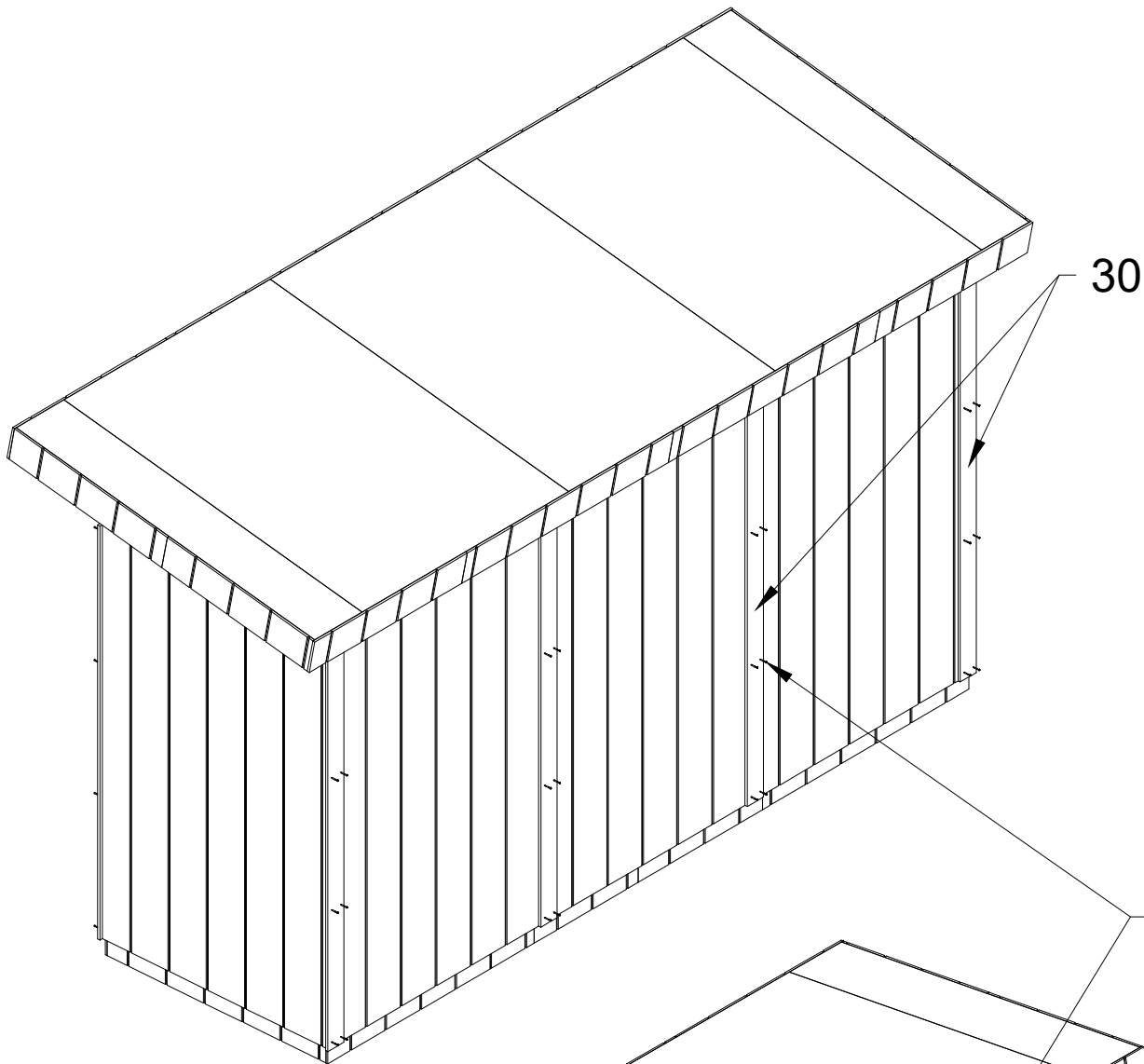
Int.

Ø12









36

K x15

45

Bitum

