

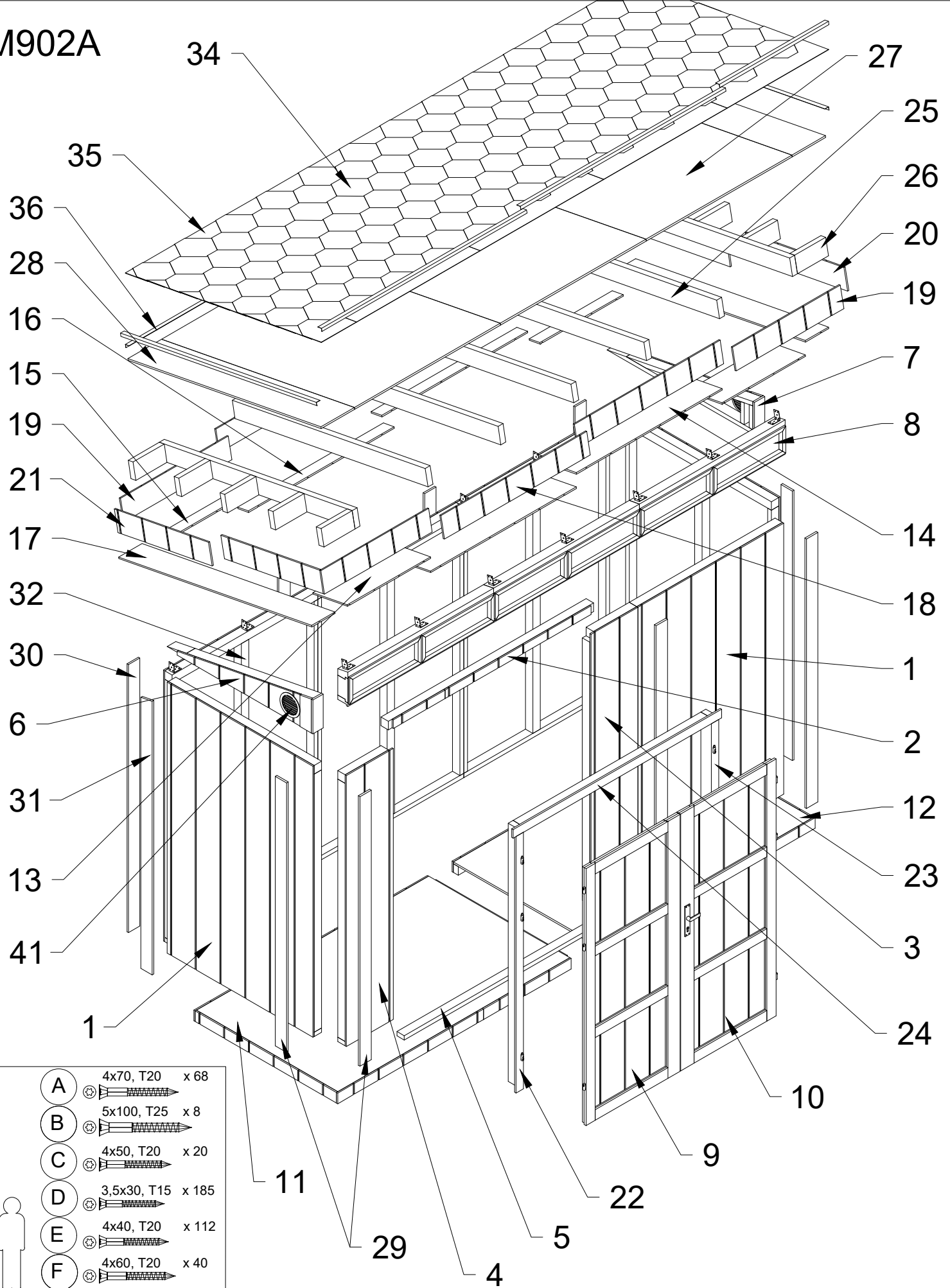


**M 902A**

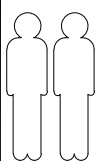
**LP® SMARTSIDE® SHED**

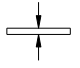
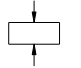
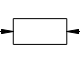


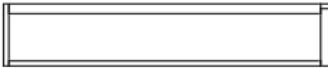




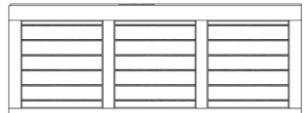
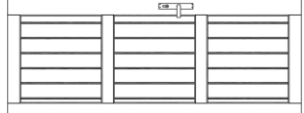






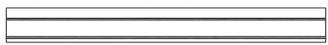





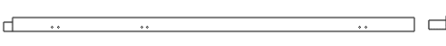






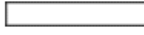
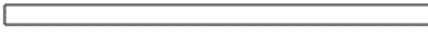


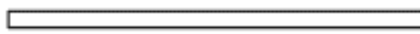
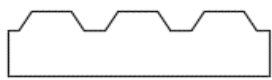
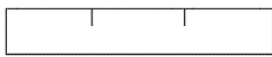

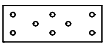




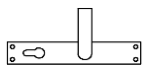

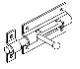



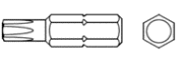
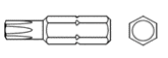
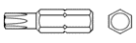
# M902A



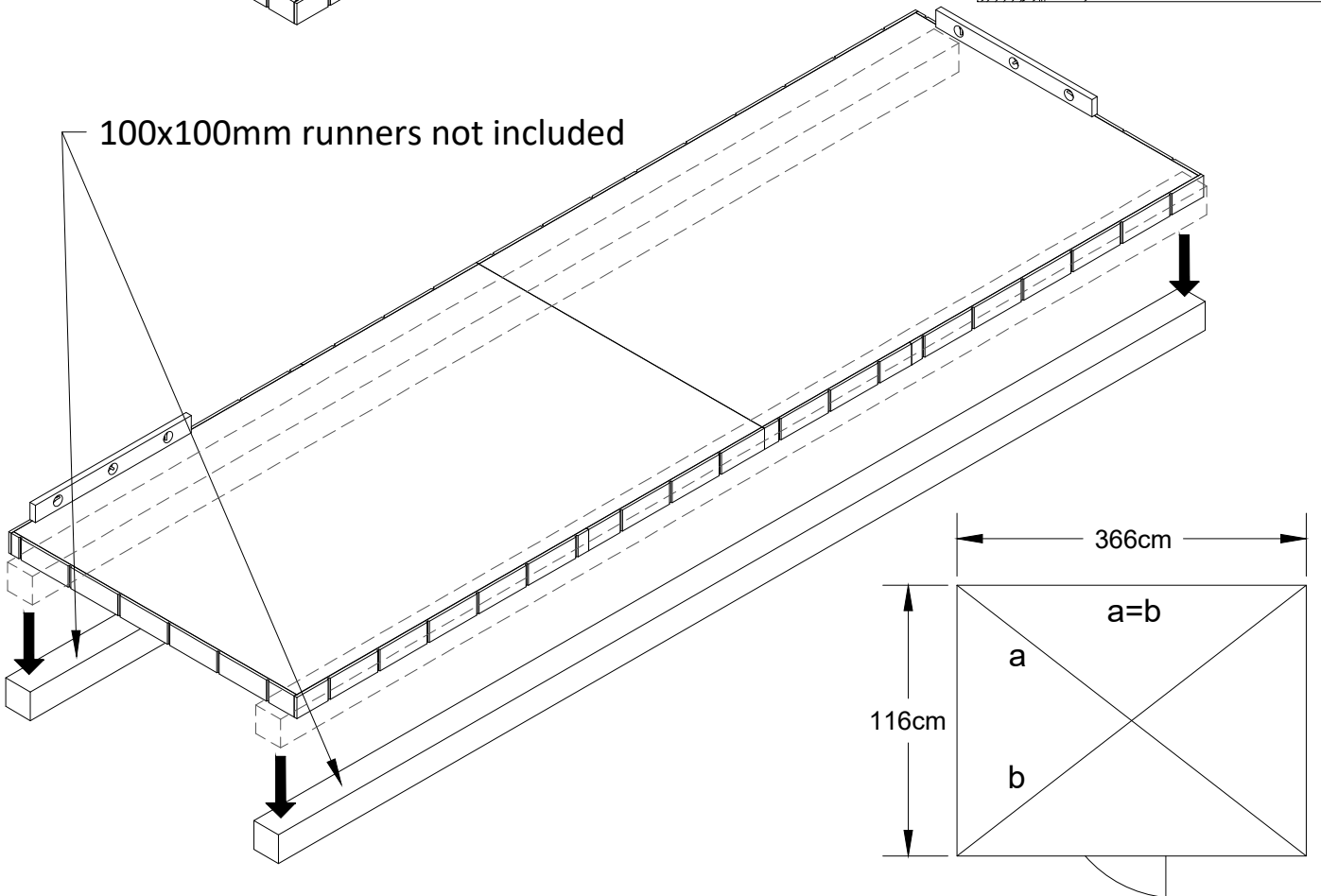
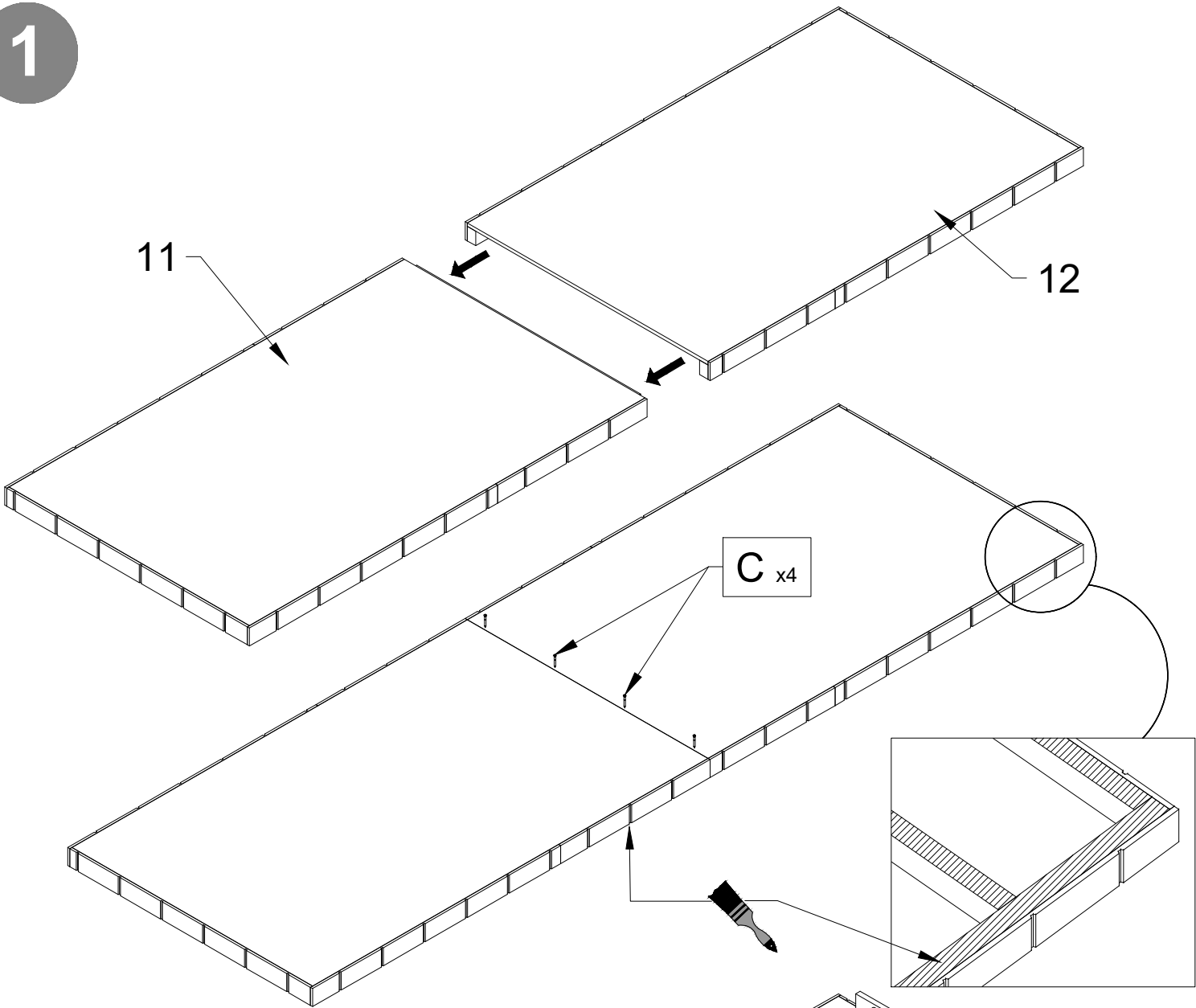
- |          |             |          |
|----------|-------------|----------|
| <b>A</b> | 4x70, T20   | x 68     |
| <b>B</b> | 5x100, T25  | x 8      |
| <b>C</b> | 4x50, T20   | x 20     |
| <b>D</b> | 3,5x30, T15 | x 185    |
| <b>E</b> | 4x40, T20   | x 112    |
| <b>F</b> | 4x60, T20   | x 40     |
| <b>G</b> | 3x12        | x 6      |
| <b>H</b> | 2.5x50      | x 160    |
| <b>J</b> | 4x30        | x 5      |
| <b>K</b> | 3,1x15      | x 3 pack |



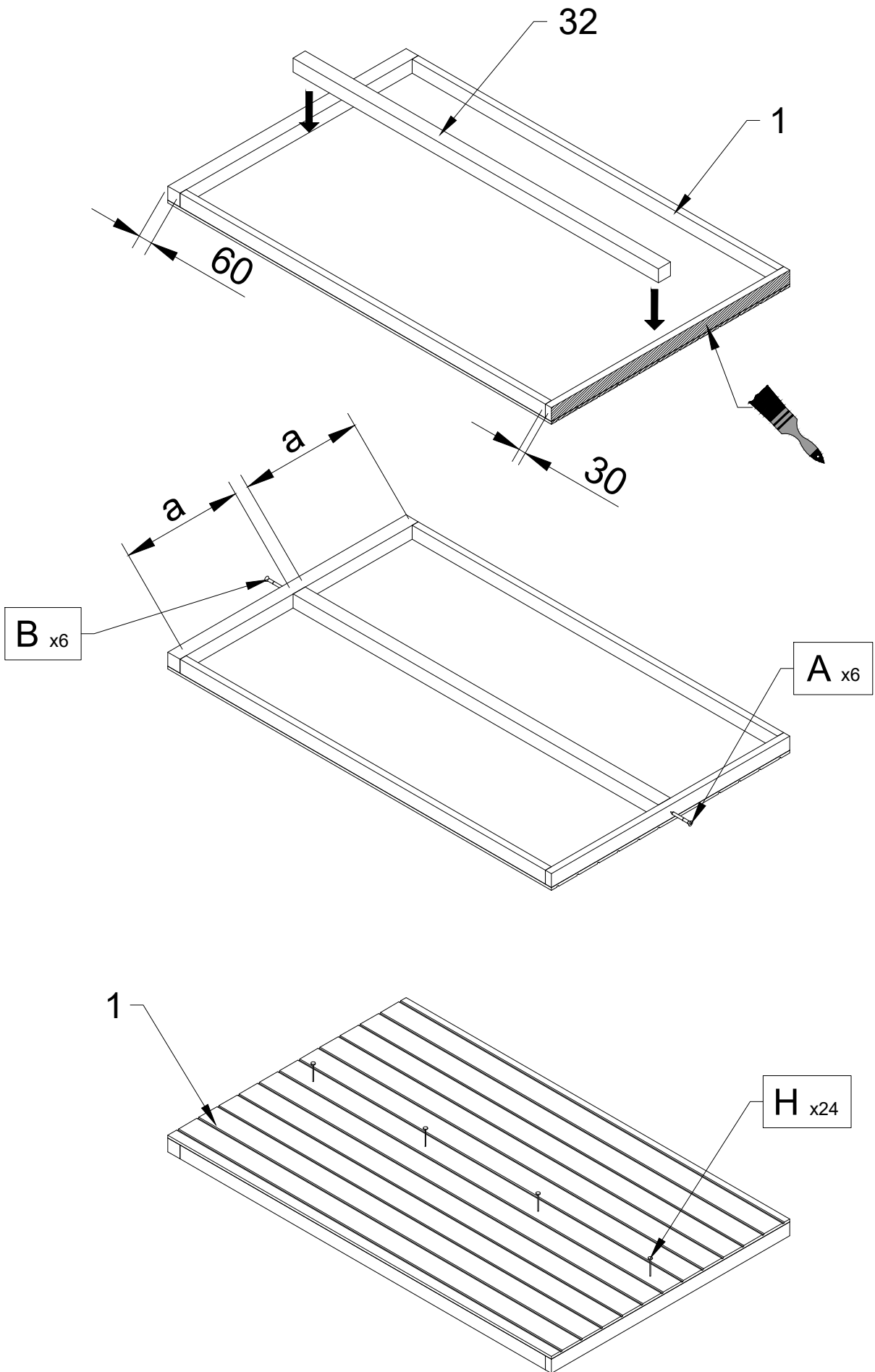
№	PCS				
		mm	mm	mm	
1	6		1180	1900	
2	1		60	1660	
3	1		380	1900	
4	1		380	1900	
5	1		30	59	1600
6	1		238	1193	
7	1		238	1193	
8	3		240	1180	
9	1		772	1801	
10	1		772	1801	
11	1		1164	1910	
12	1		1164	1774	
13	2		10	284	673
14	2		10	284	1180
15	2		10	89	673
16	2		10	89	1180
17	2		10	189	1590
18	4		10	154	1180
19	4		10	154	872
20	2		10	154	814
21	2		10	154	776
22	1		60	82	1839
23	1		60	82	1839

24		1	60	82	1688
25		7	40	120	1590
26		10	40	120	252
27		3	12	1180	1590
28		2	12	272	1590
29		5	13	92	1890
30		4	13	92	1885
31		2	13	92	1917
32		6	60	60	1810
34		3 pack			
35		5			1000
36		8			1660
37		4			
38		14			
39		6			
39.1		6			
40		1			
40.1		1			
41		2			
42		2			
43		1			
44		1			
45		1			
46		1	T25		
47		1	T20		
48		1	T15		

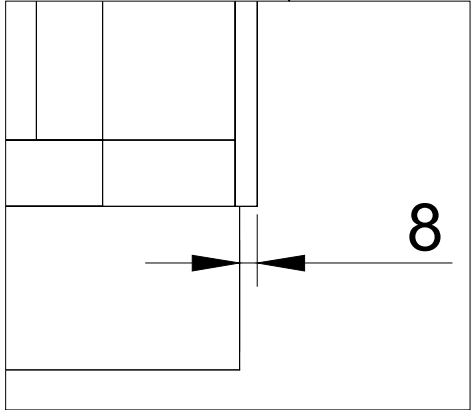
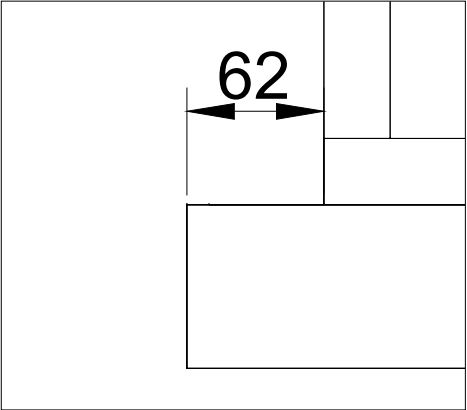
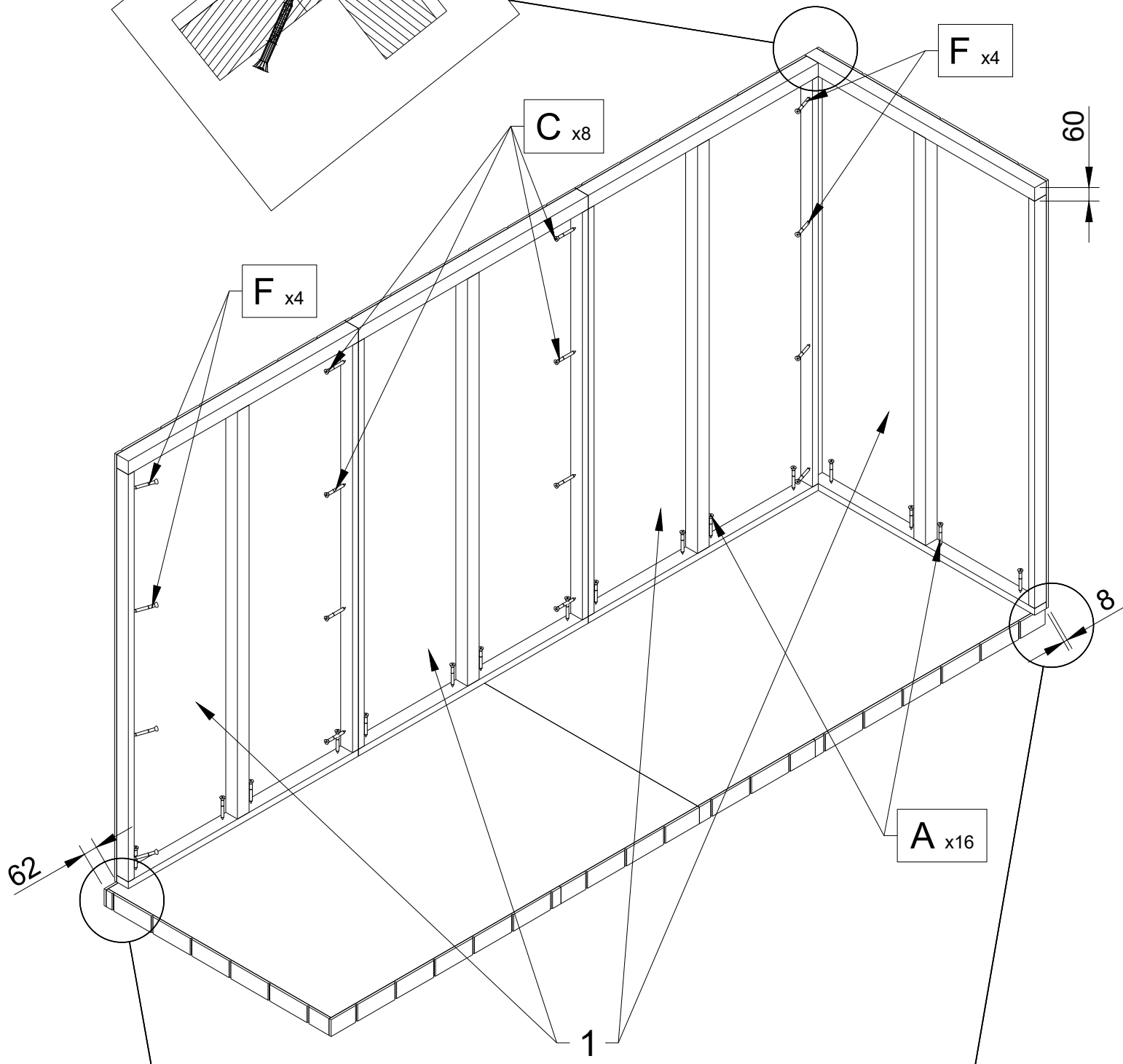
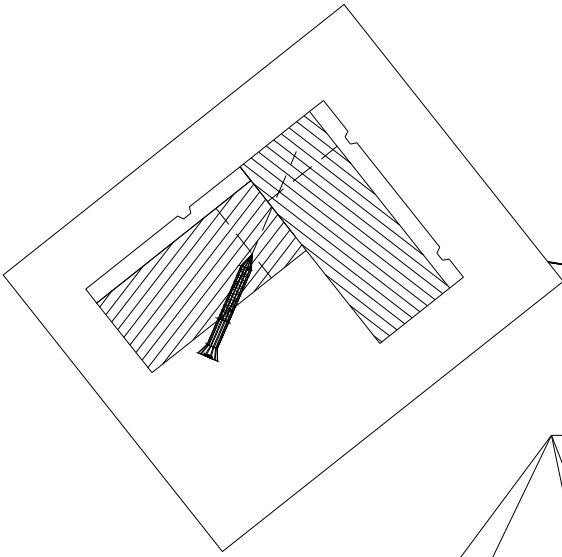
1



2



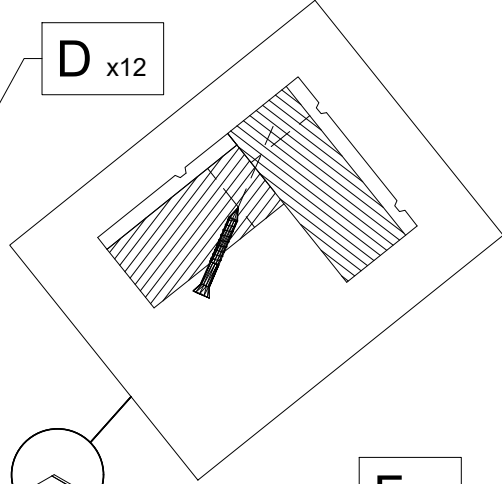
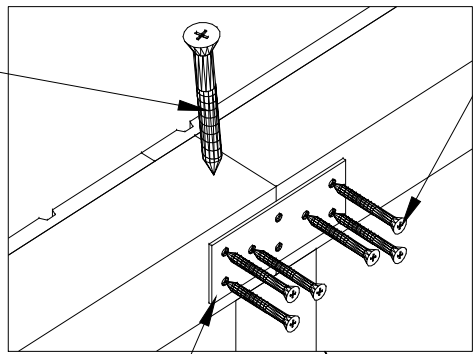
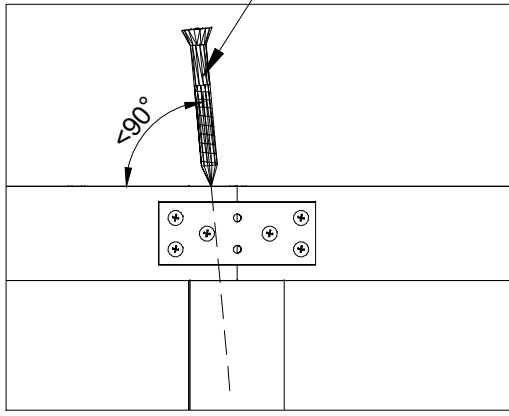
3



4

B x2

D x12



37

F x4

2

3

C x4

60

F x4

1

4

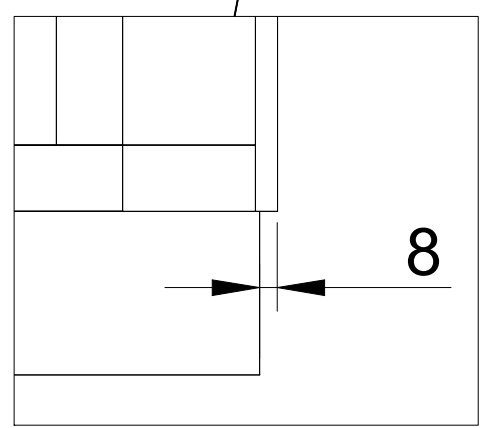
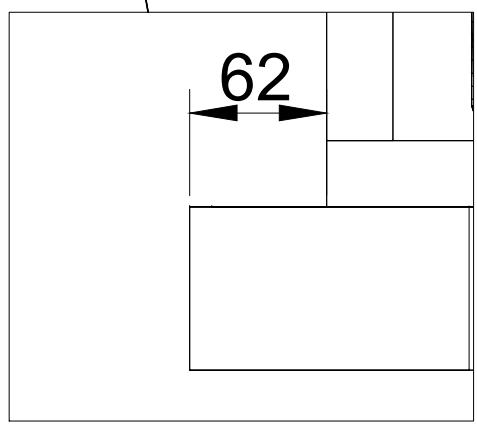
1

5

8

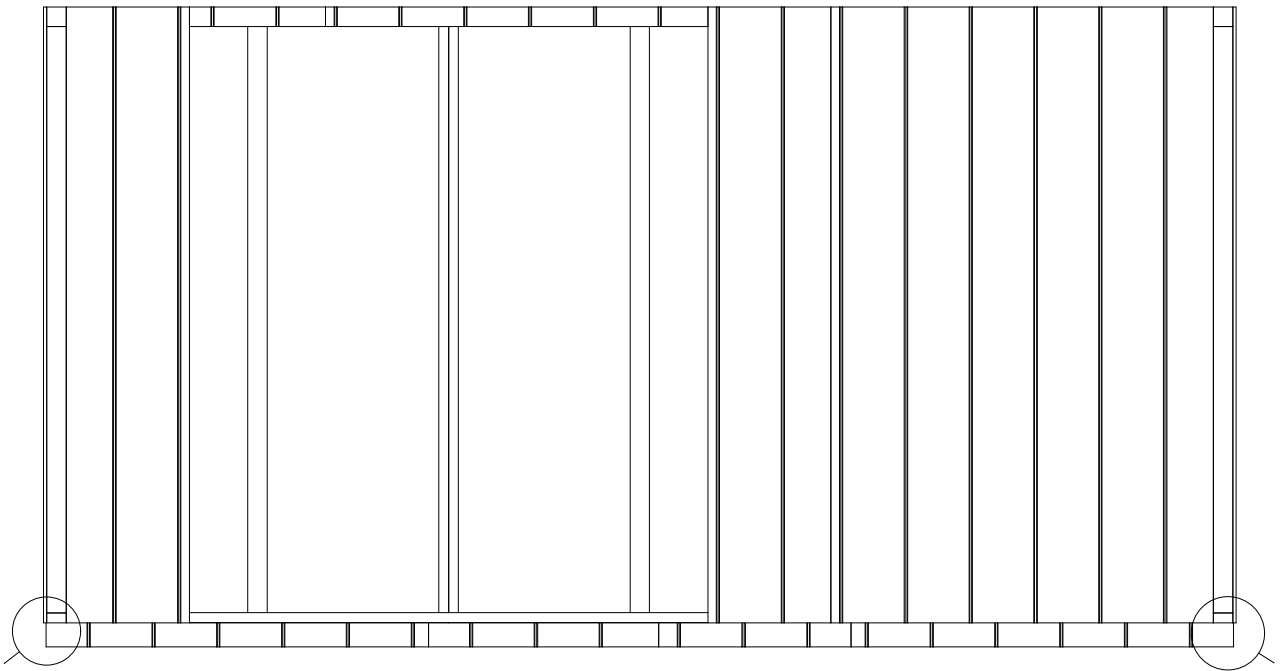
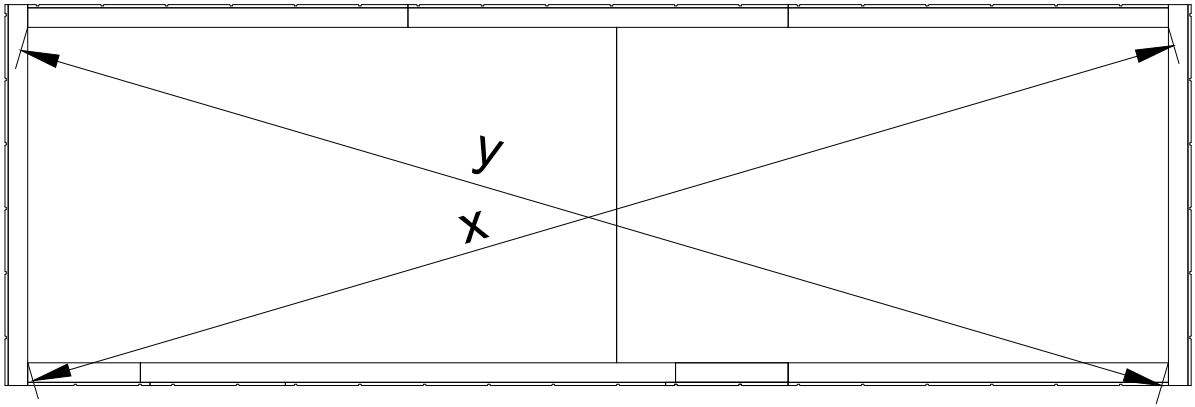
62

A x16



5

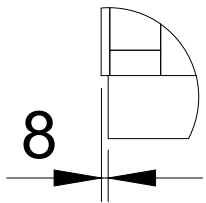
$$x=y$$



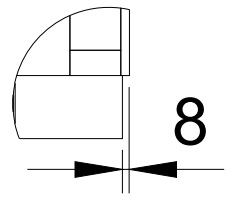
A

B

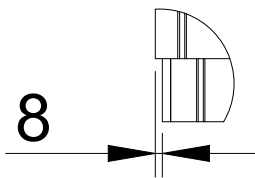
Det A



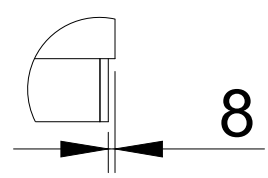
Det B



Det C



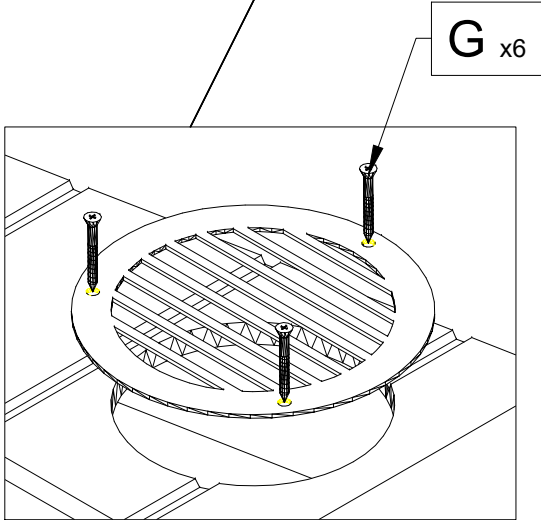
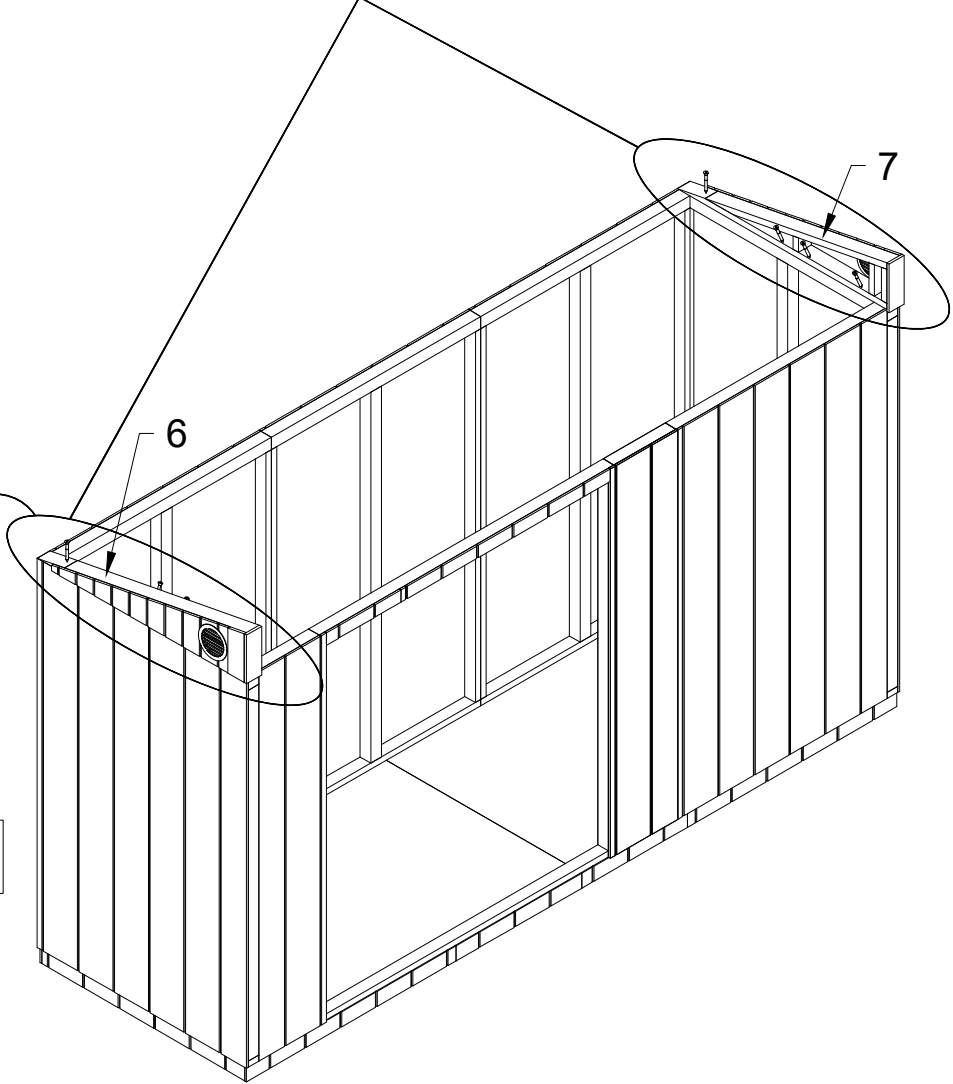
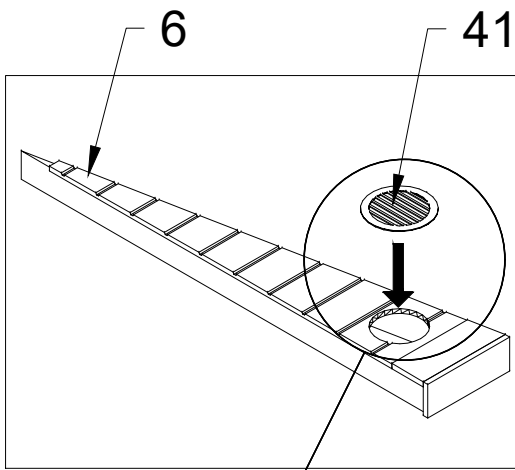
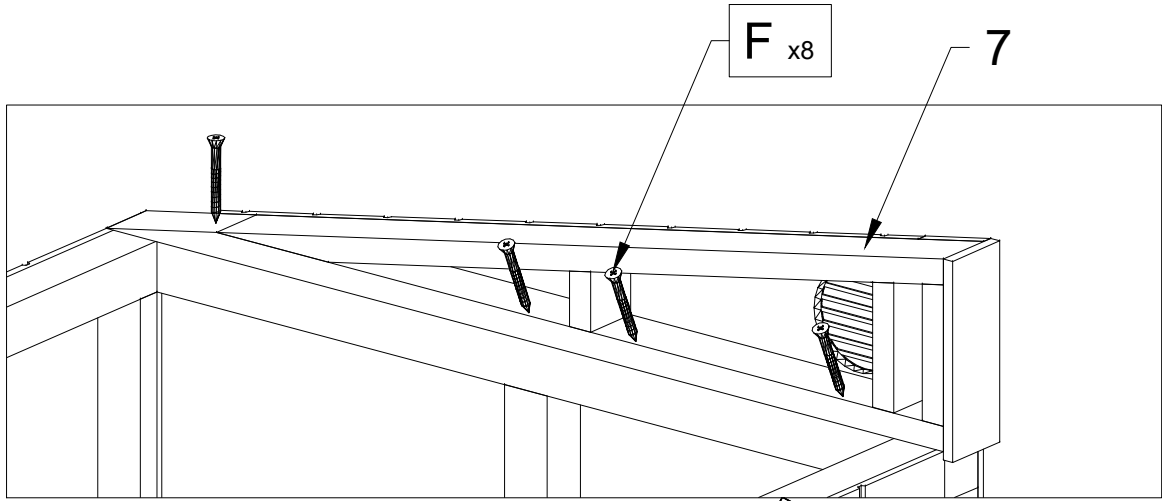
Det D



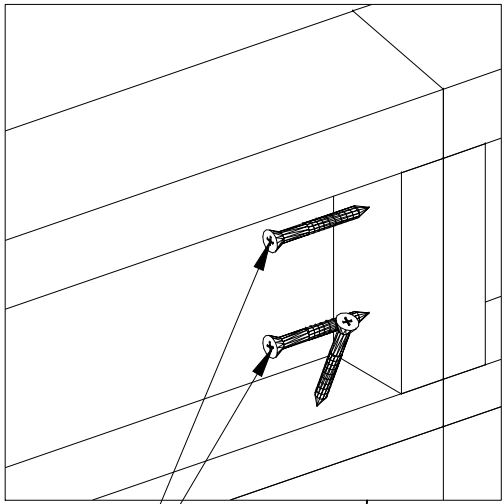
C

D

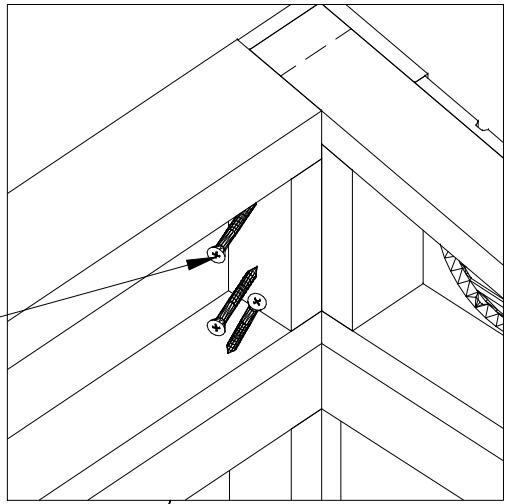
6



7

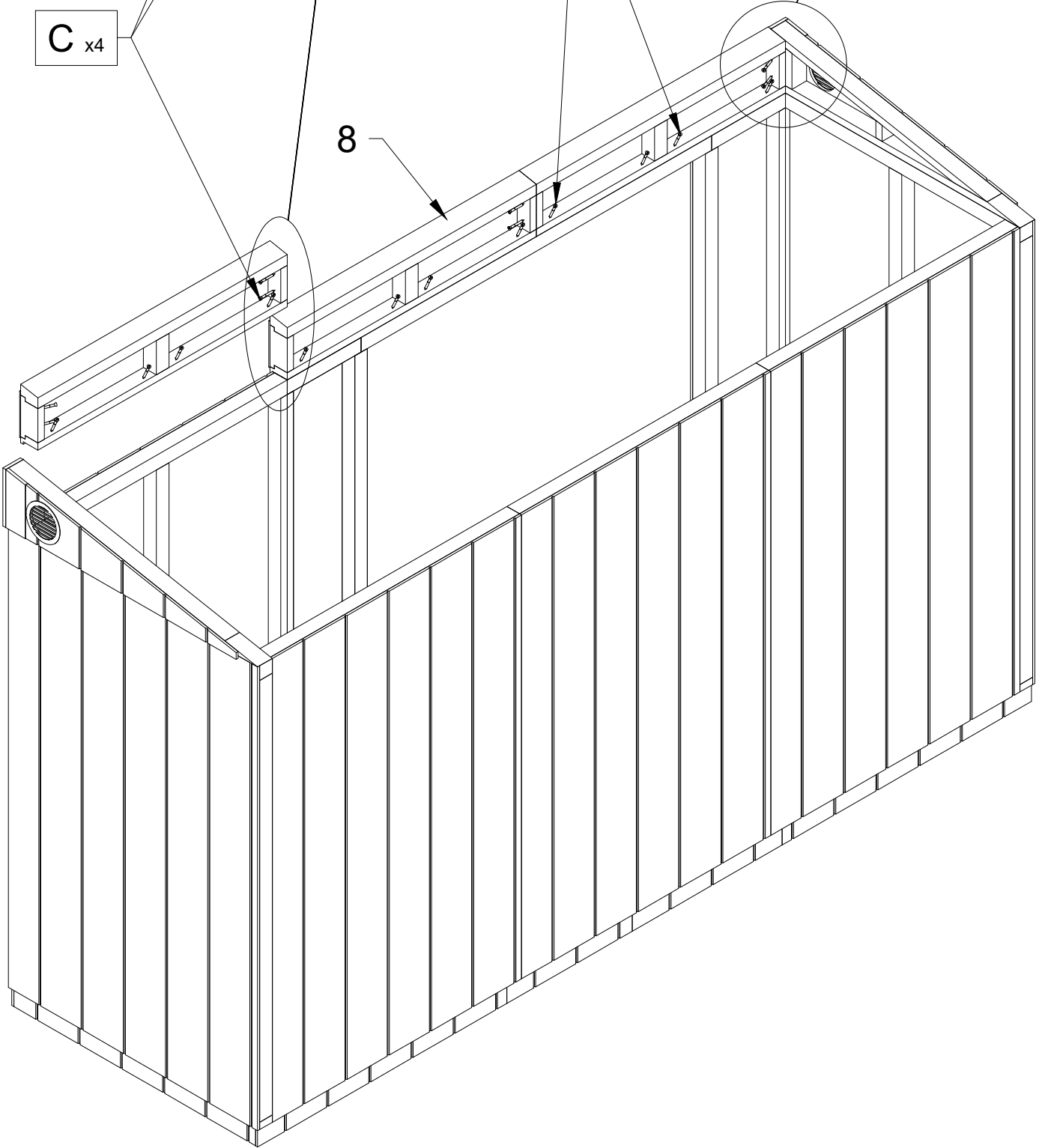


C x4

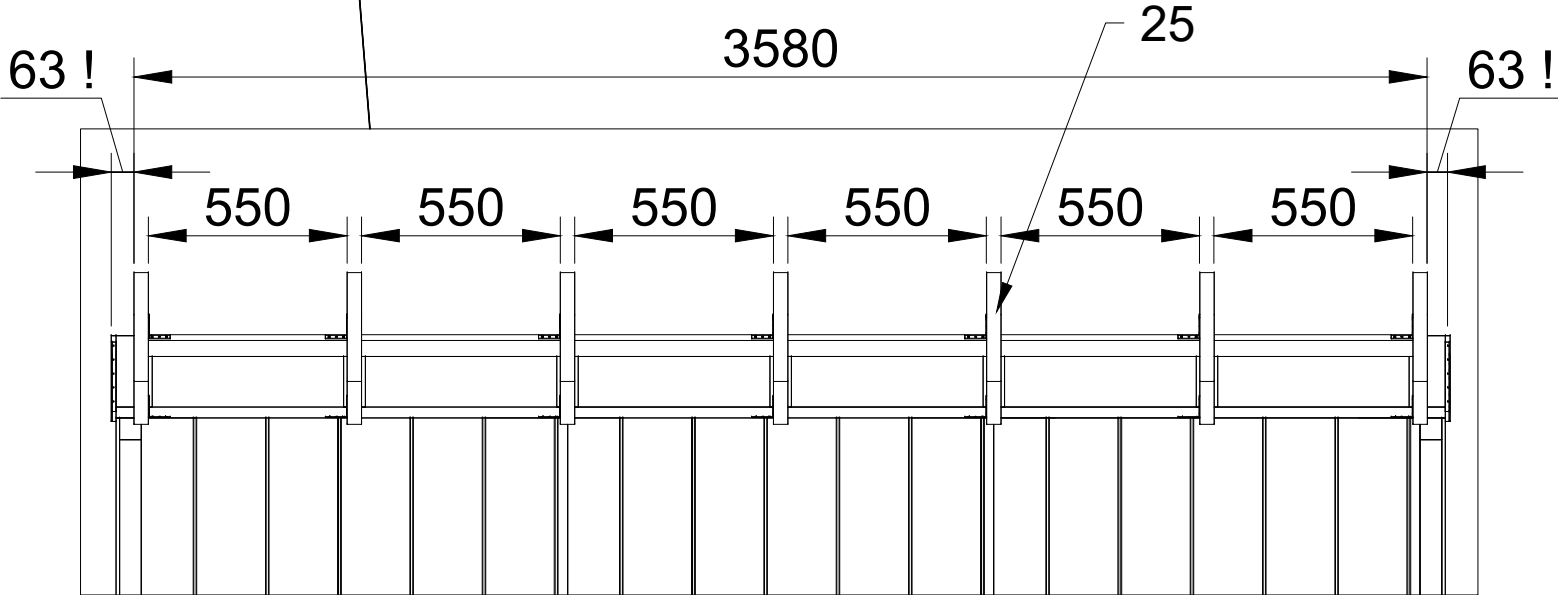
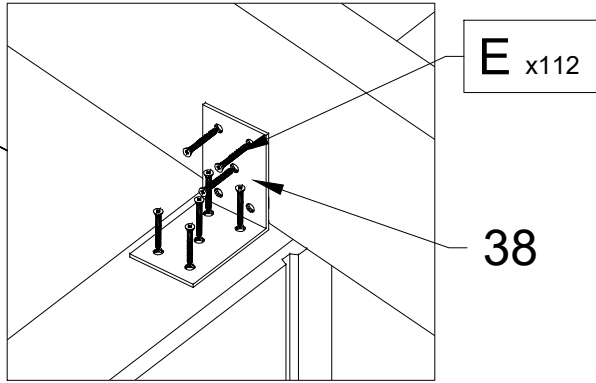
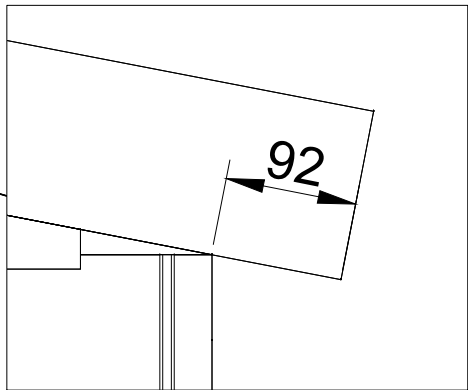
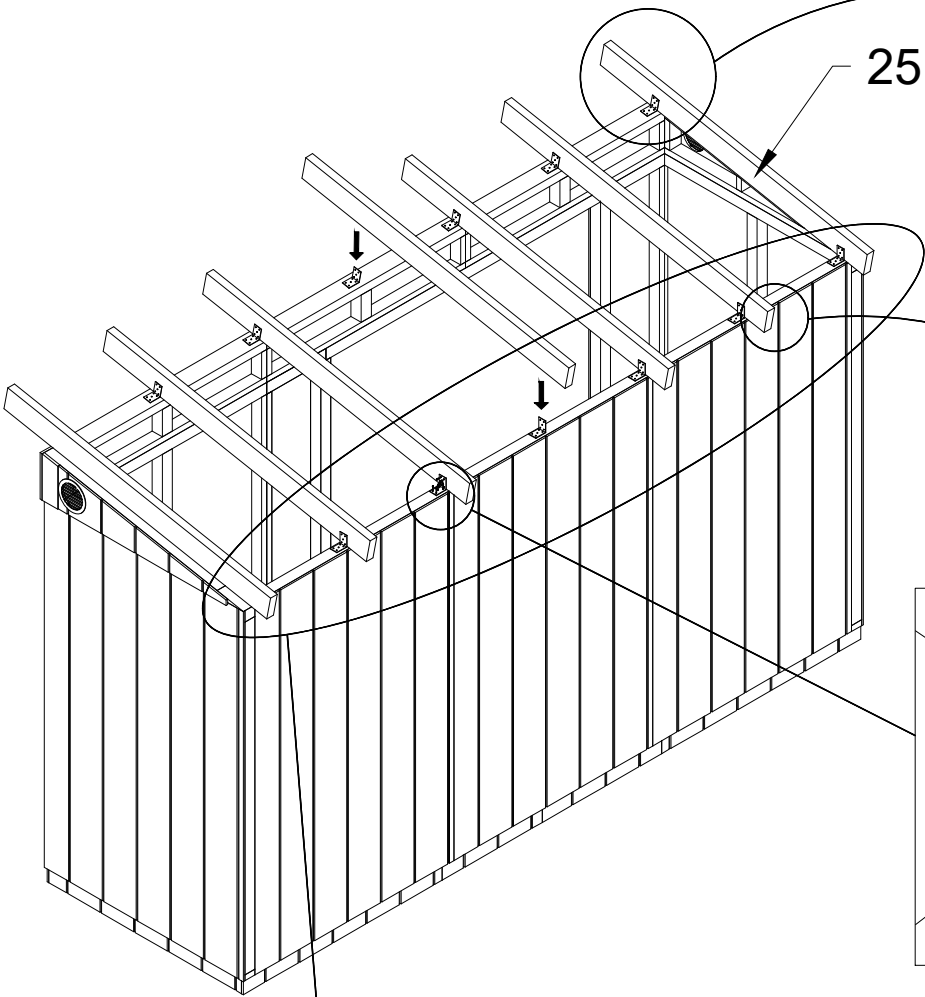
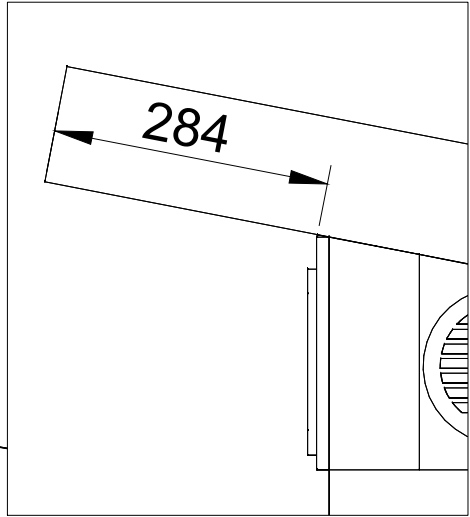
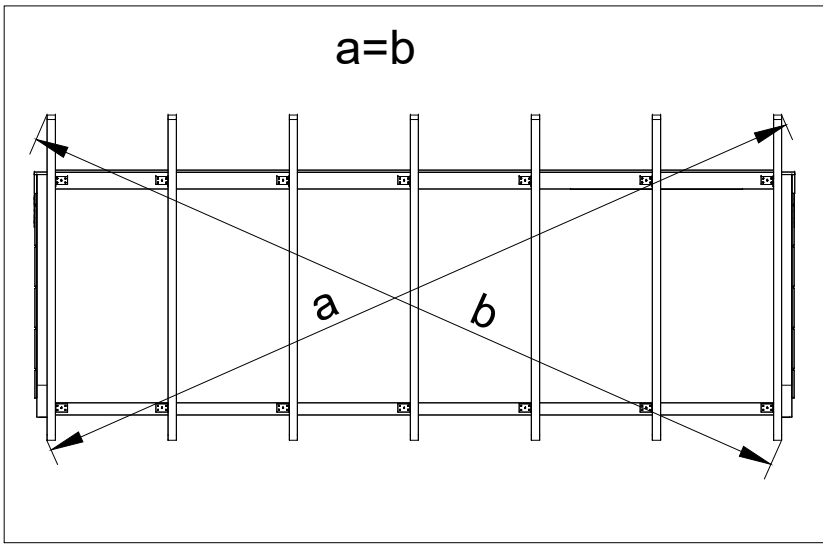


F x16

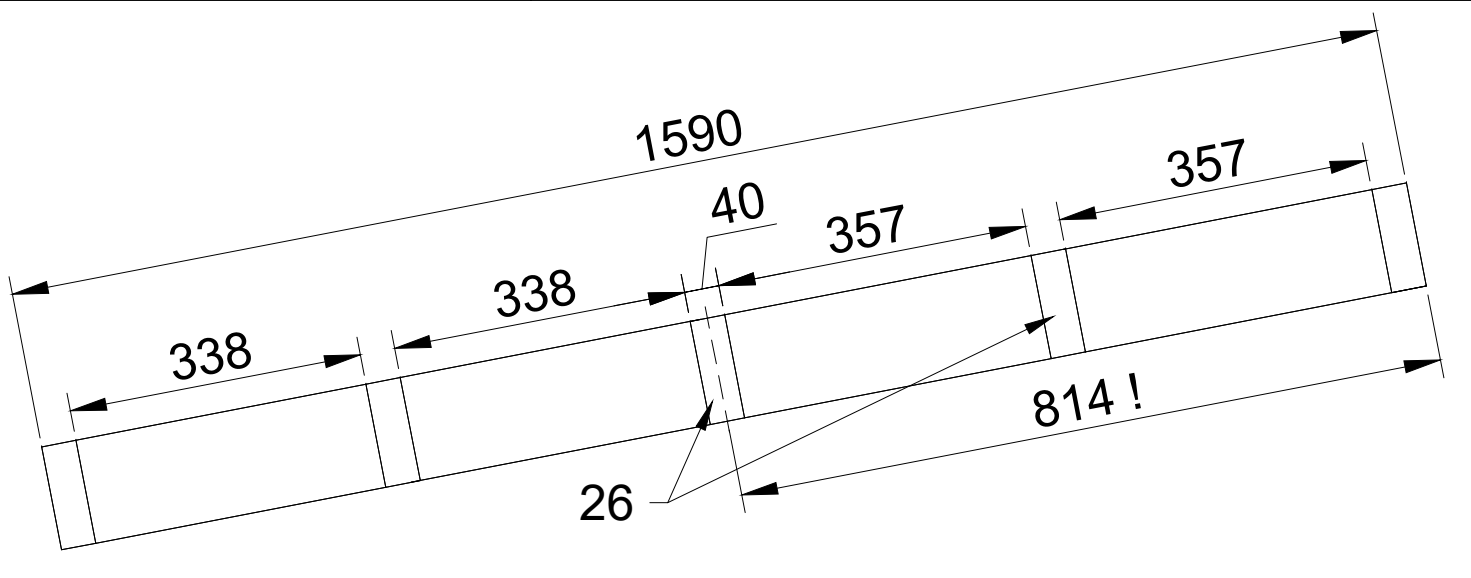
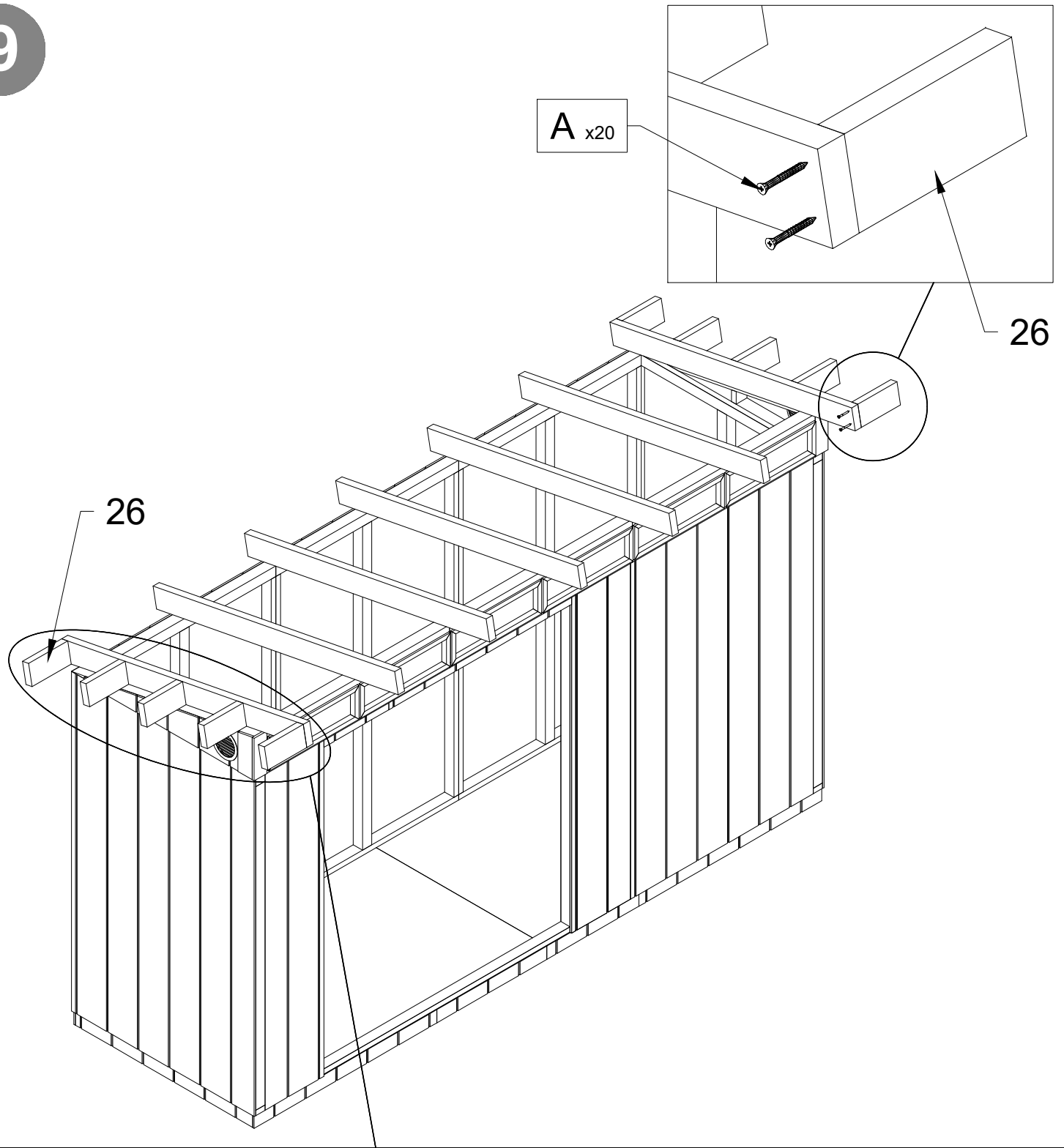
8

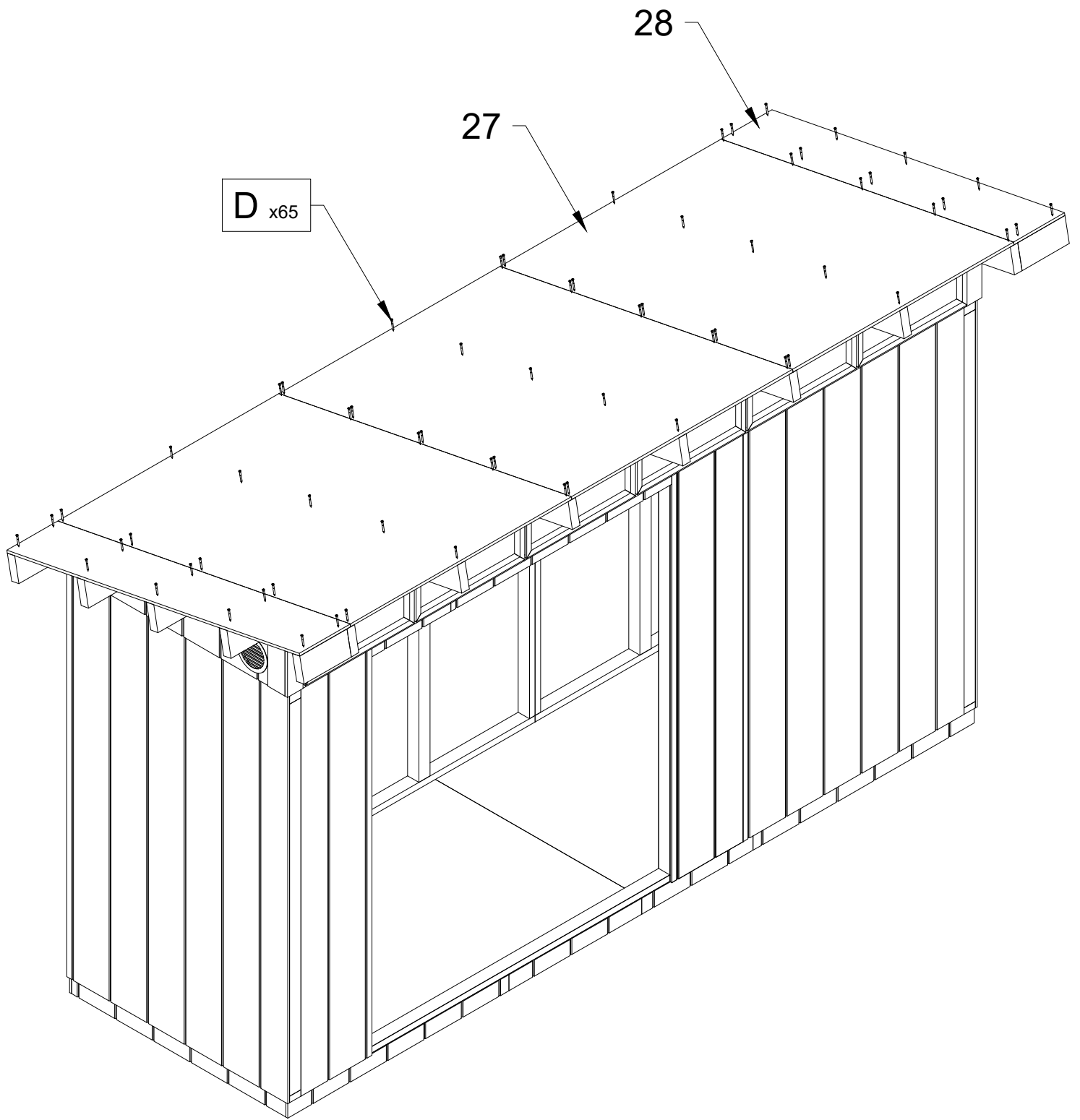


8

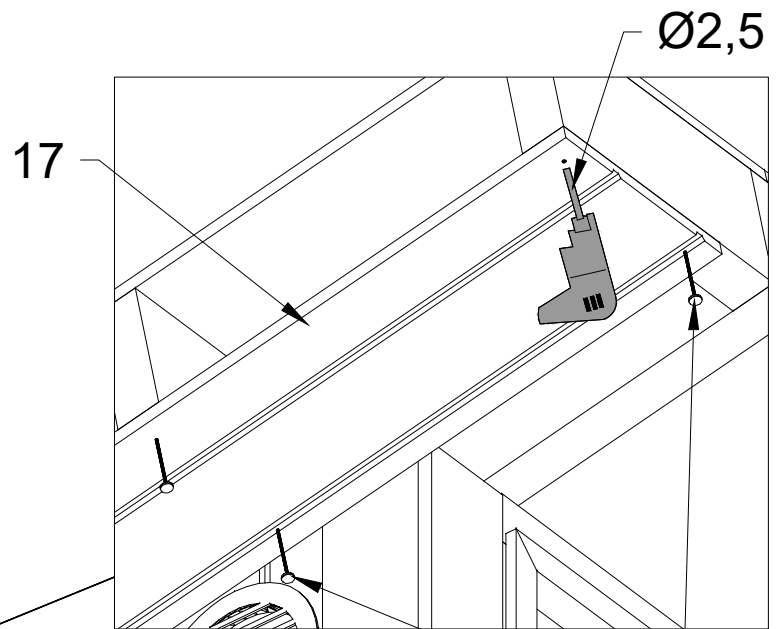


9

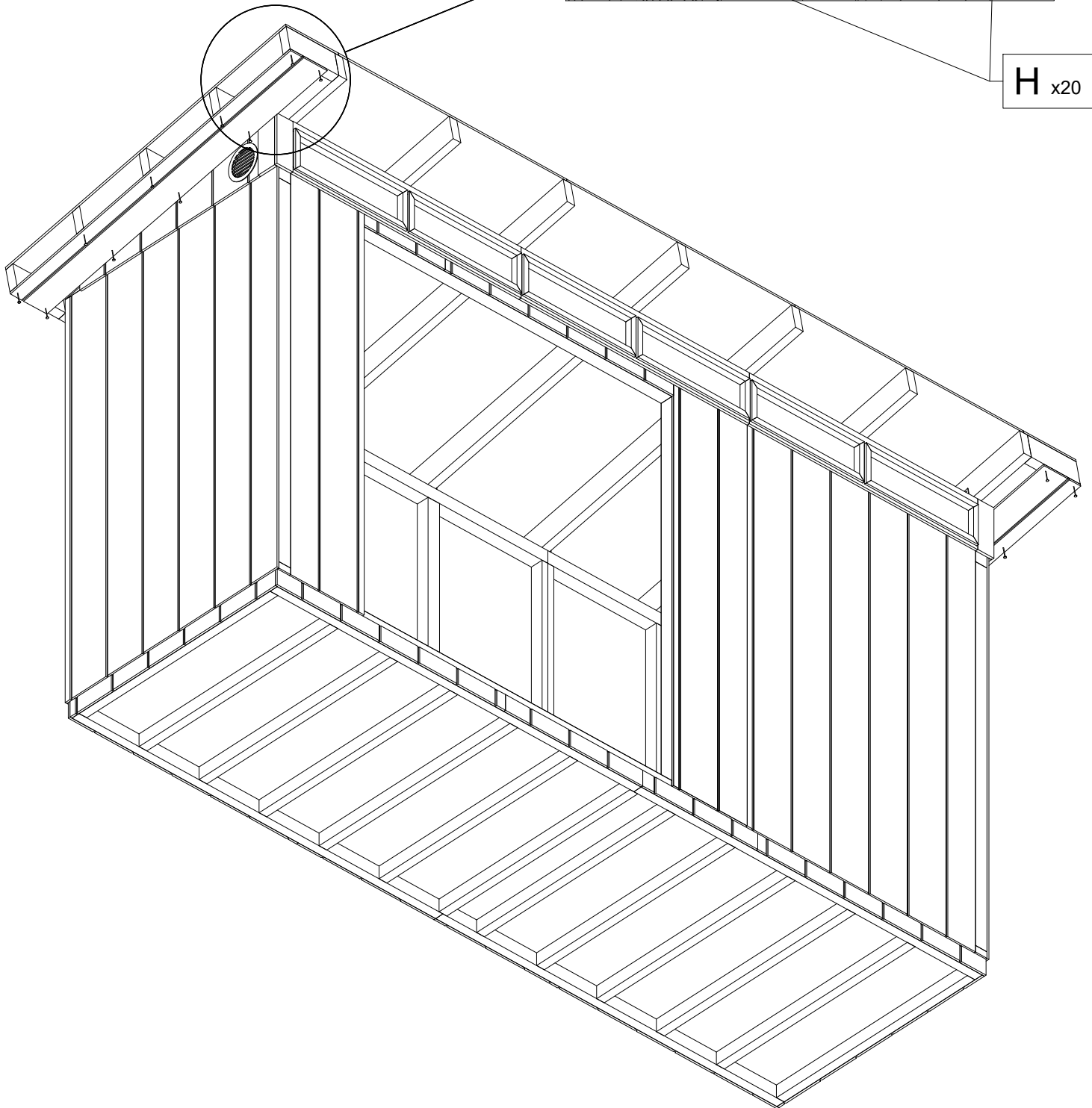




11



H x20

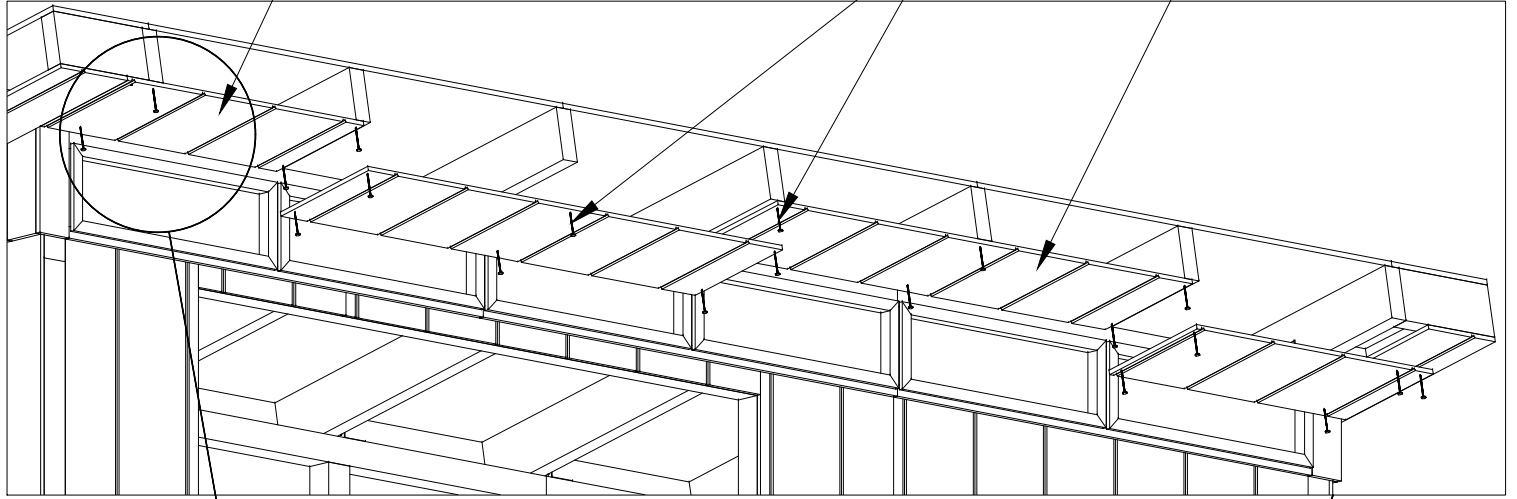


12

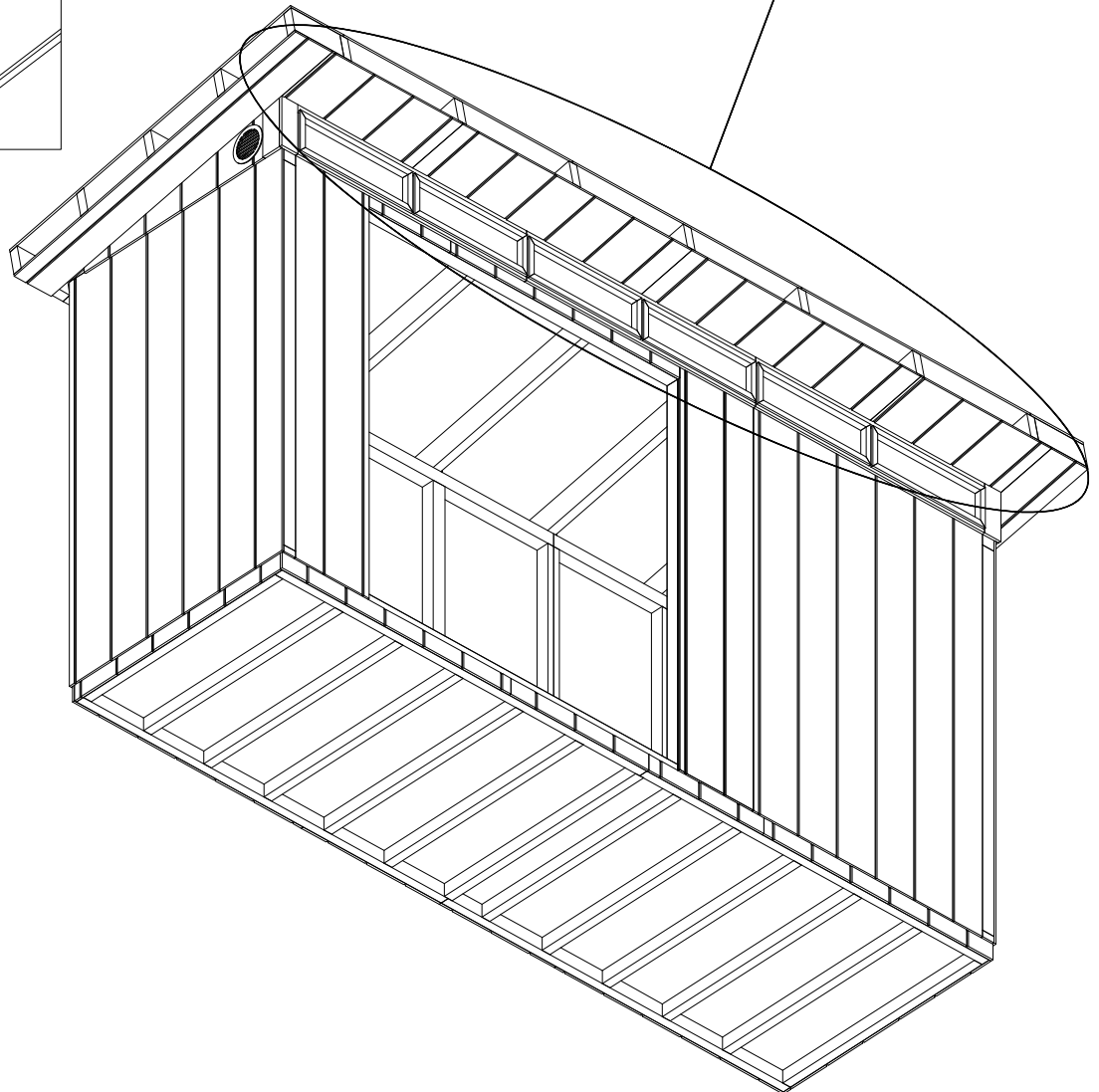
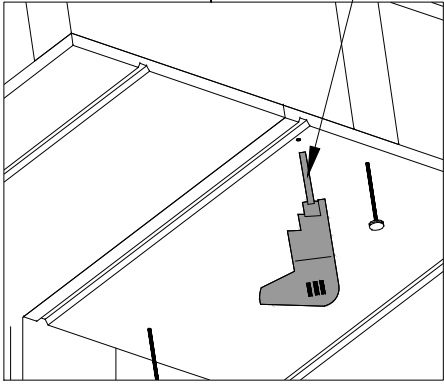
13

H x22

14



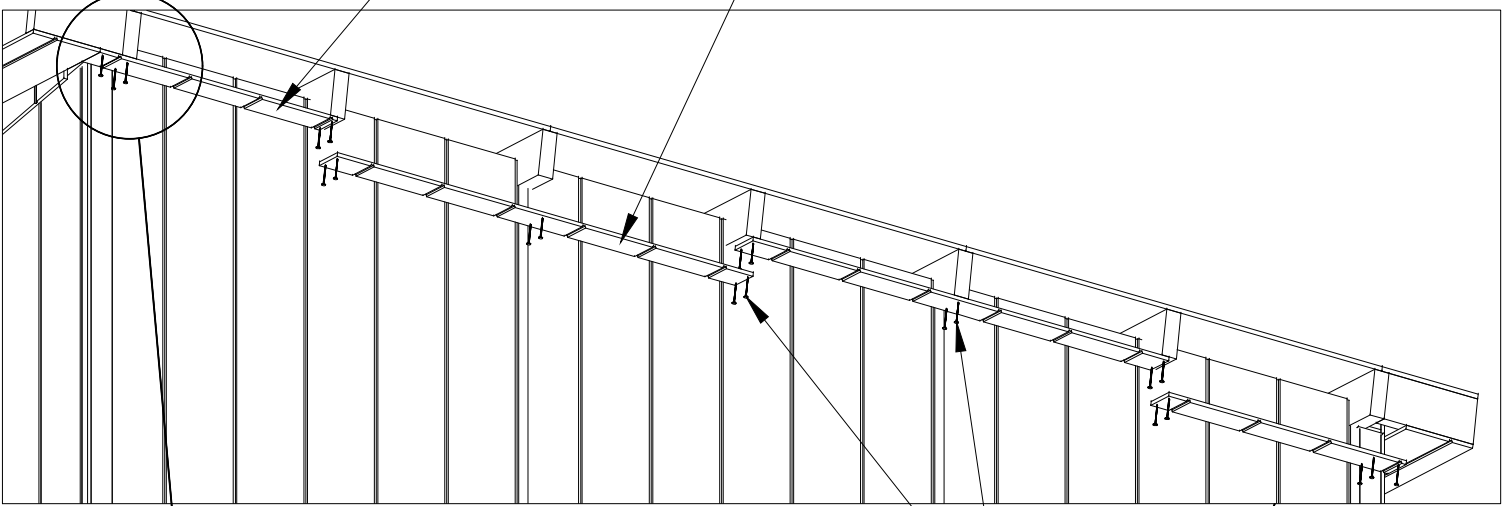
Ø2,5



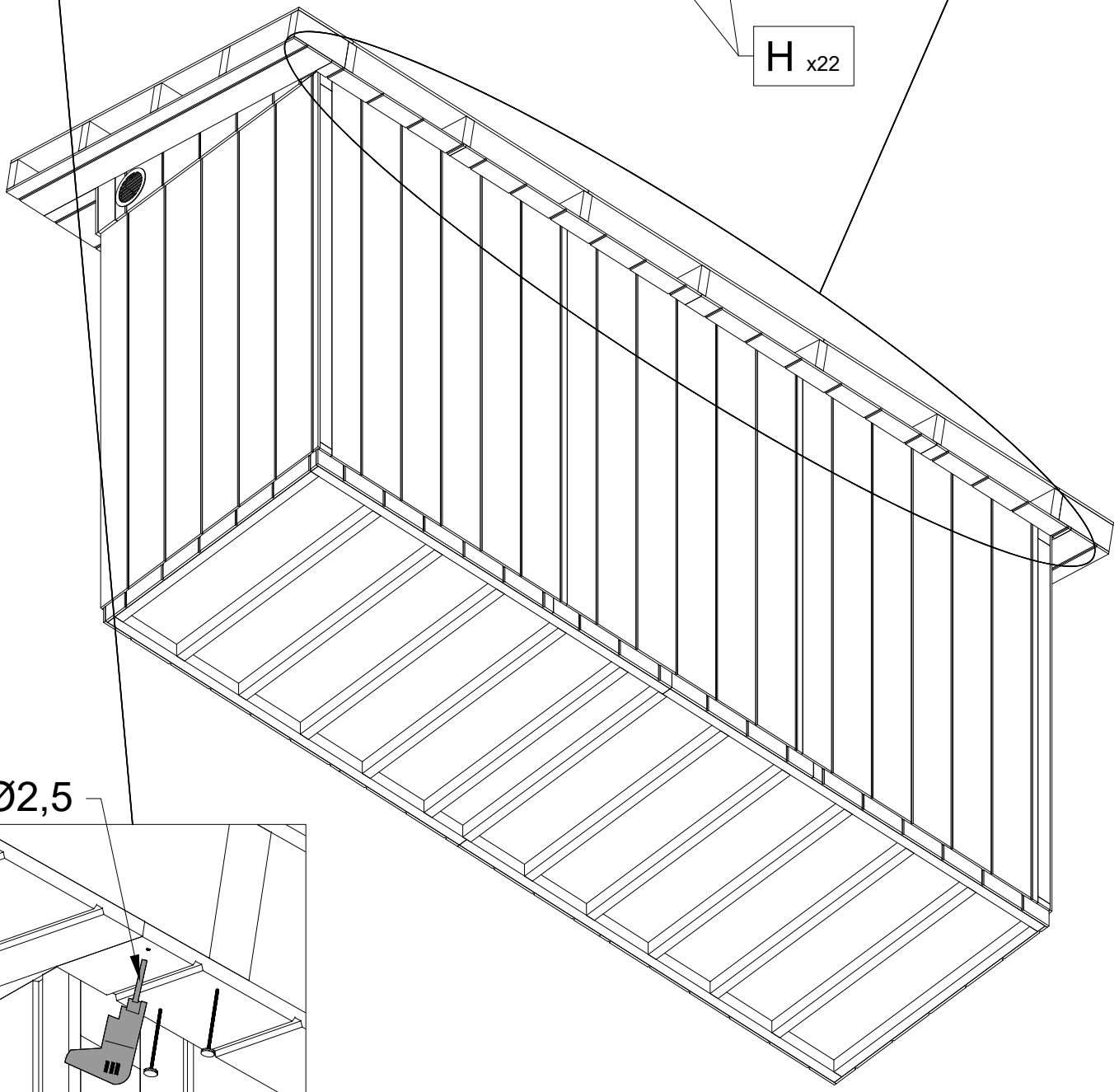
13

15

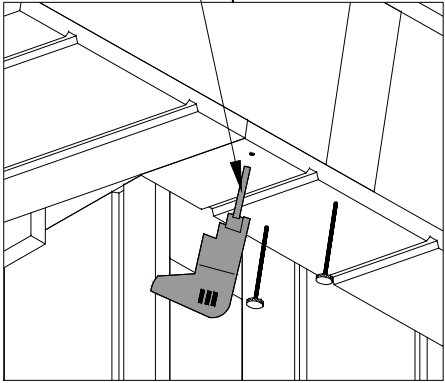
16



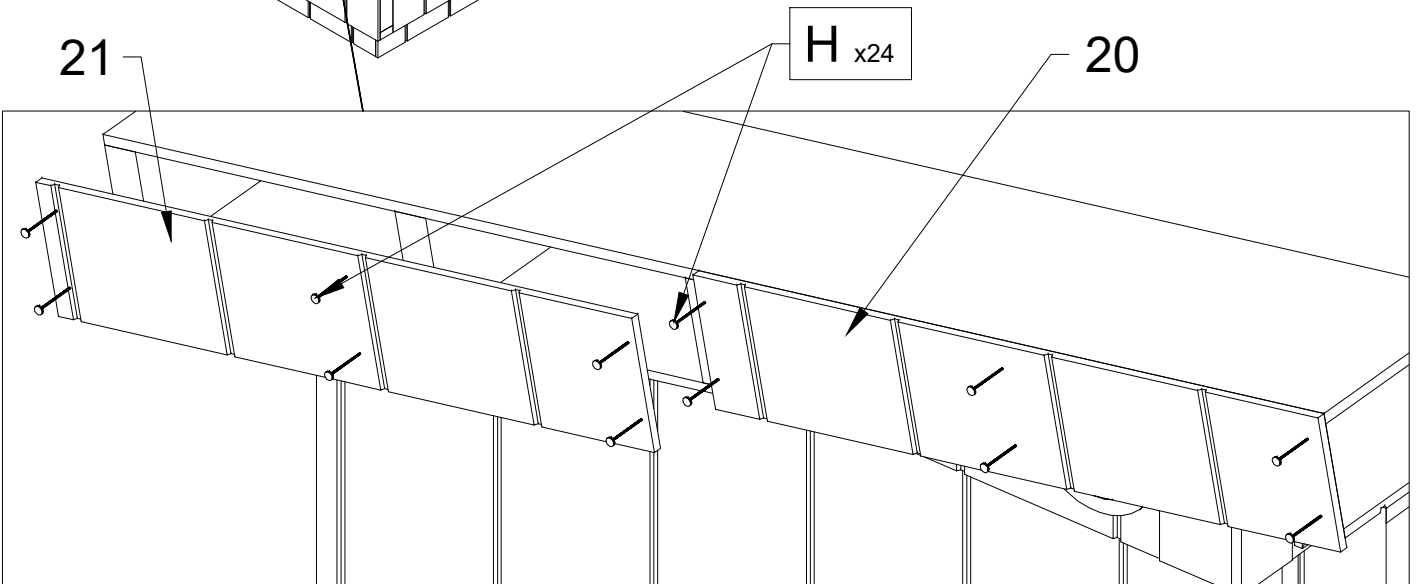
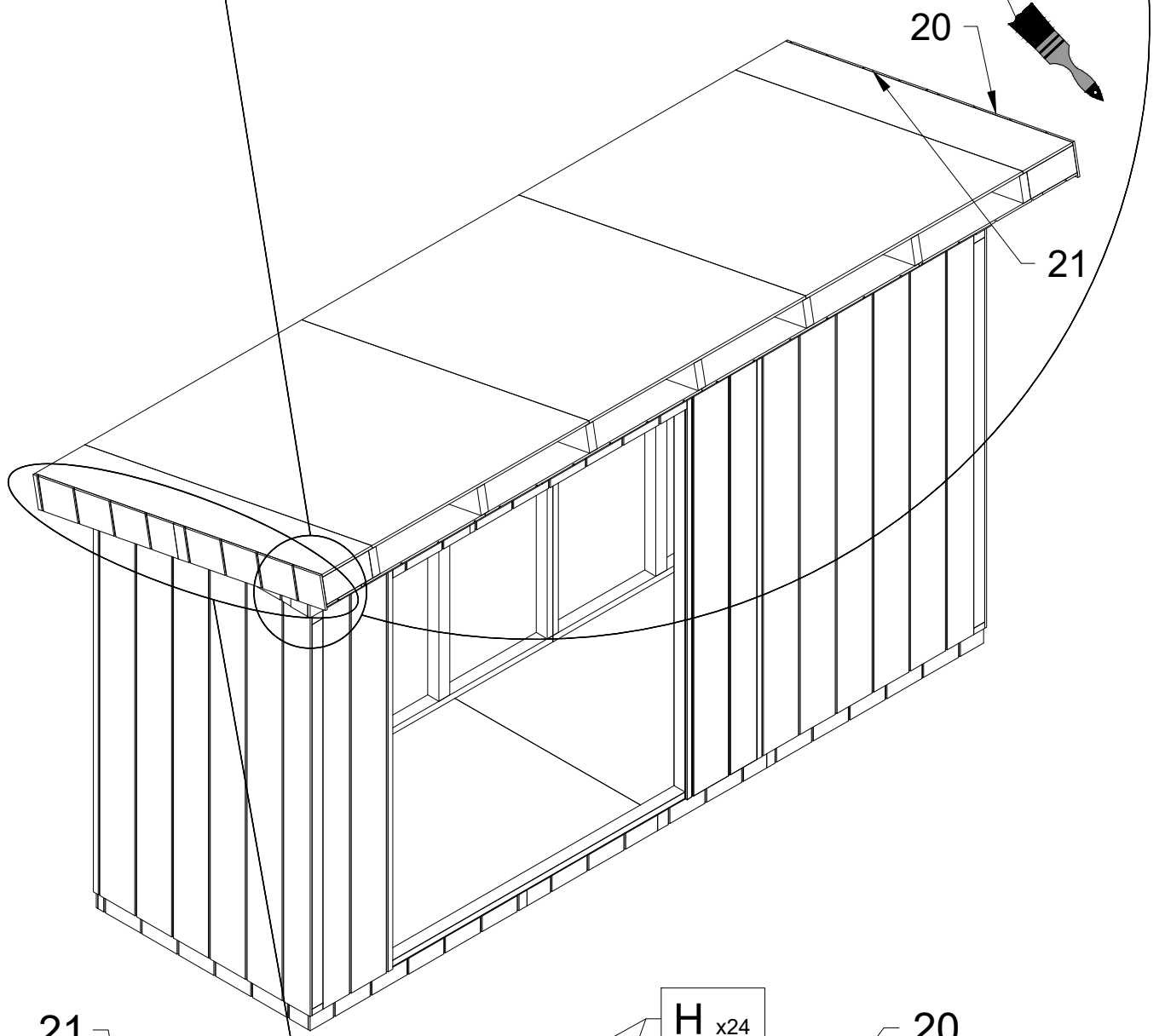
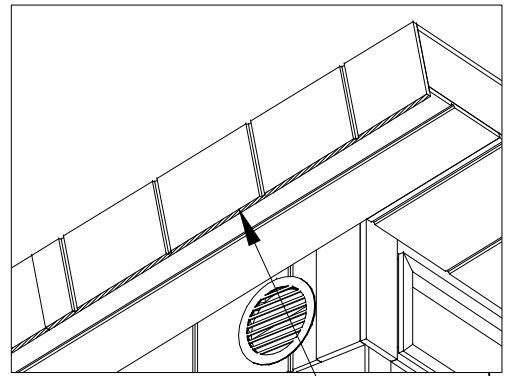
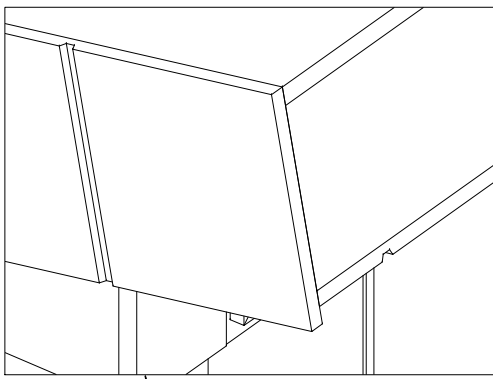
H x22



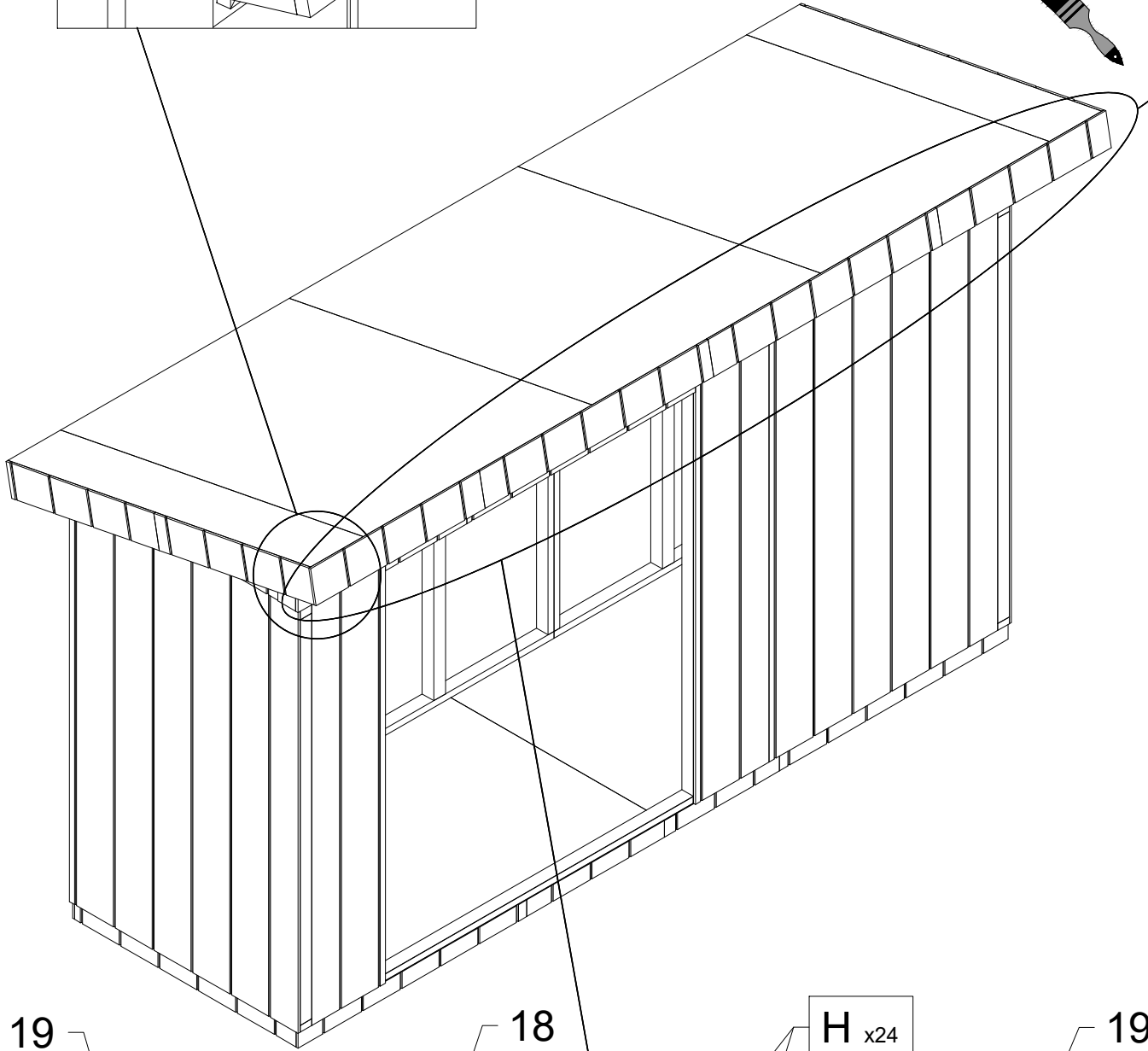
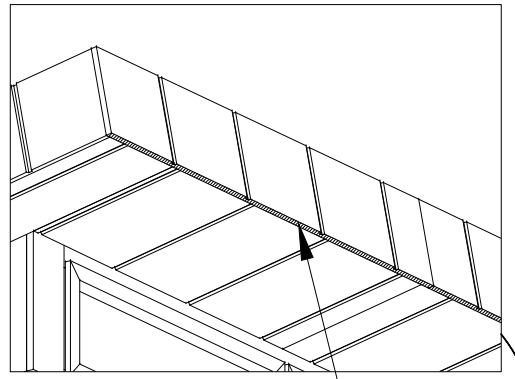
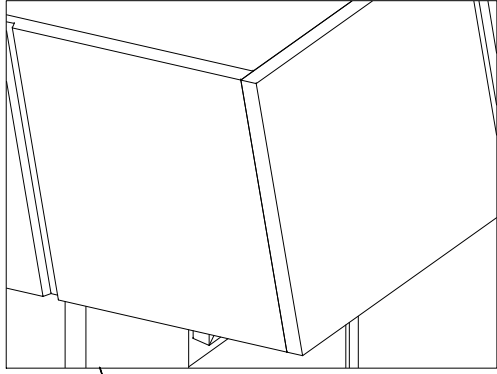
Ø2,5



14



15

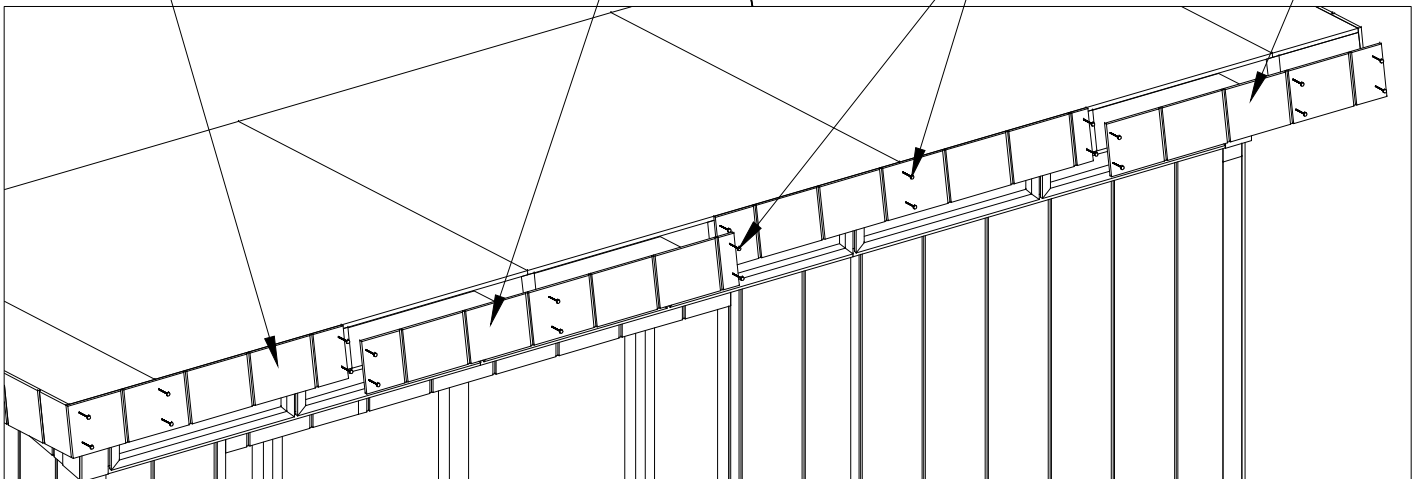


19

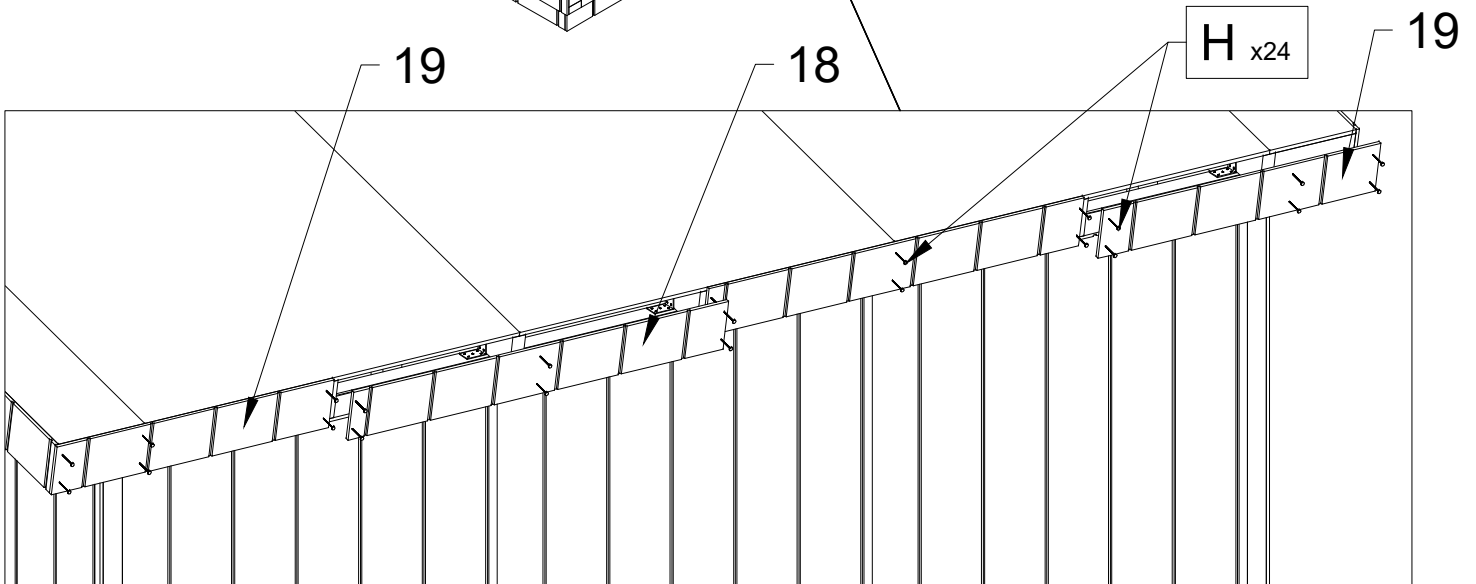
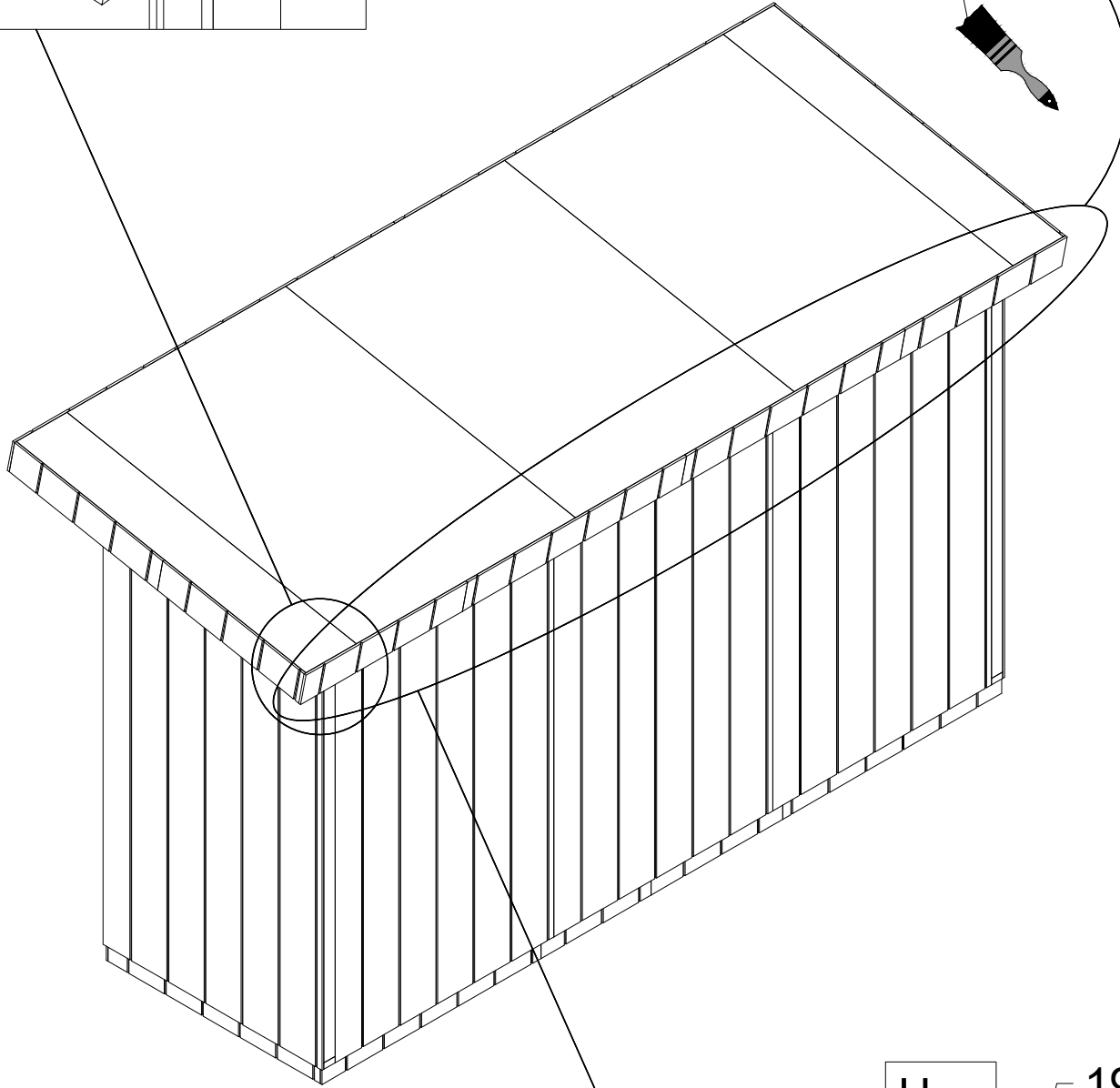
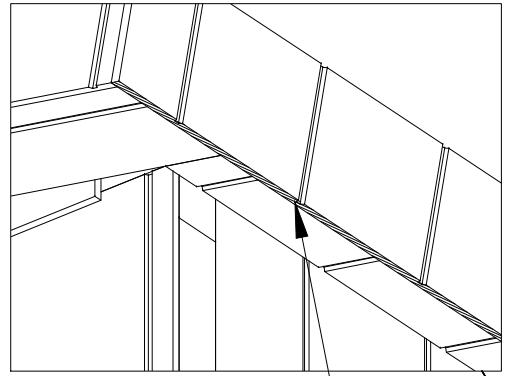
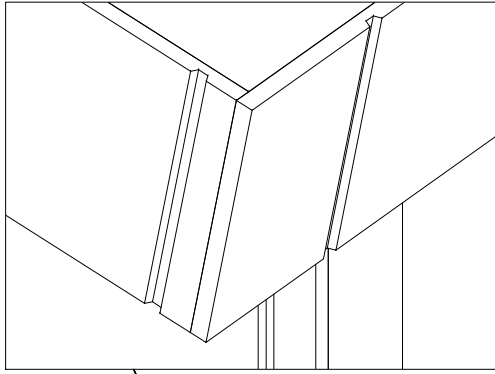
18

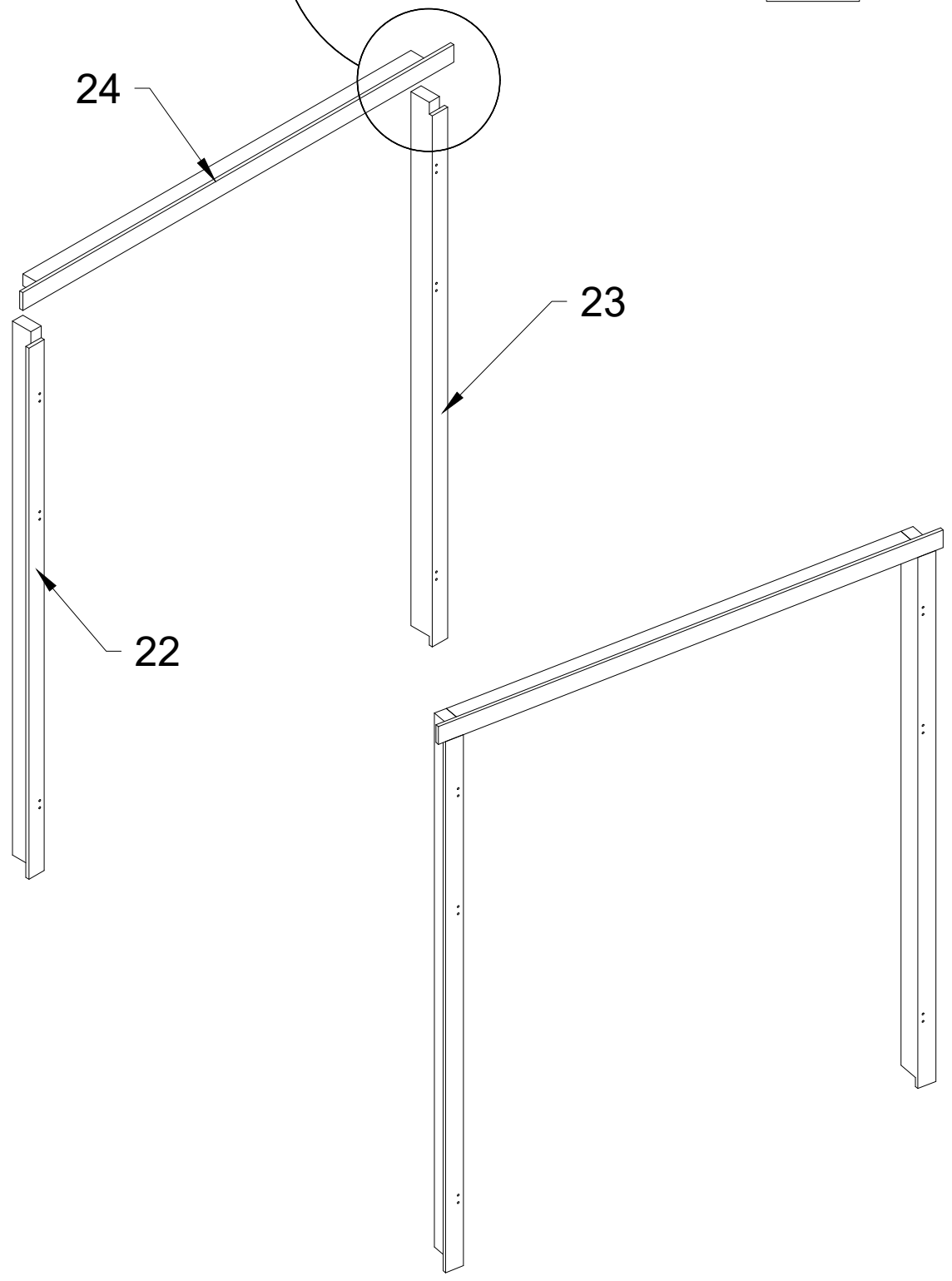
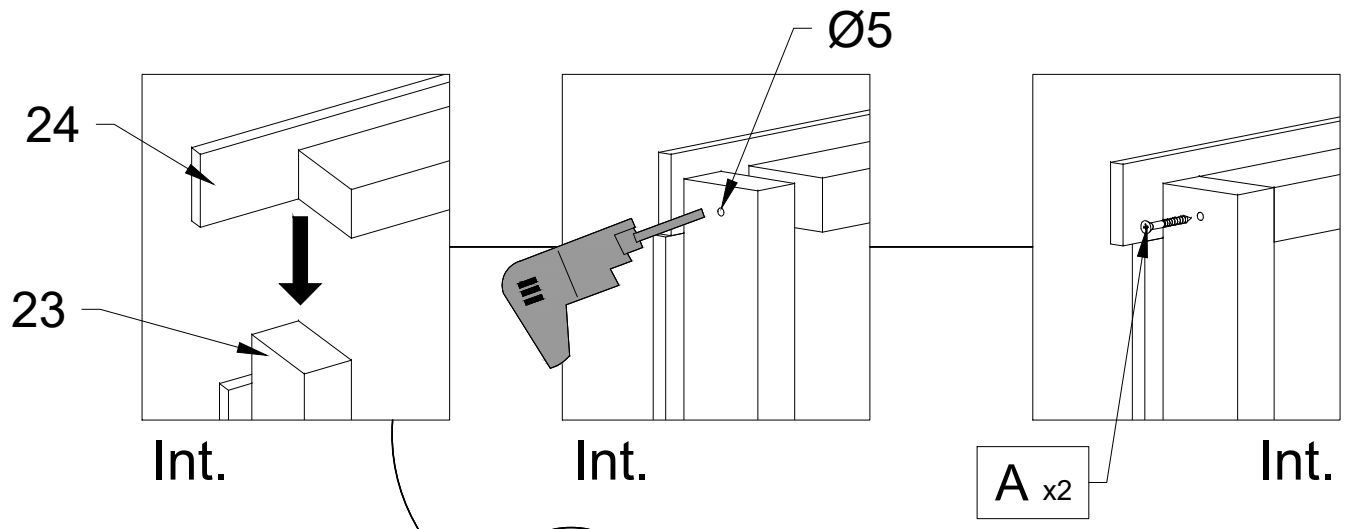
H x24

19

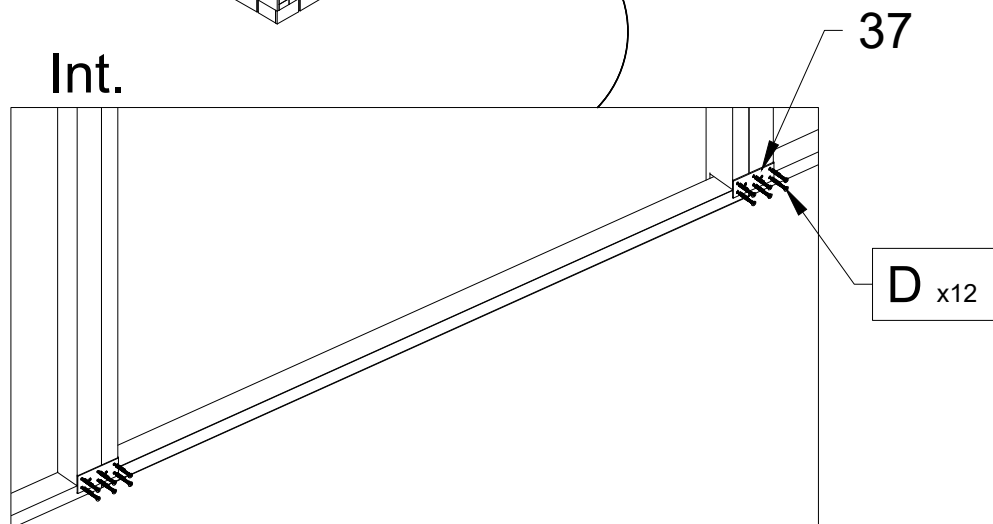
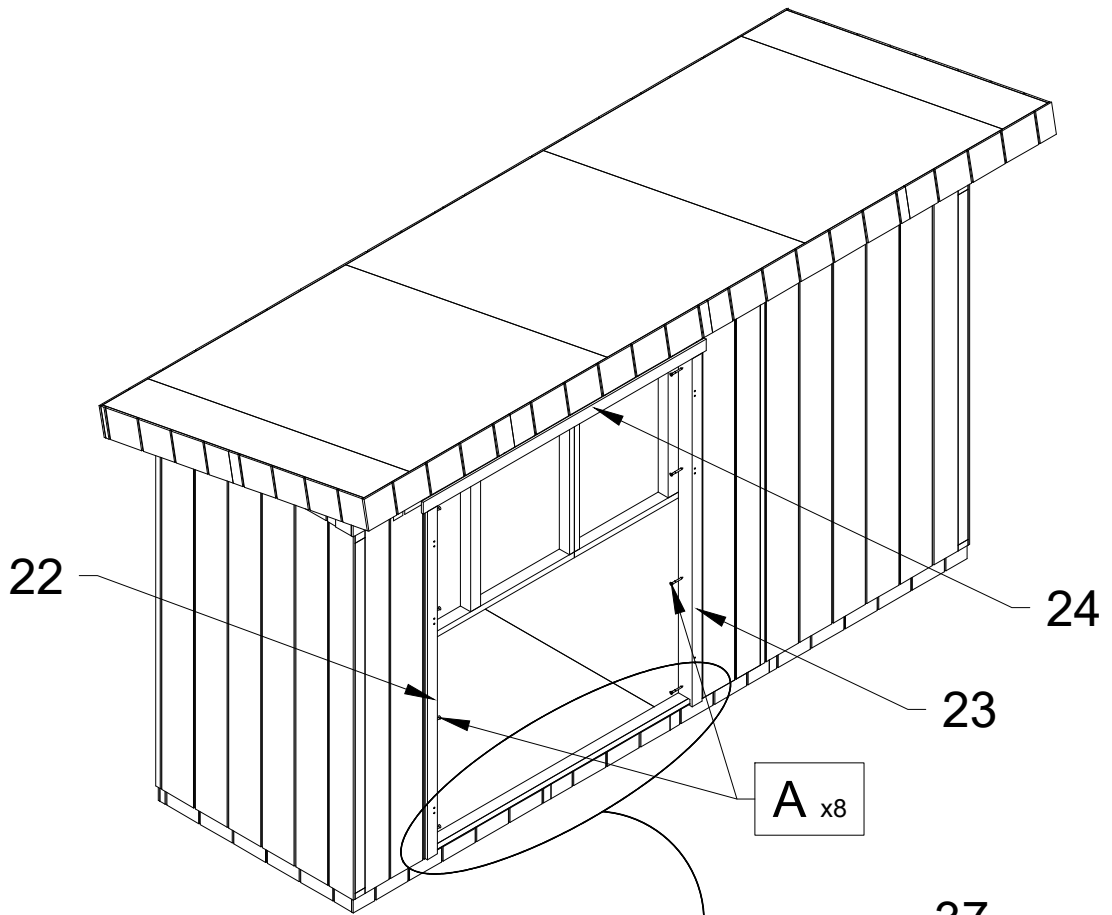
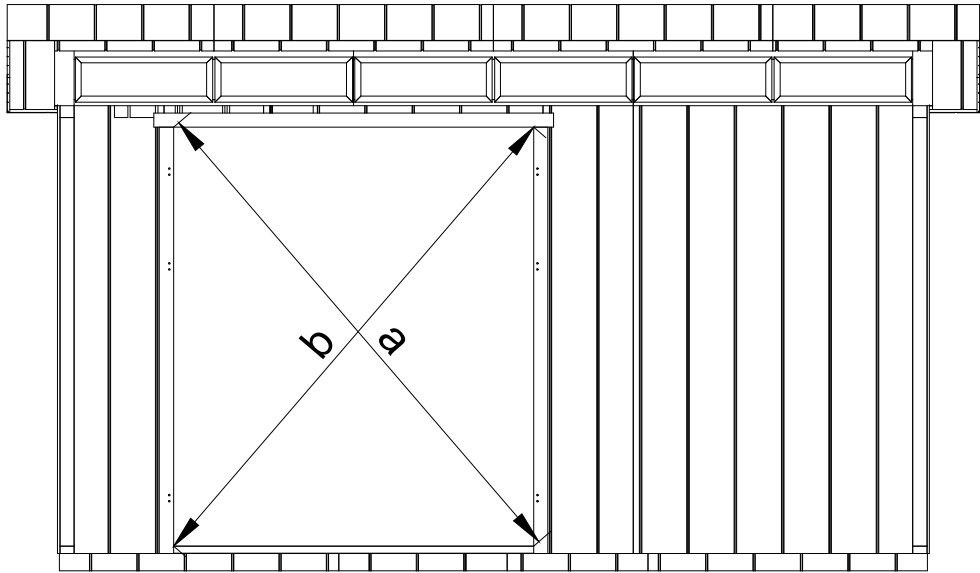


16





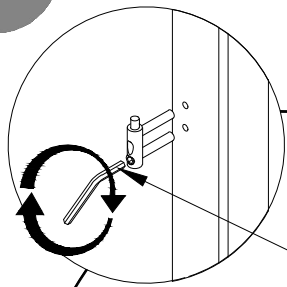
a=b



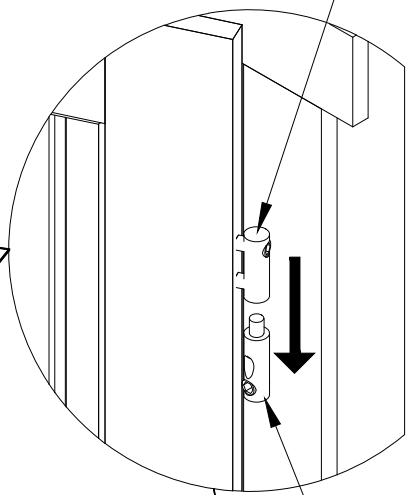
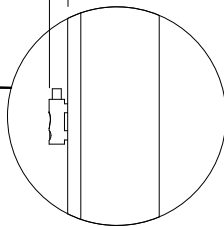
19

14-19mm

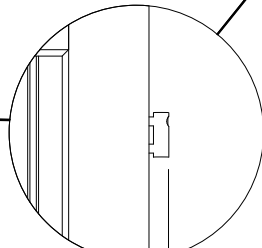
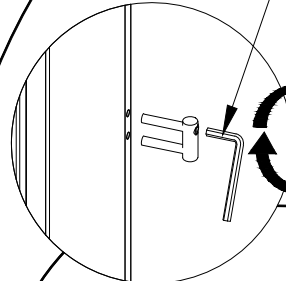
39



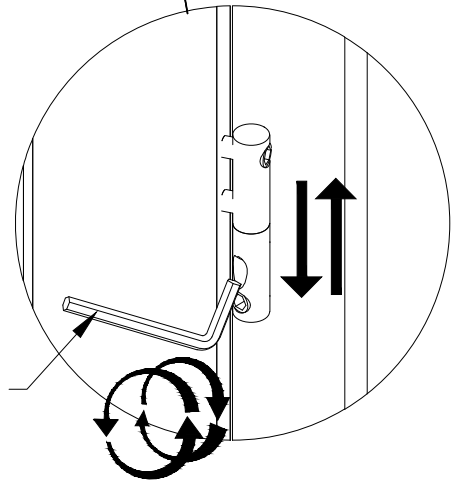
43



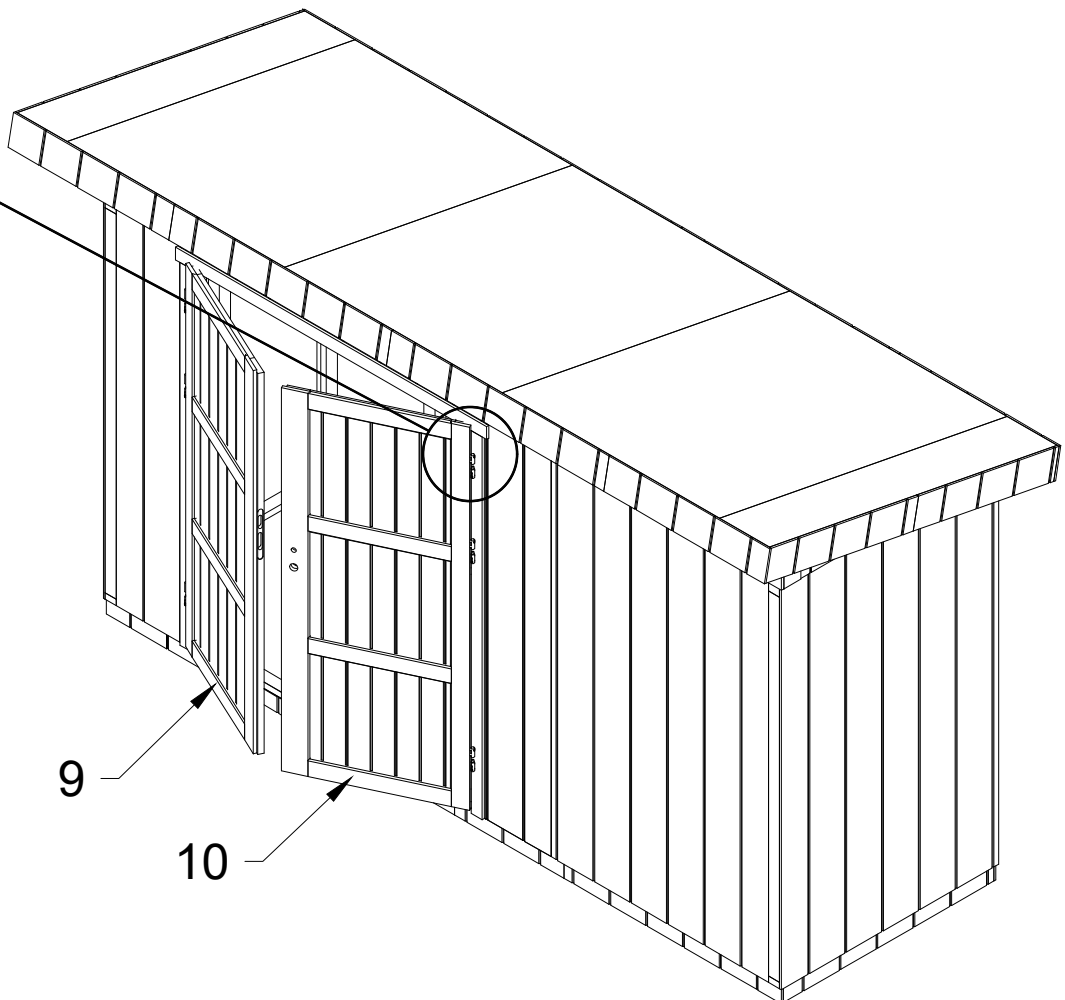
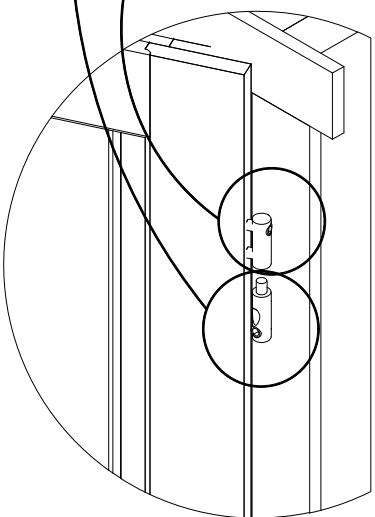
39.1



14-19mm

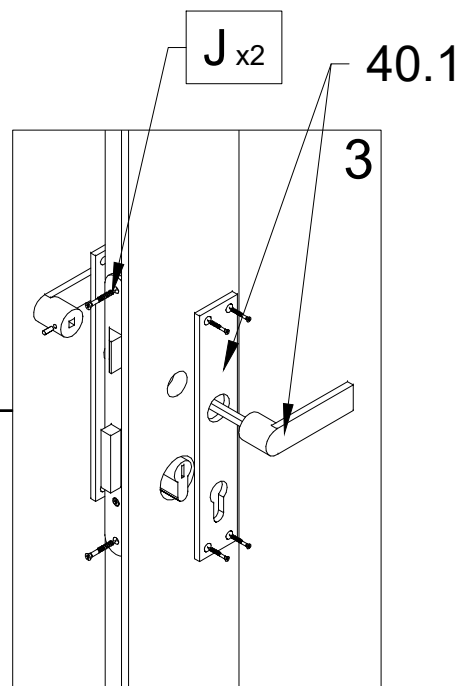
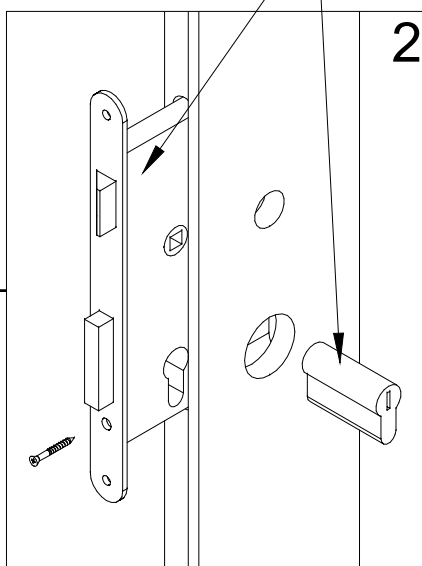
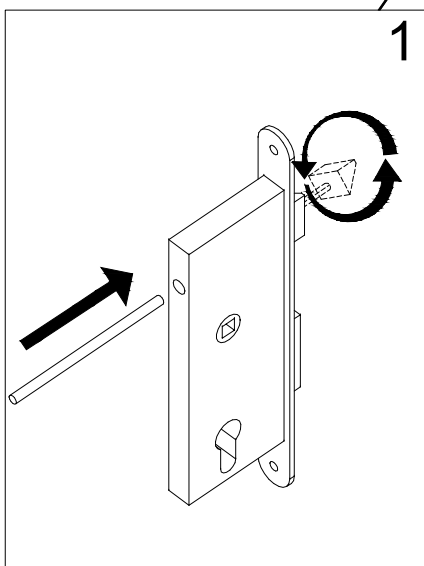
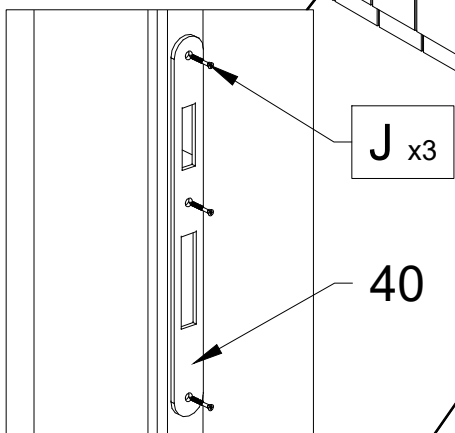
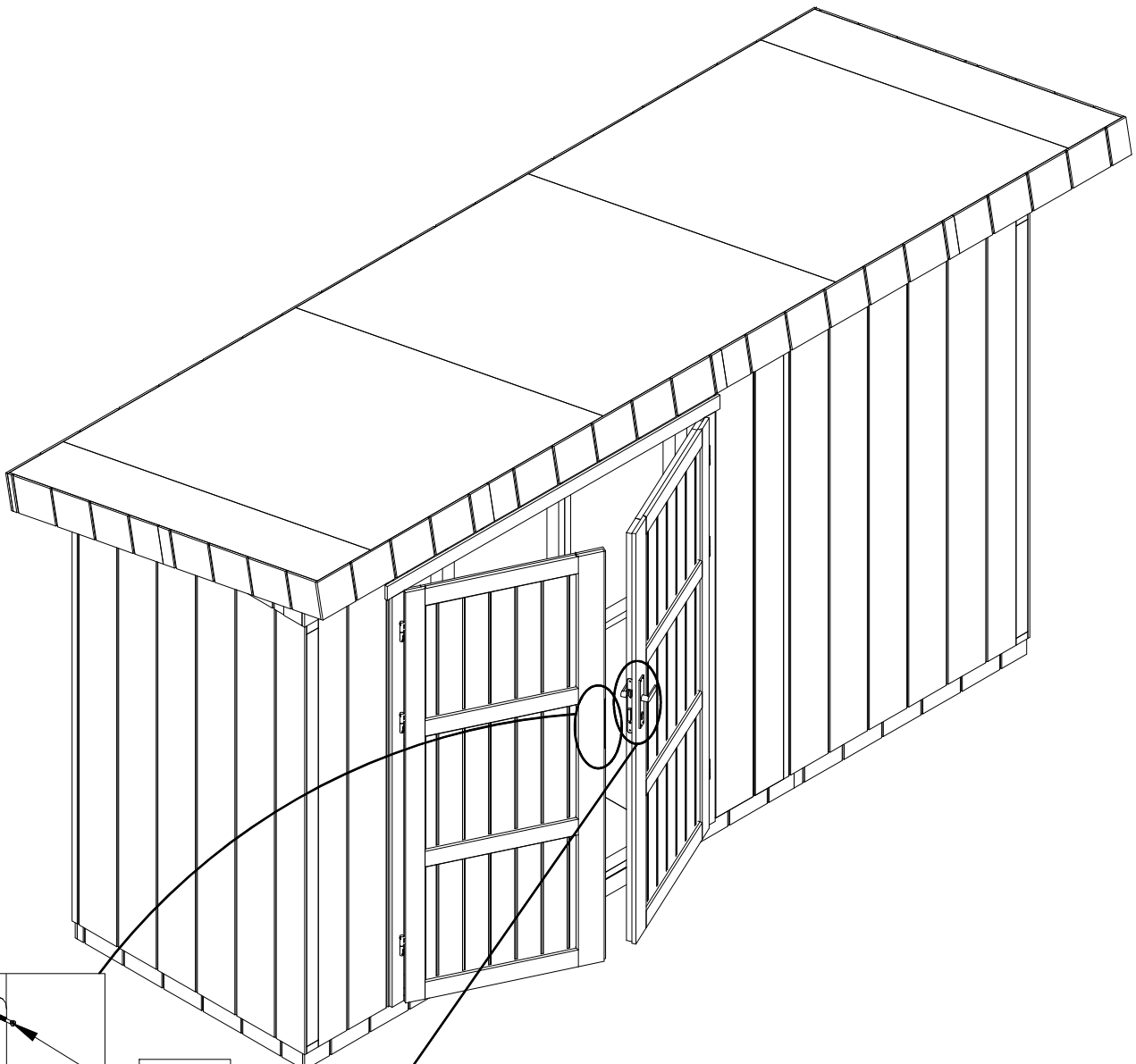


44



9

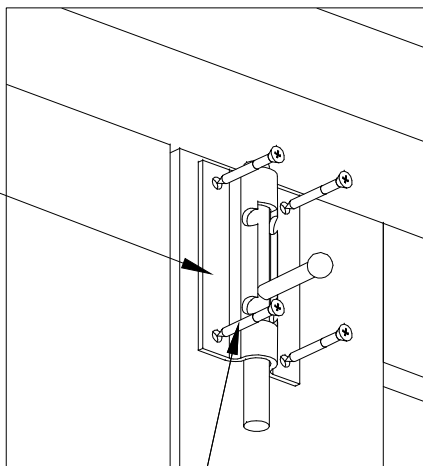
10



21

Int.

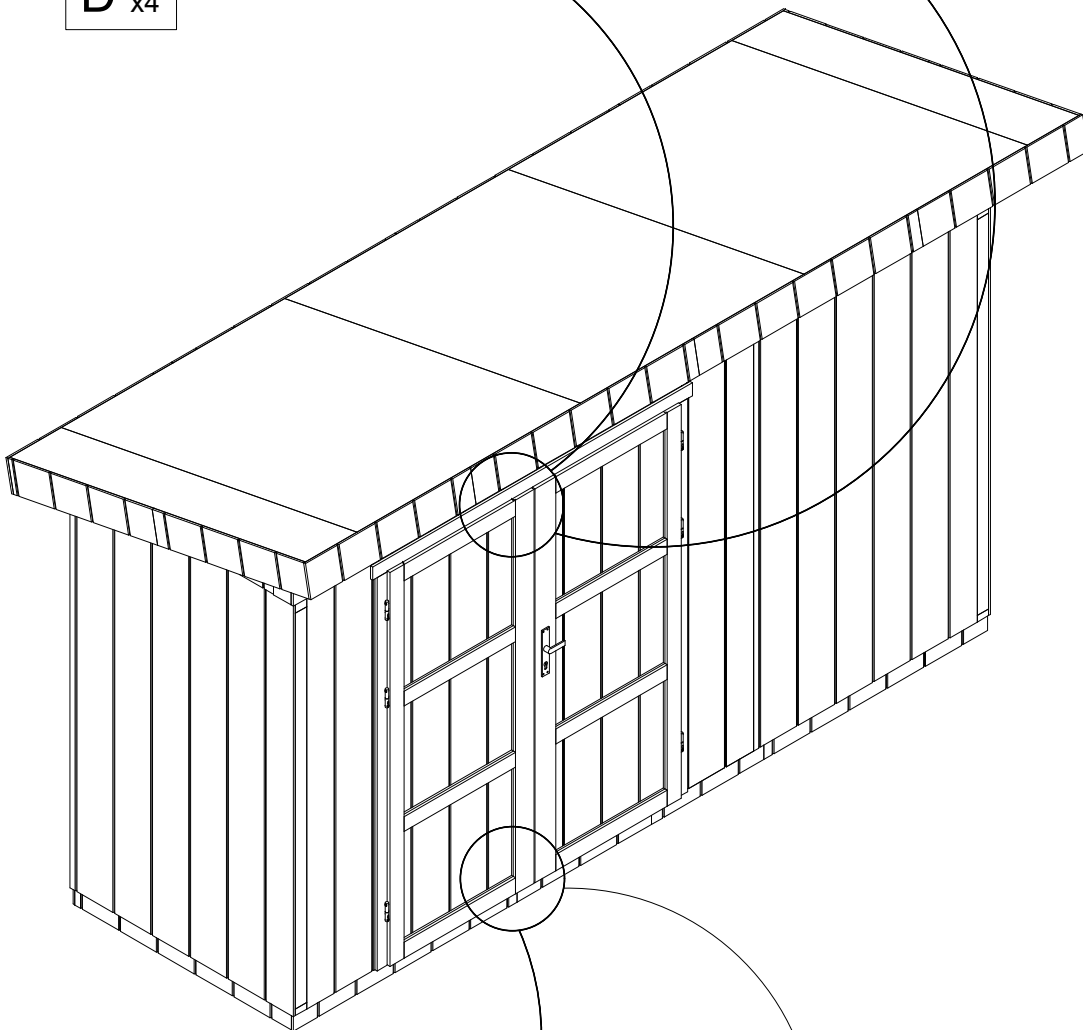
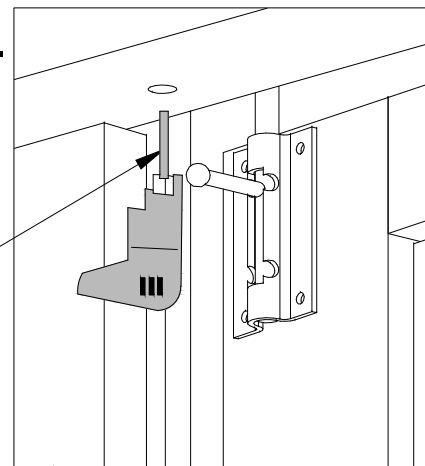
42



D x4

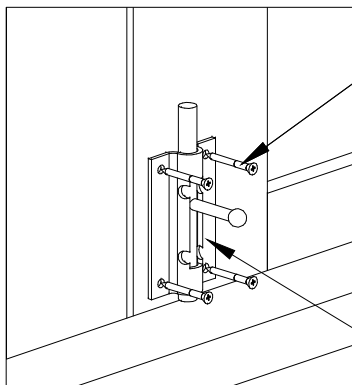
Int.

Ø12



Int.

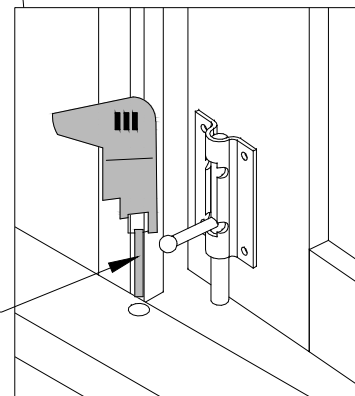
D x4

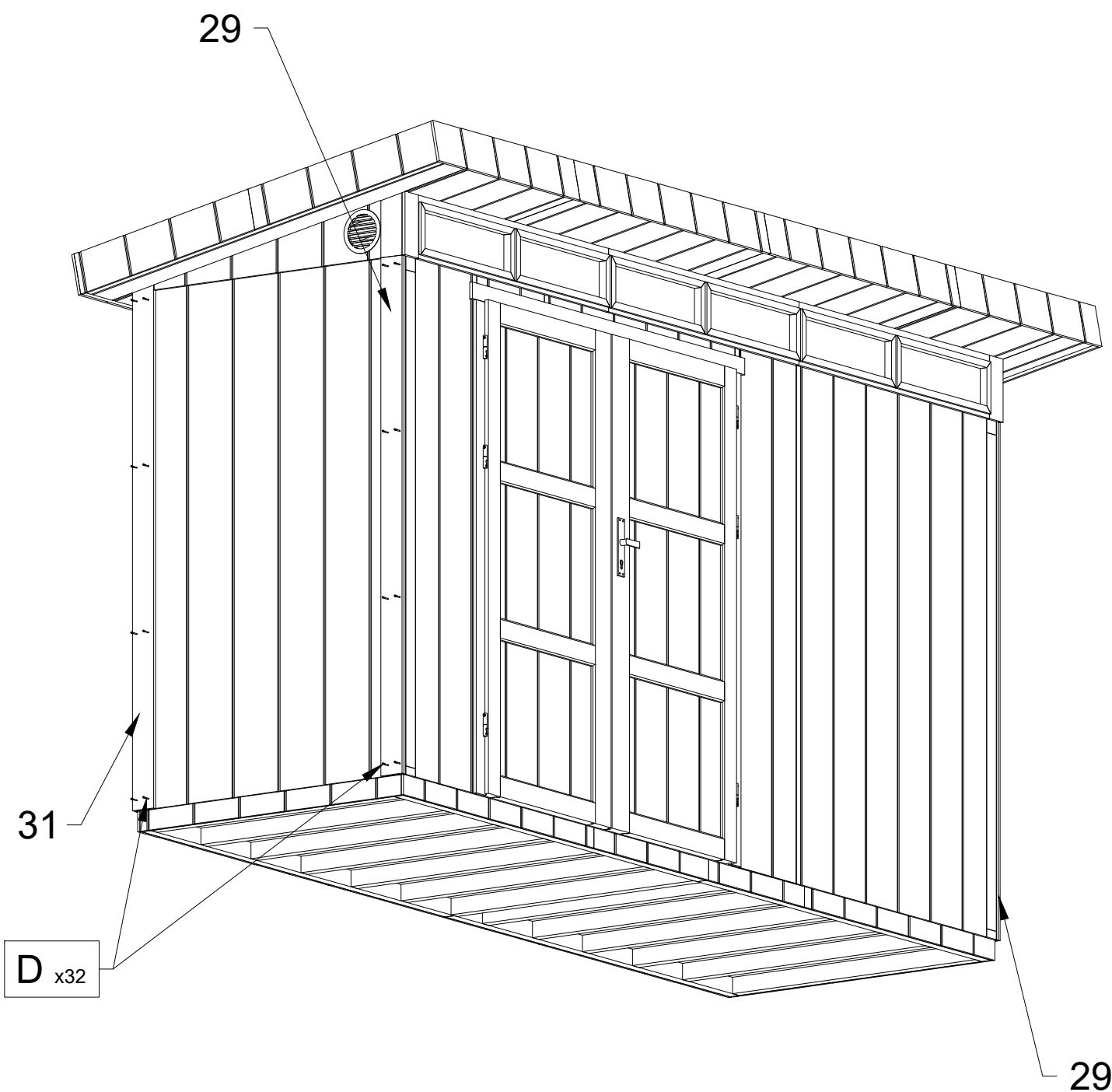


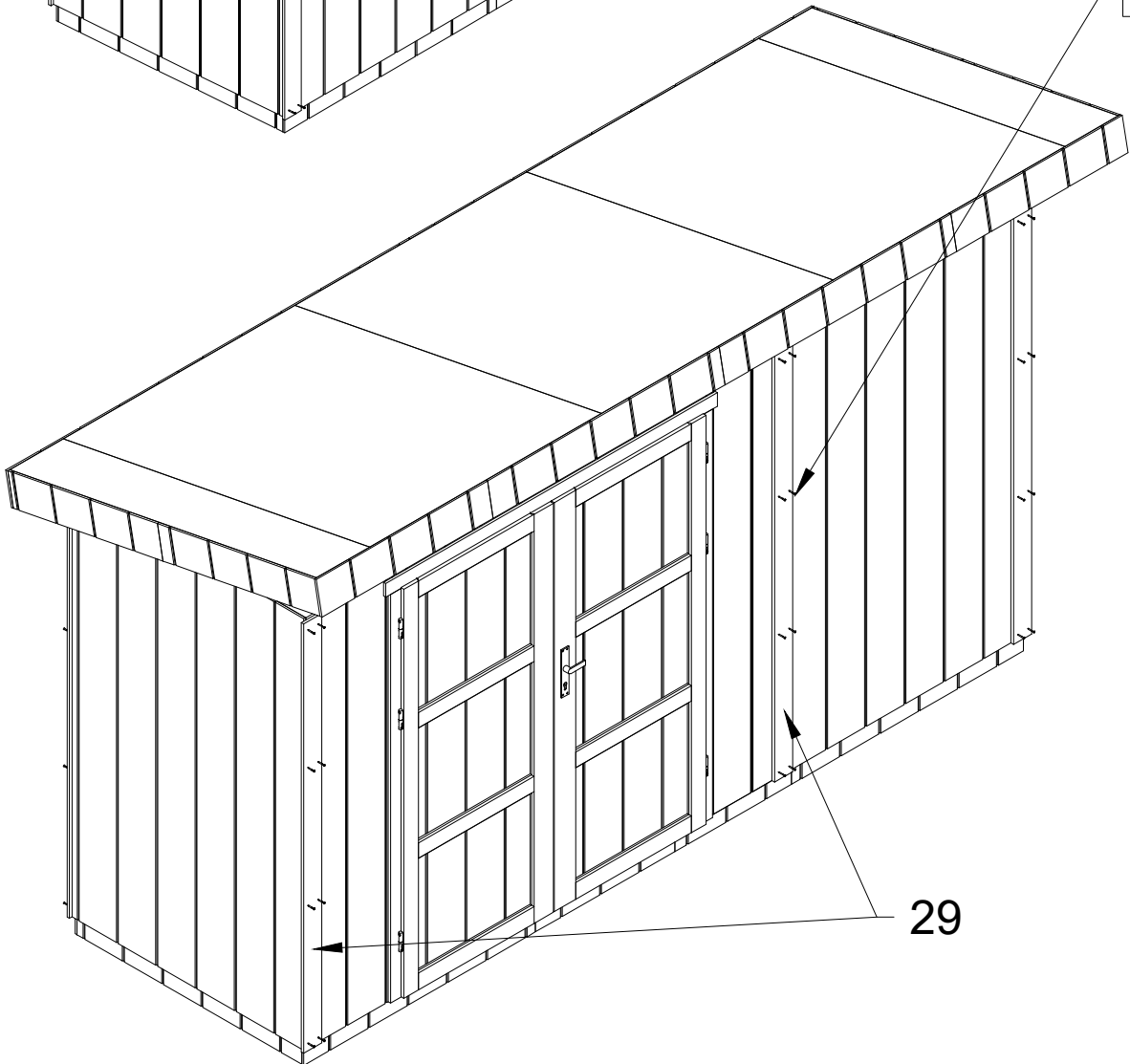
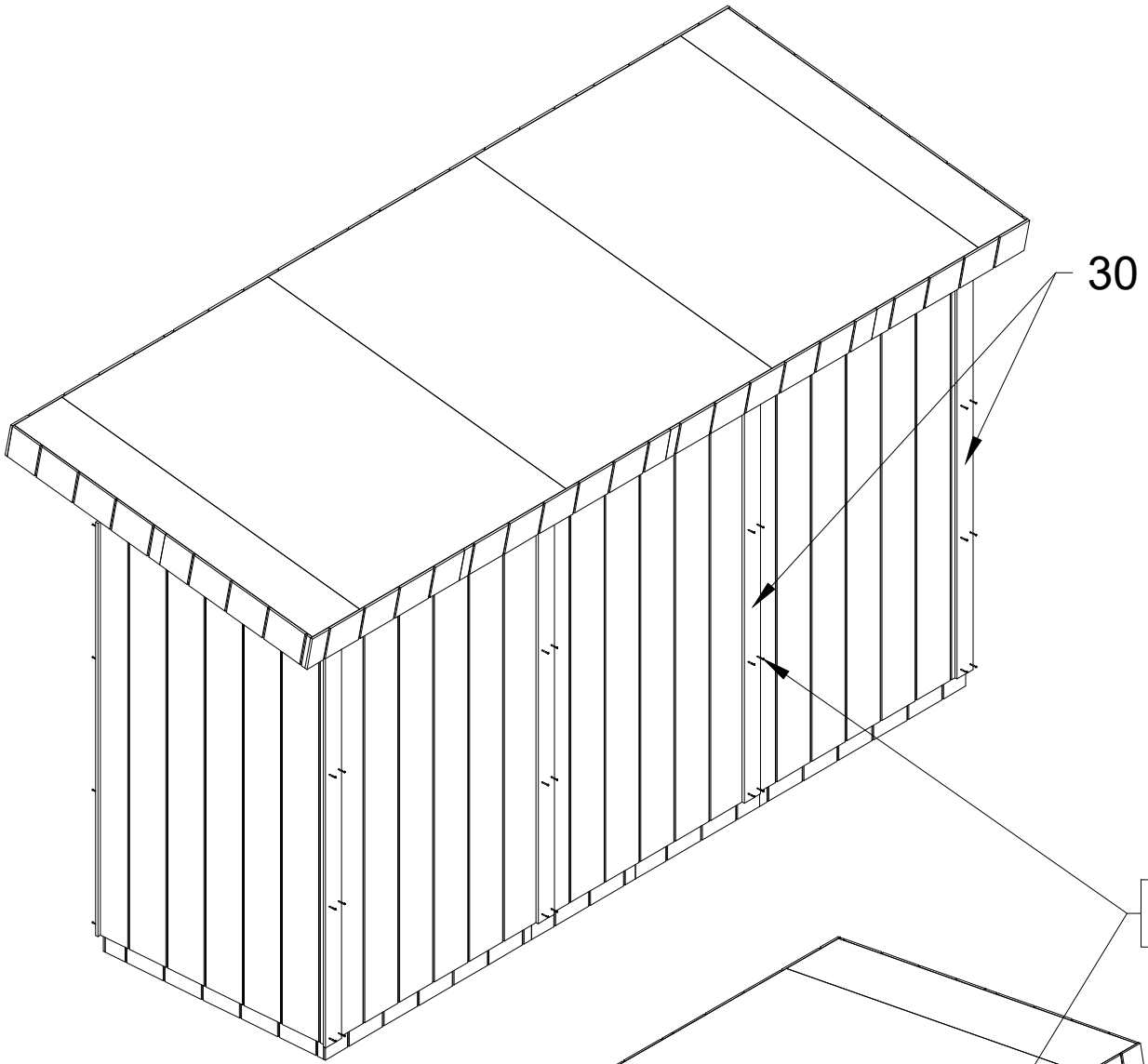
42

Int.

Ø12







36

K x15

45

Bitum

