

LOT55555



M 902

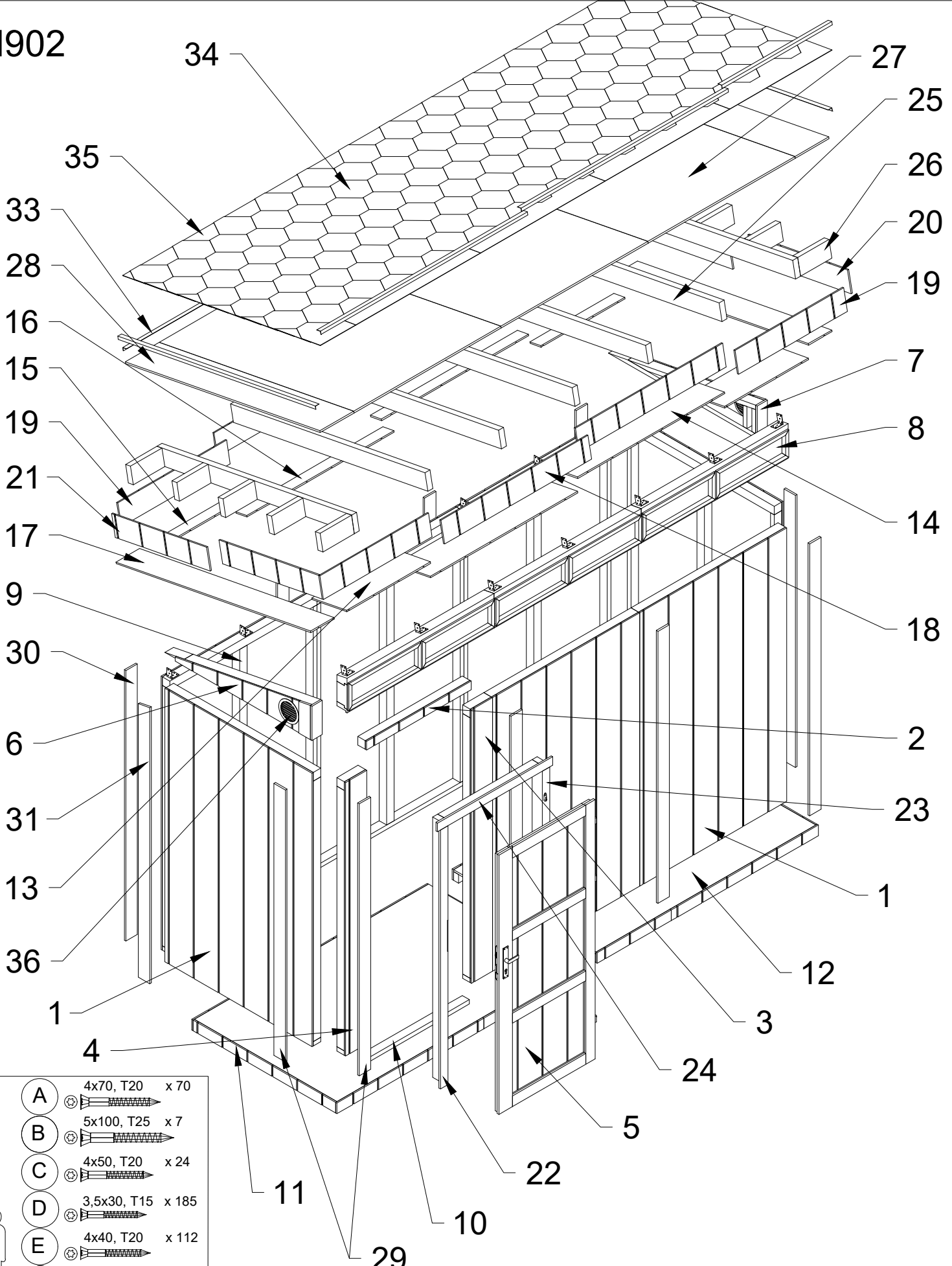
LP[®] SMARTSIDE[®] SHED



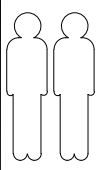
www.timbela.com

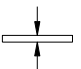
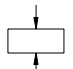
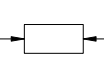
sale@timbela.com

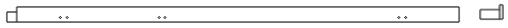
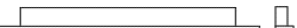







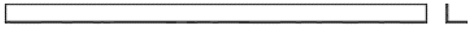
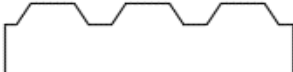
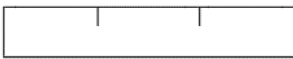





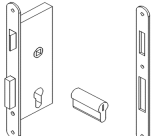






M902



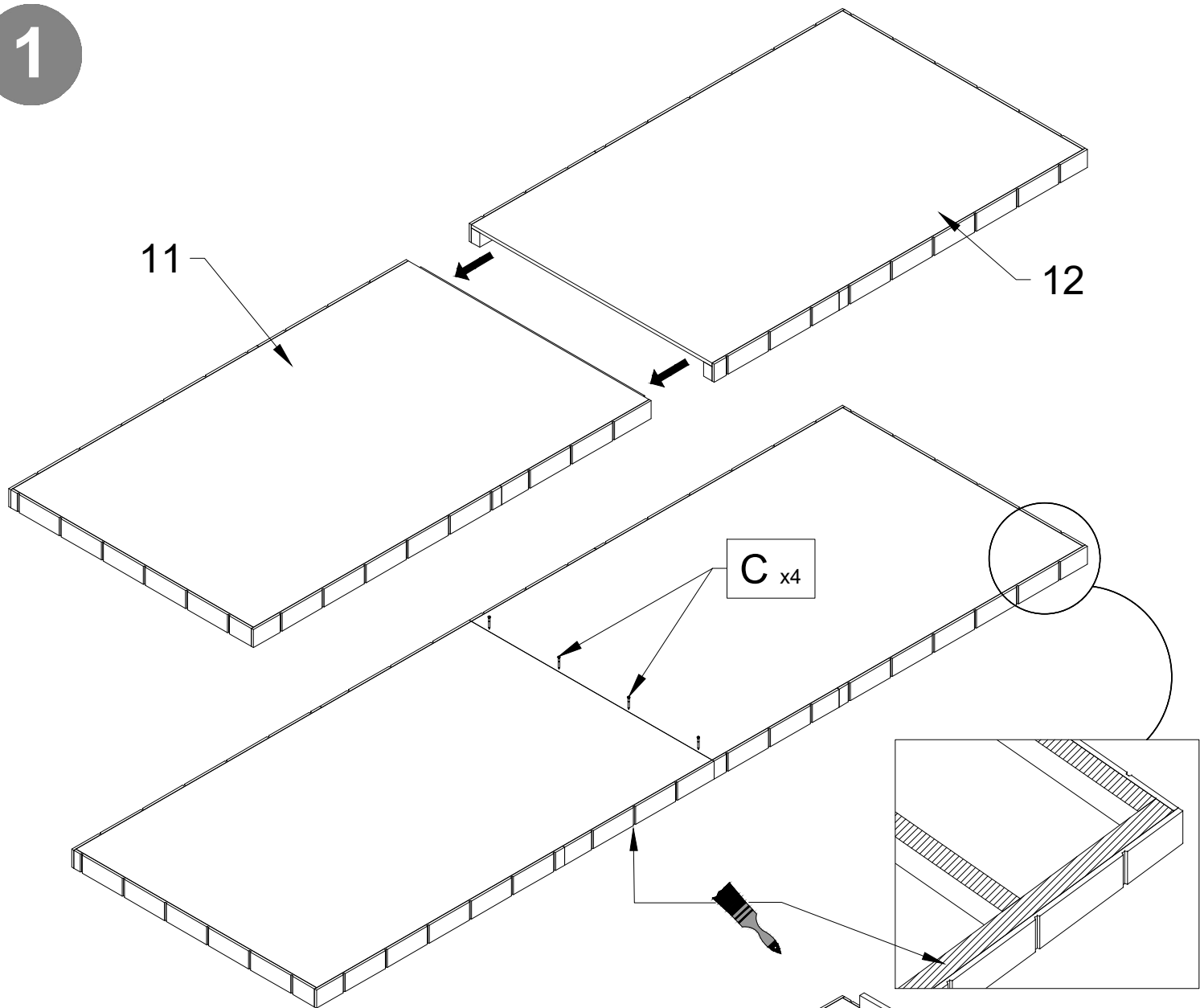
- A 4x70, T20 x 70
- B 5x100, T25 x 7
- C 4x50, T20 x 24
- D 3,5x30, T15 x 185
- E 4x40, T20 x 112
- F 4x60, T20 x 40
- G 3x12 x 6
- H 2,5x50 x 164
- J 4x30 x 5
- K 3,1x15 x 3 pack



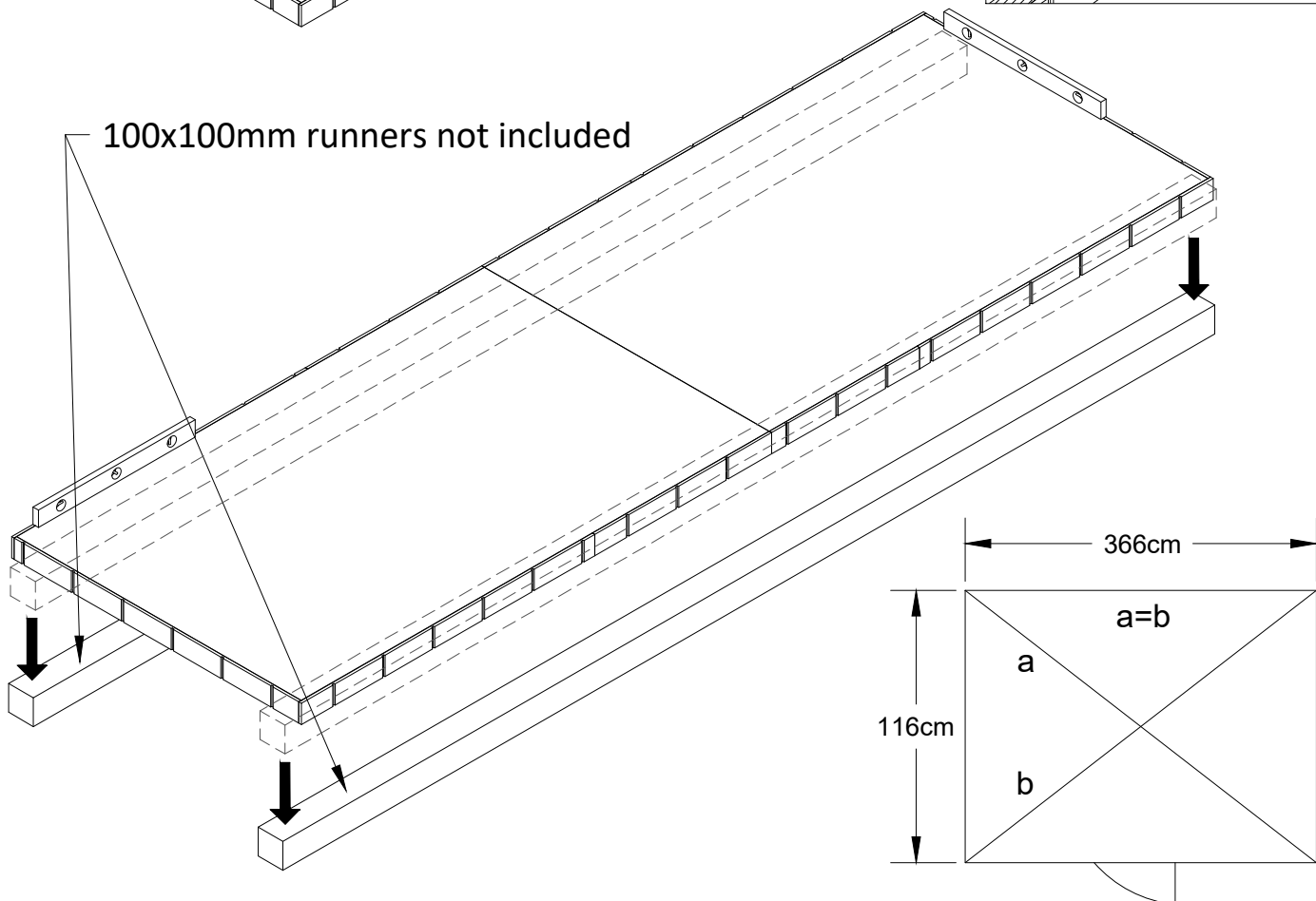
№	PCS			
		mm	mm	mm
1	7		1180	1900
2	1		60	839
3	1		170	1900
4	1		170	1900
5	1		772	1801
6	1		238	1193
7	1		238	1193
8	3		240	1180
9	7	60	60	1810
10	1	30	57	839
11	1		1164	1910
12	1		1164	1774
13	2	10	284	673
14	2	10	284	1180
15	2	10	89	673
16	2	10	89	1180
17	2	10	189	1590
18	4	10	154	1180
19	4	10	154	872
20	2	10	154	814
21	2	10	154	776
22	1	60	82	1839

23		1	60	82	1839
24		1	60	82	925
25		7	40	120	1590
26		10	40	120	252
27		3	12	1180	1590
28		2	12	272	1590
29		6	13	92	1890
30		4	13	92	1885
31		2	13	92	1917
33		8			1660
34		3 pack			
35		5			1000
36		2			
37		4			
38		14			
39		3			
39.1		3			
40		1			
40.1		1			
41		1			
42		1			
43		1	T25		
44		1	T20		
45		1	T15		

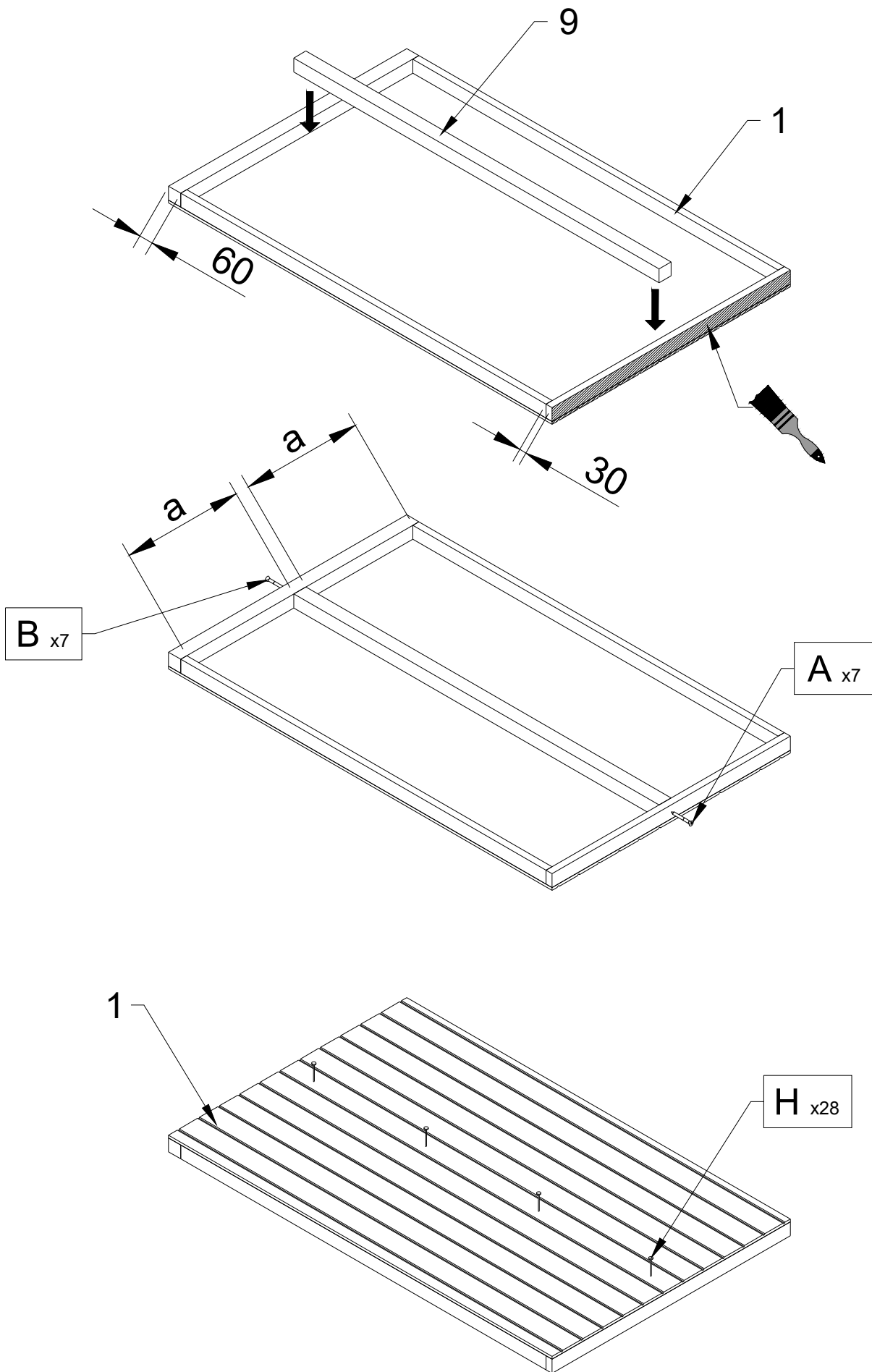
1



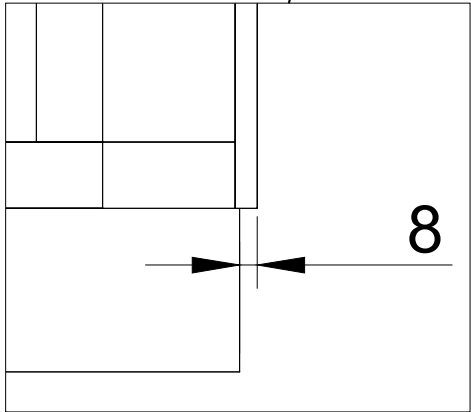
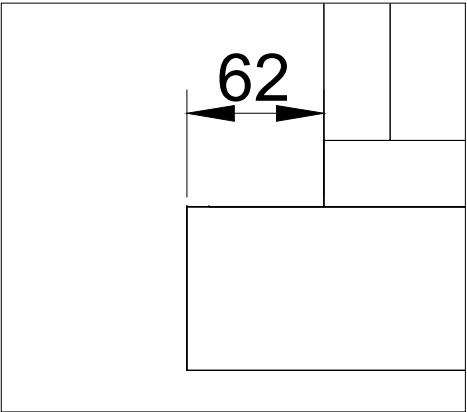
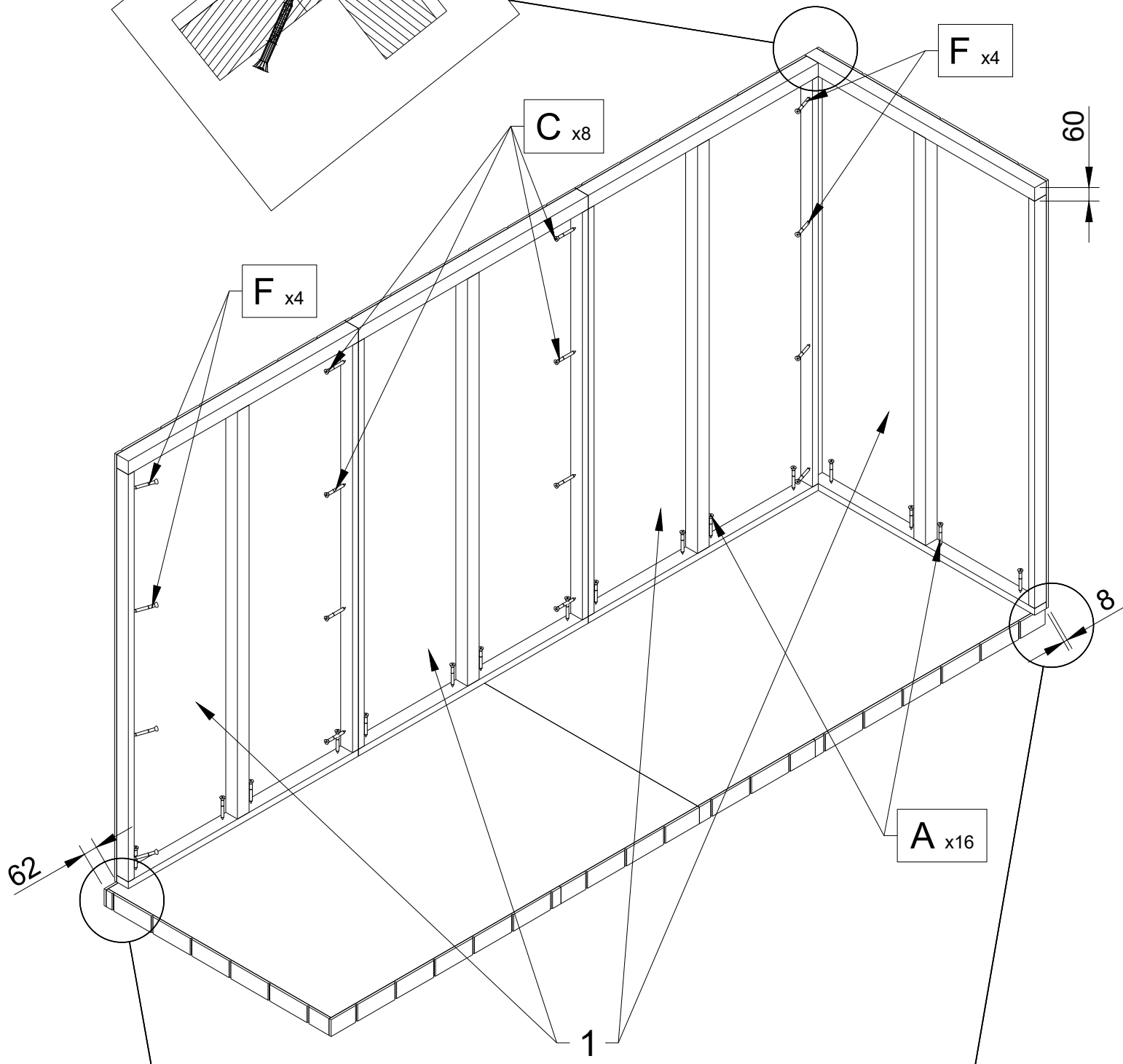
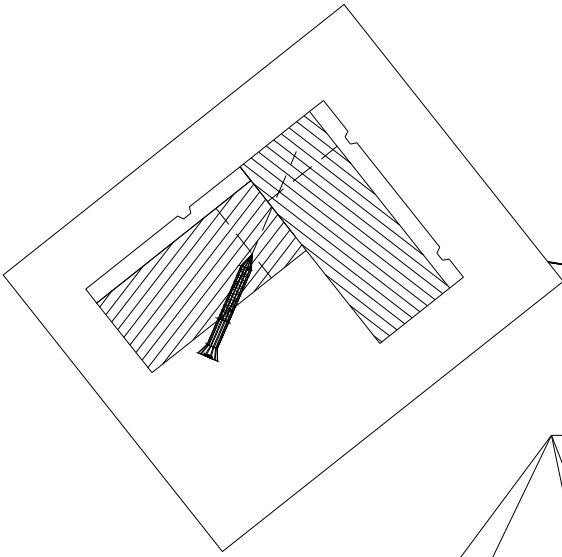
100x100mm runners not included



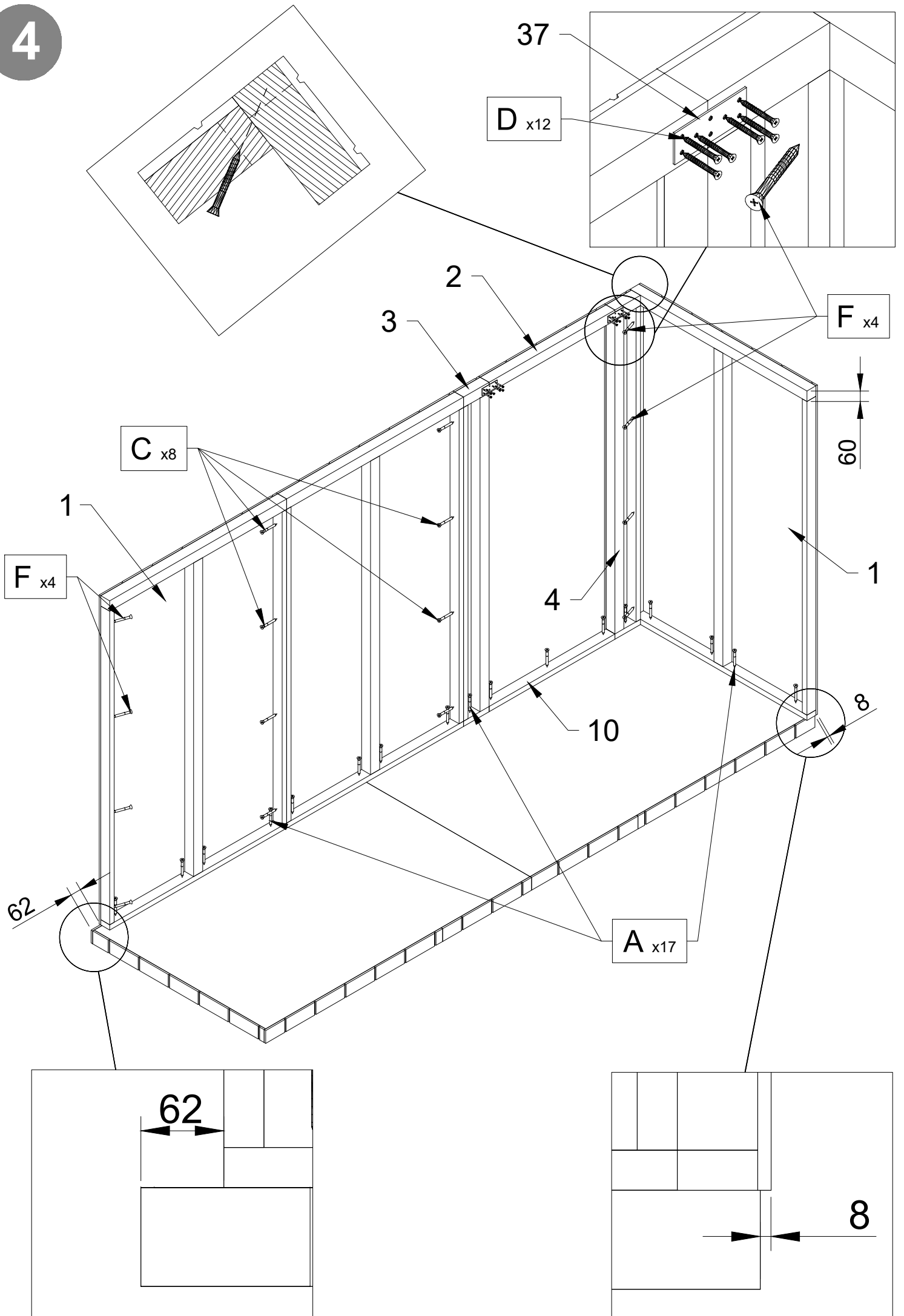
2



3

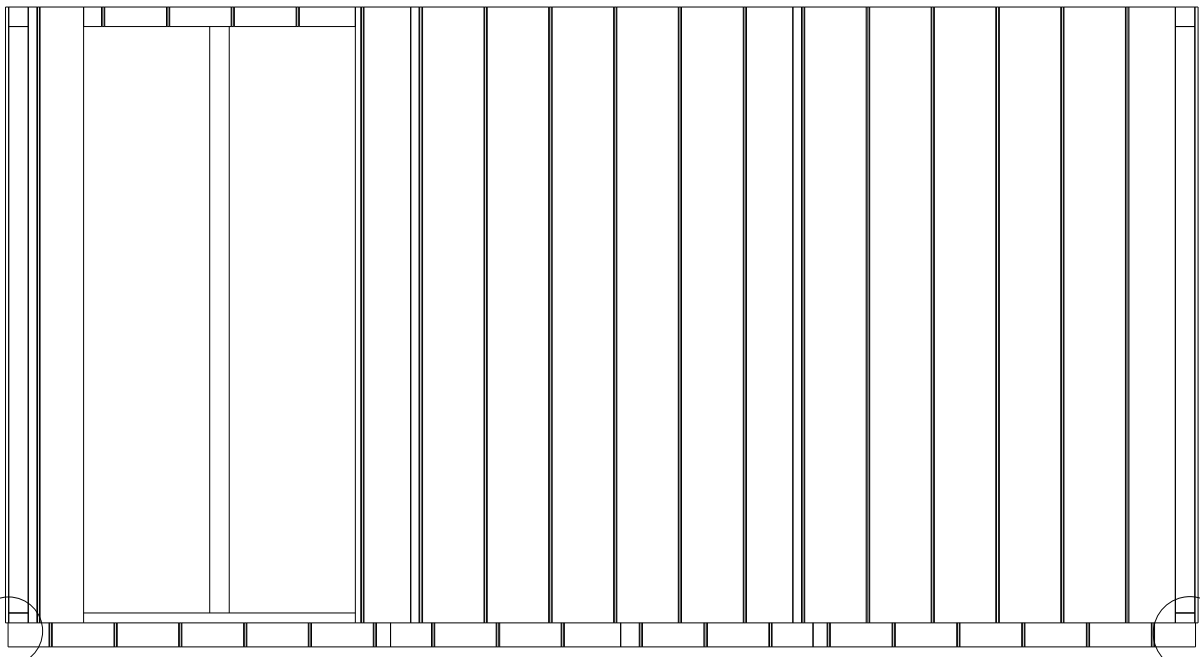
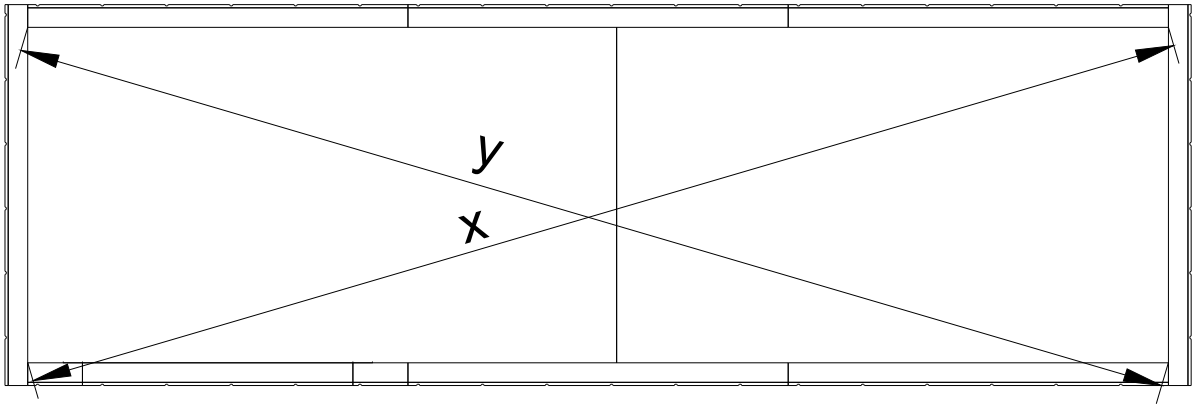


4



5

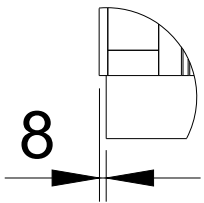
$$x=y$$



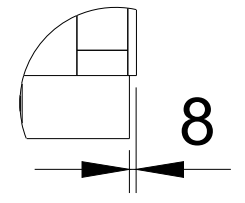
A

B

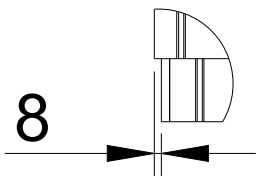
Det A



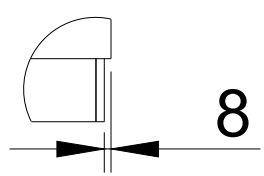
Det B



Det C



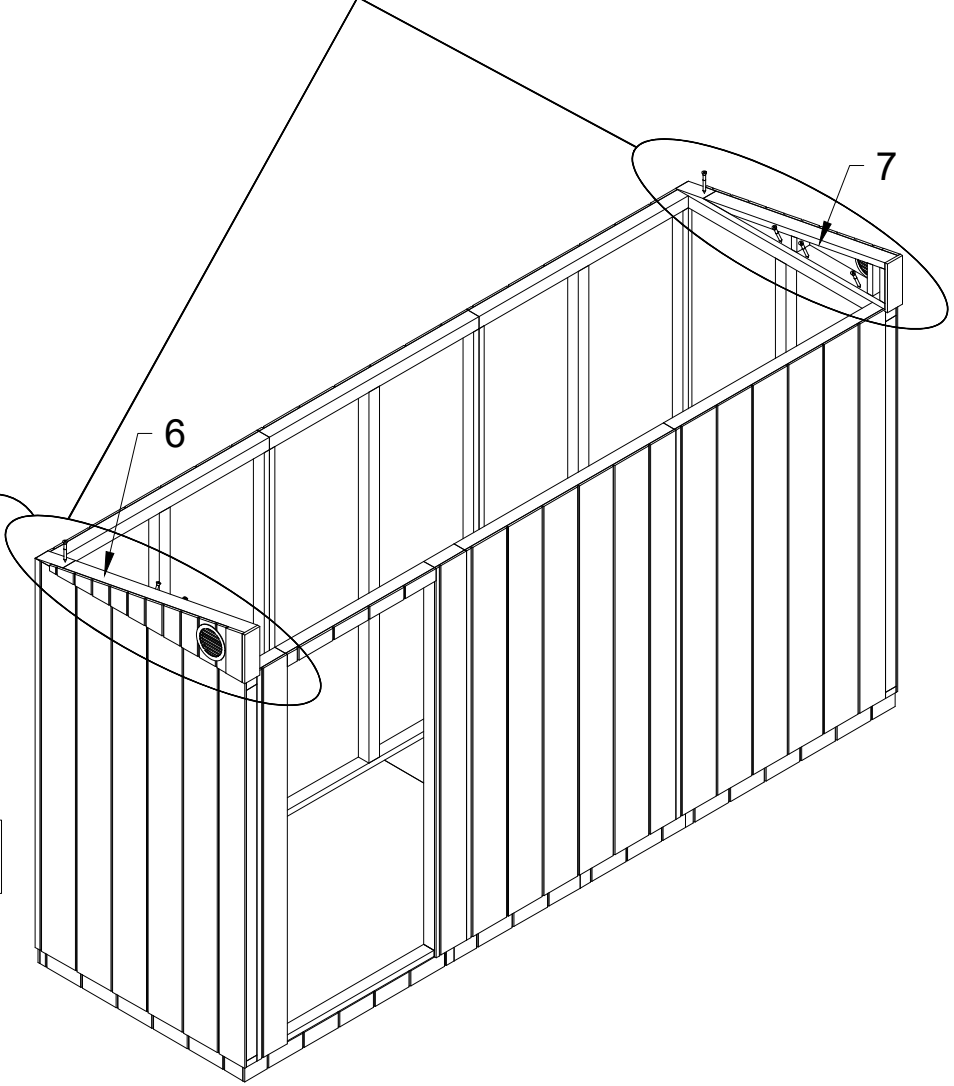
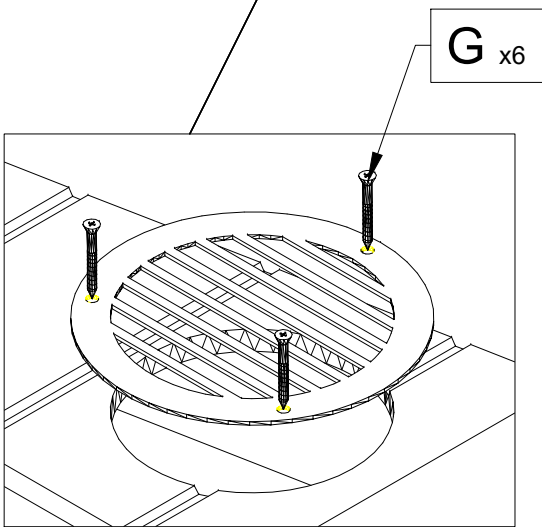
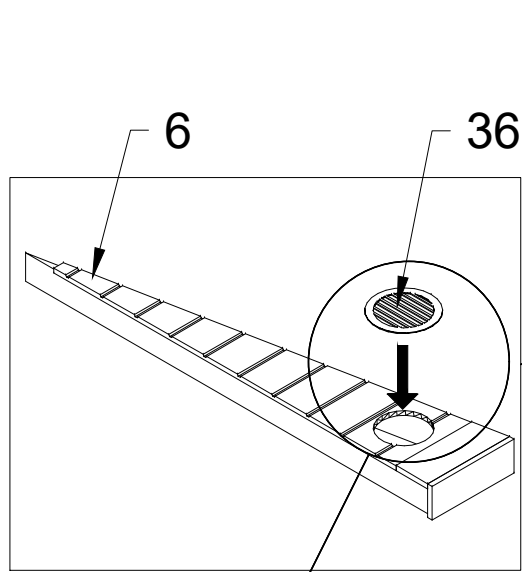
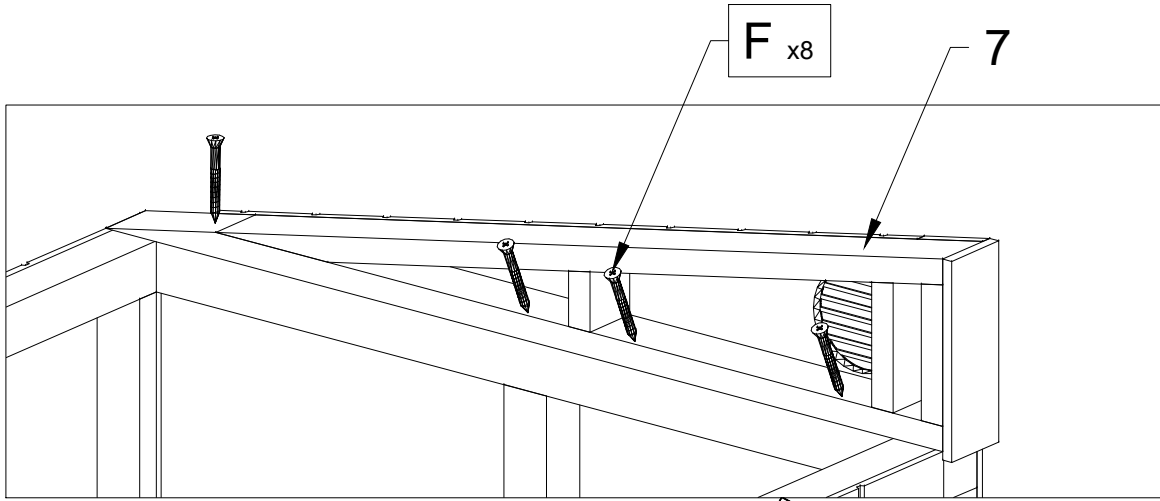
Det D



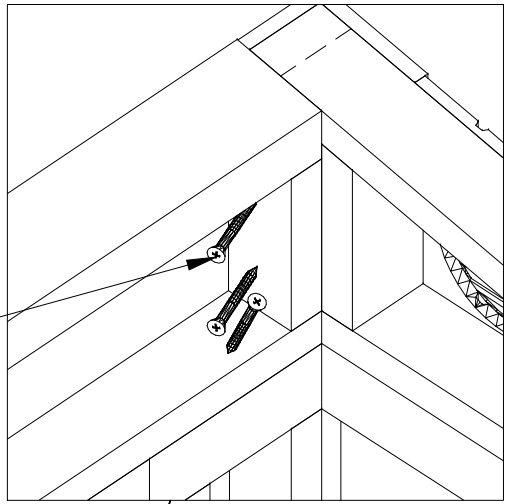
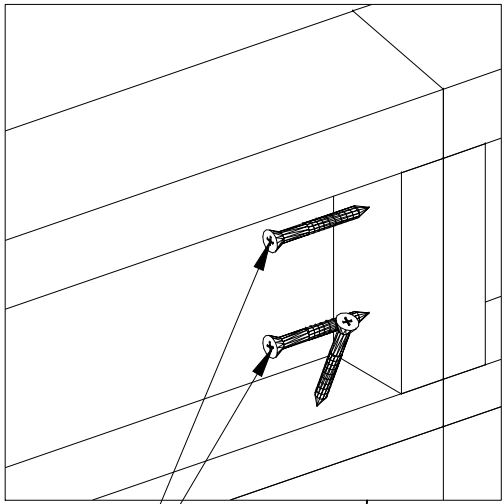
C

D

6



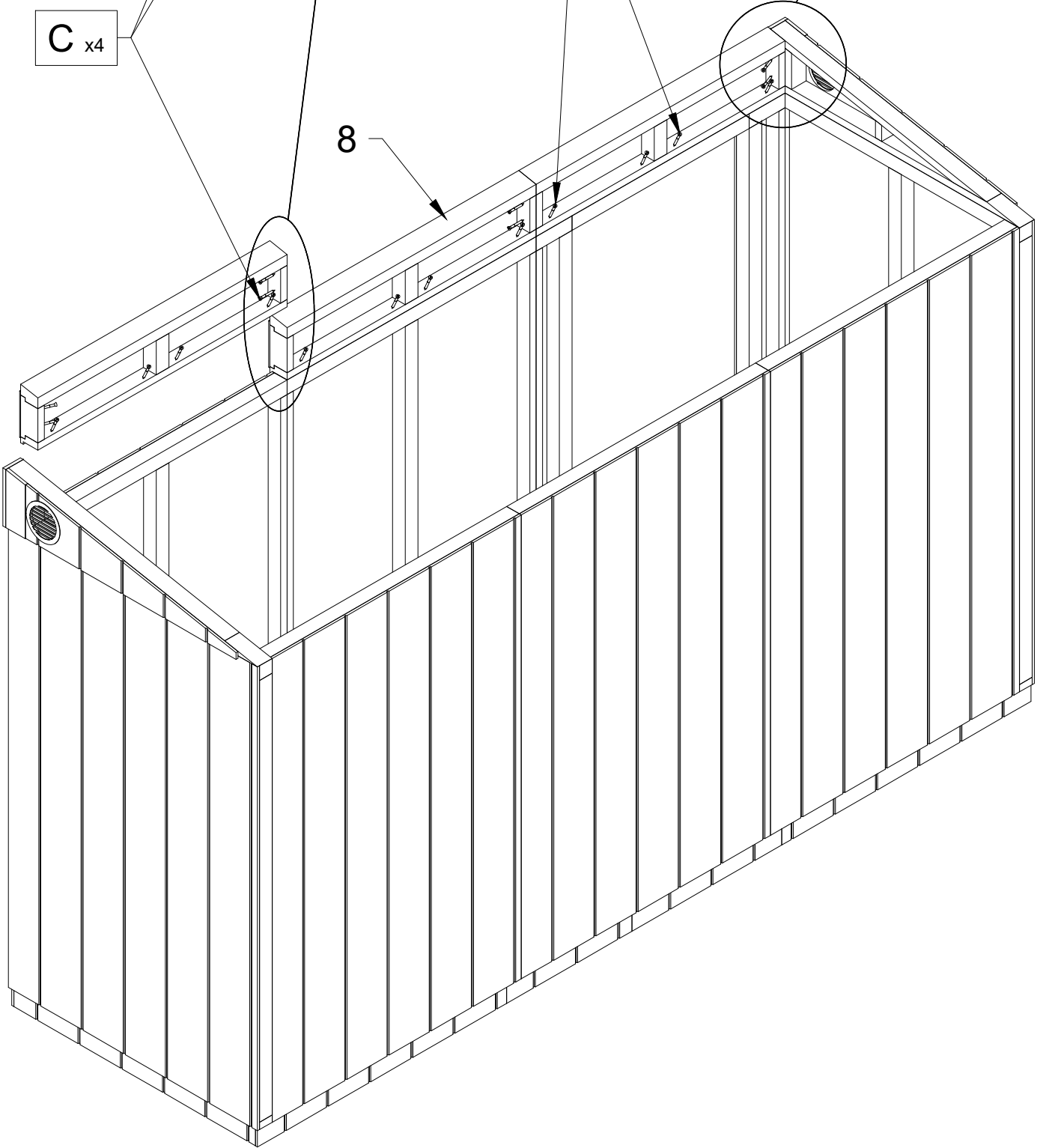
7



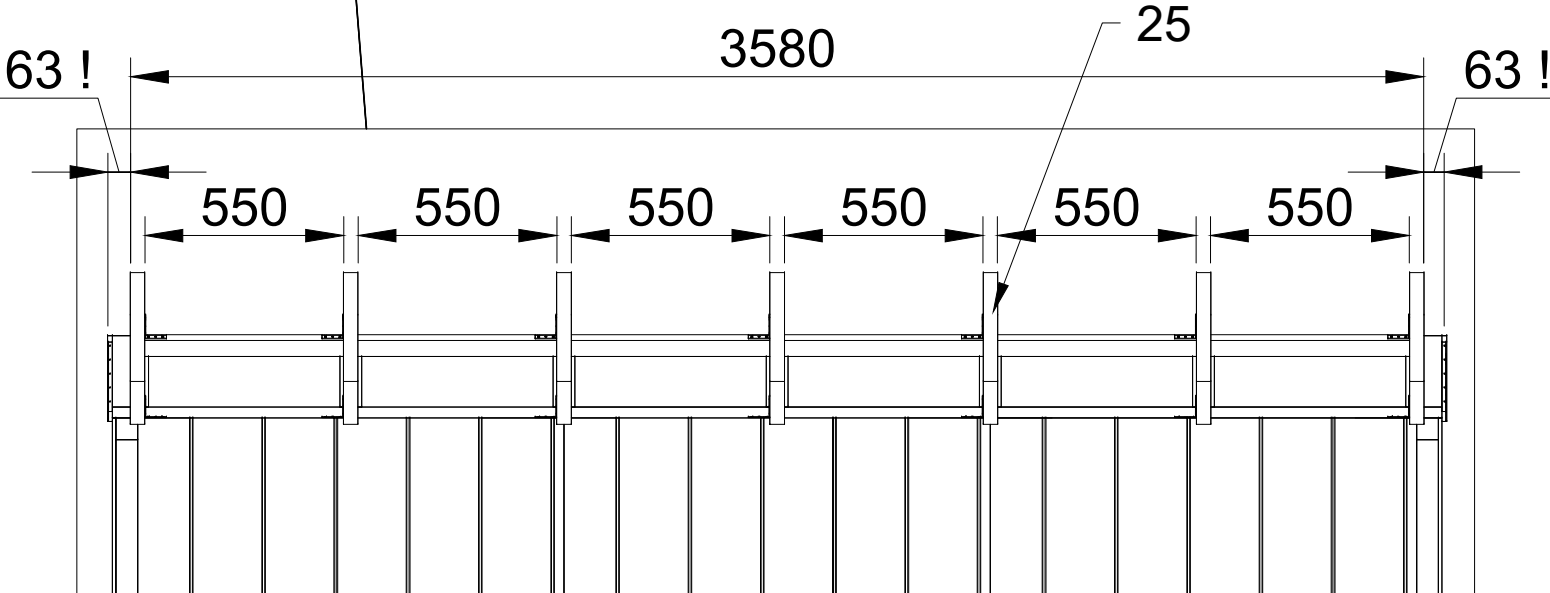
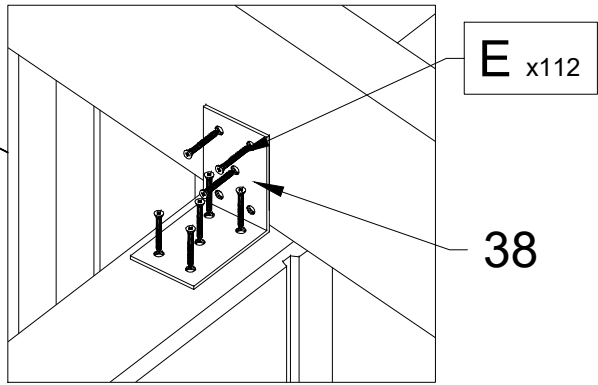
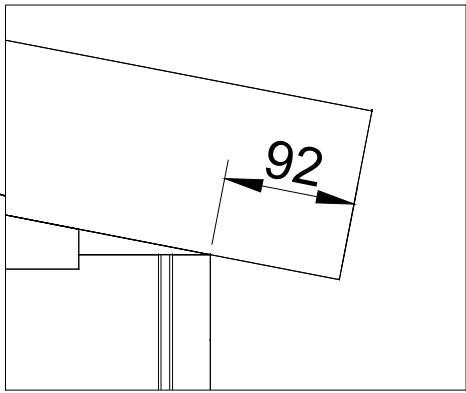
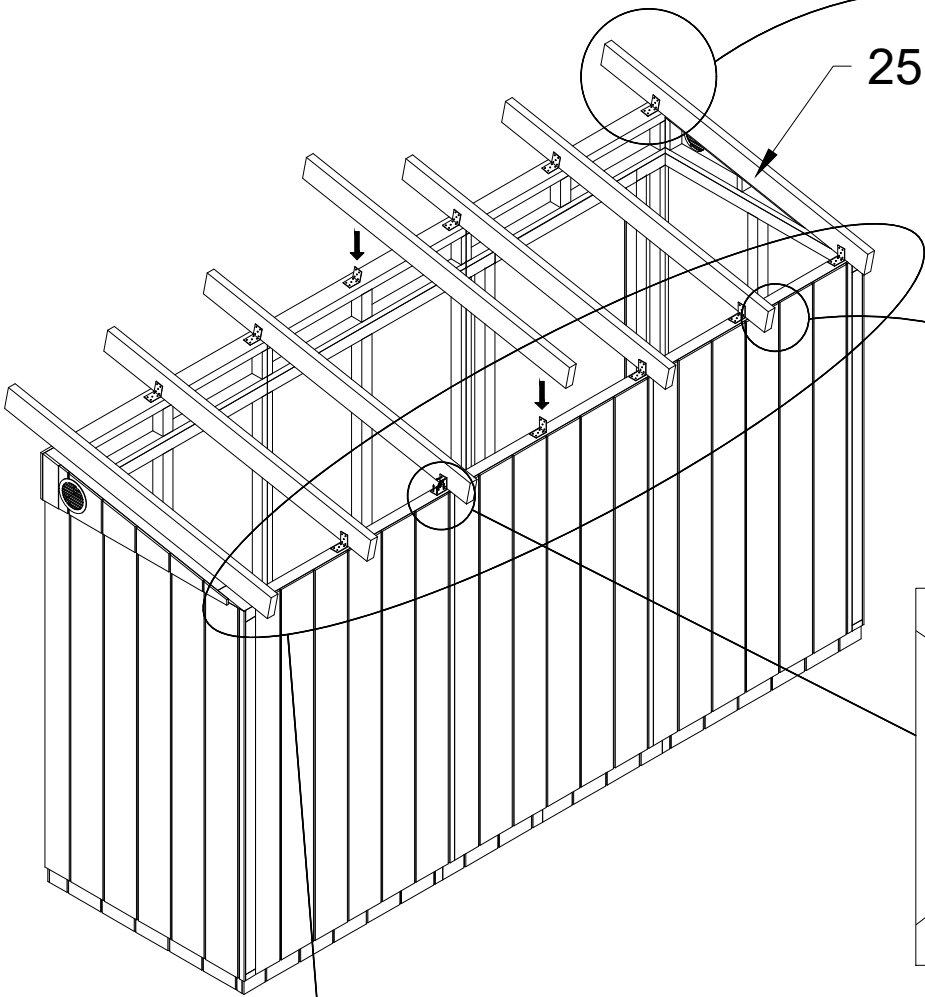
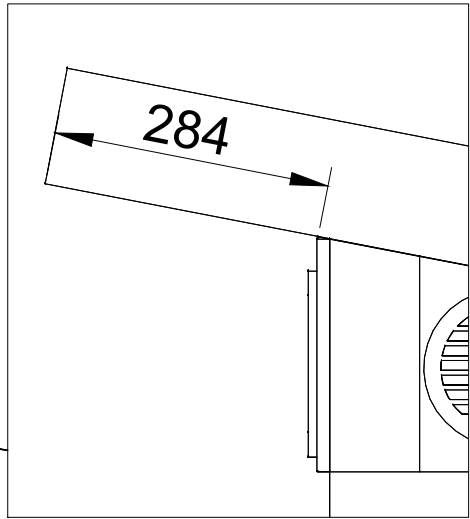
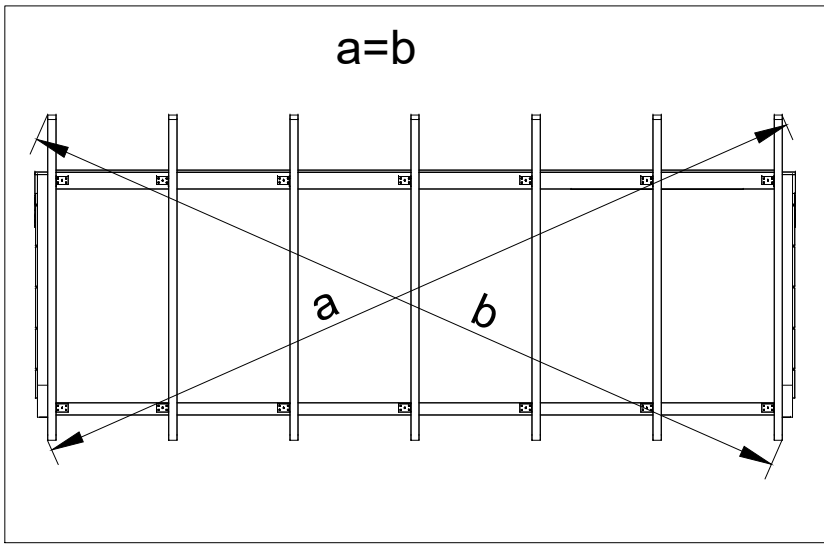
F x16

C x4

8



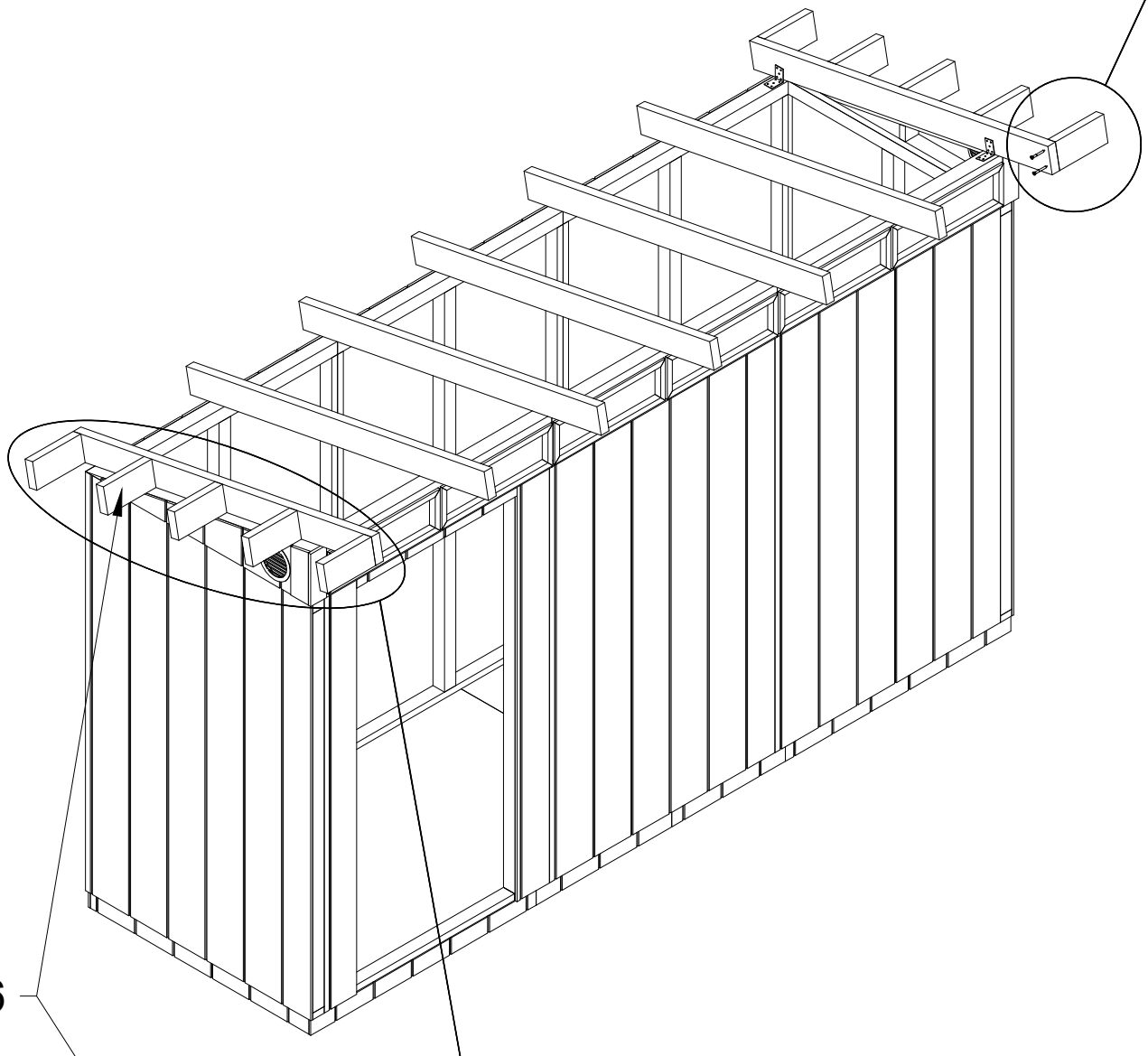
8



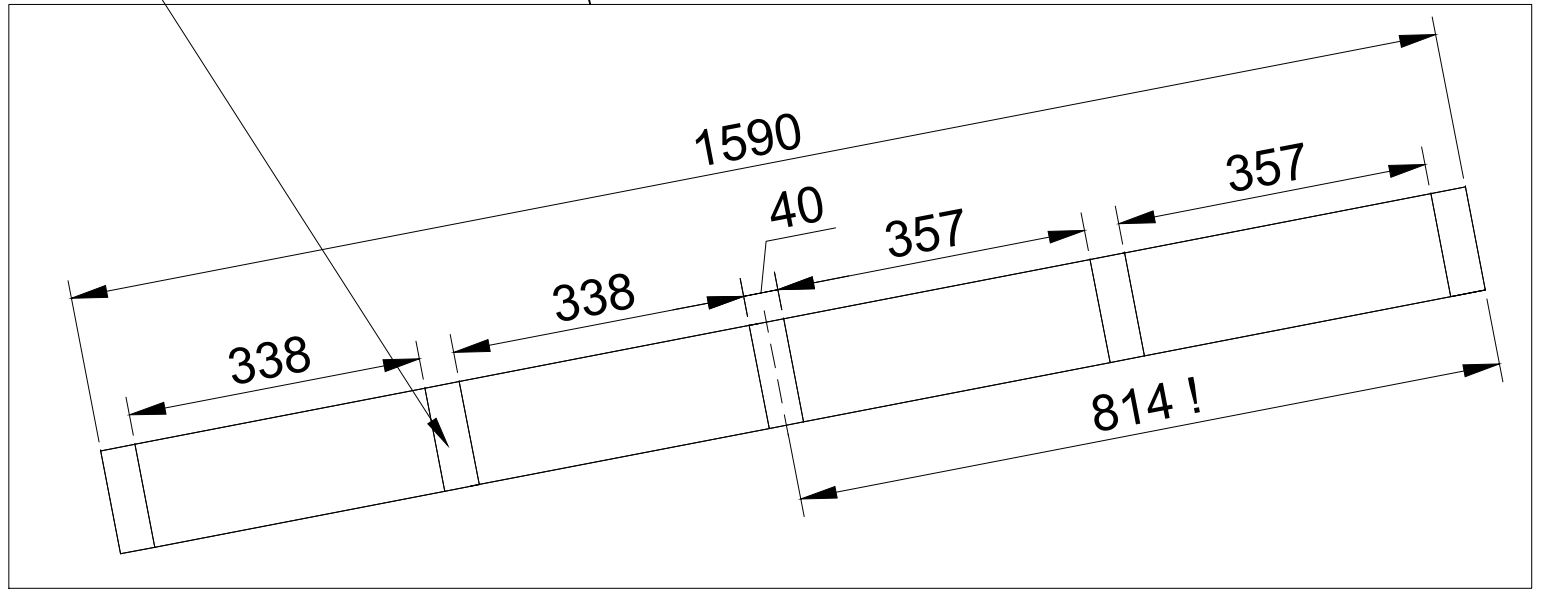
9

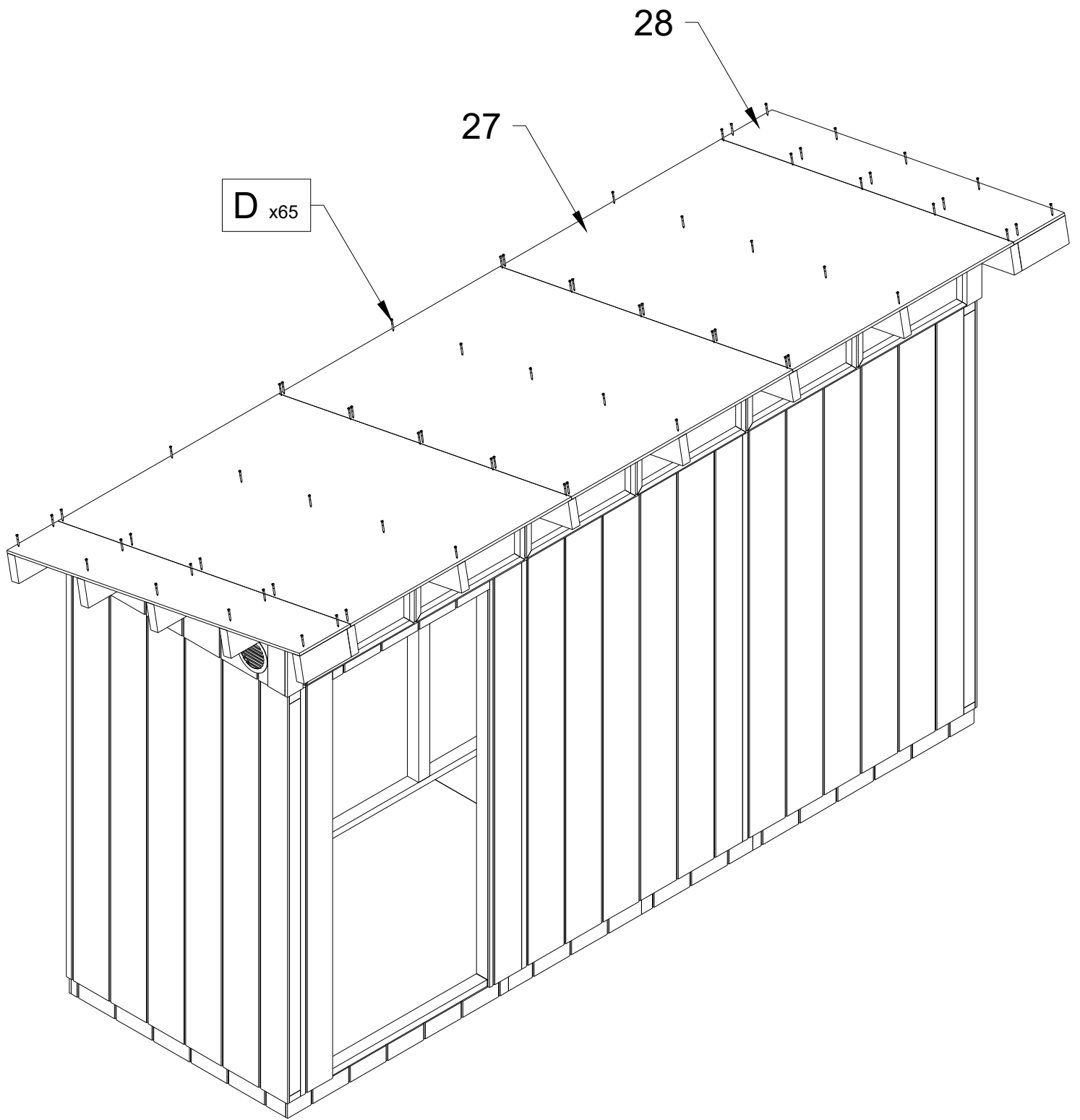
A x20

26

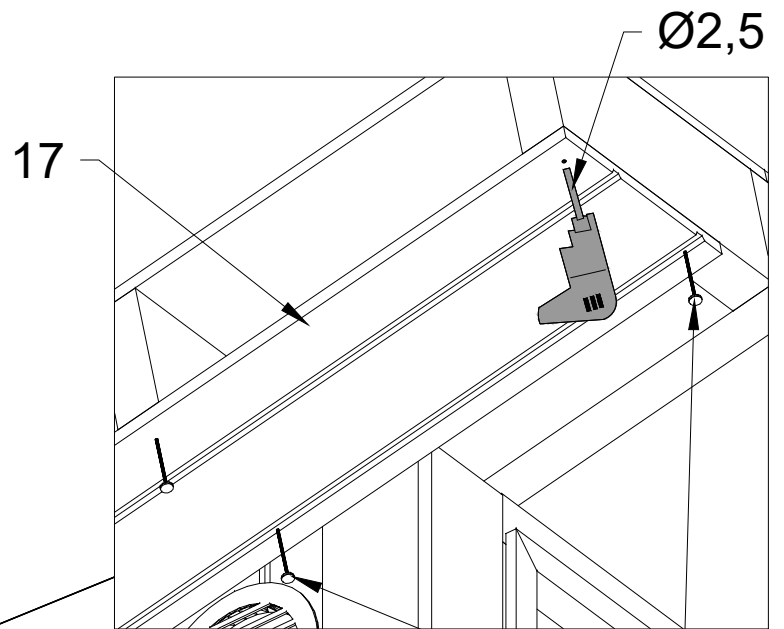


26

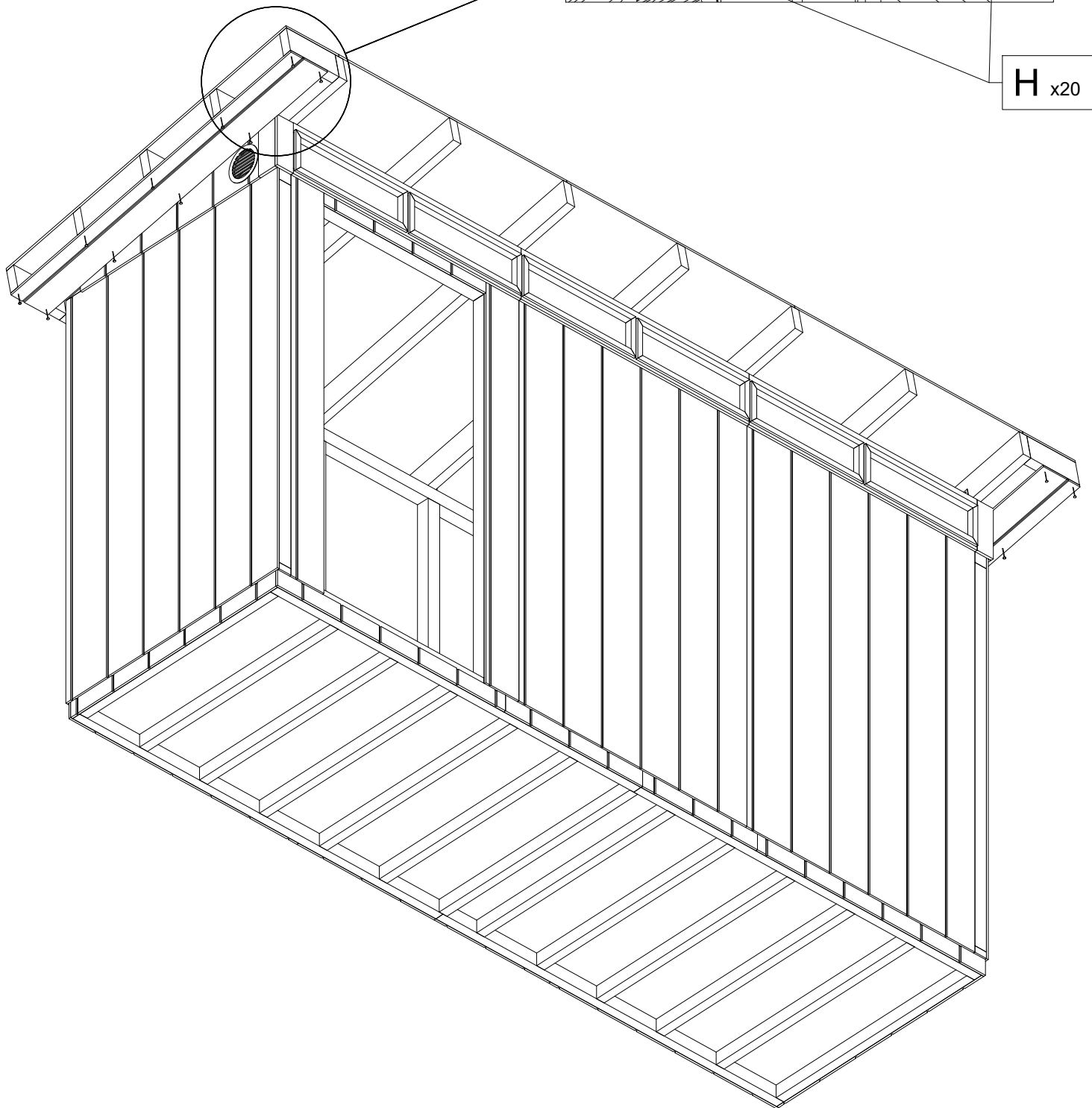




11



H x20

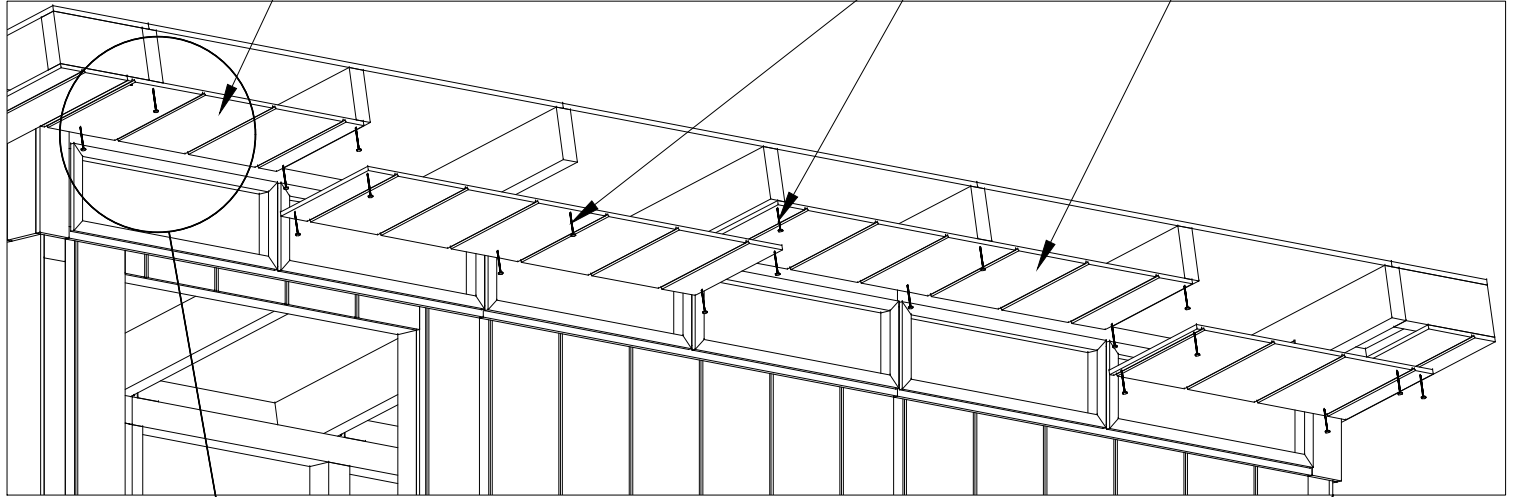


12

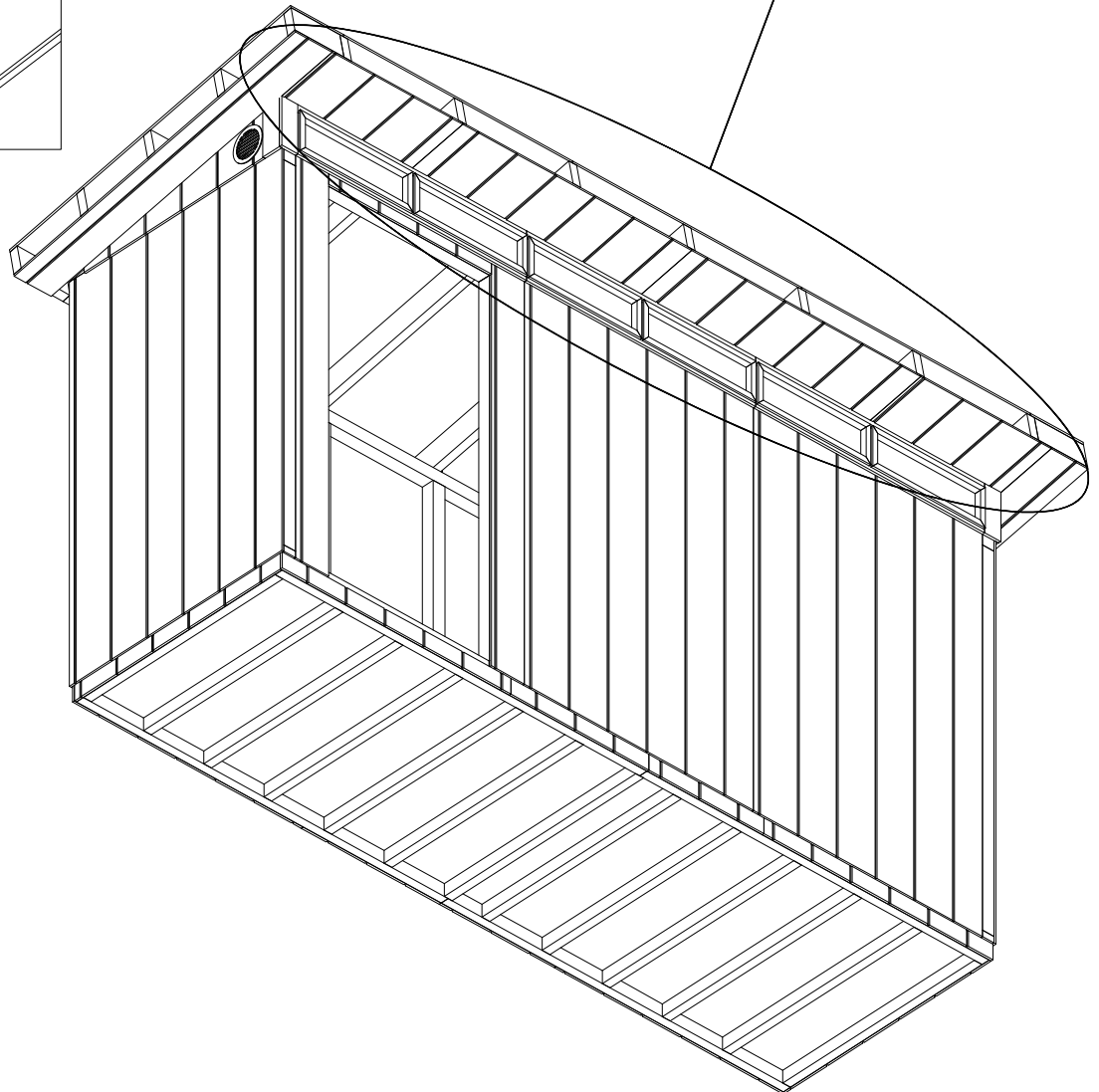
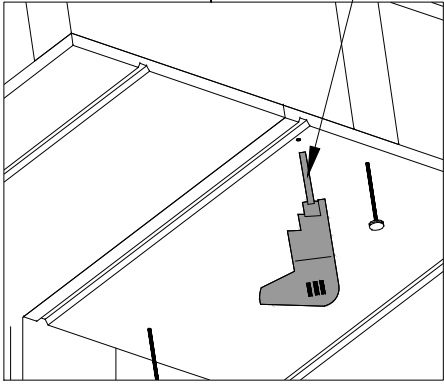
13

H x22

14



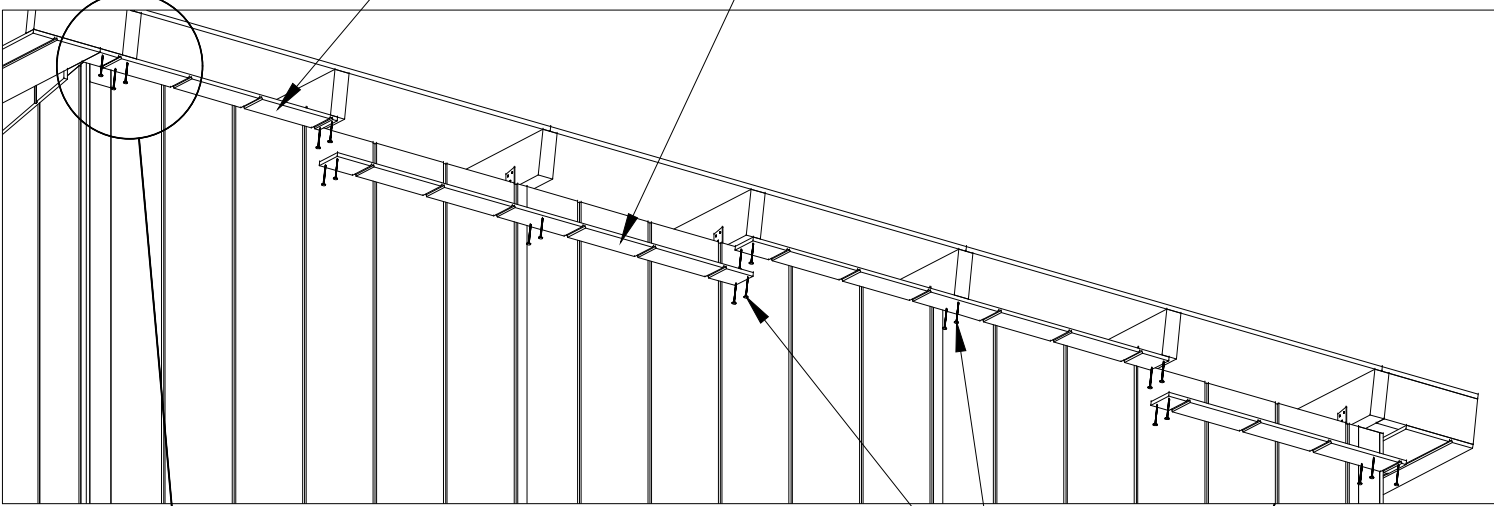
Ø2,5



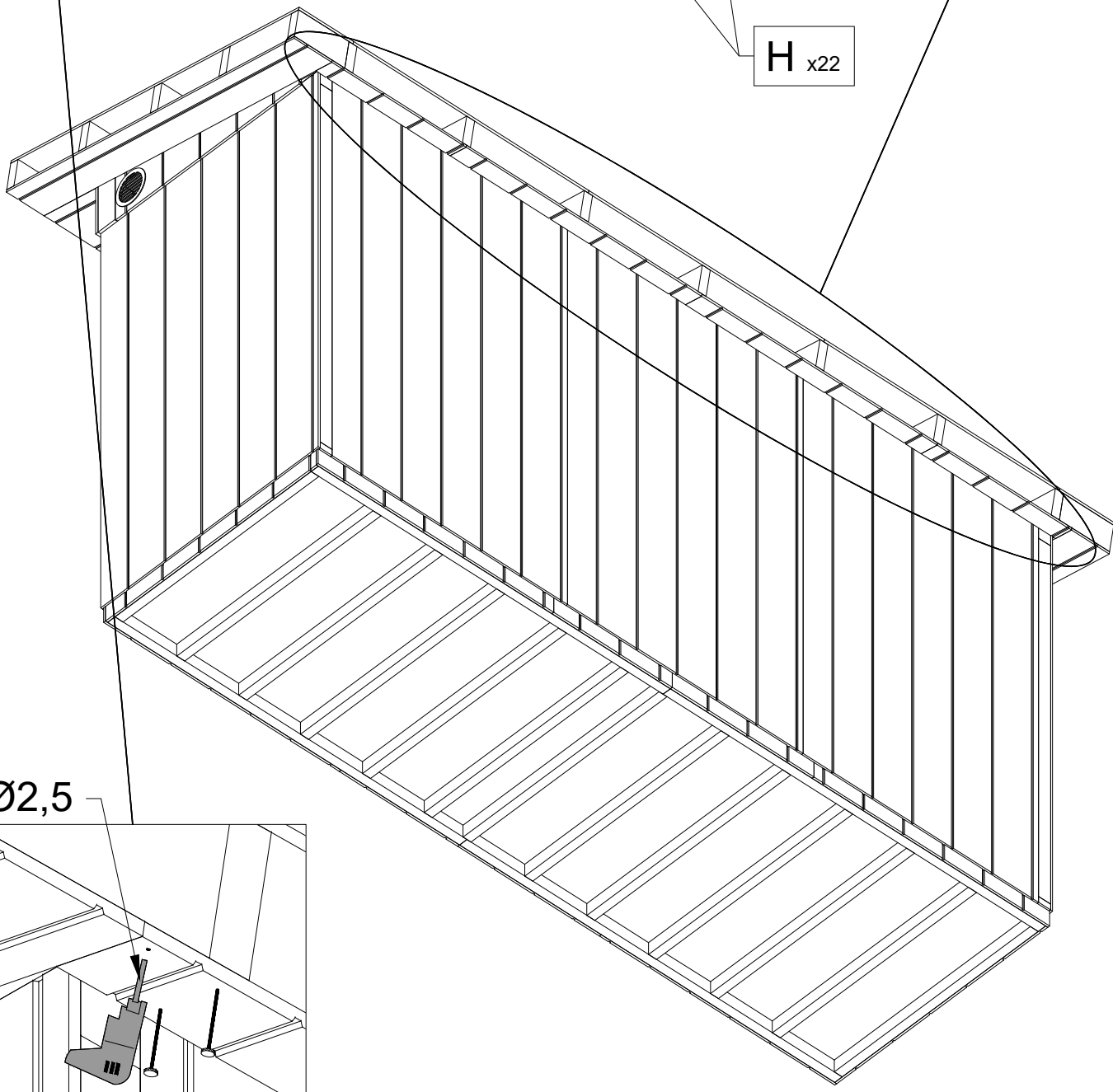
13

15

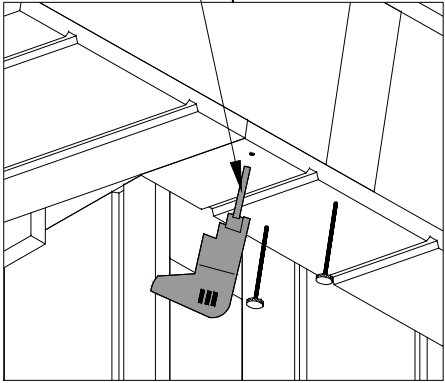
16



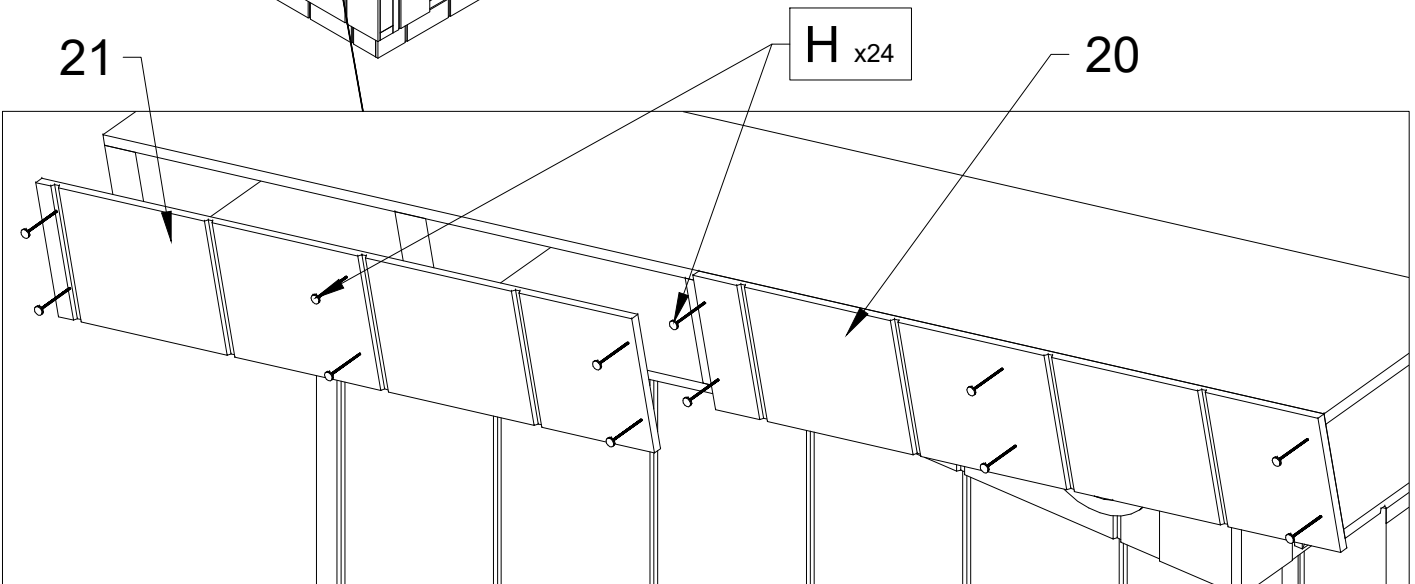
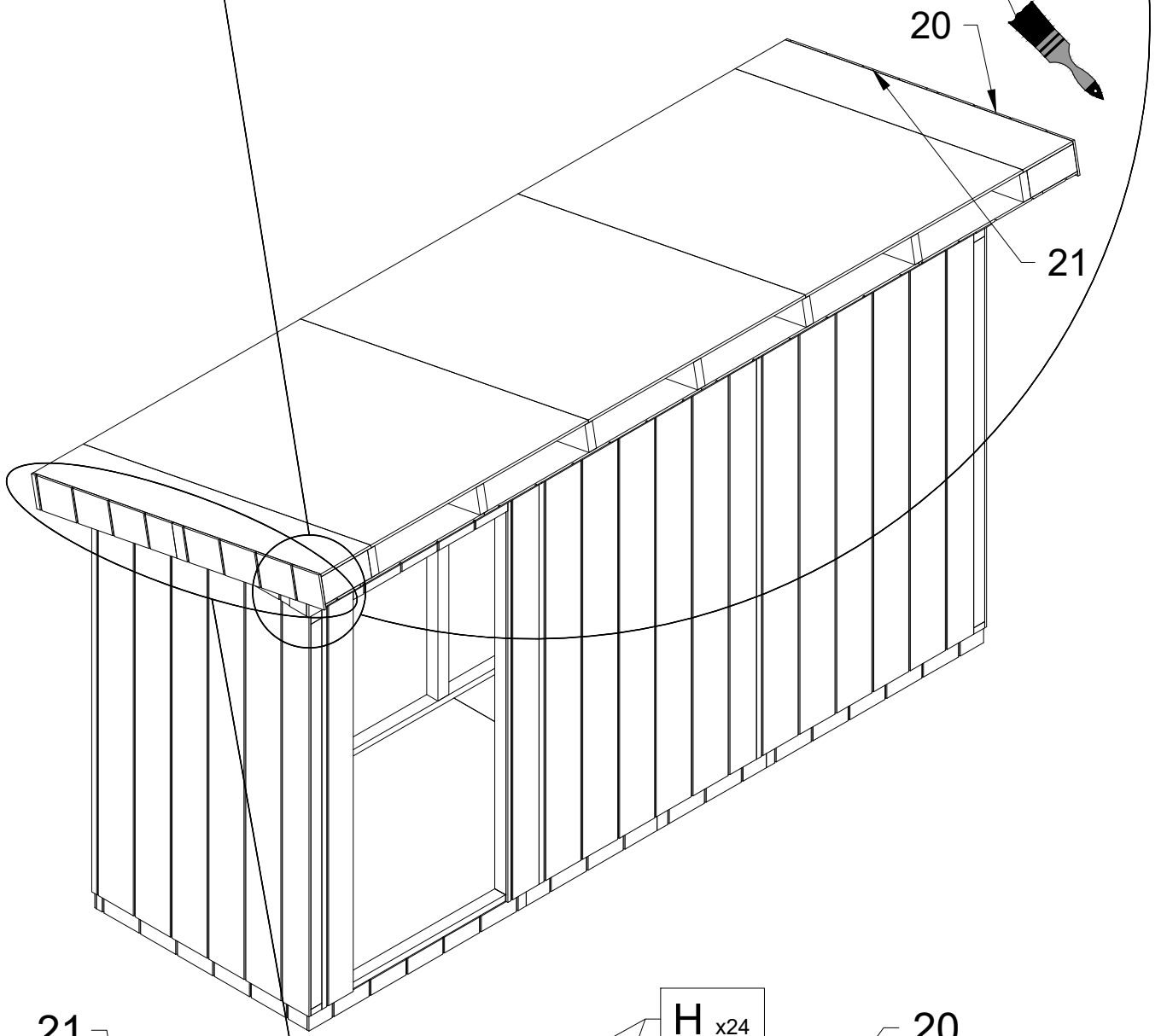
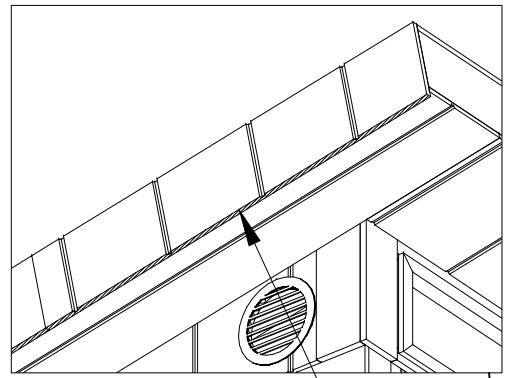
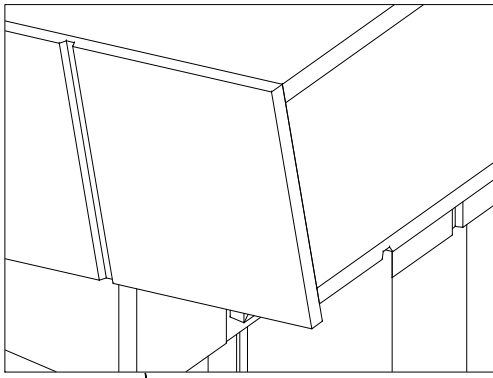
H x22



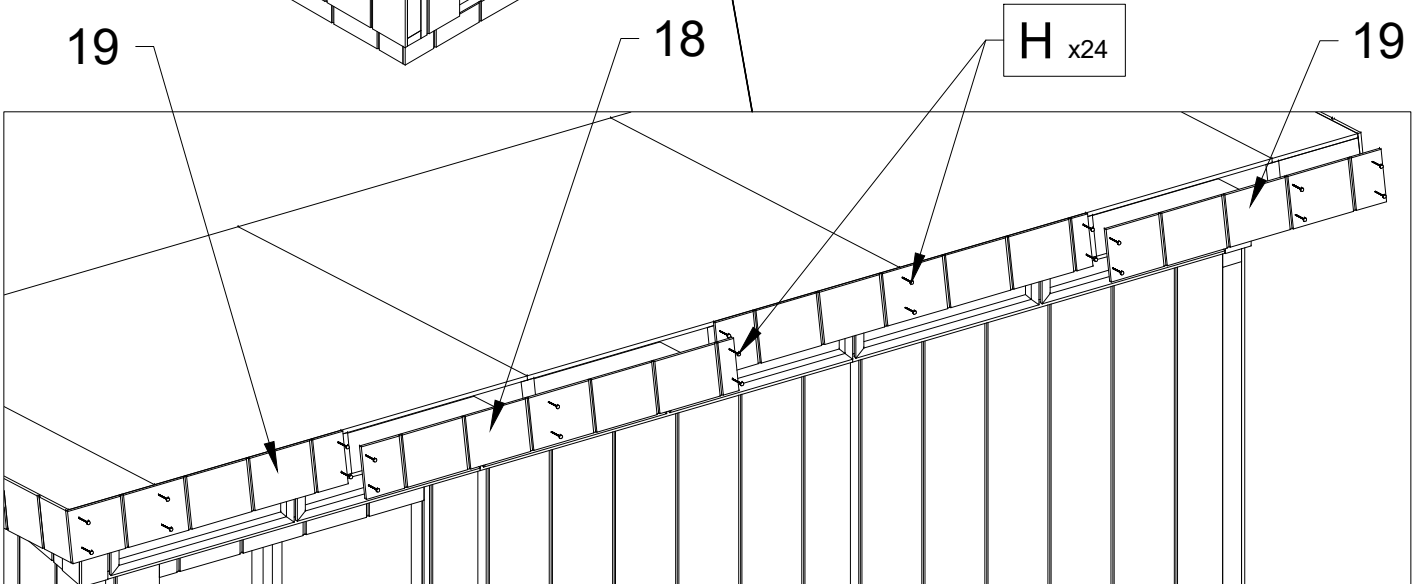
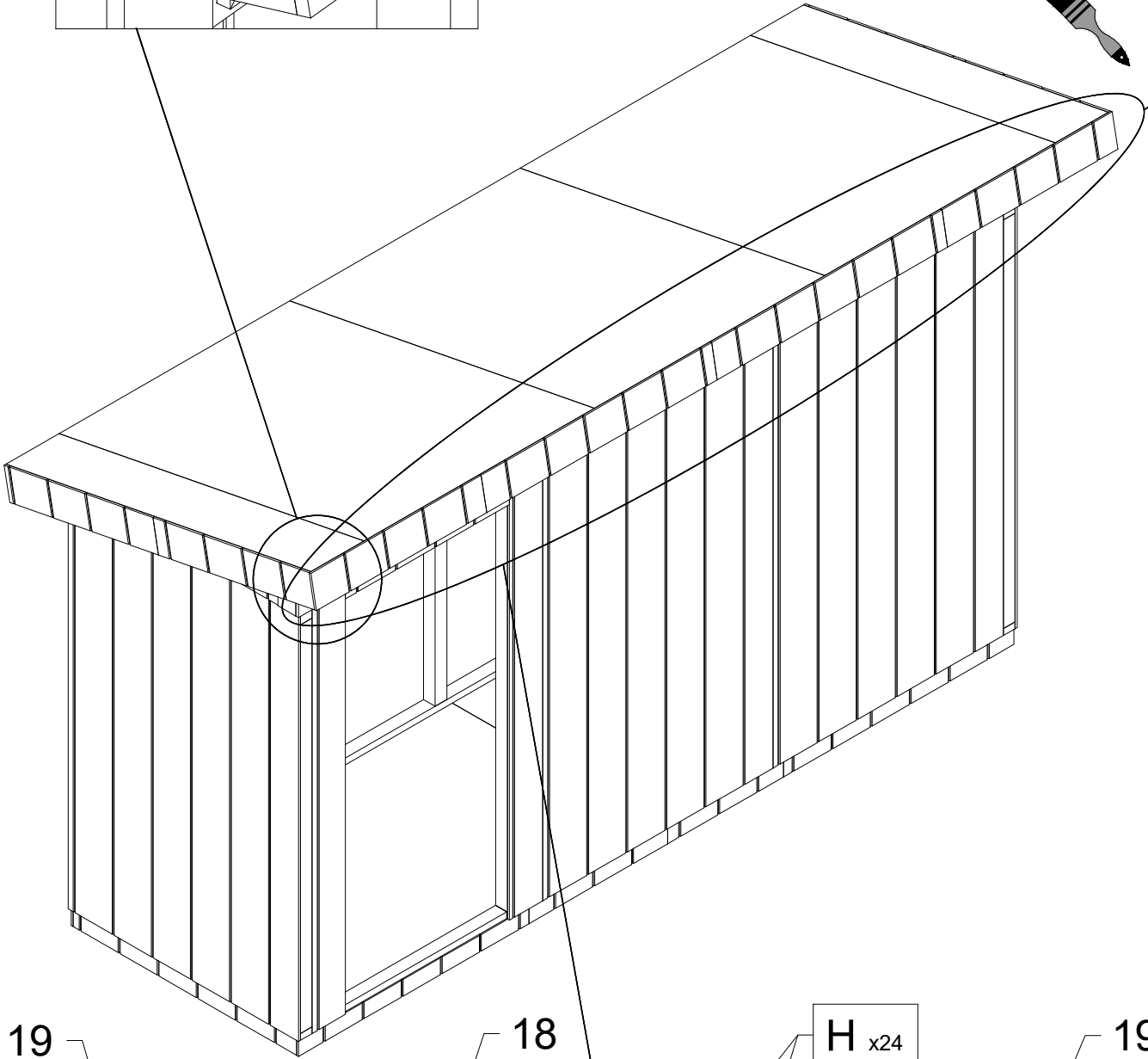
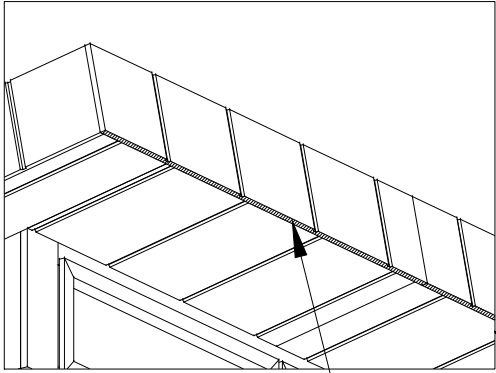
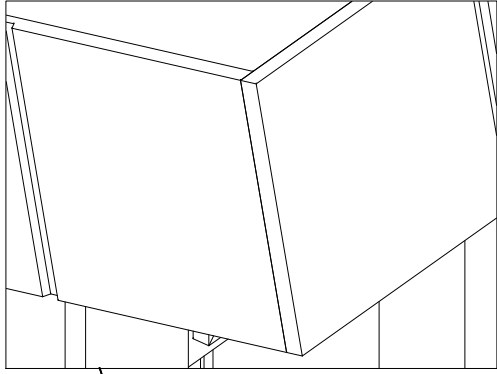
Ø2,5



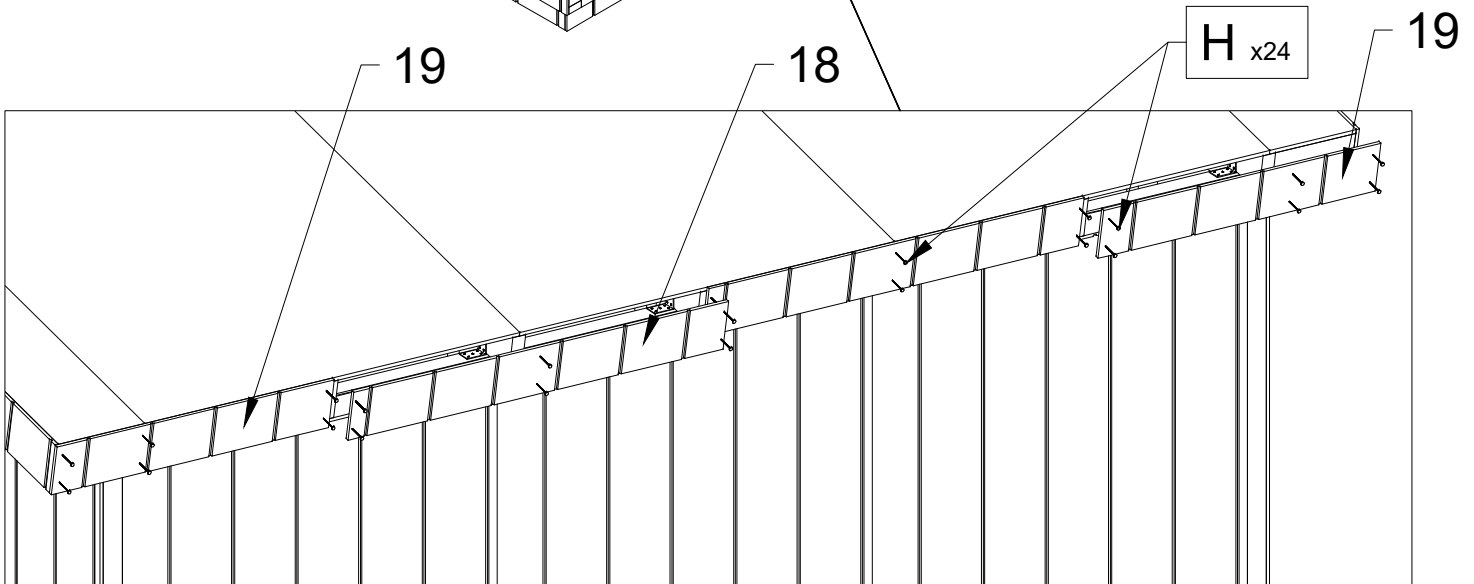
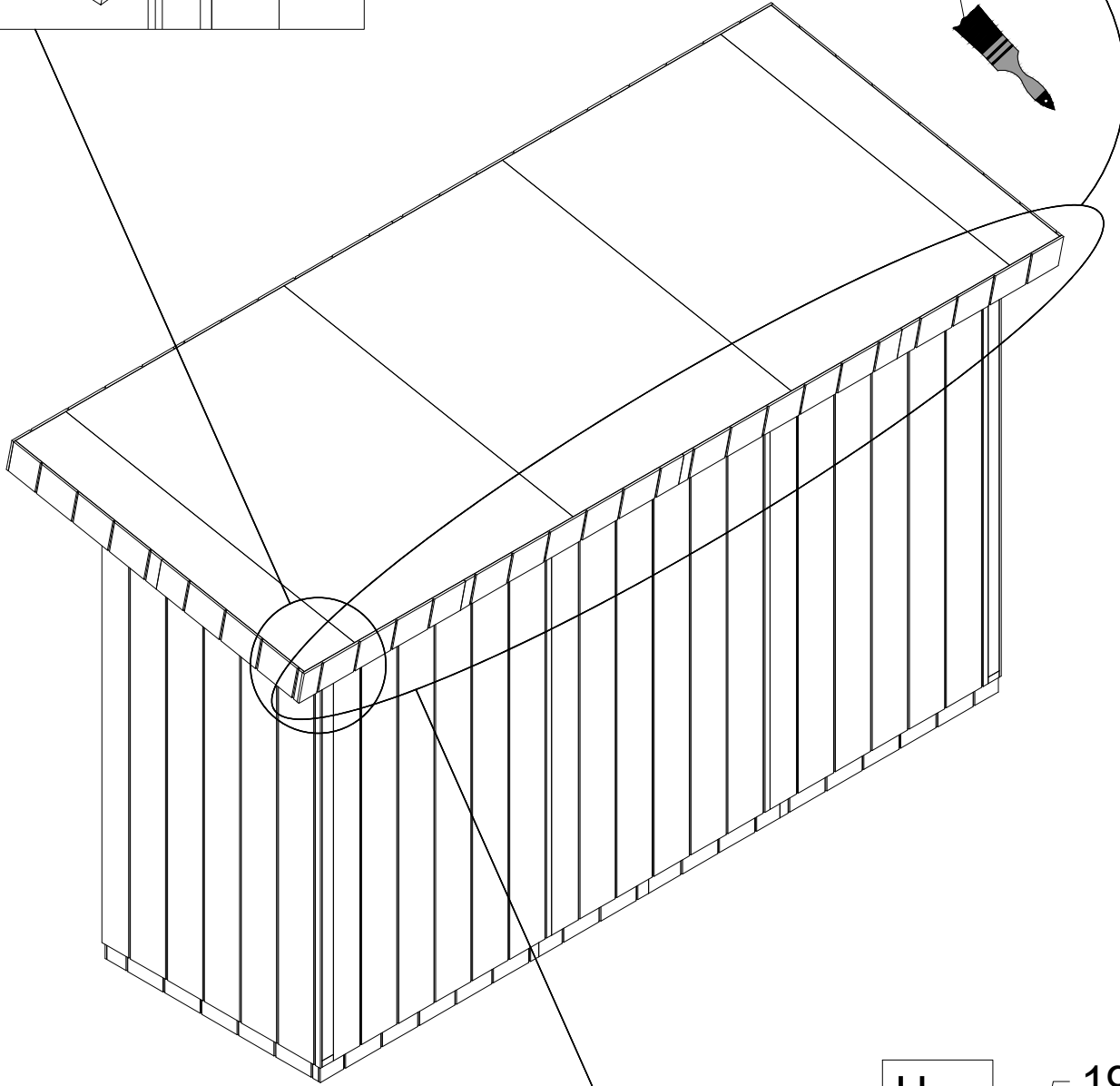
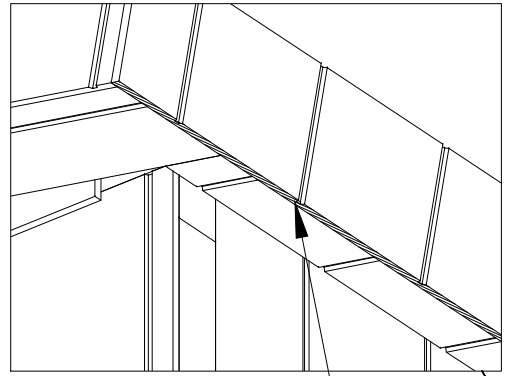
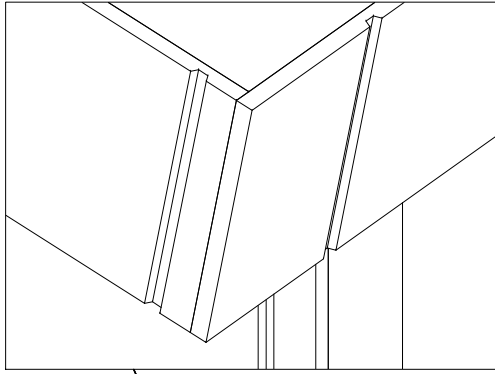
14

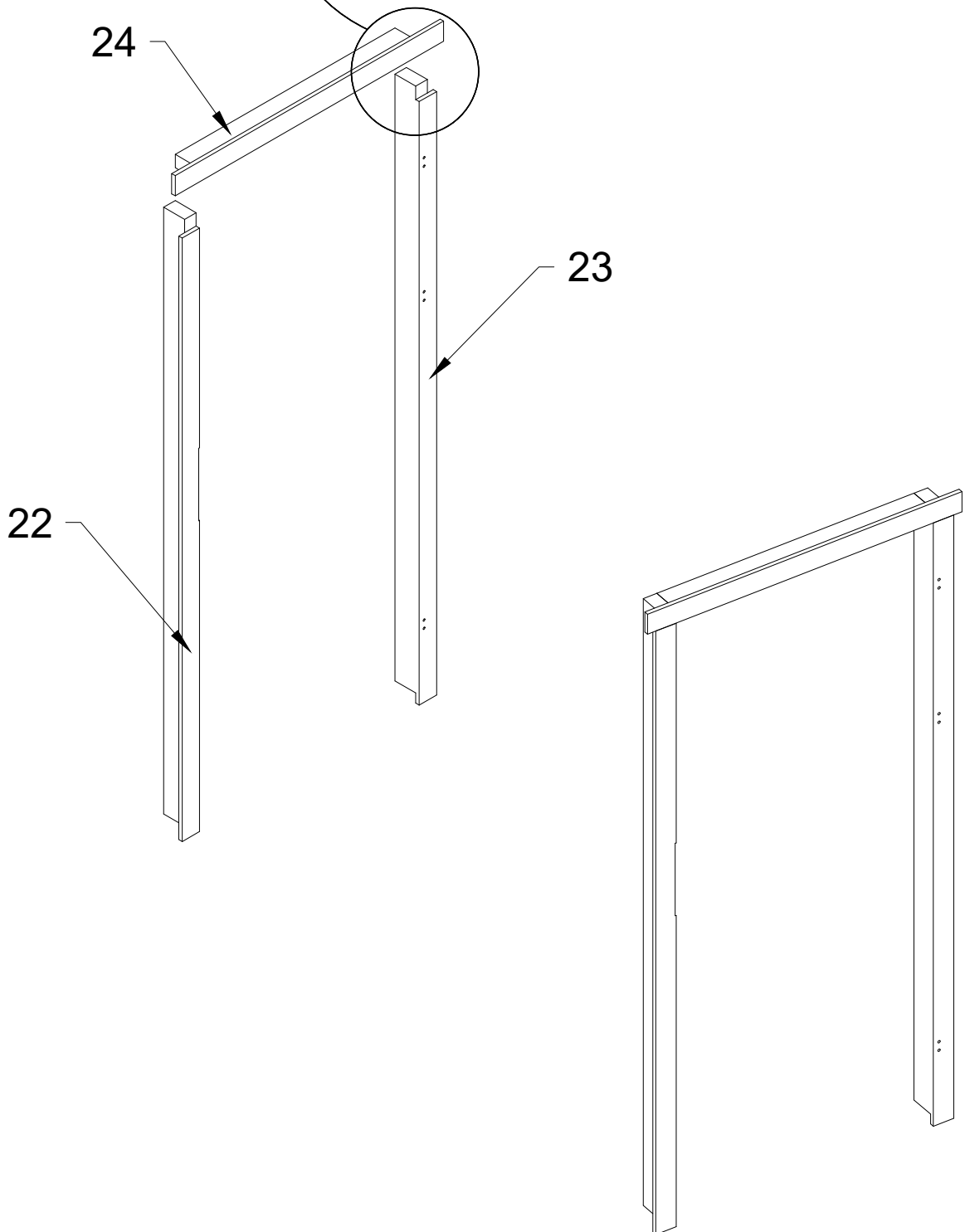
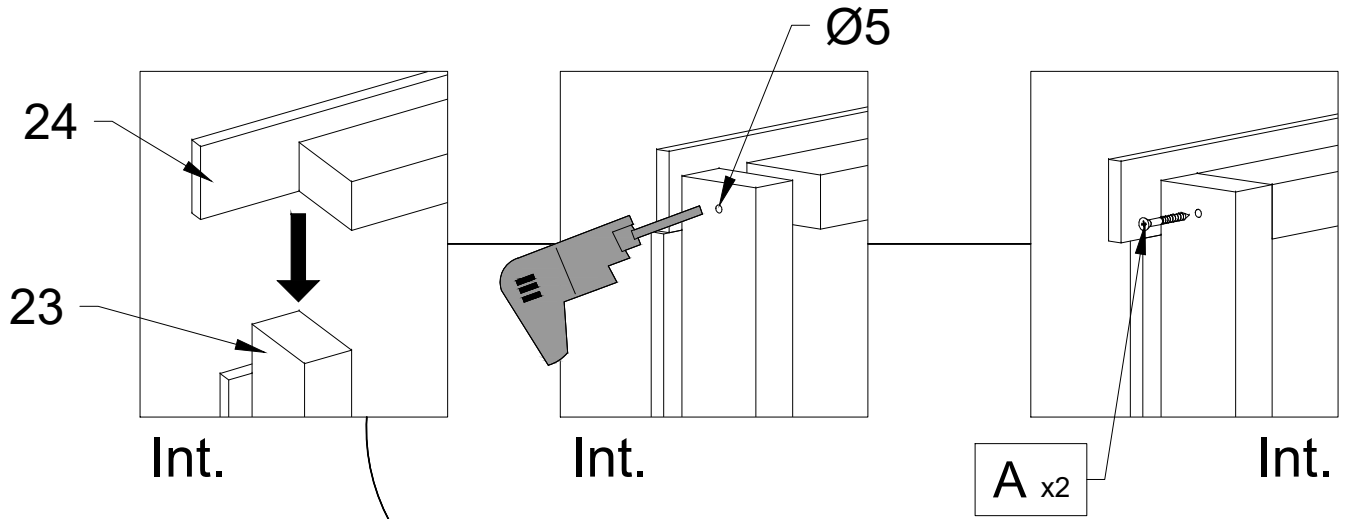


15

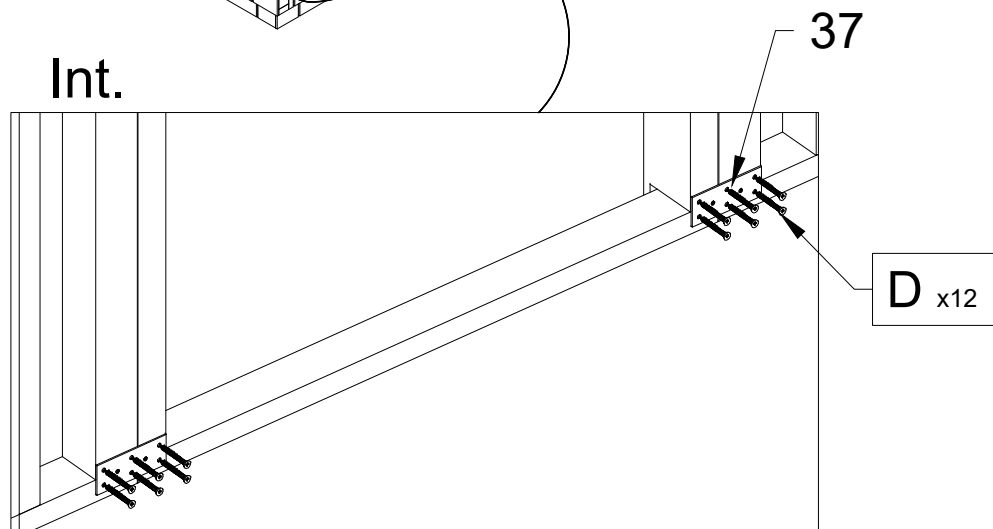
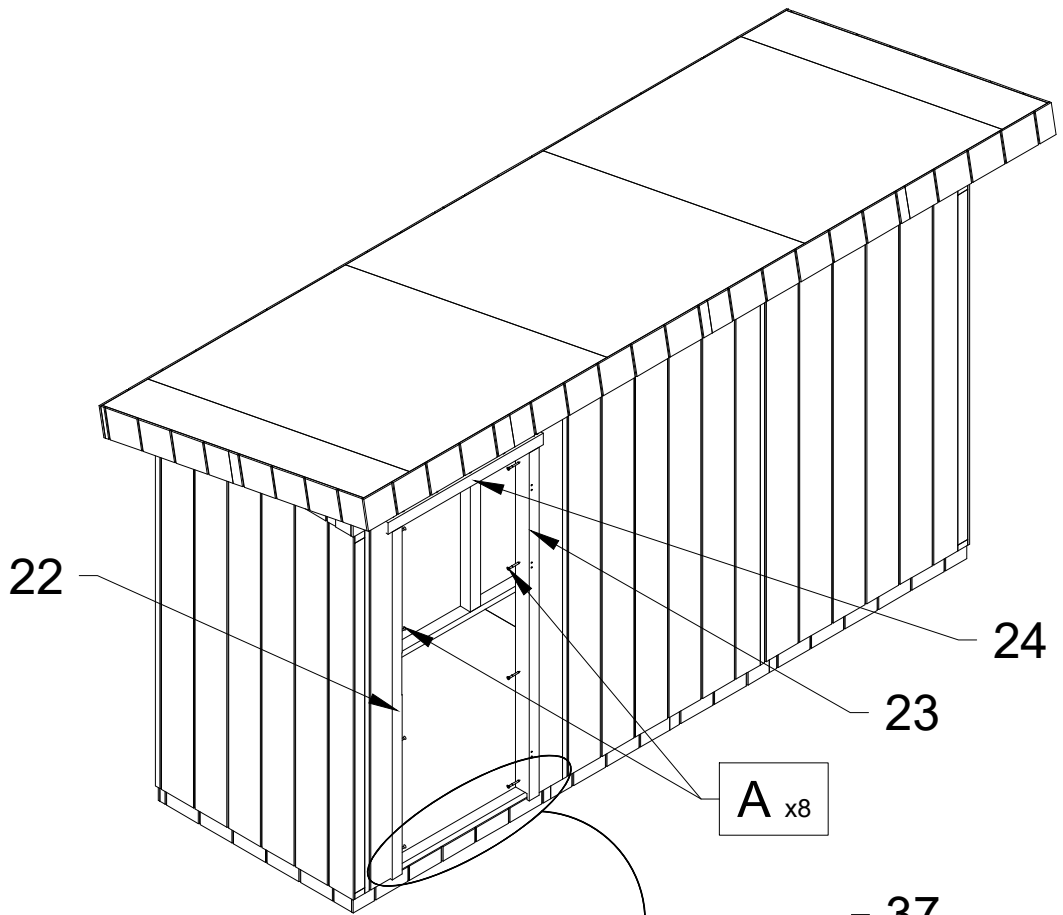
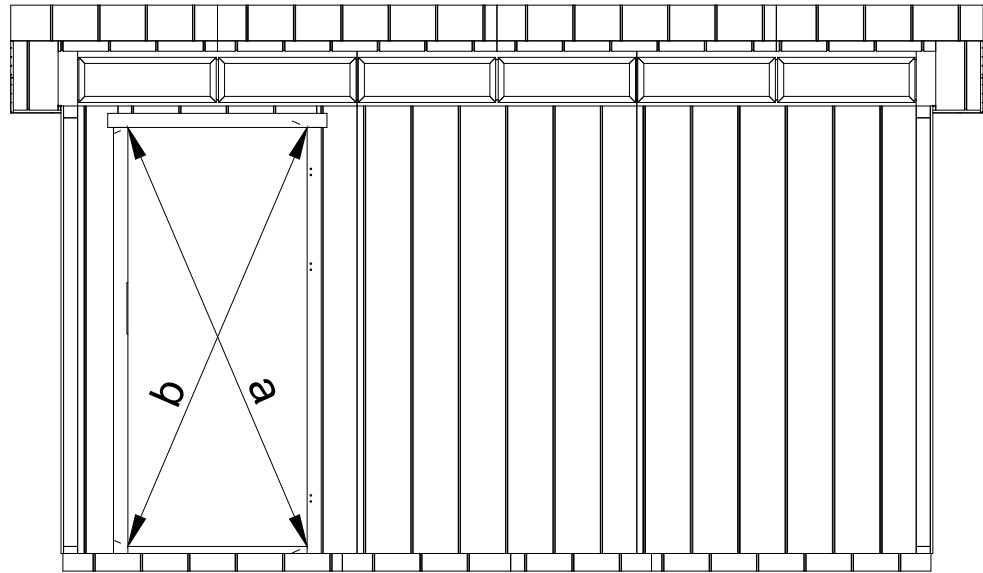


16





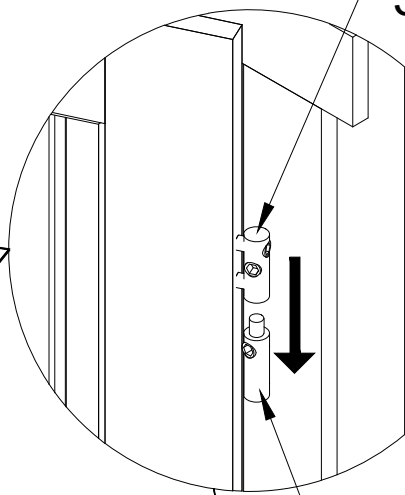
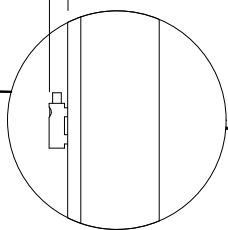
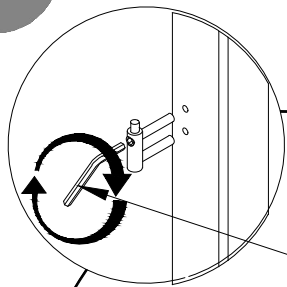
a=b



19

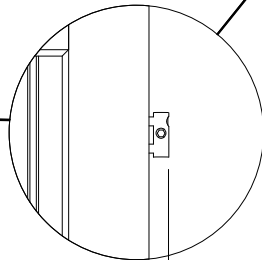
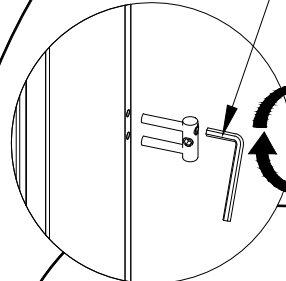
14-19mm

39



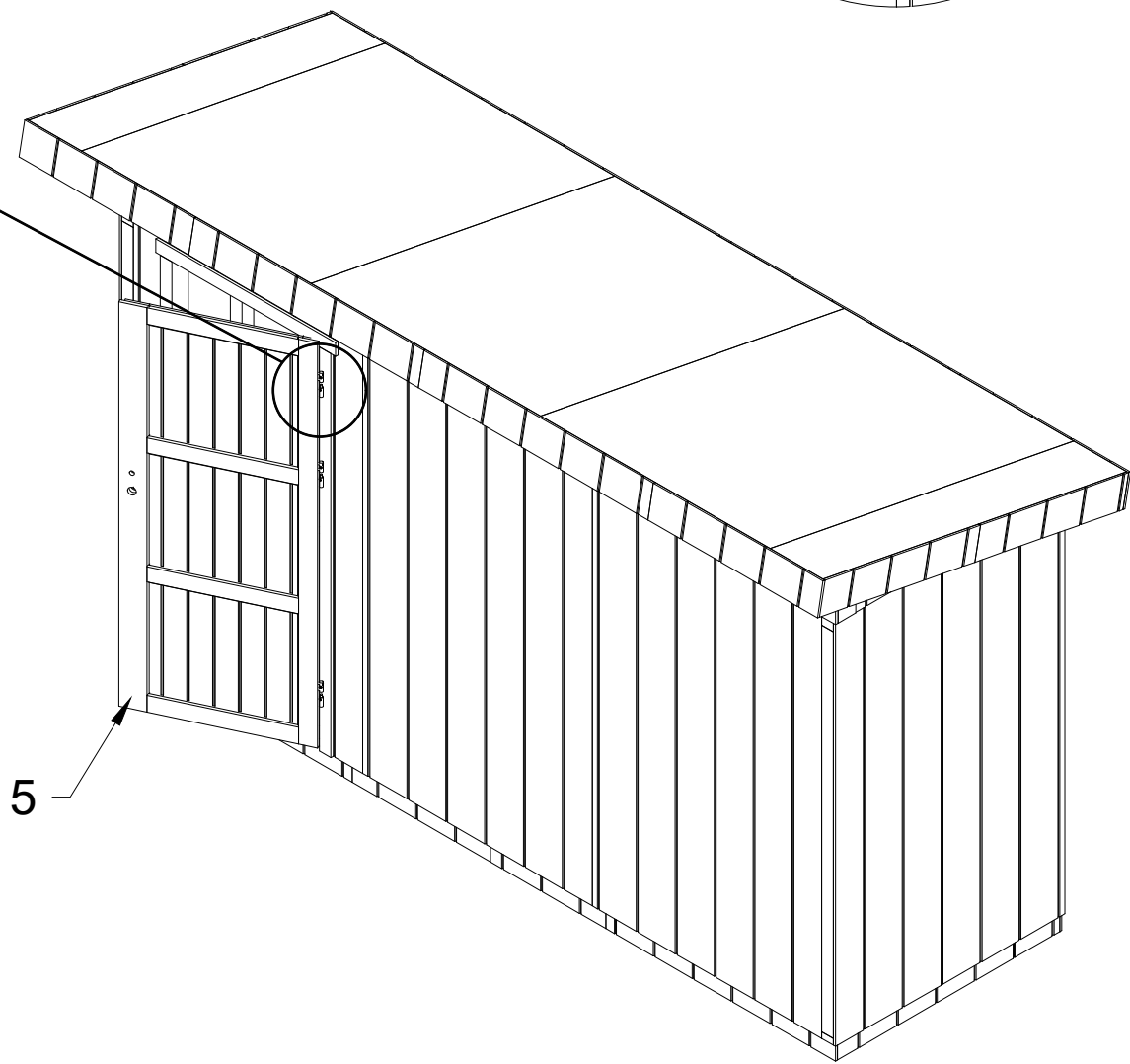
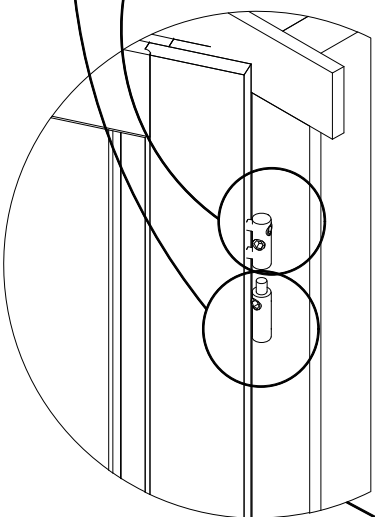
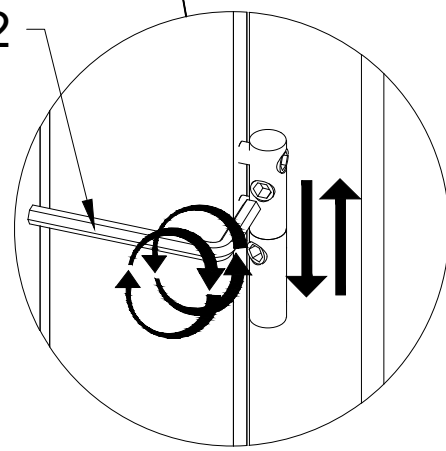
42

39.1

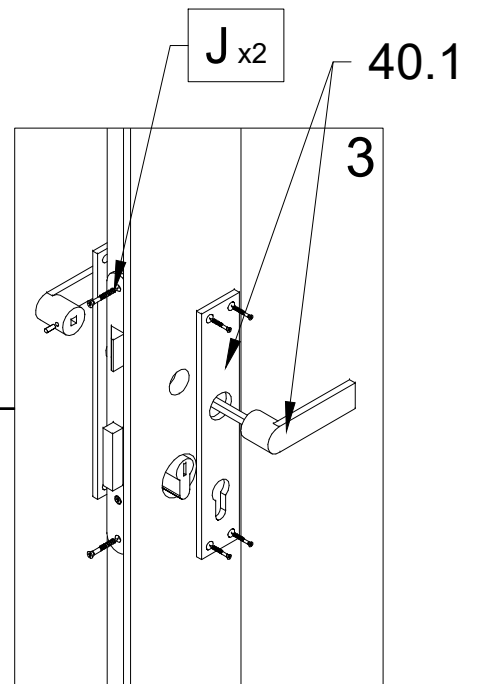
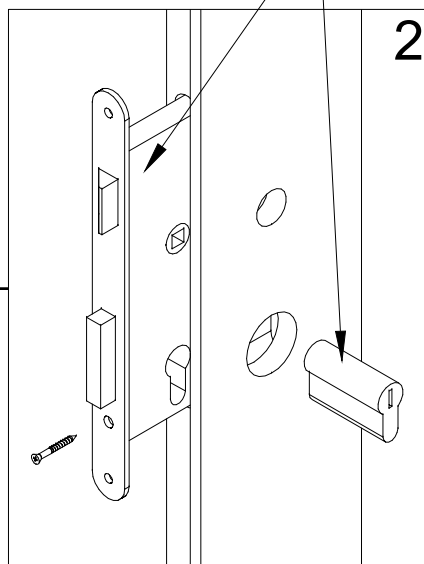
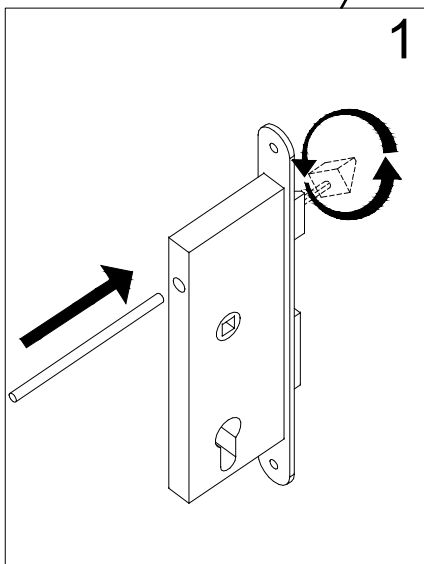
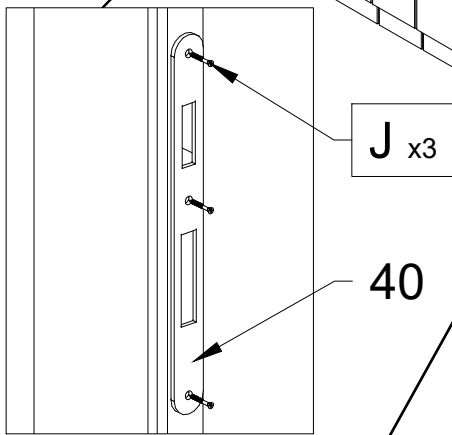
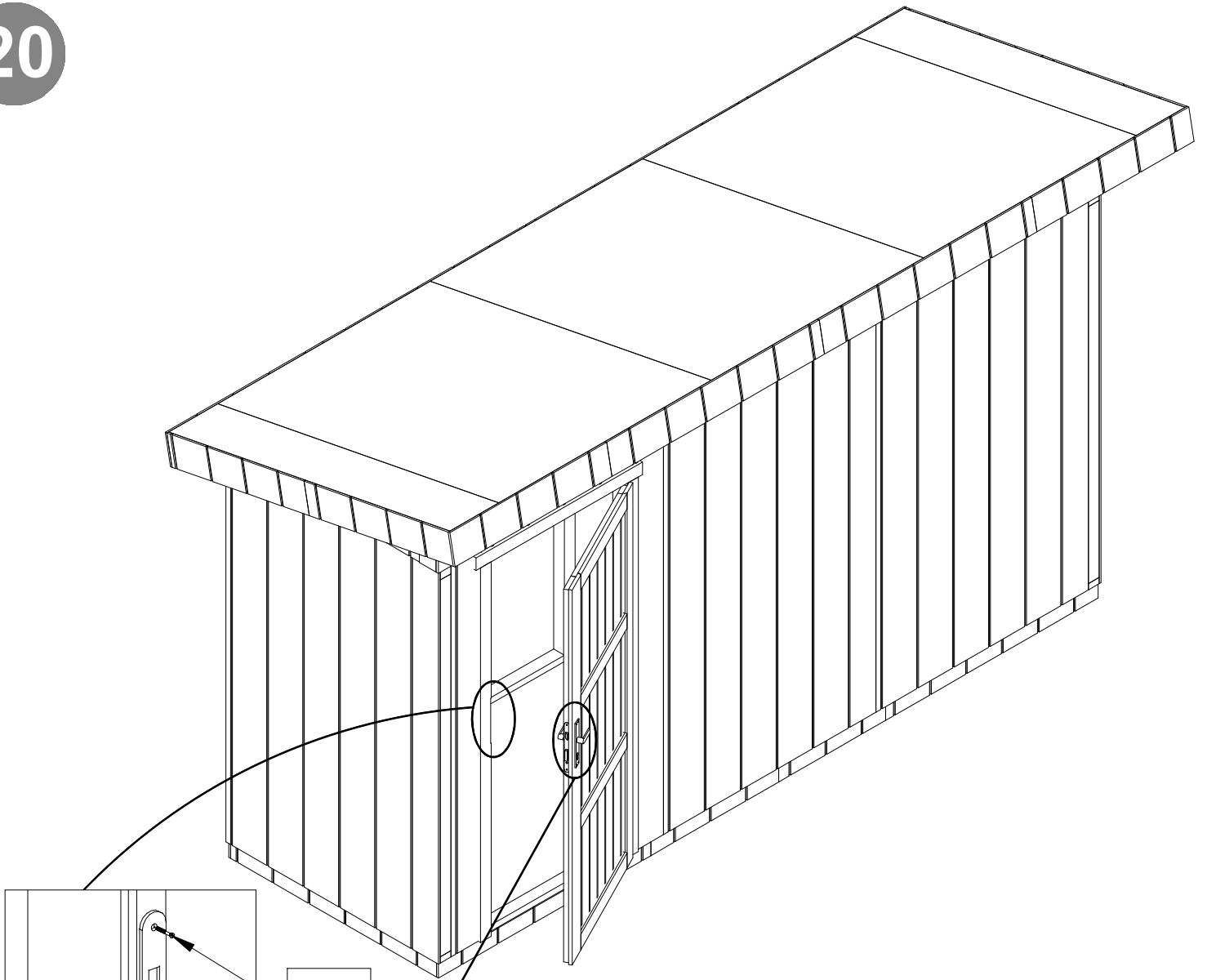


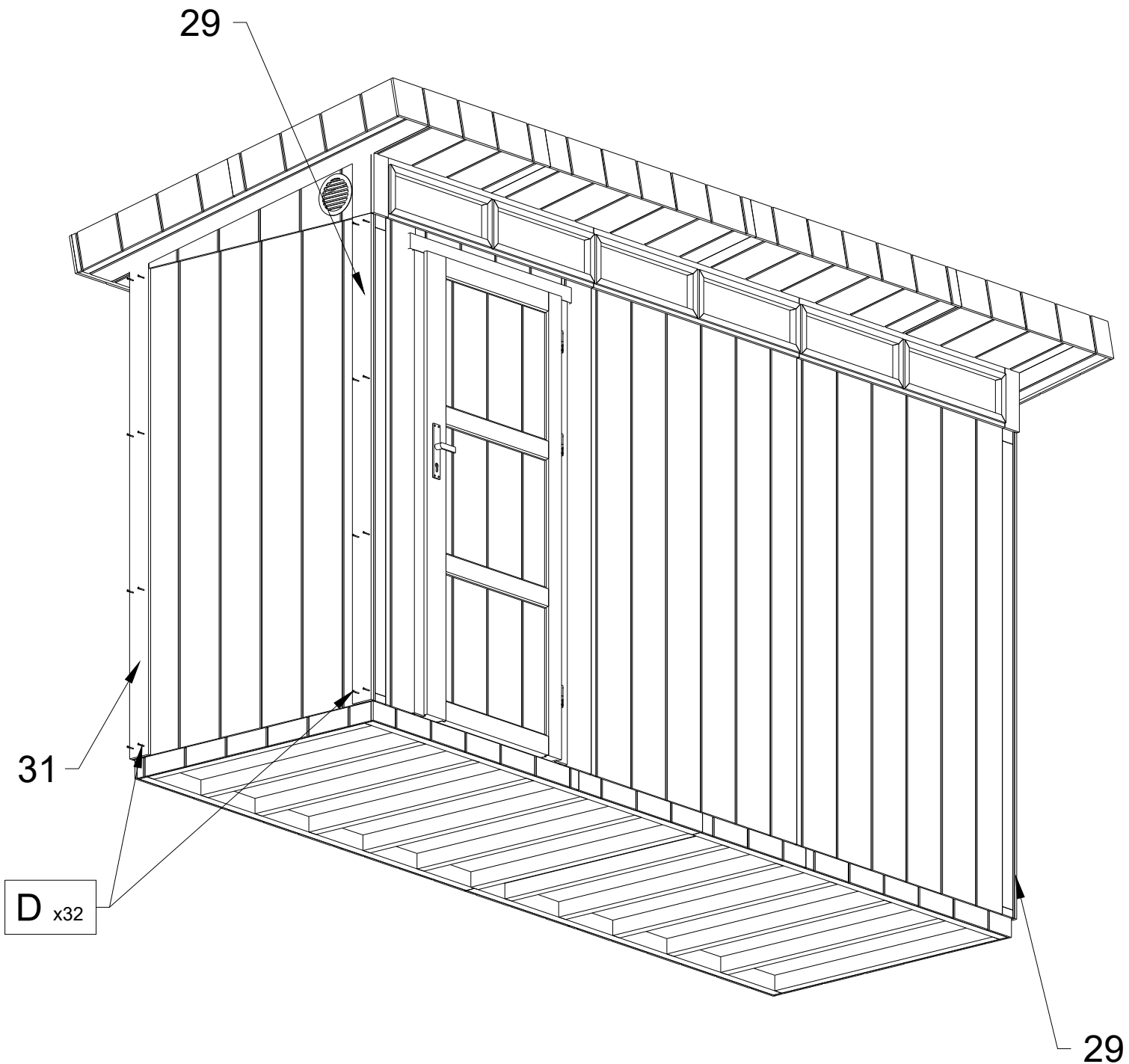
42

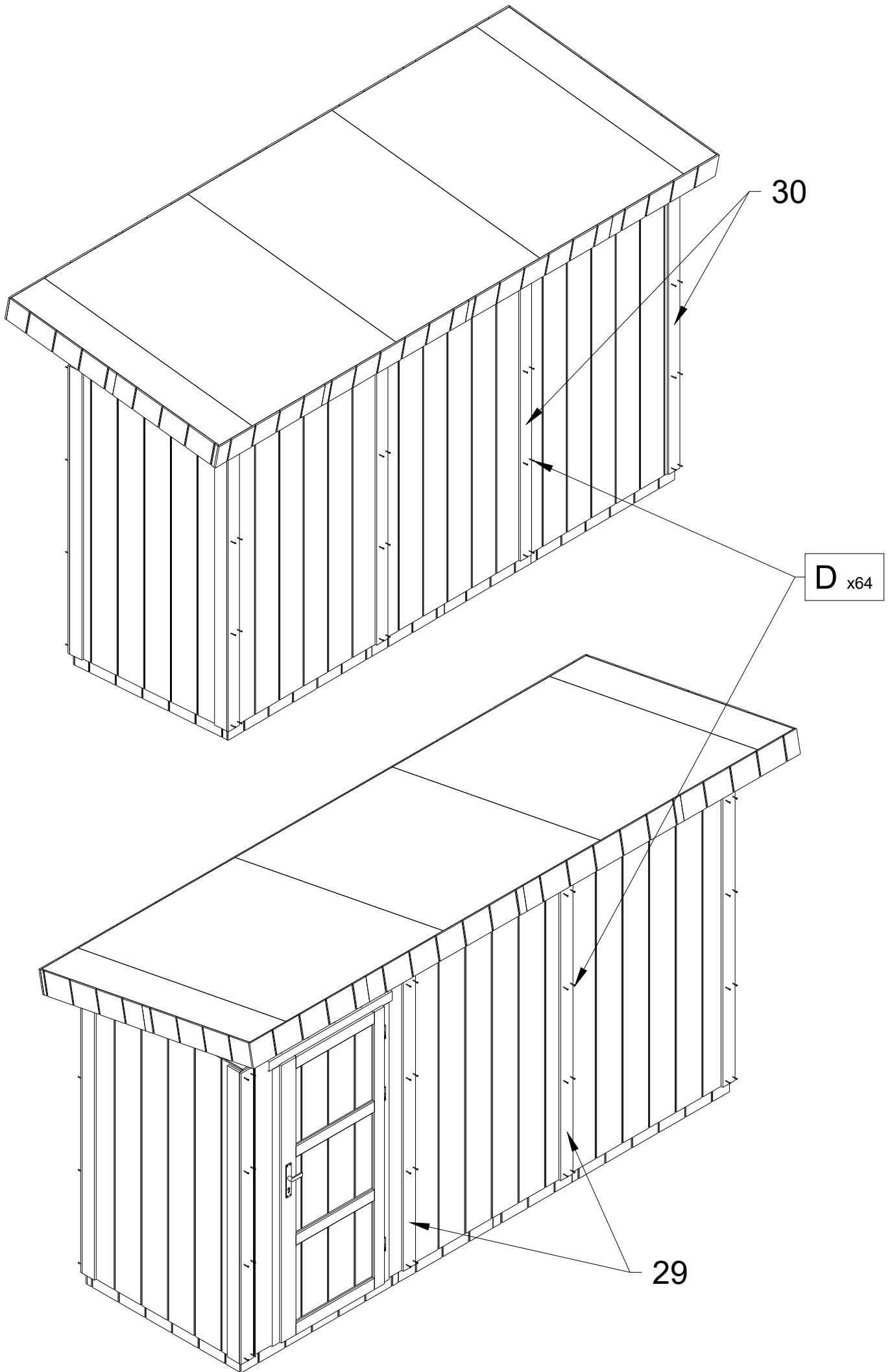
14-19mm



5





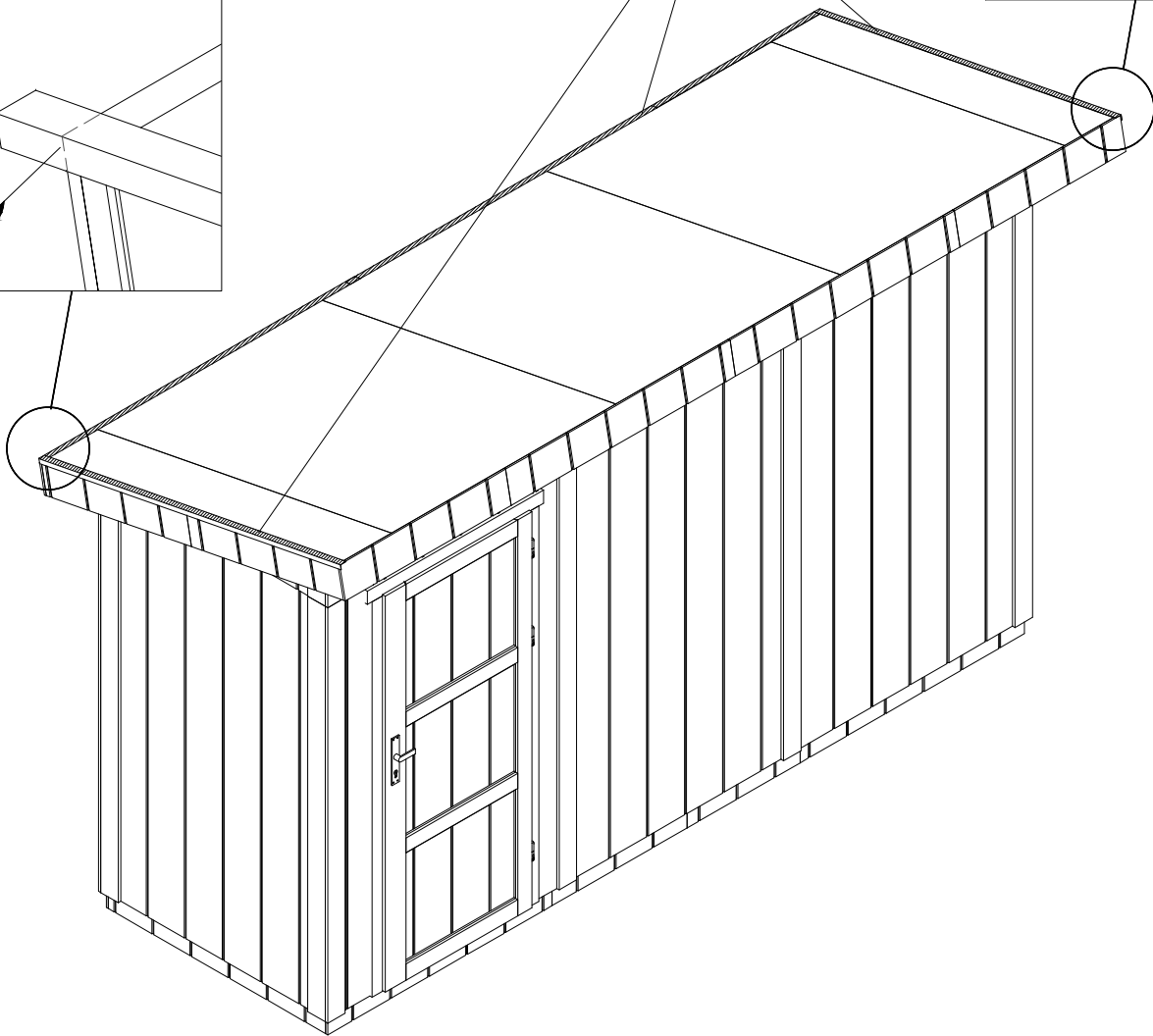
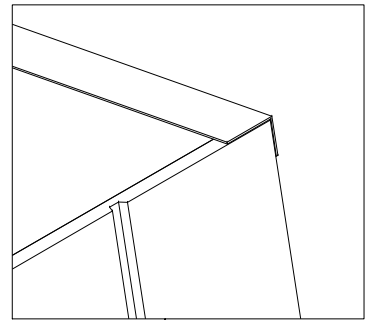
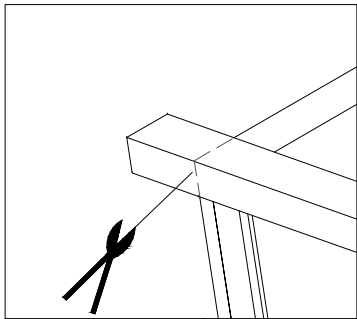


33

K x15

41

Bitum



24

