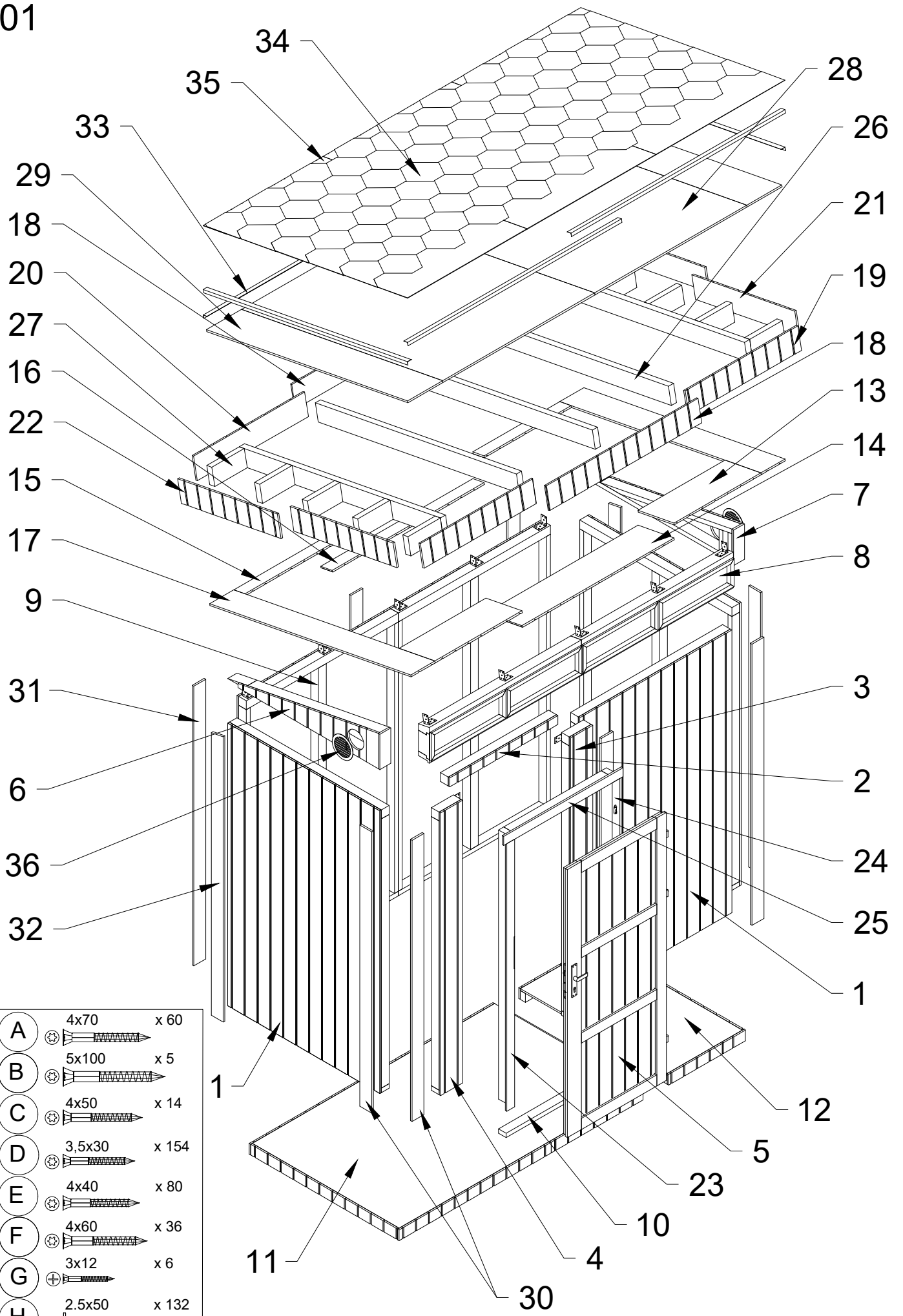
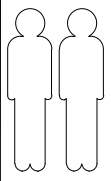
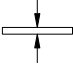
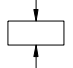


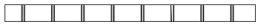
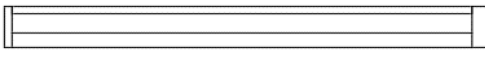
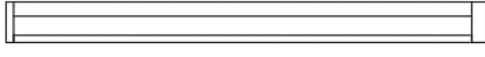
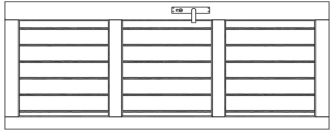
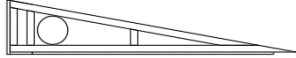

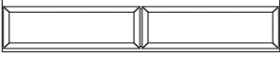
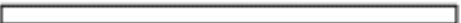

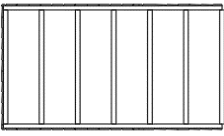
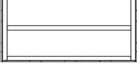


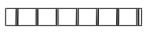

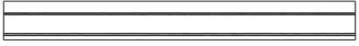







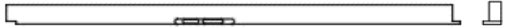
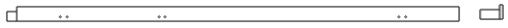
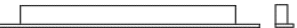
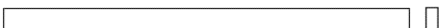







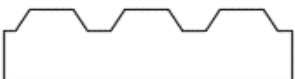
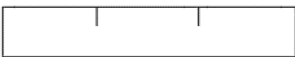

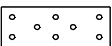
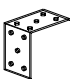


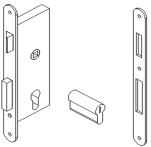




M901



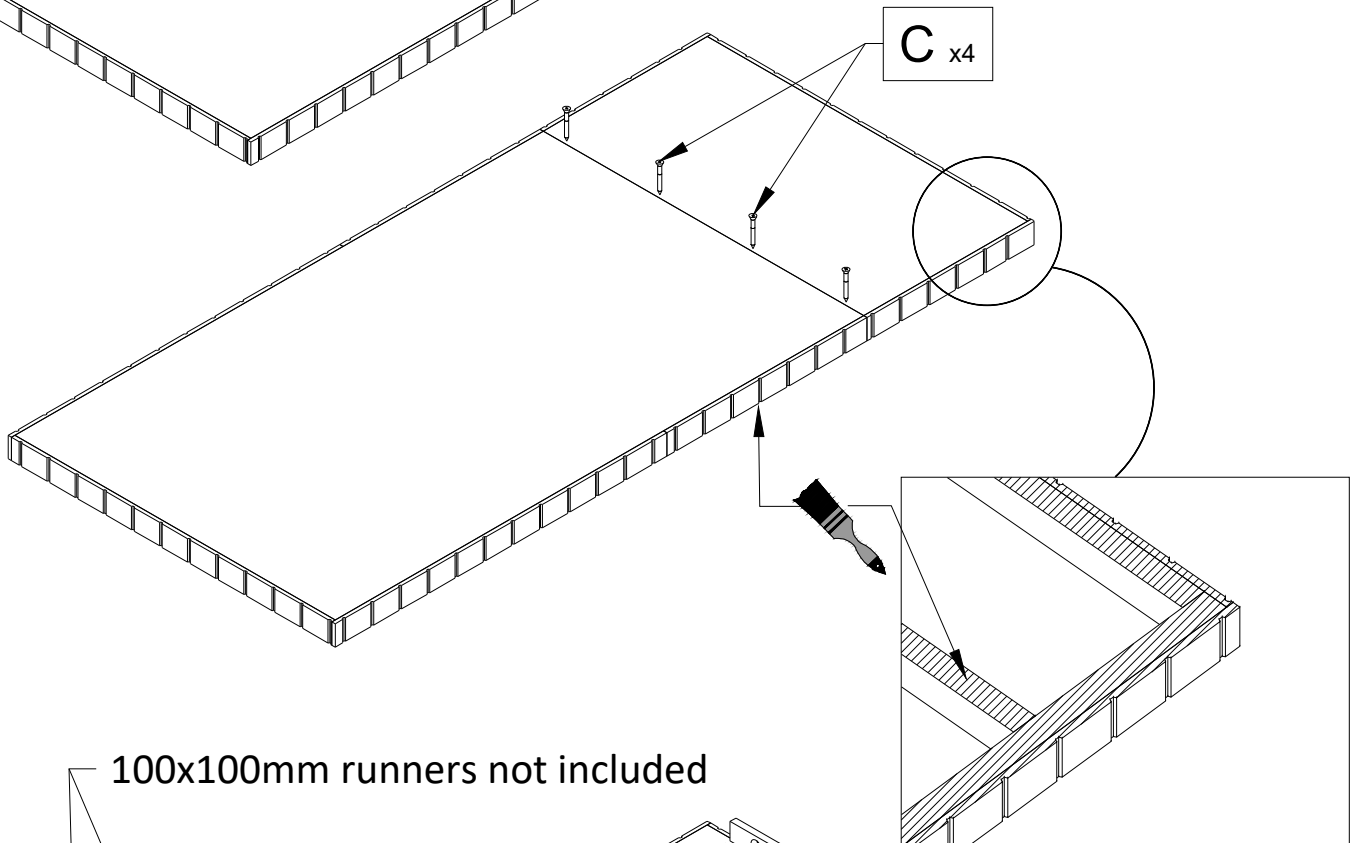
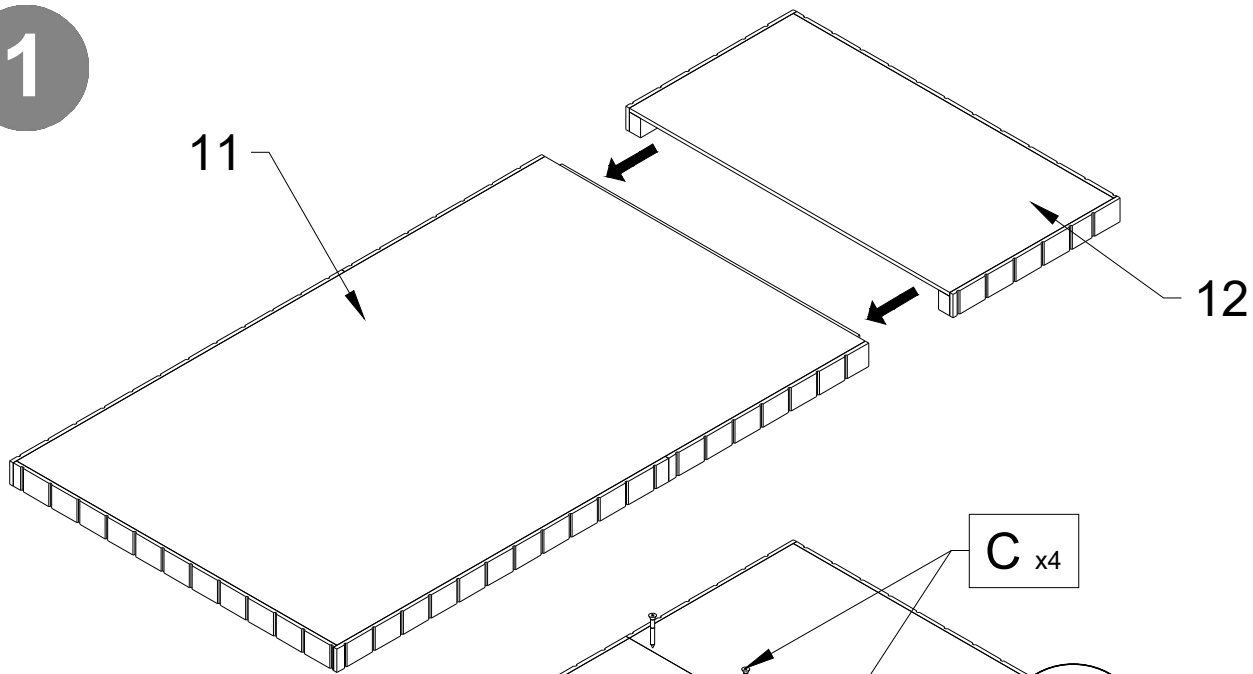
- | | | |
|-----|--------|----------|
| (A) | 4x70 | x 60 |
| (B) | 5x100 | x 5 |
| (C) | 4x50 | x 14 |
| (D) | 3,5x30 | x 154 |
| (E) | 4x40 | x 80 |
| (F) | 4x60 | x 36 |
| (G) | 3x12 | x 6 |
| (H) | 2,5x50 | x 132 |
| (J) | 4x30 | x 5 |
| (K) | 3,1x15 | x 2 pack |



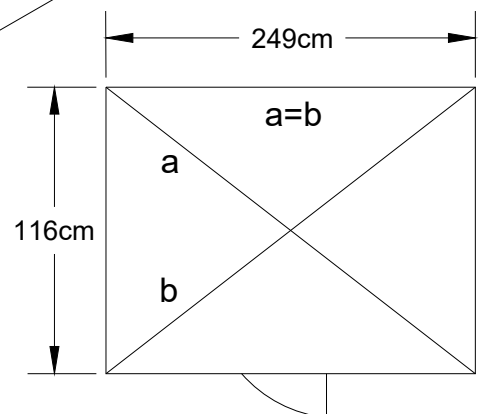
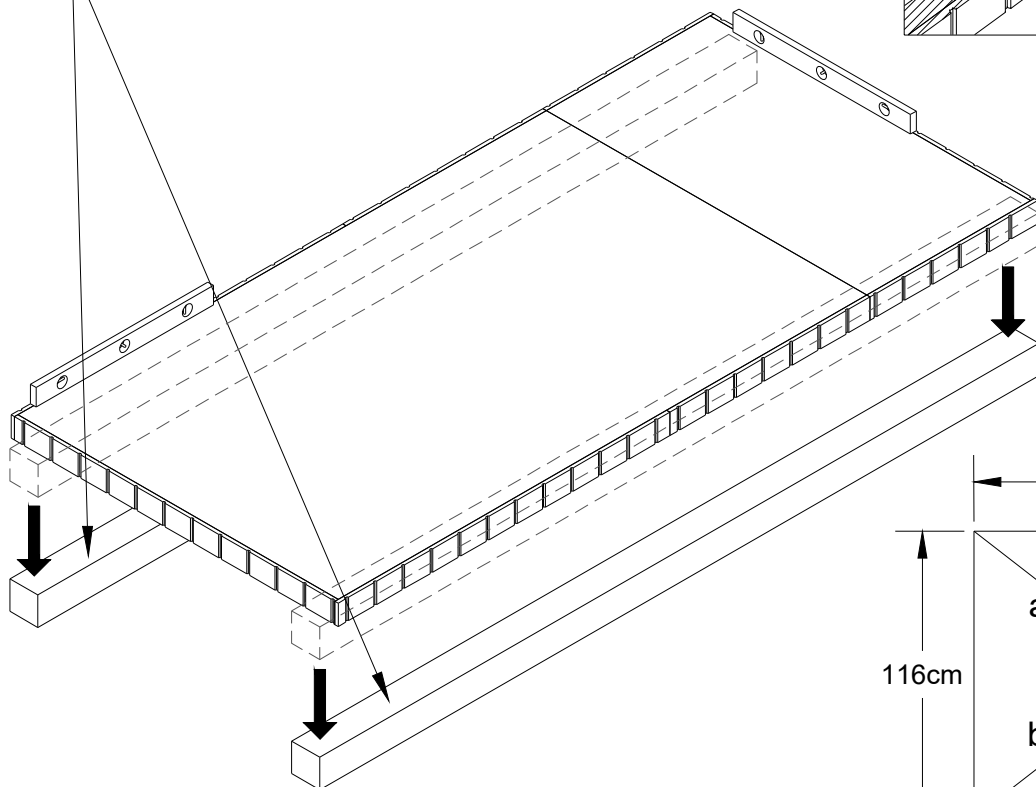
№	Image	PCS			
			mm	mm	mm
1		5		1180	1900
2		1		60	839
3		1		170	1900
4		1		170	1900
5		1		769	1801
6		1		238	1193
7		1		238	1193
8		2		240	1180
9		5	60	60	1810
10		1	30	57	837
11		1		1164	1892
12		1		596	1164
13		2	12	284	675
14		1	12	284	1180
15		2	12	89	675
16		1	12	89	1180
17		2	12	187	1590
18		2	12	154	1180
19		2	12	154	874
20		2	12	154	862
21		2	12	154	814
22		2	12	154	787

23		1	60	84	1839
24		1	60	84	1839
25		1	60	84	925
26		5	40	120	1590
27		10	40	120	252
28		2	12	1180	1590
29		2	12	272	1590
30		5	13	92	1890
31		3	13	92	1885
32		2	13	92	1917
33		6			1660
34		2 pack			
35		3			1000
36		2			
37		4			
38		10			
39		3			
39.1		3			
40		1			
40.1		1			
41		1			
42		1			
43		1			

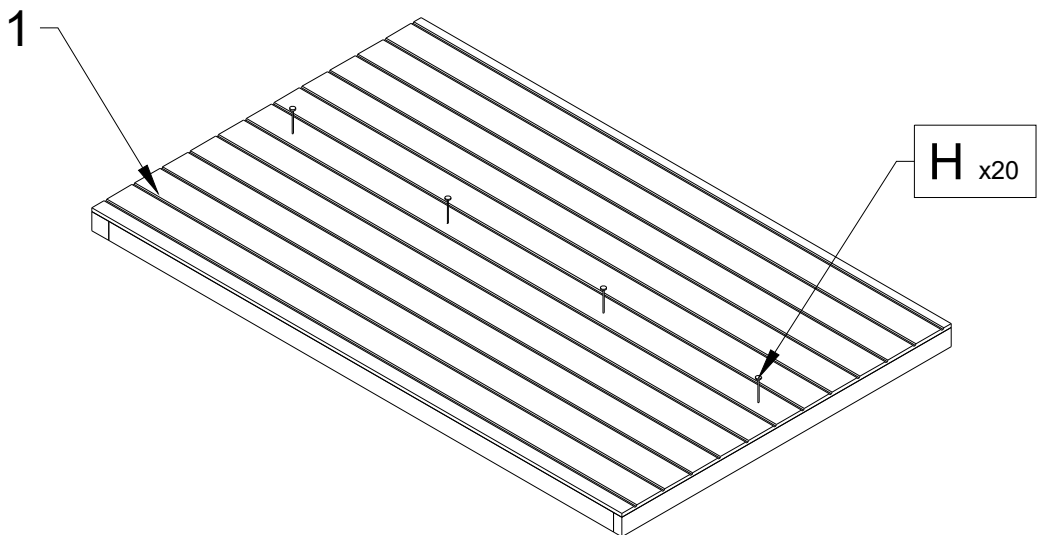
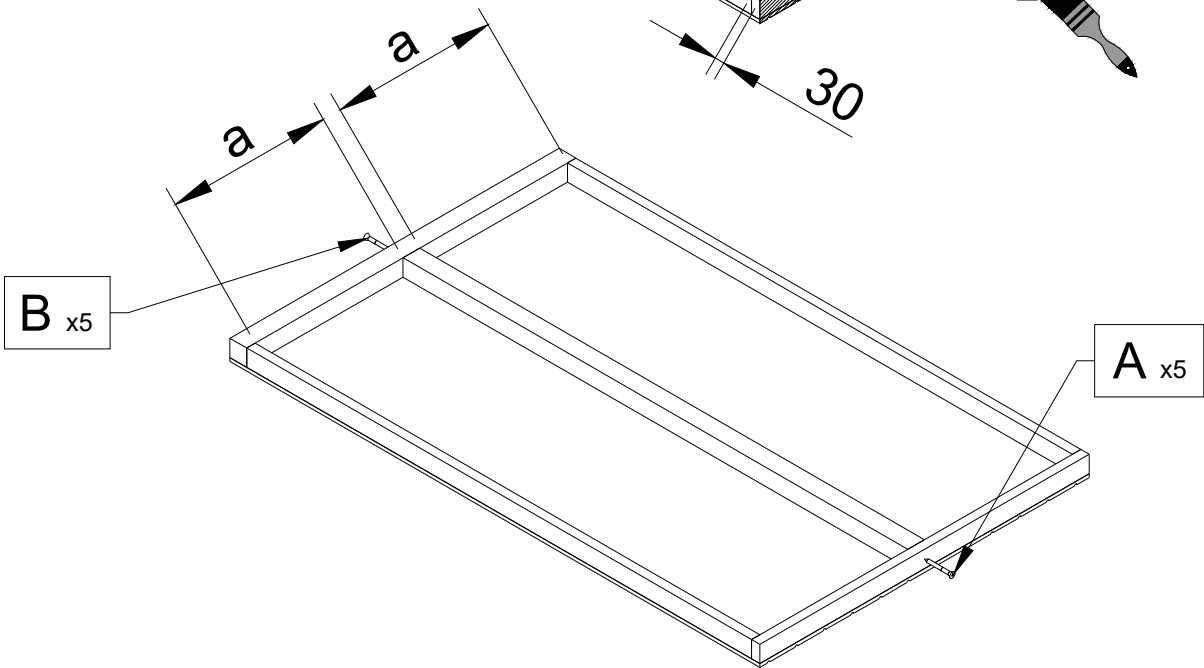
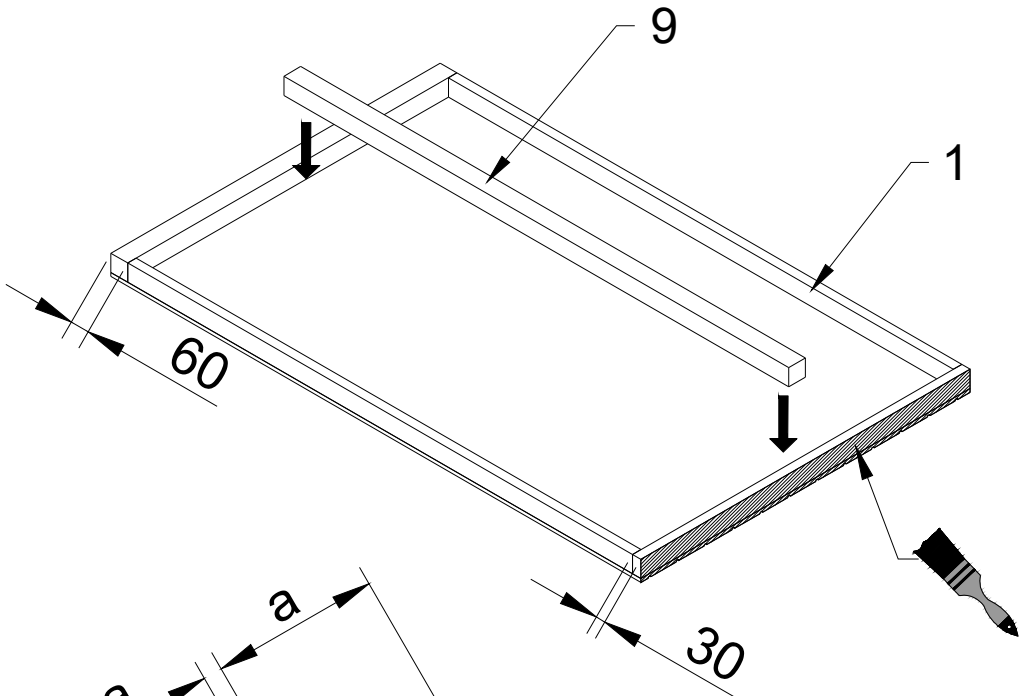
1



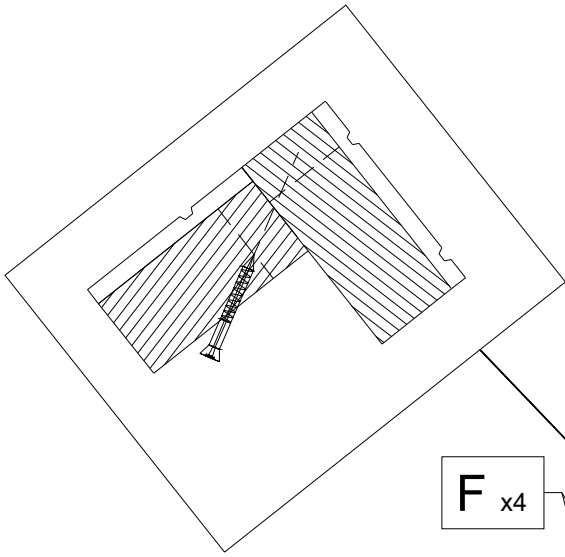
100x100mm runners not included



2



3



F_{x4}

C_{x4}

F_{x4}

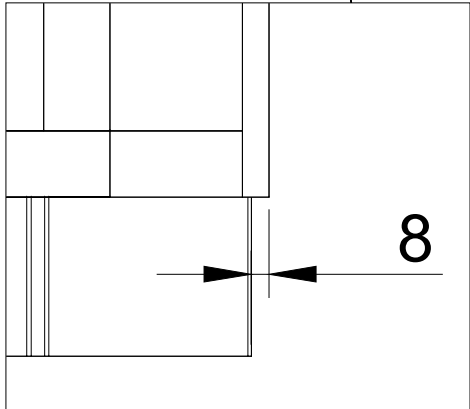
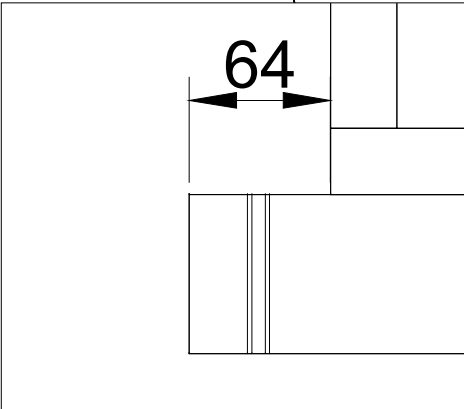
A_{x12}

1

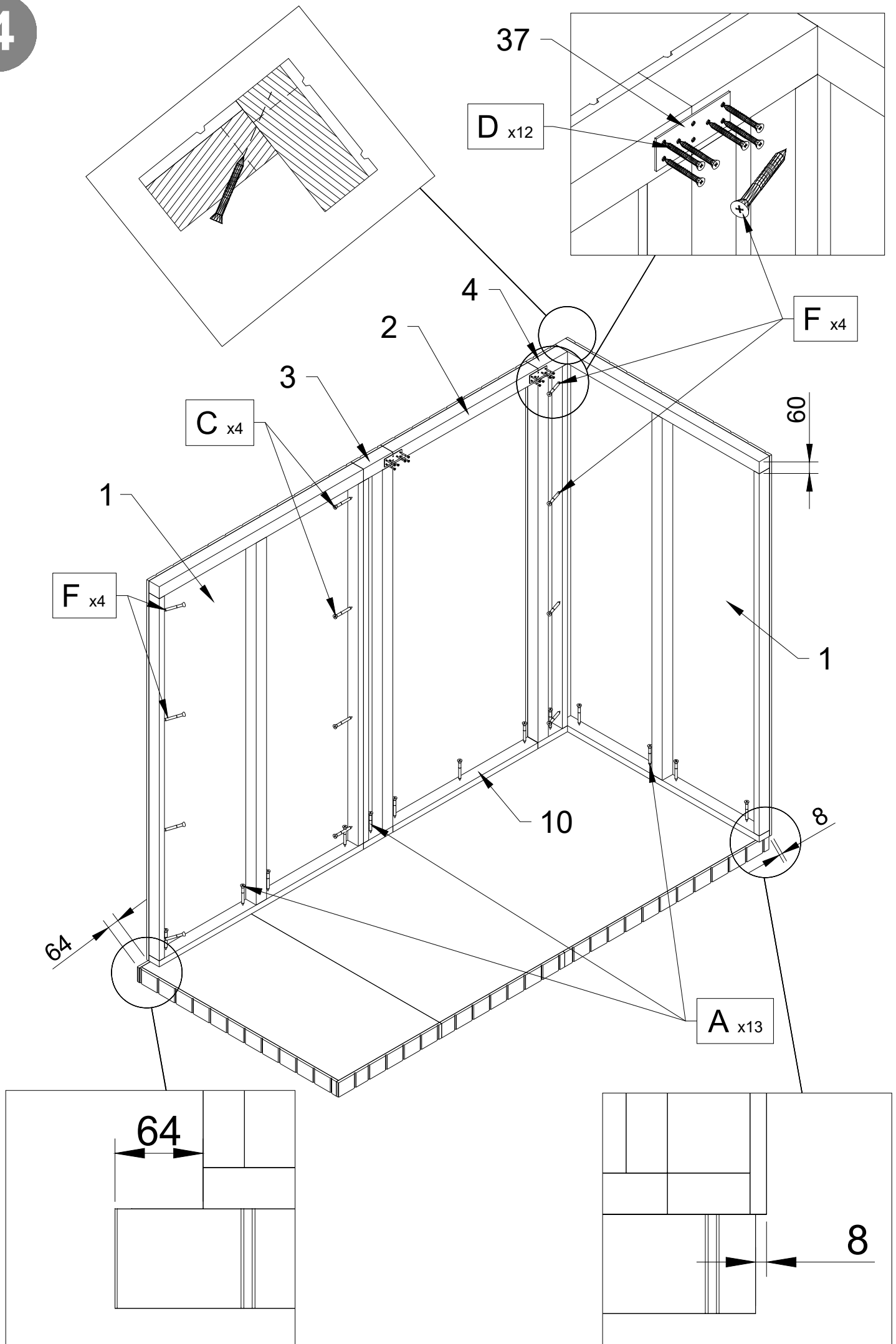
64

8

60

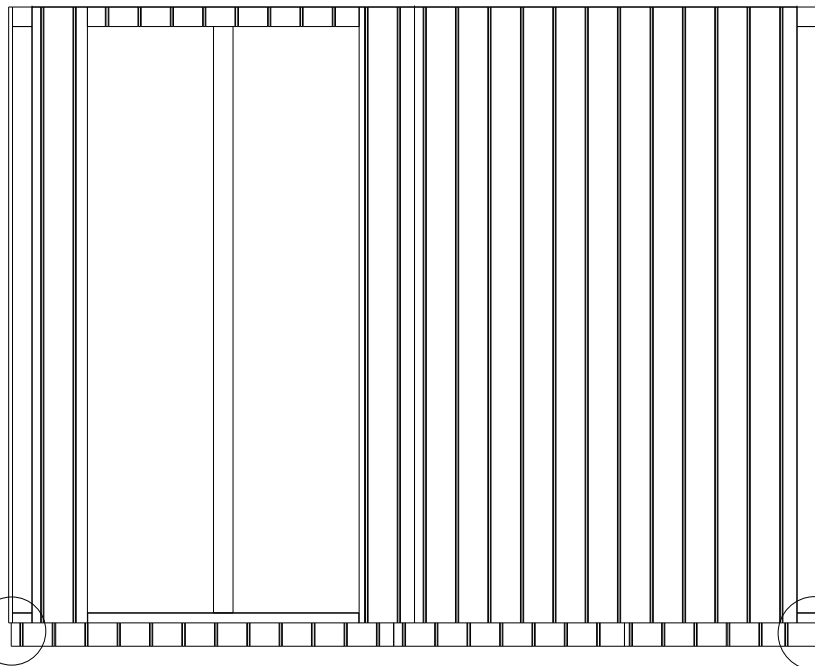
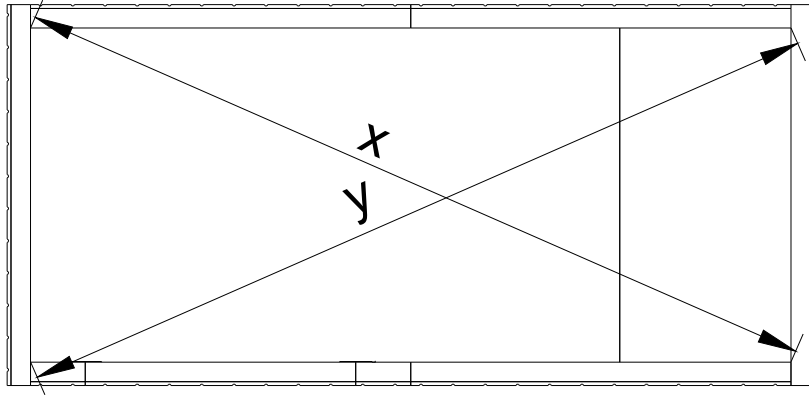


4

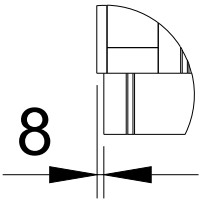


5

$x=y$

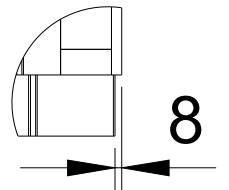


Det A



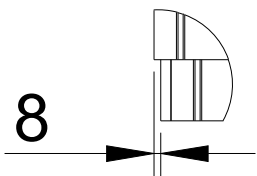
A

Det B

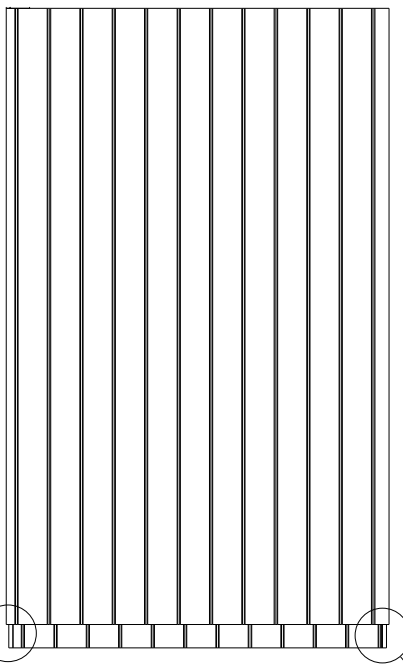


B

Det C

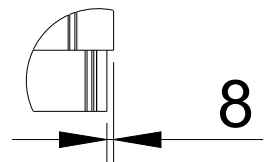


C

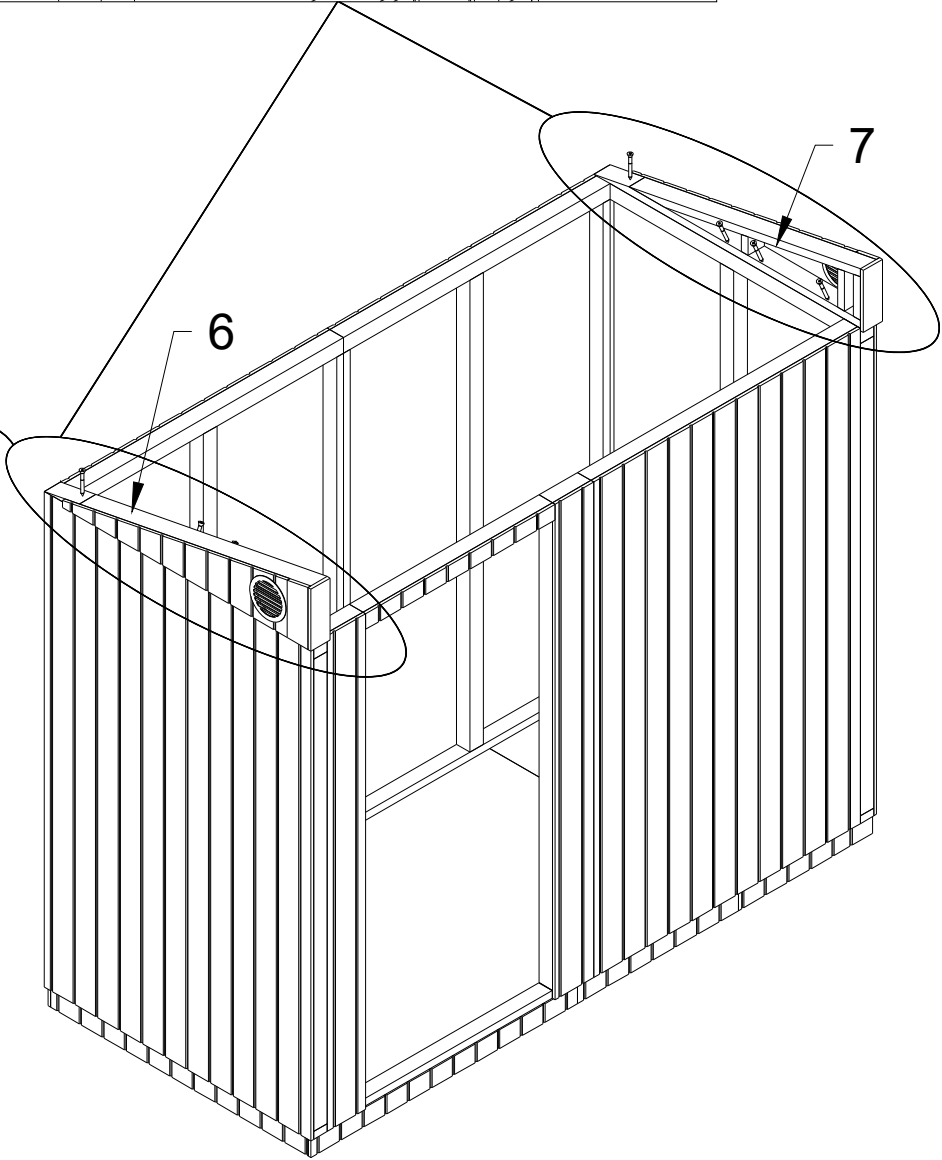
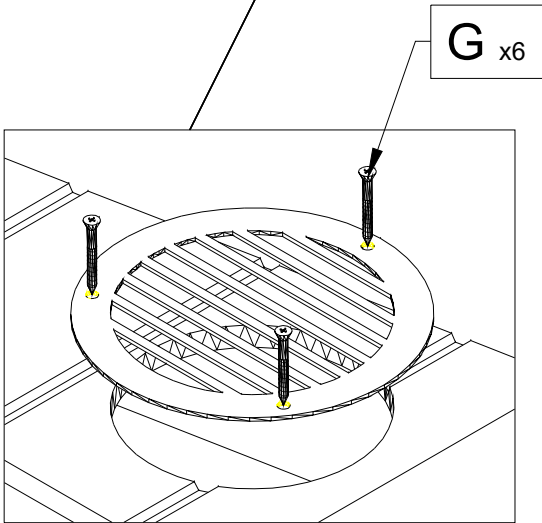
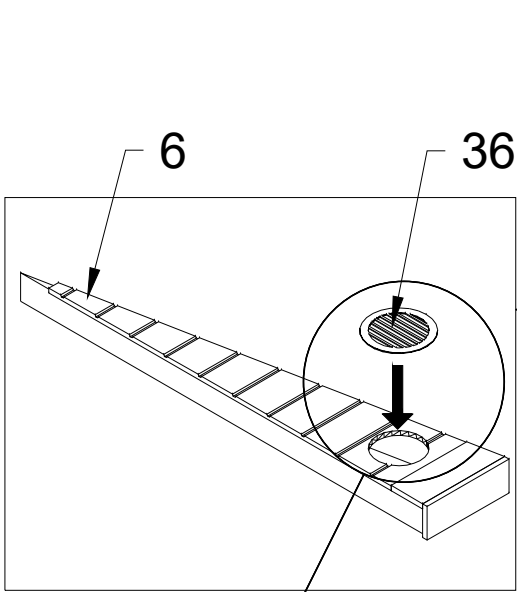
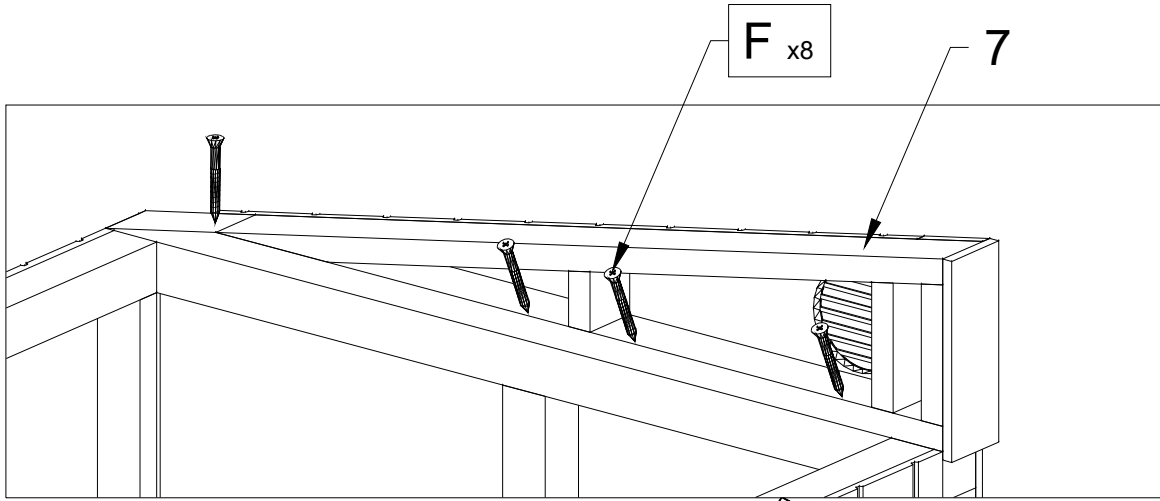


D

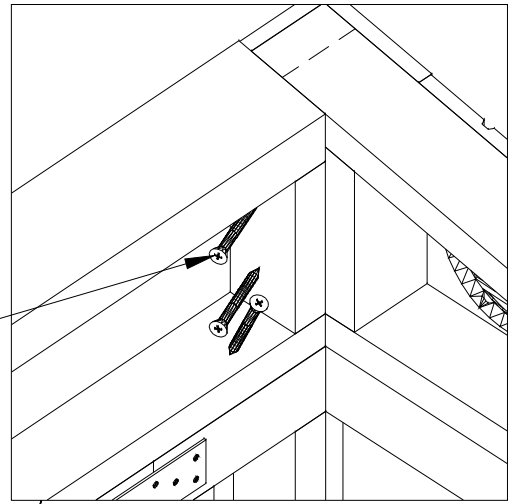
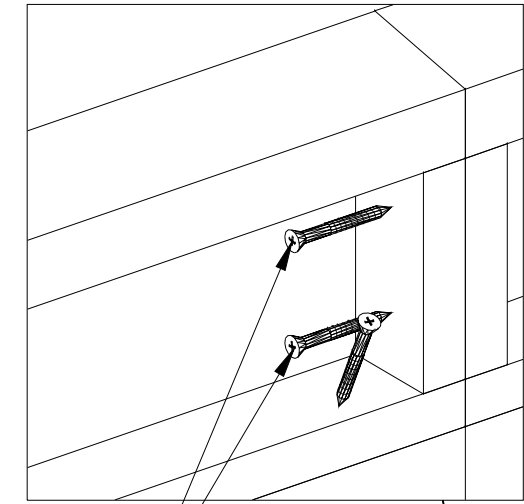
Det D



6



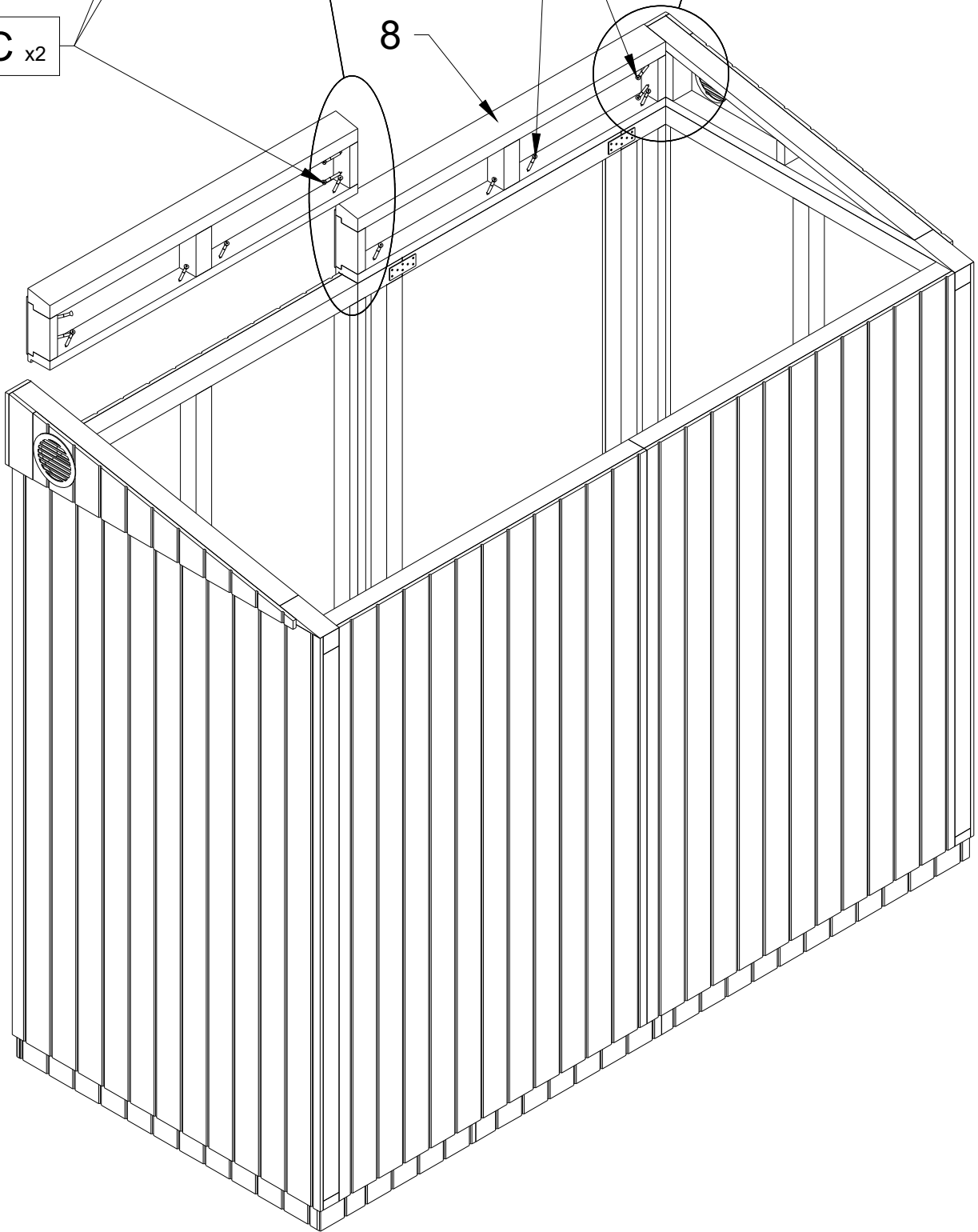
7



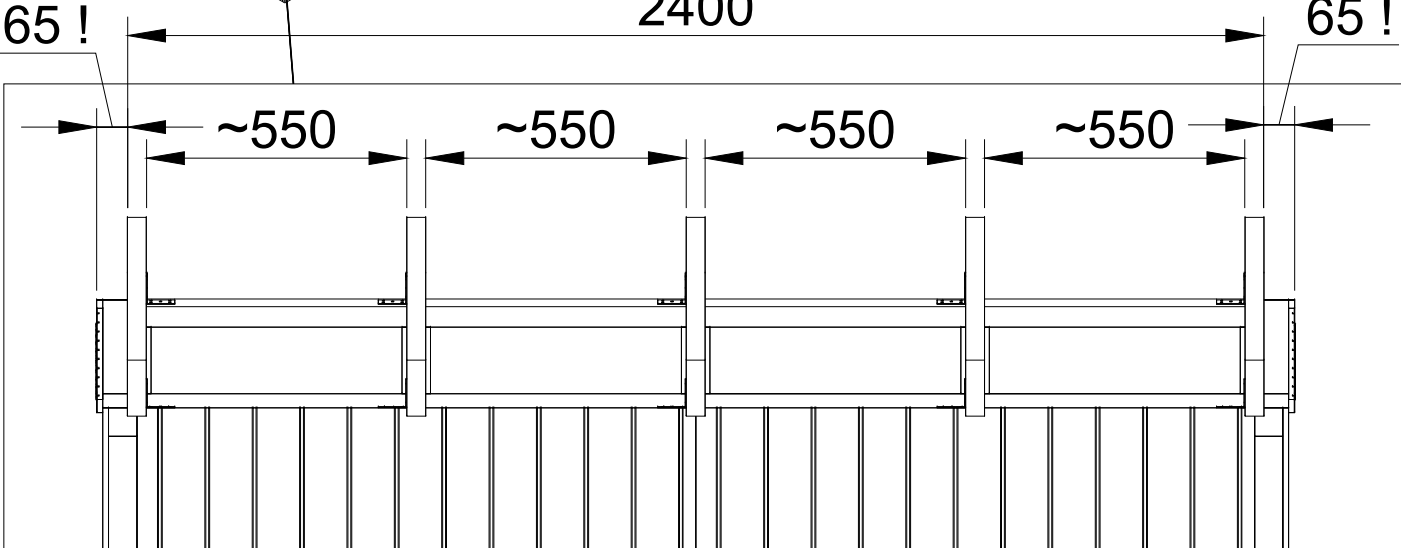
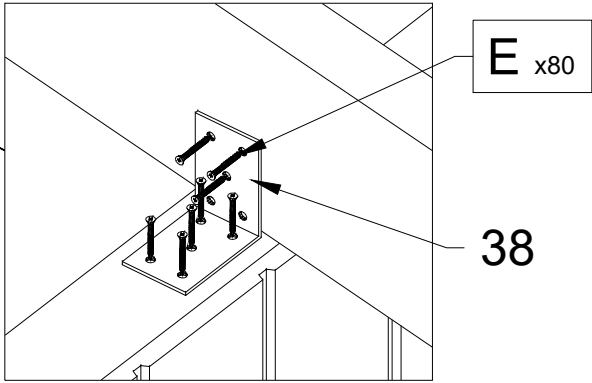
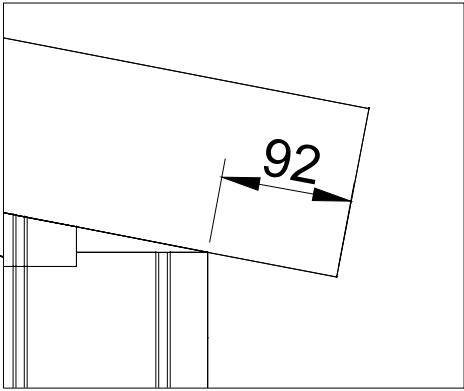
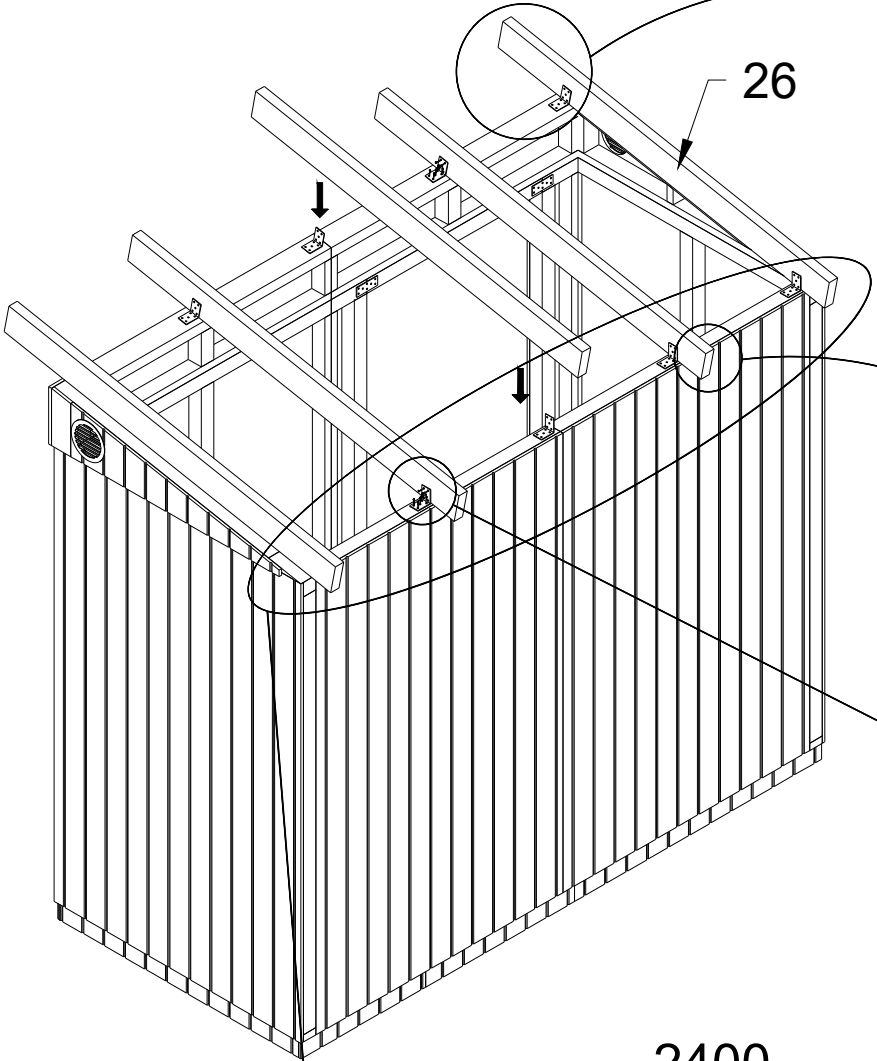
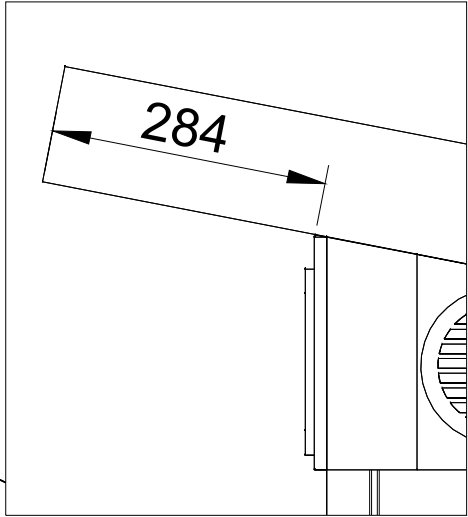
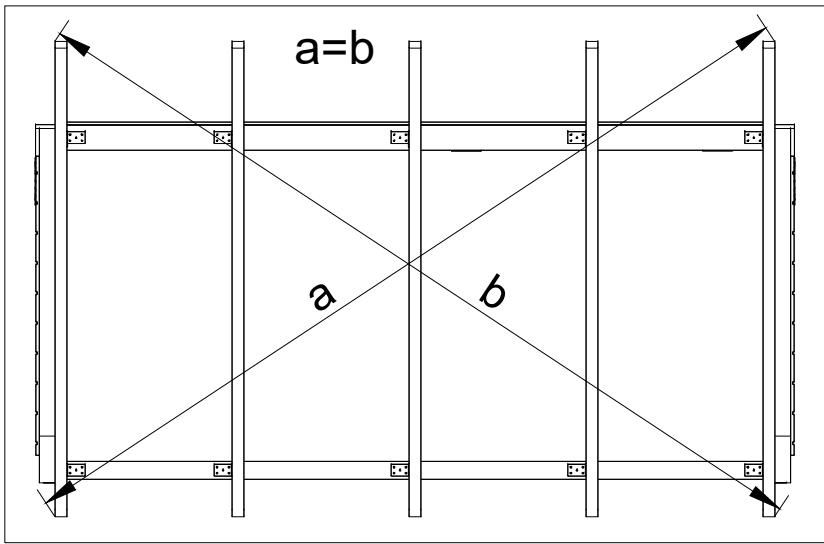
C x2

F x12

8

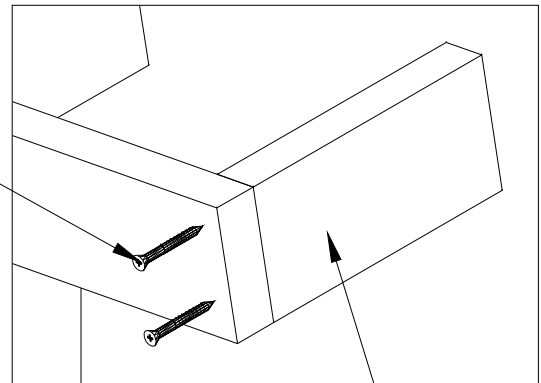


8



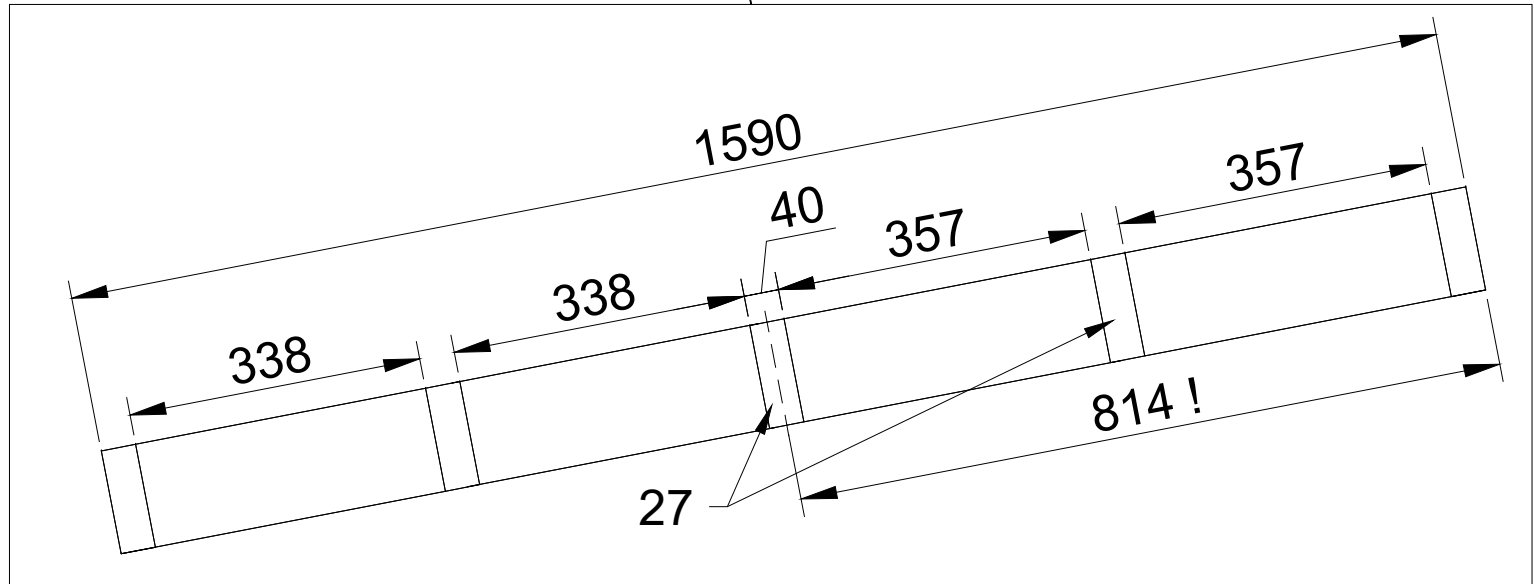
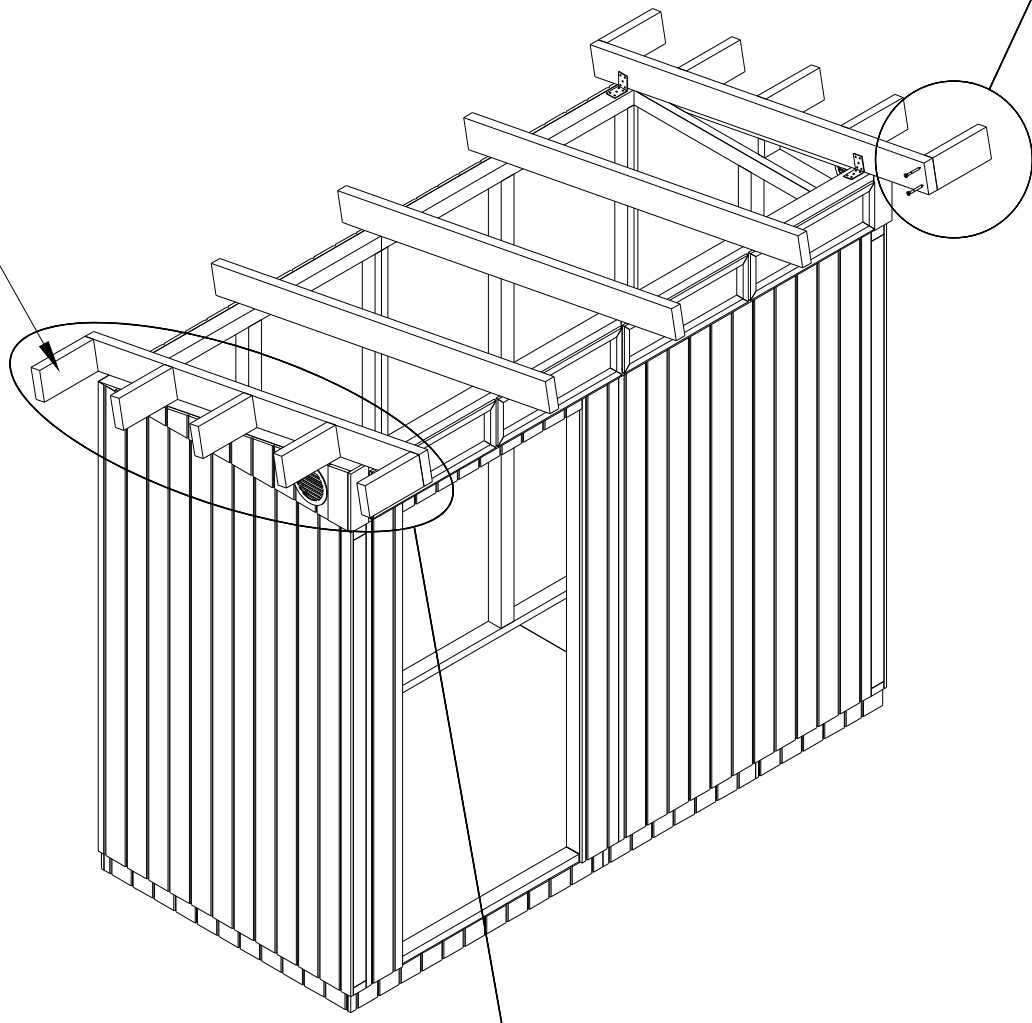
9

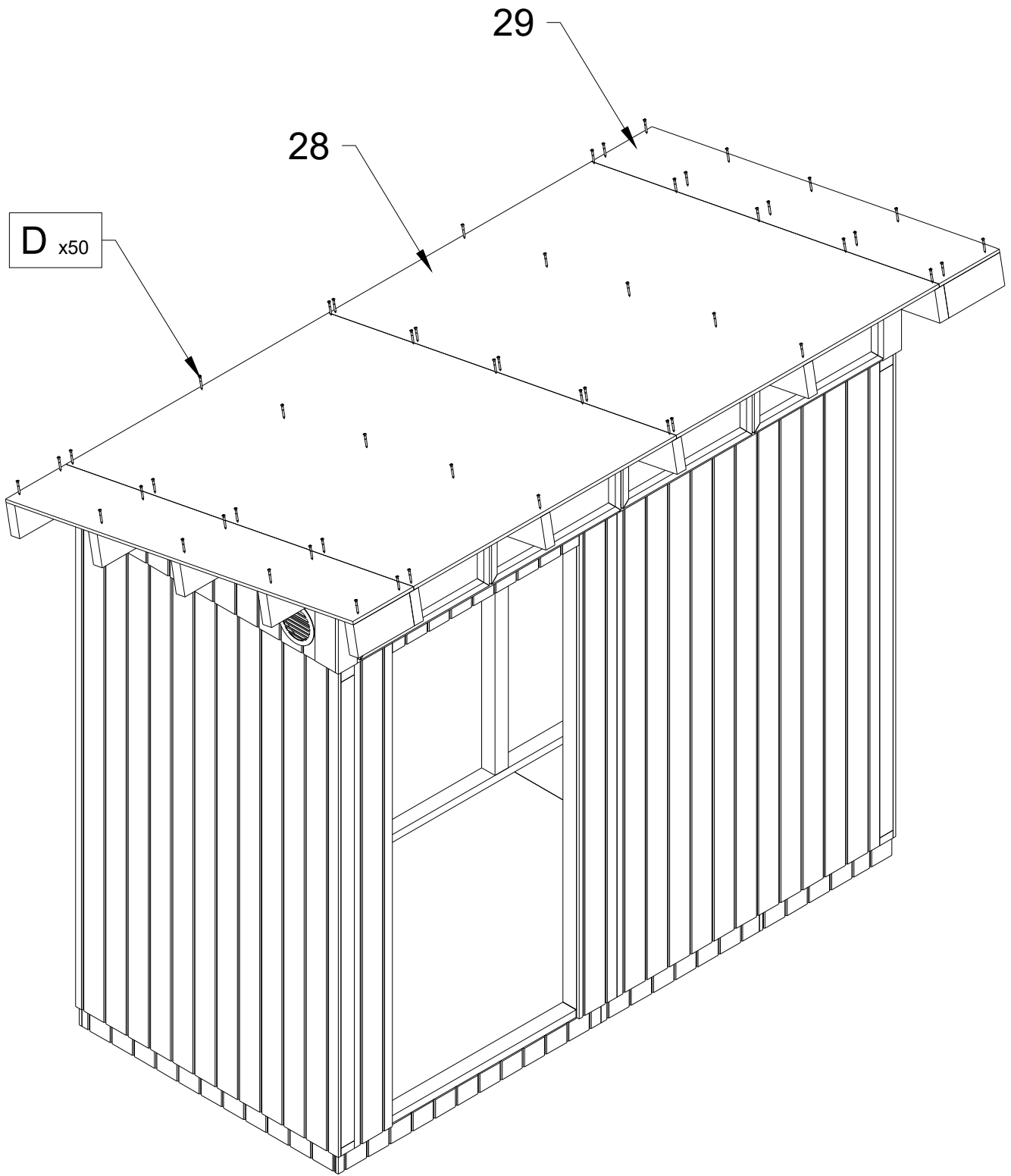
A x20

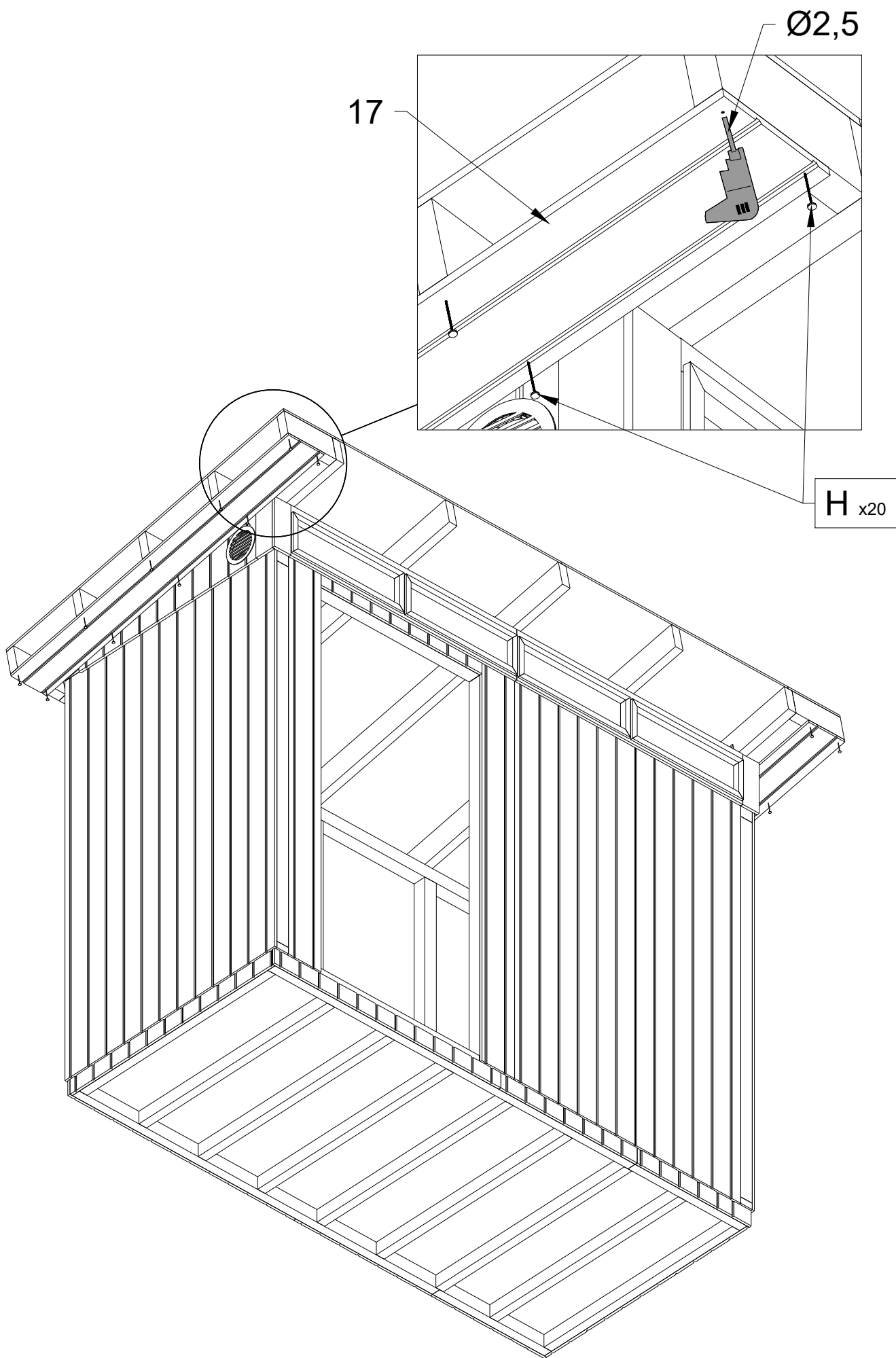


27

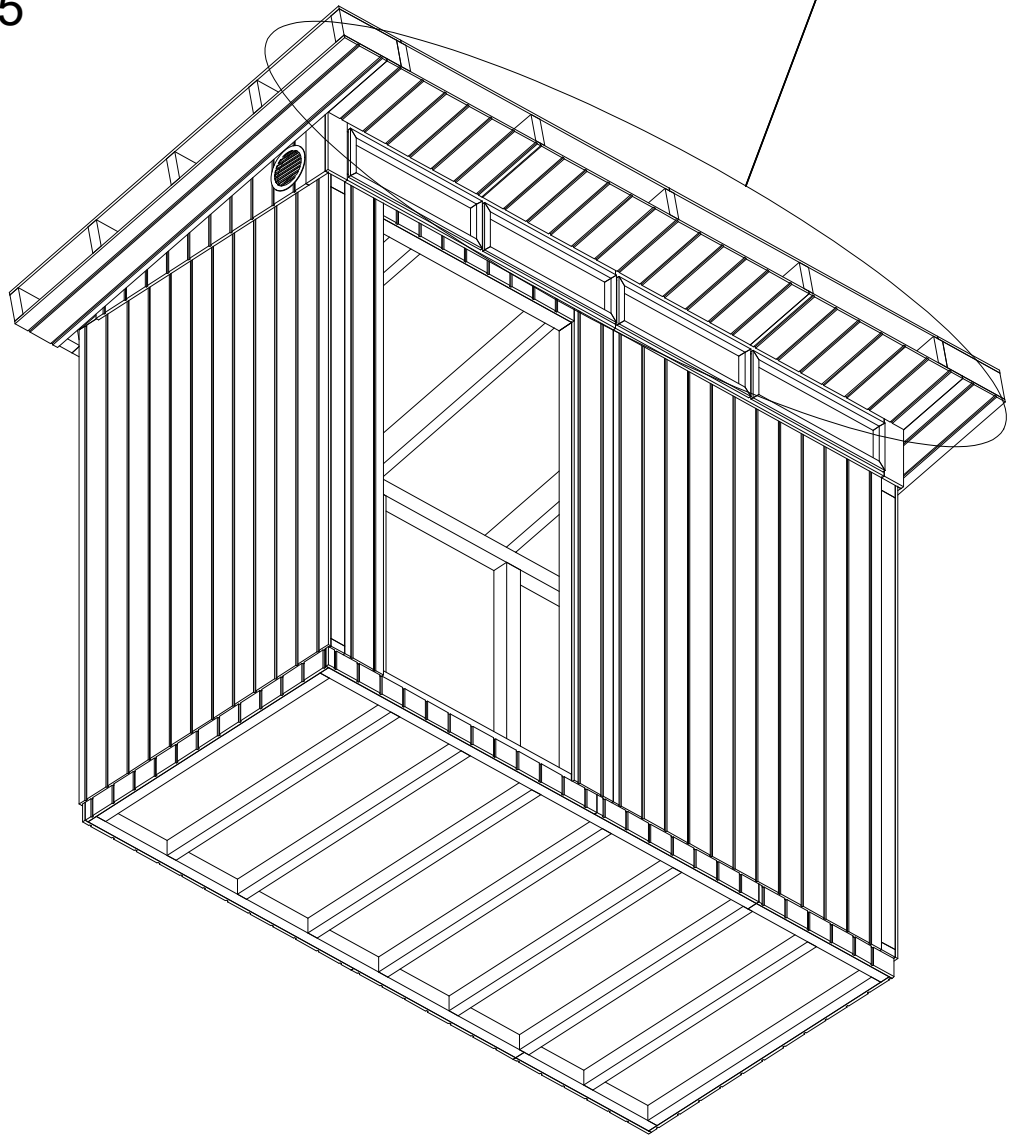
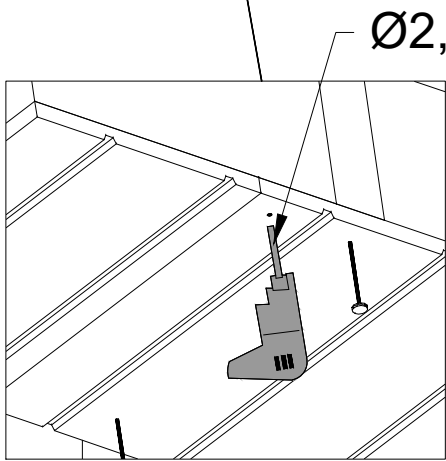
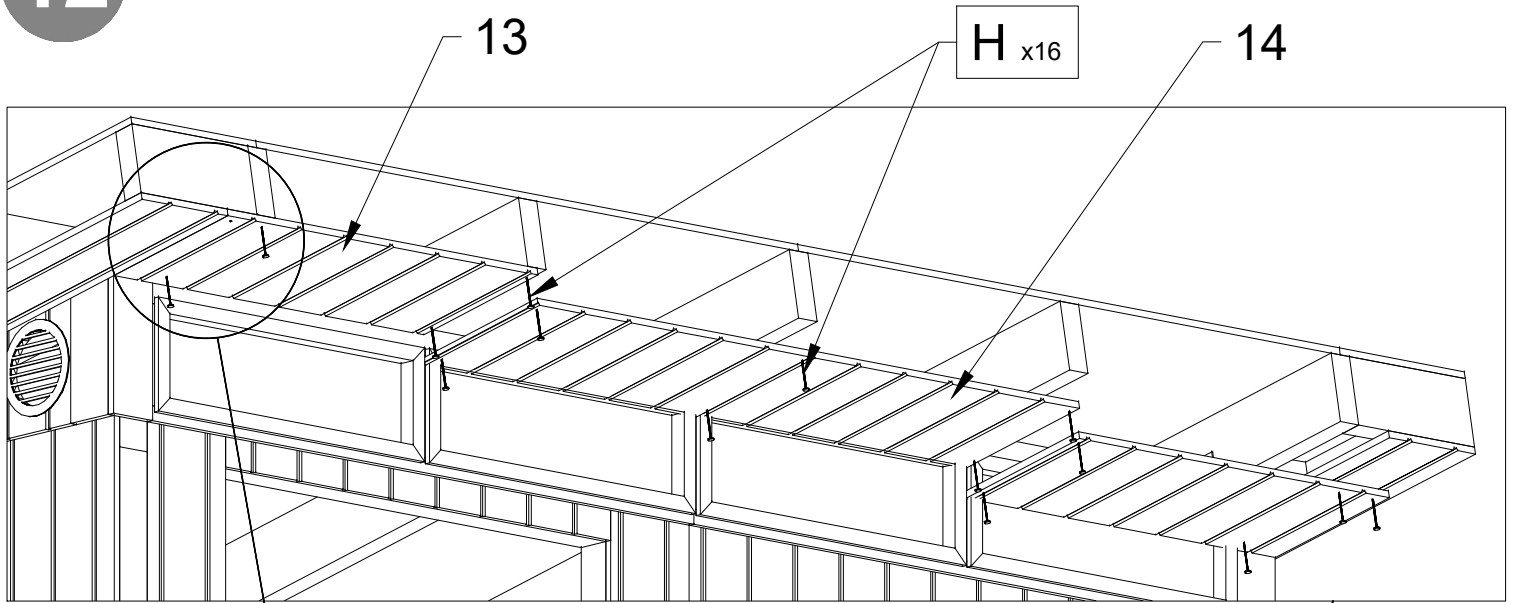
27



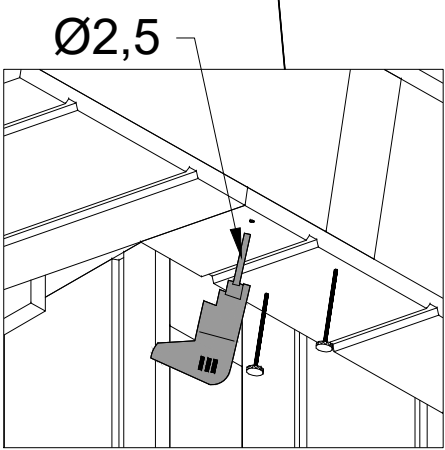
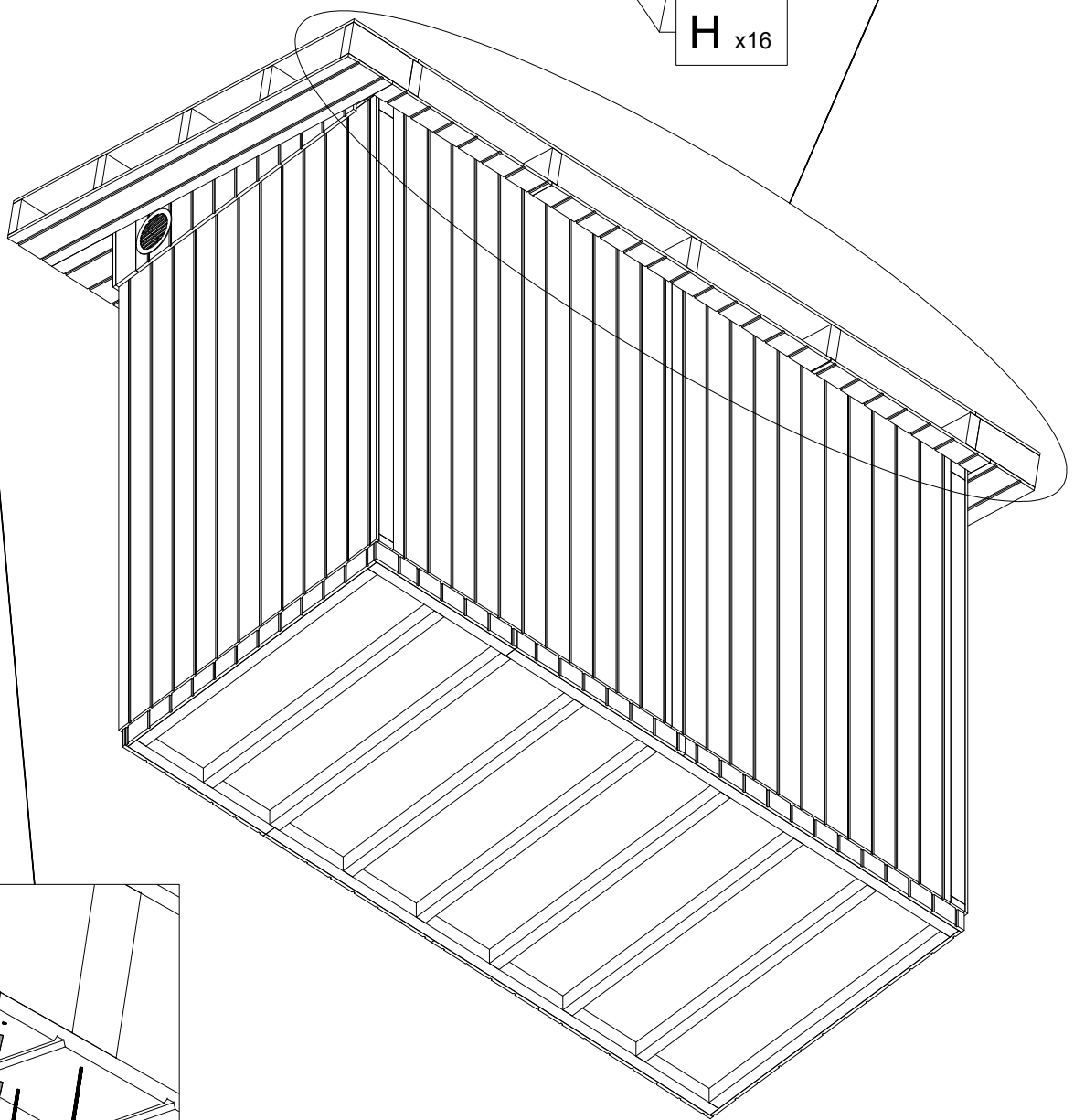
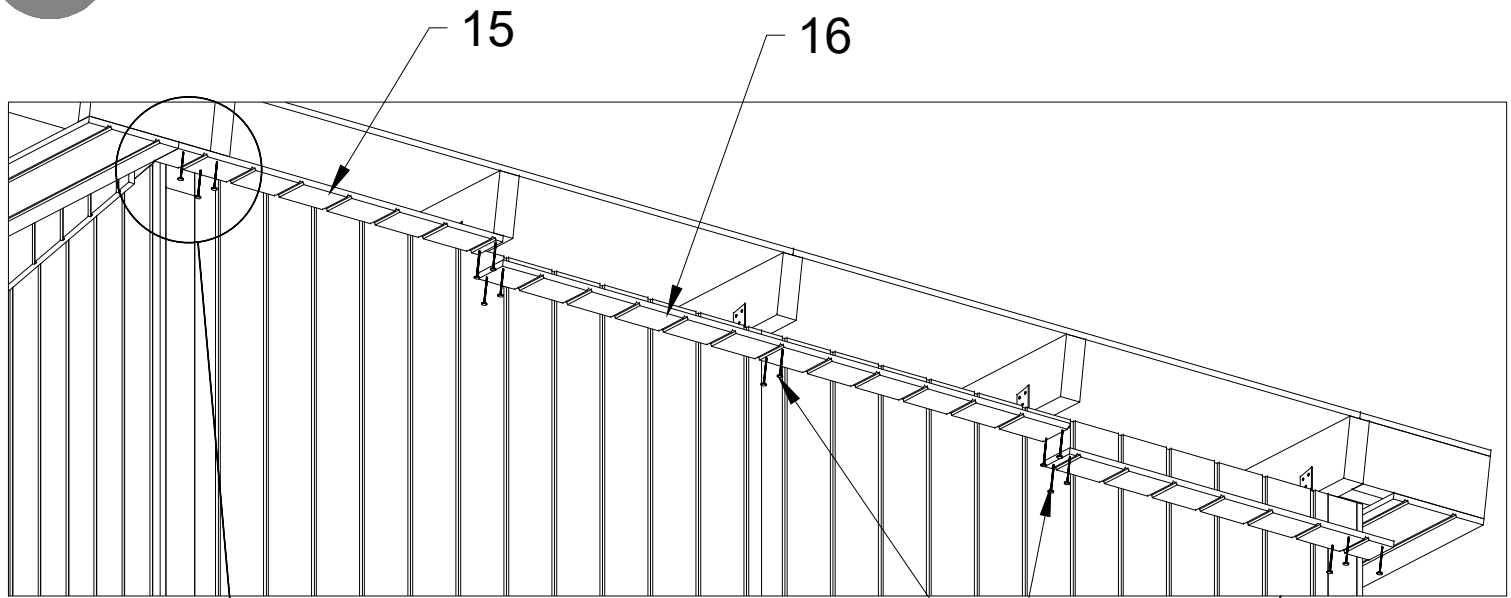




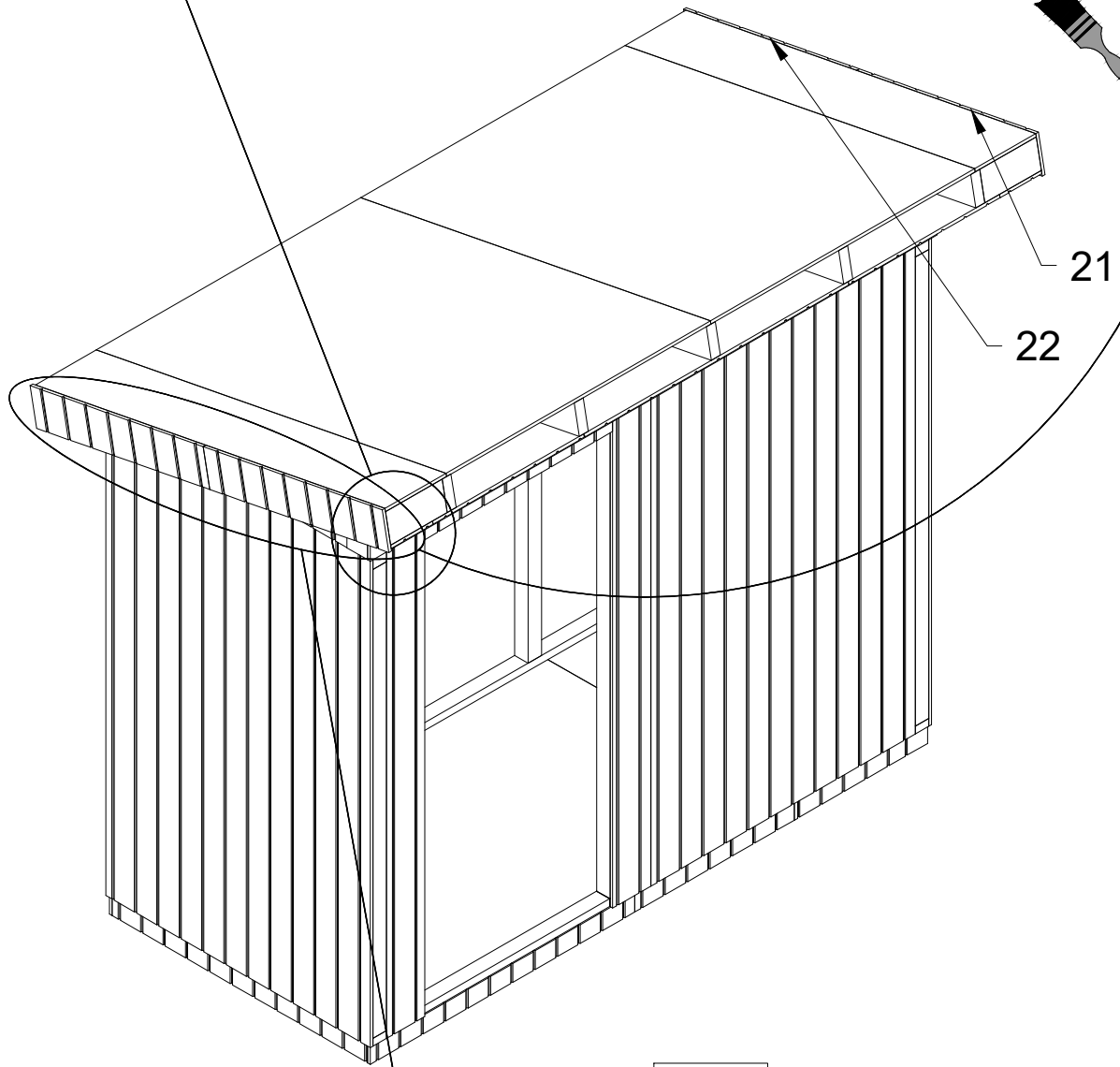
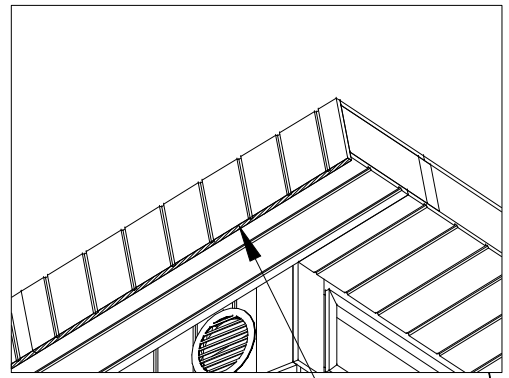
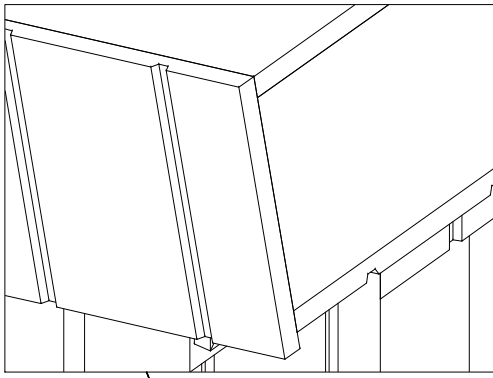
12



13



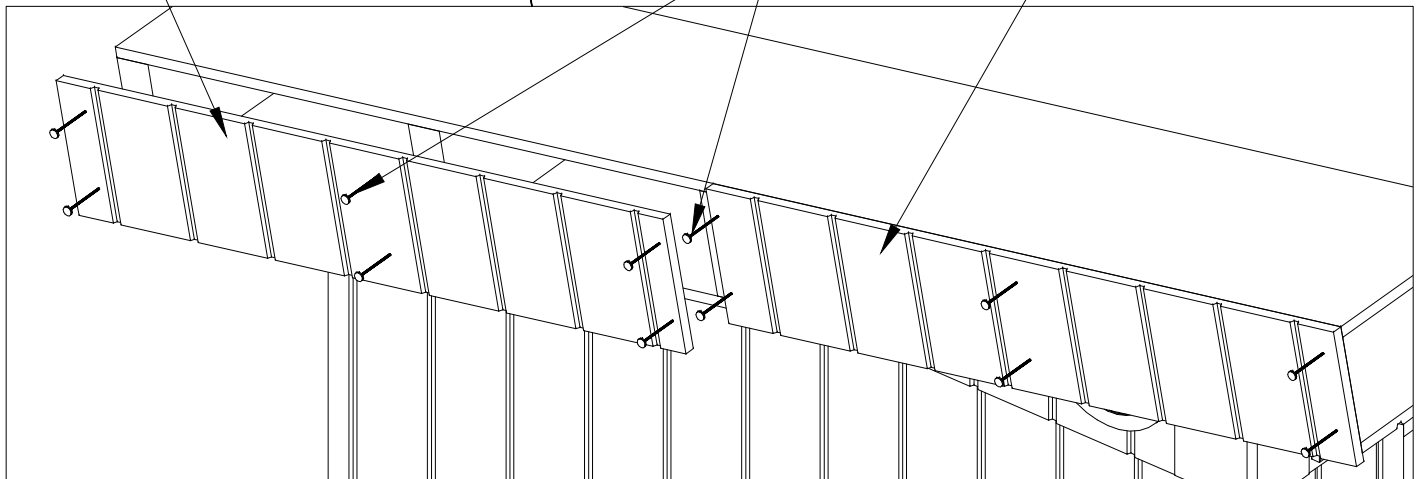
14



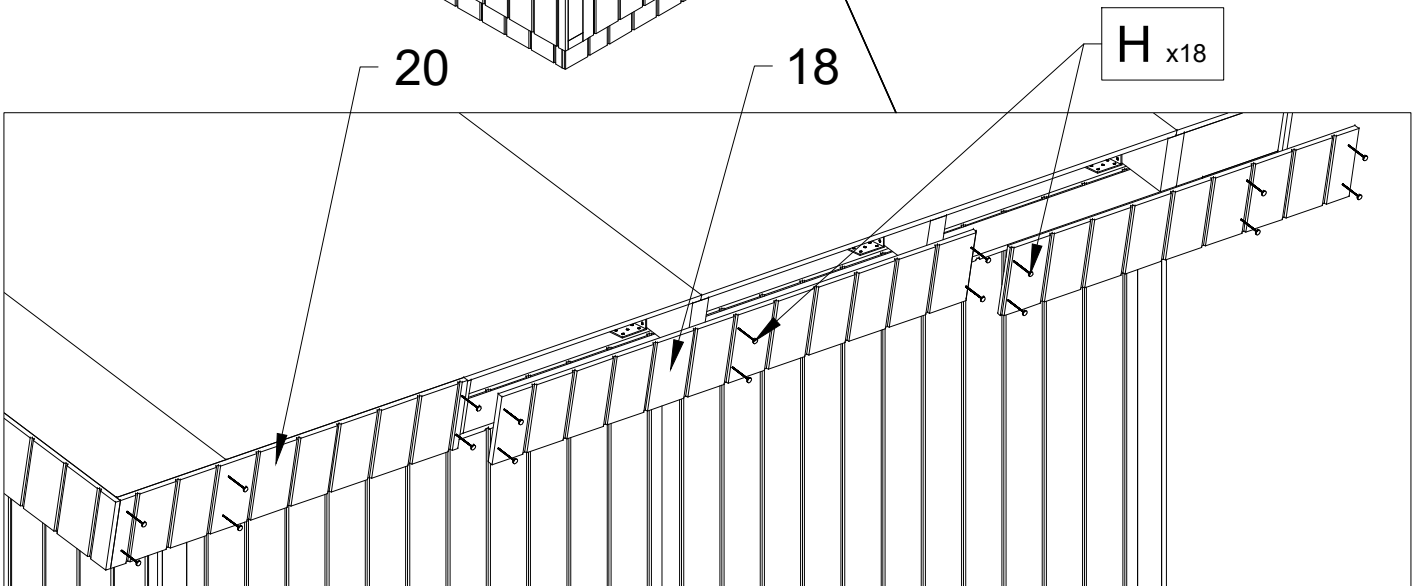
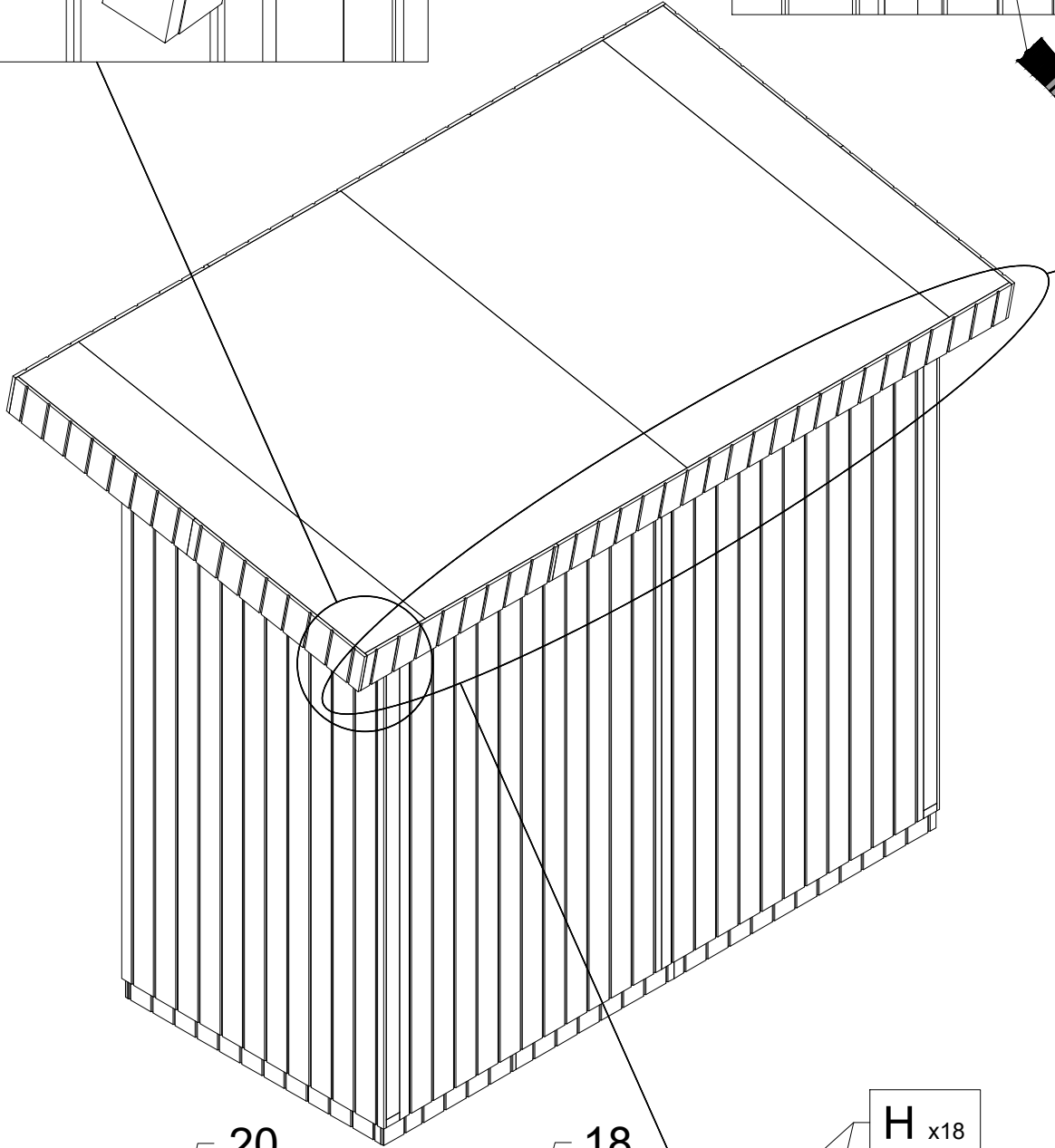
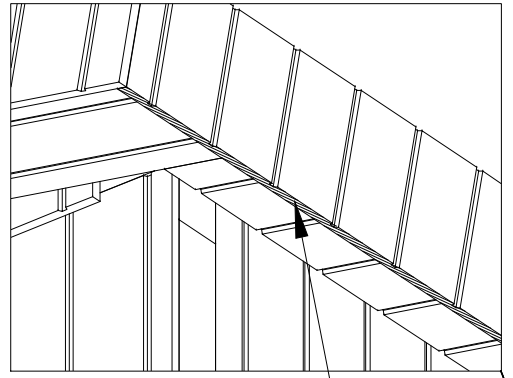
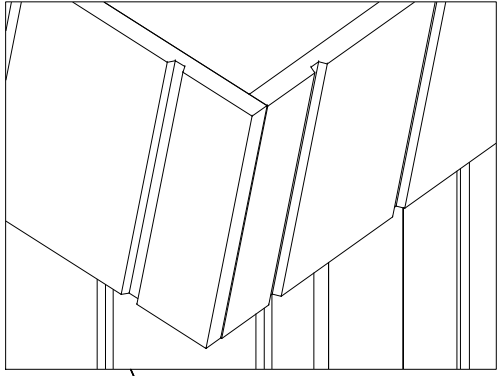
22

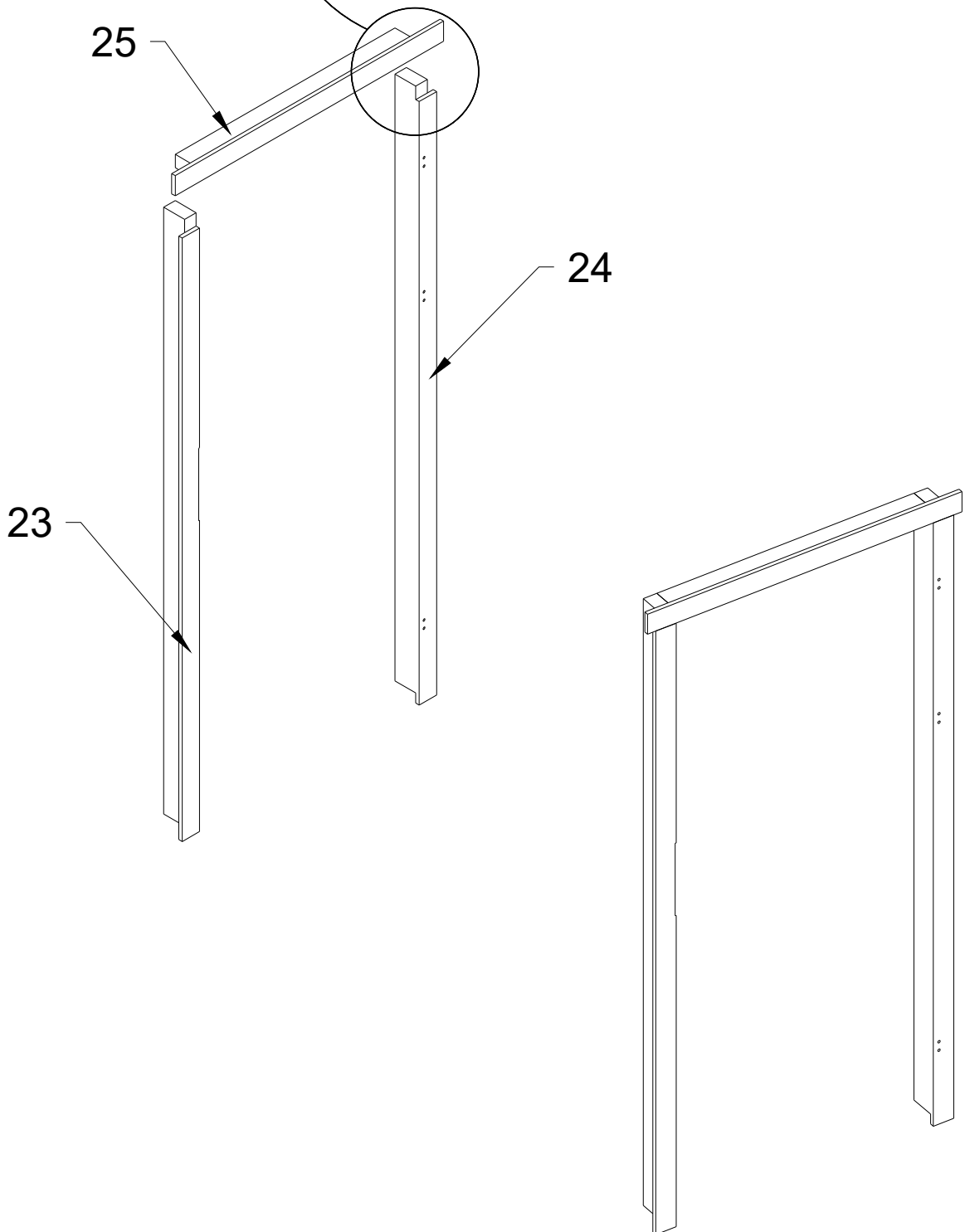
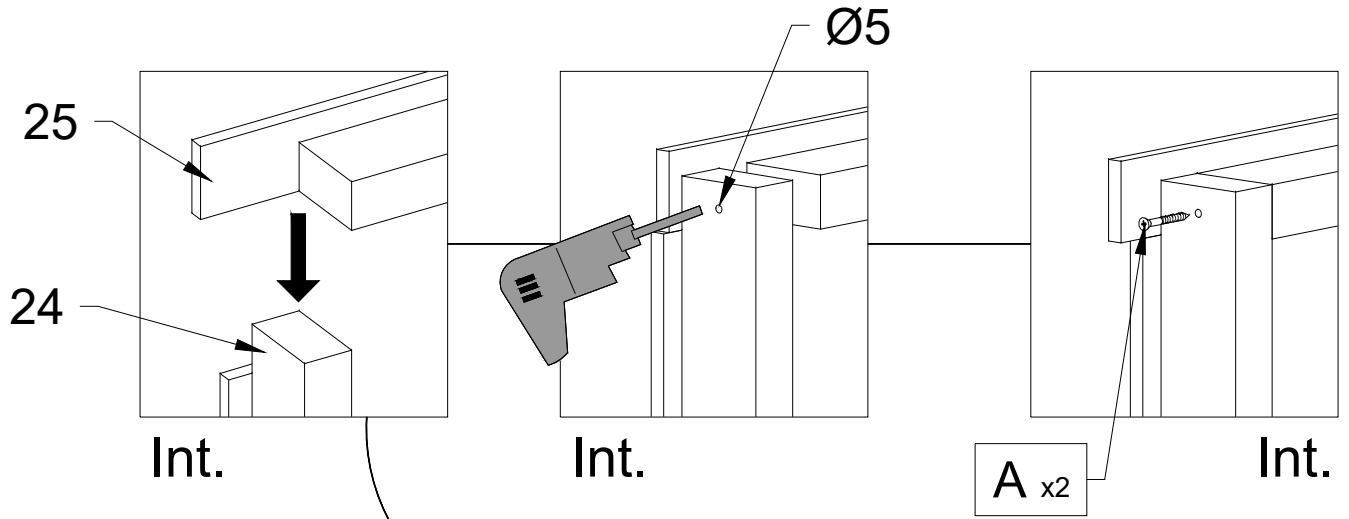
H x24

21

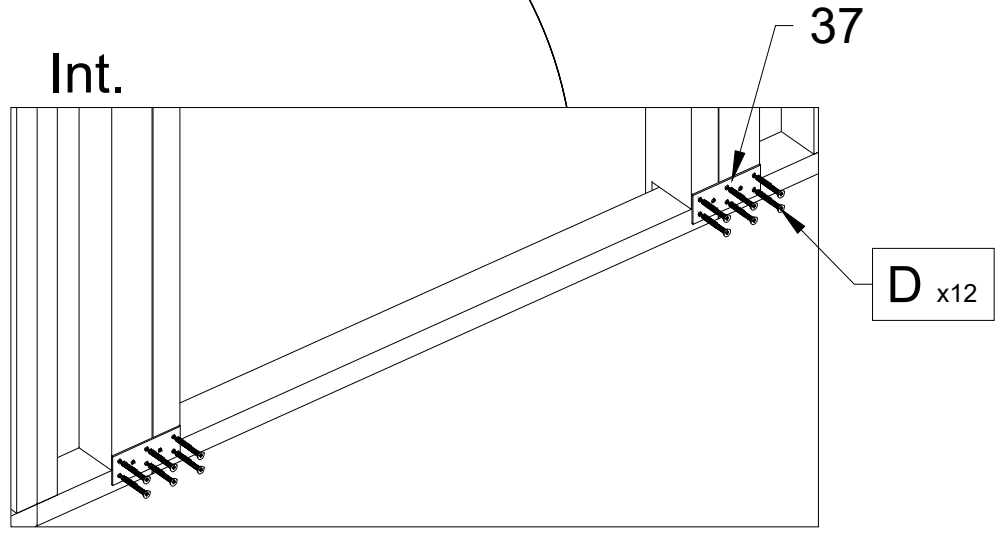
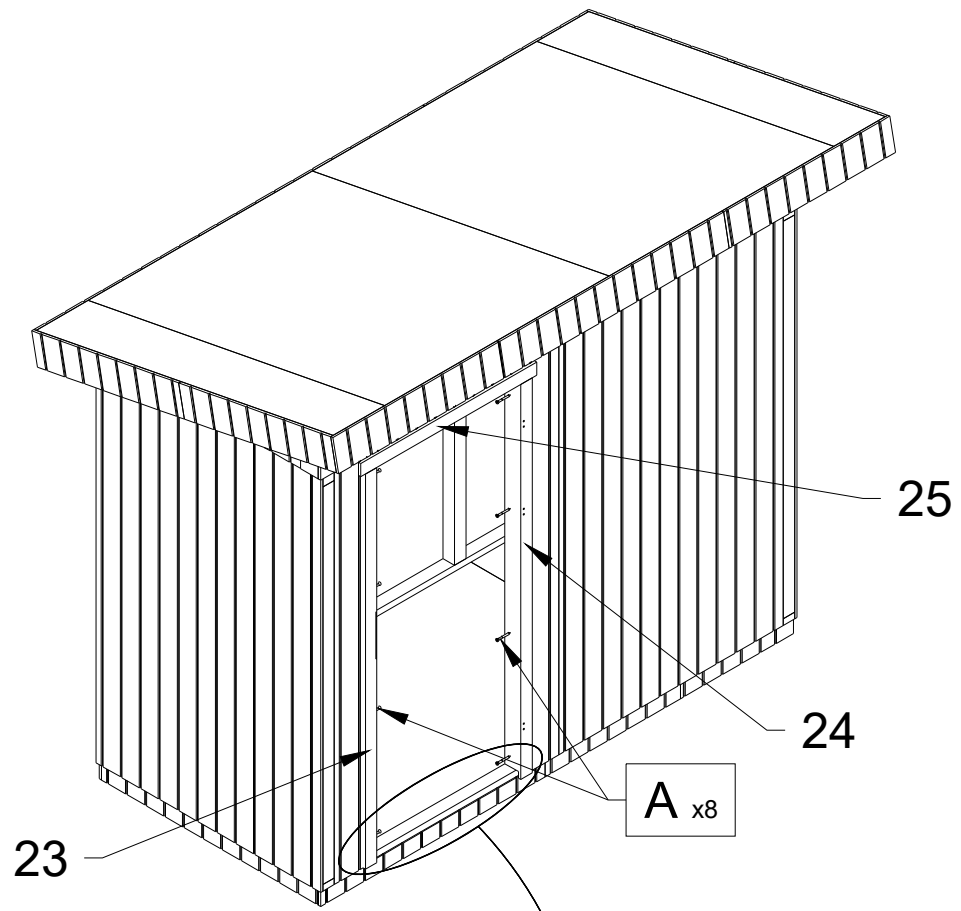
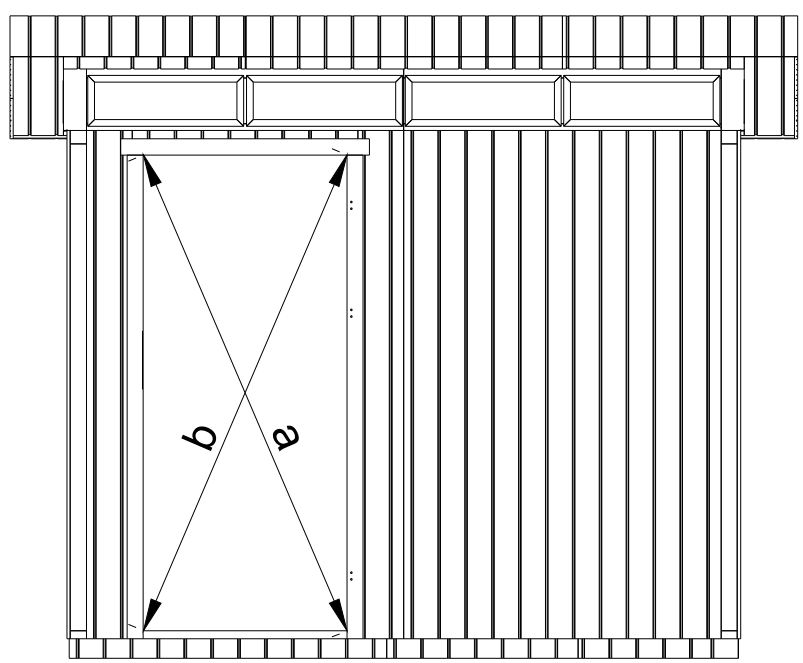


16





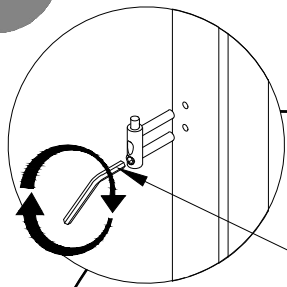
a=b



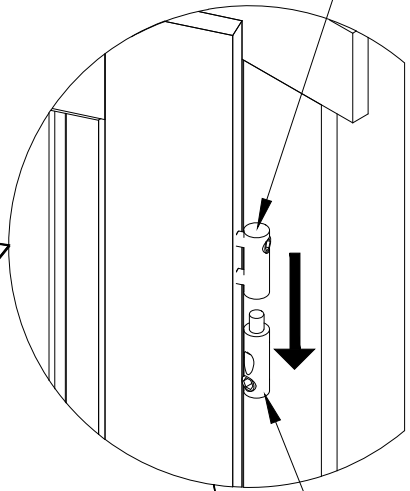
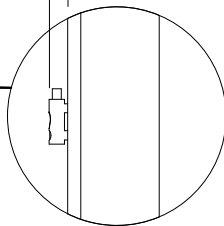
19

14-19mm

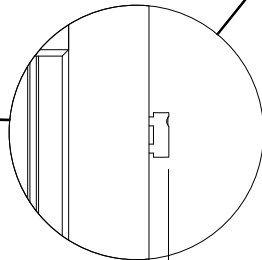
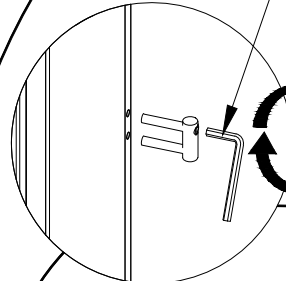
39



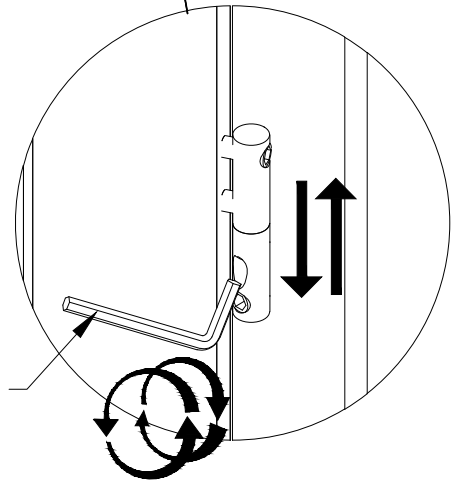
42



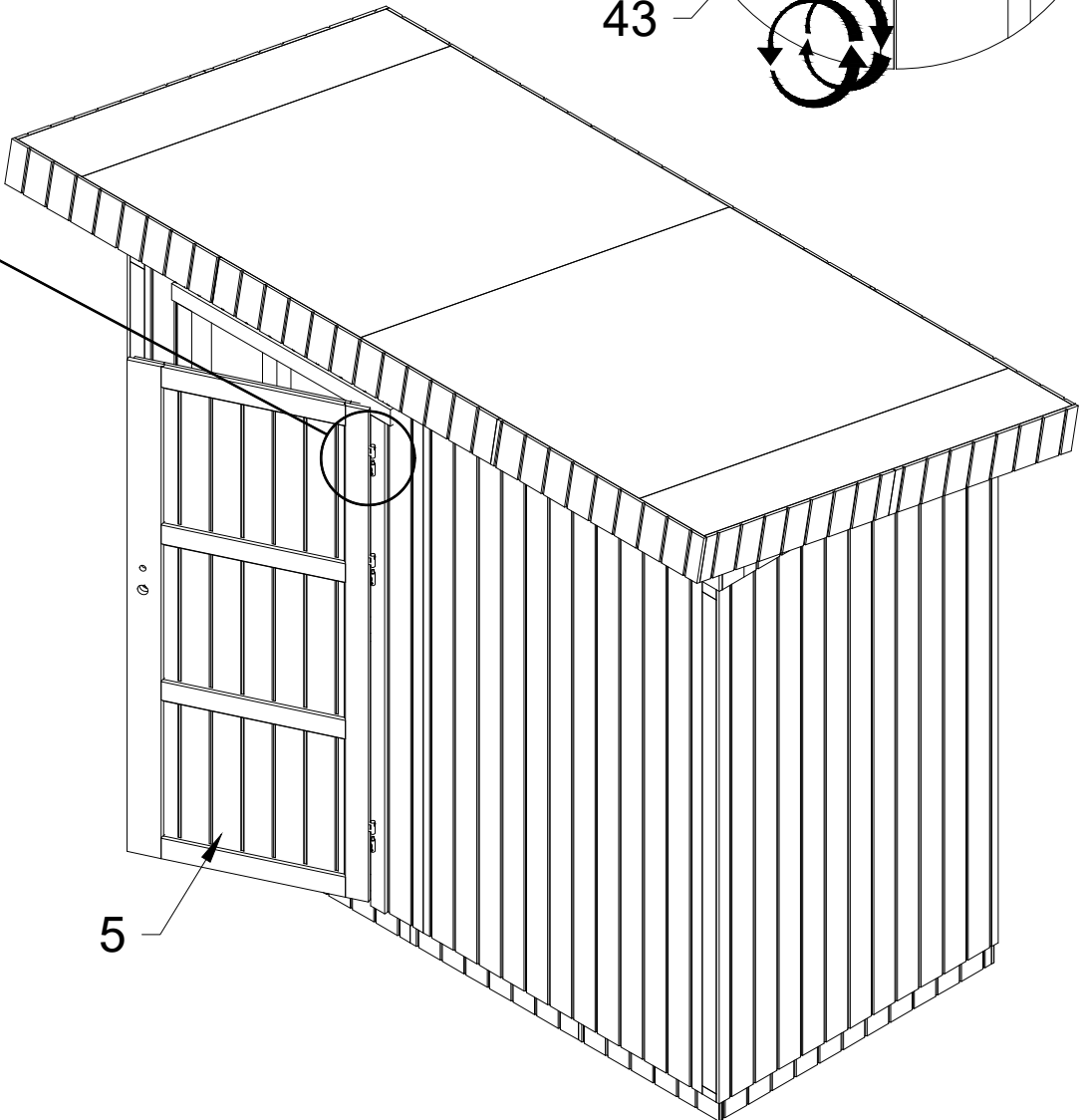
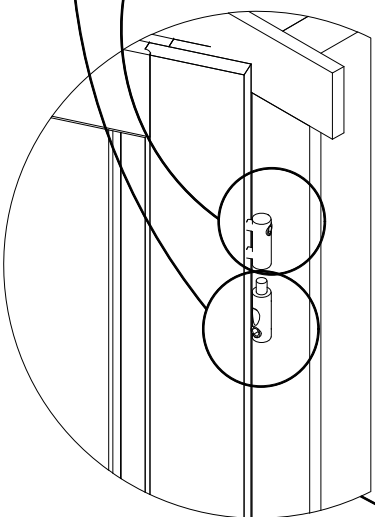
39.1



14-19mm



43



5

